

US00D734549S

(12) **United States Design Patent**
Waller

(10) **Patent No.:** **US D734,549 S**
(45) **Date of Patent:** **** Jul. 14, 2015**

- (54) **PORTABLE COSMETICS WORKSTATION**
- (71) Applicant: **Wendy G. Waller**, Atlanta, GA (US)
- (72) Inventor: **Wendy G. Waller**, Atlanta, GA (US)
- (**) Term: **14 Years**
- (21) Appl. No.: **29/500,528**
- (22) Filed: **Aug. 26, 2014**

D358,708 S *	5/1995	Ko	D3/276
D361,430 S *	8/1995	Mohundro	D3/297
D396,972 S *	8/1998	Van De Oudeweetering	.	D6/433
5,941,255 A *	8/1999	Chen	132/315
D594,247 S *	6/2009	Estephan	D6/433
D618,854 S *	6/2010	Lin	D28/83
D656,678 S *	3/2012	Lai	D28/83
D657,915 S *	4/2012	Lai	D28/83
D687,634 S *	8/2013	Greenfield	D3/294
D692,183 S *	10/2013	Lai	D28/73
D713,995 S *	9/2014	Felder	D28/75

* cited by examiner

Related U.S. Application Data

- (63) Continuation-in-part of application No. 29/467,301, filed on Sep. 18, 2013.
- (51) **LOC (10) Cl.** **28-03**
- (52) **U.S. Cl.**
USPC **D28/83**; D28/73; D6/666; D3/901
- (58) **Field of Classification Search**
USPC D28/9, 10, 11, 73, 76, 17, 20, 38, 77, D28/99, 75, 41, 83, 44; 248/121, 519, 248/188.7, 523; D6/677.3, 405, 682.6, D6/682.5, 666; D10/125; D24/233, 128, D24/214, 194; D3/27, 23, 24, 205, 215, D3/224, 229, 284, 295, 296, 901-905, 201, D3/203.3; 132/273, 56; 112/169; D16/242, D16/249; 211/85.23, 70.6; D4/127, 128, D4/114, 138; 606/234; D21/682; D18/15; 224/245, 148.4, 148.6; D7/609
CPC D05B 97/02; D05B 97/06; A47K 1/08; A47F 5/08; A47F 5/02; A47F 5/04; A47F 3/16; A47F 3/18
See application file for complete search history.

Primary Examiner — Marianne Pandozzi

(74) *Attorney, Agent, or Firm* — Allen Dyer Doppelt Milbrath & Gilchrist

(57) **CLAIM**

The ornamental design for a portable cosmetics workstation, as shown and described.

DESCRIPTION

FIG. 1 is a top front left perspective view of a portable cosmetics workstation showing my new design;
 FIG. 2 is a front view thereof;
 FIG. 3 is a rear view thereof;
 FIG. 4 is a right side view thereof;
 FIG. 5 is a left side view thereof;
 FIG. 6 is a top plan view thereof;
 FIG. 7 is a bottom plan view thereof;
 FIG. 8 is a top front left perspective view thereof in open position;
 FIG. 9 is a top front right perspective view in open position;
 FIG. 10 is a front view thereof in open position;
 FIG. 11 is a rear view in open position;
 FIG. 12 is a right side view thereof;
 FIG. 13 is a left side view thereof;
 FIG. 14 is a top plan view thereof; and,
 FIG. 15 is a bottom plan view thereof.

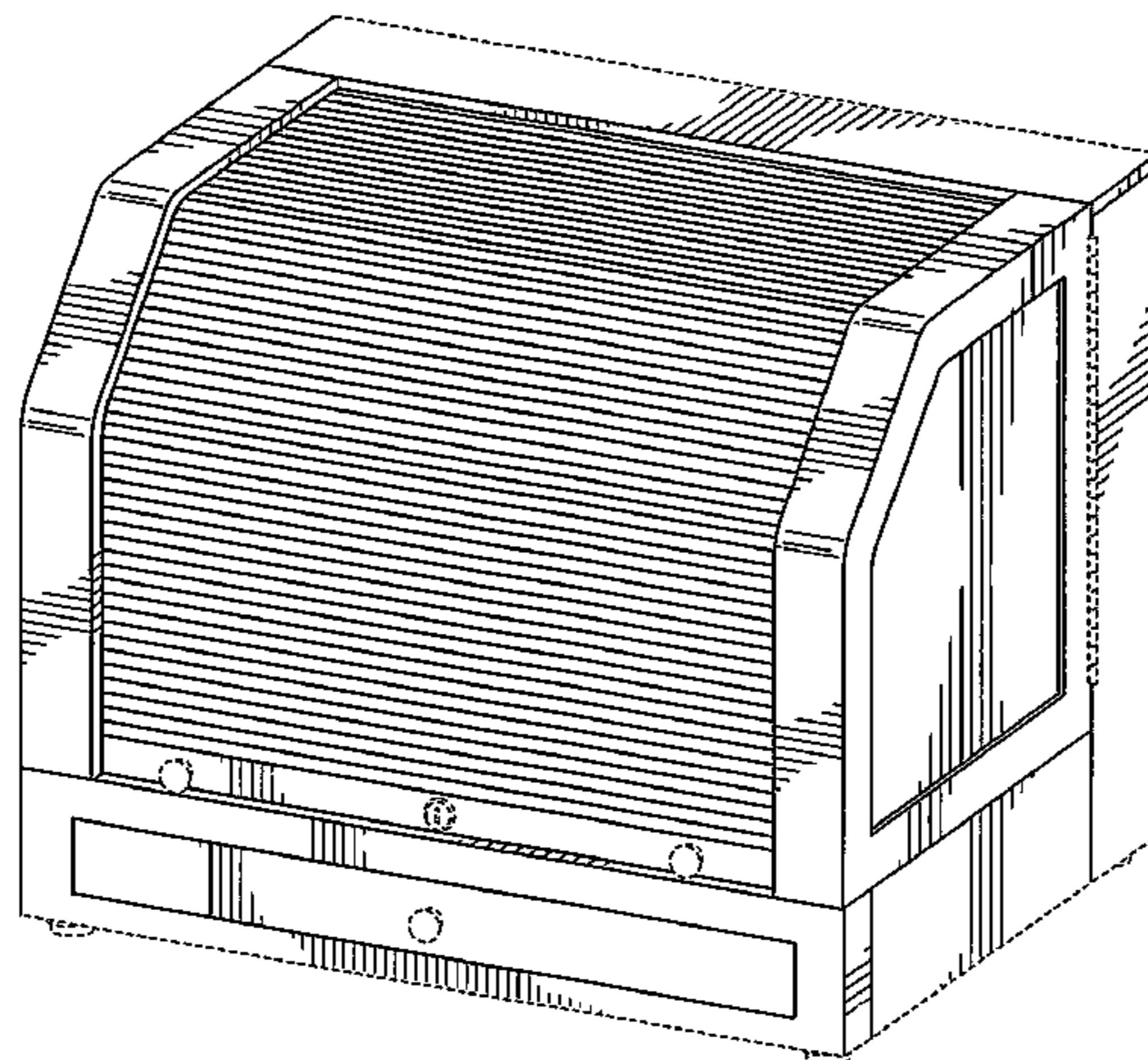
The broken lines in the drawings are included for the purpose of illustration and form no part of the claimed design.

1 Claim, 11 Drawing Sheets

(56) **References Cited**

U.S. PATENT DOCUMENTS

D212,661 S *	11/1968	Giglluto	D3/275
3,856,656 A *	12/1974	Brink	204/616
D286,126 S *	10/1986	Driscoll	D7/609
D290,536 S *	6/1987	Nadel	D28/83
D320,321 S *	10/1991	Terrell	D6/666



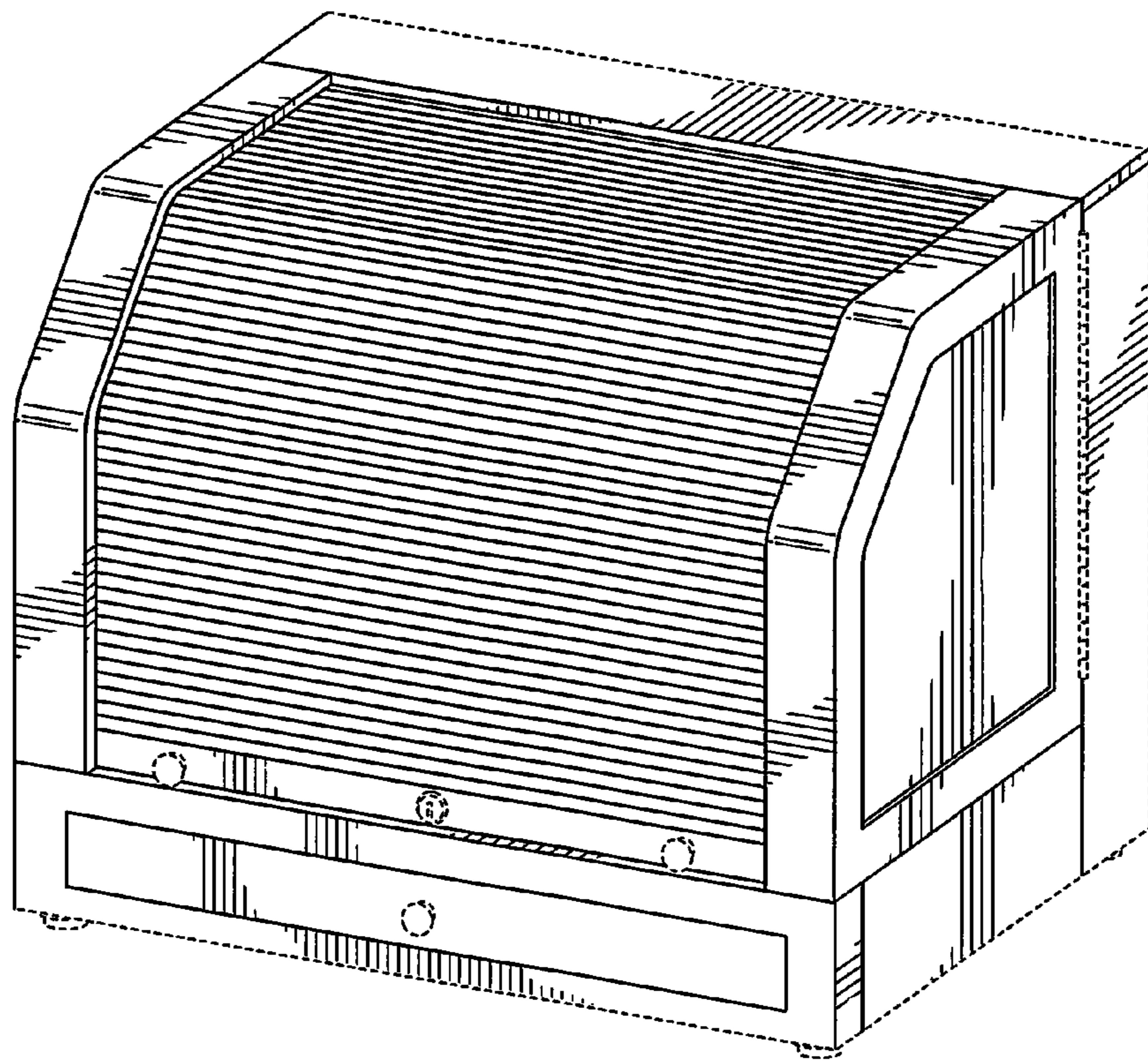


FIG. 1

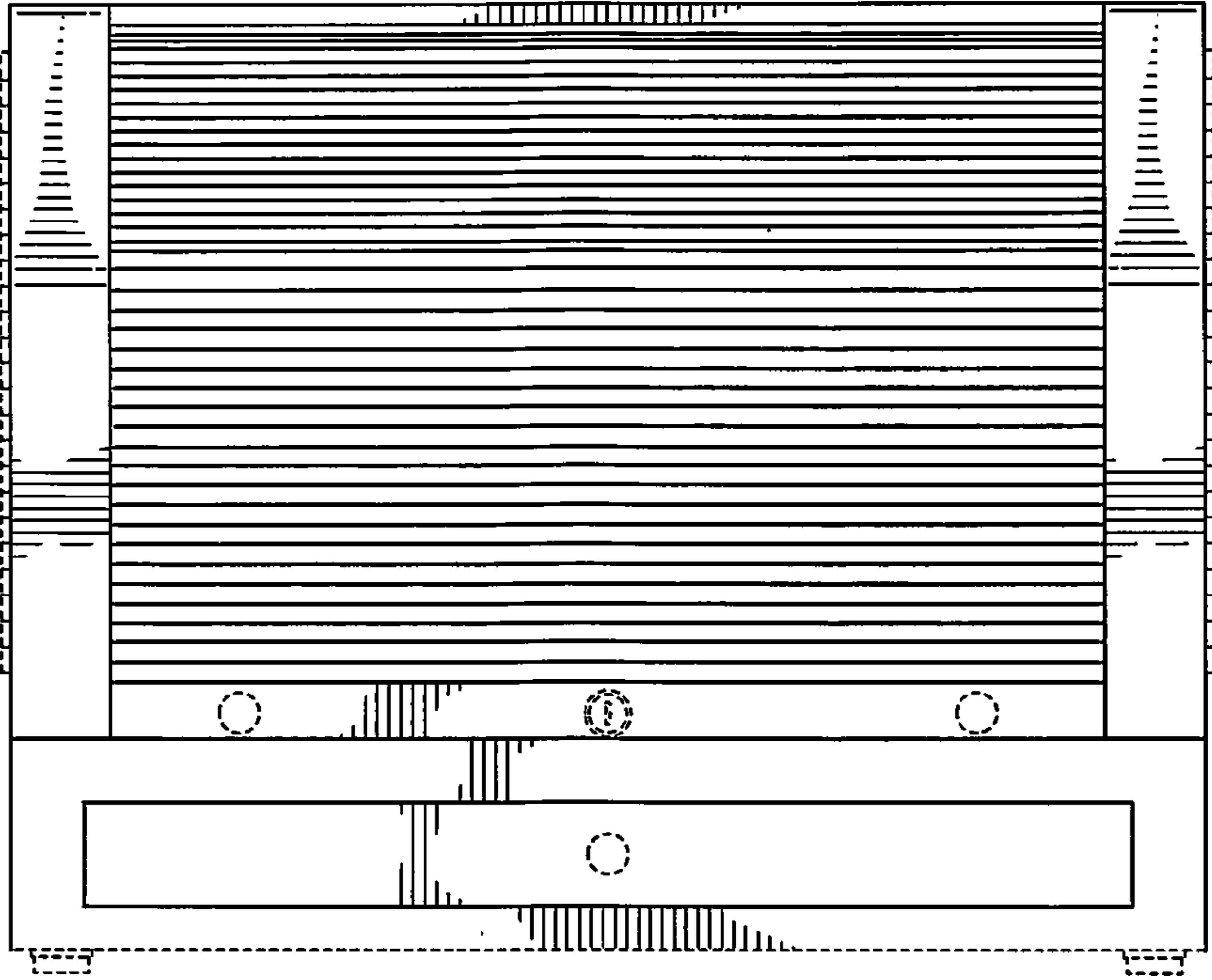


FIG. 2

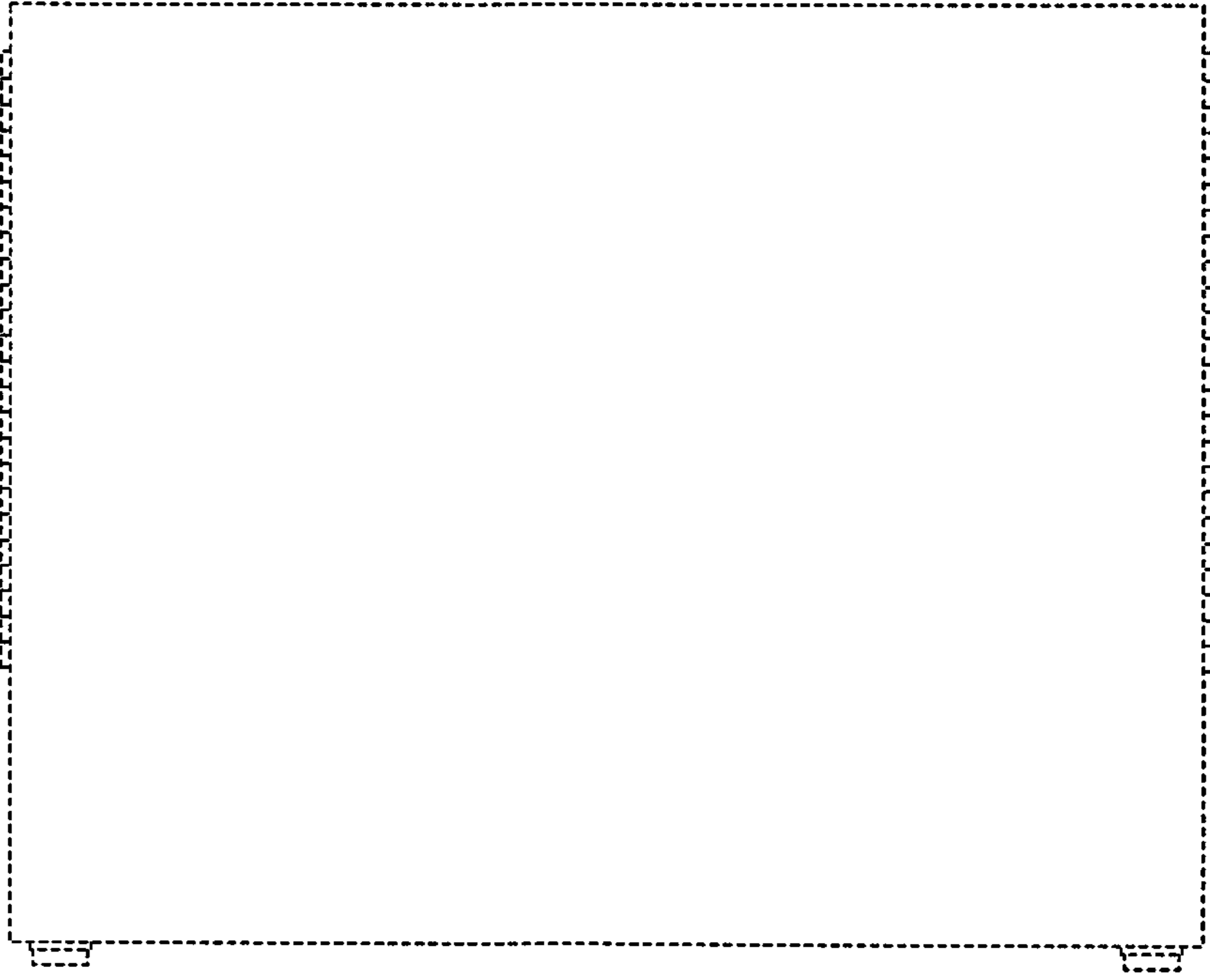


FIG. 3

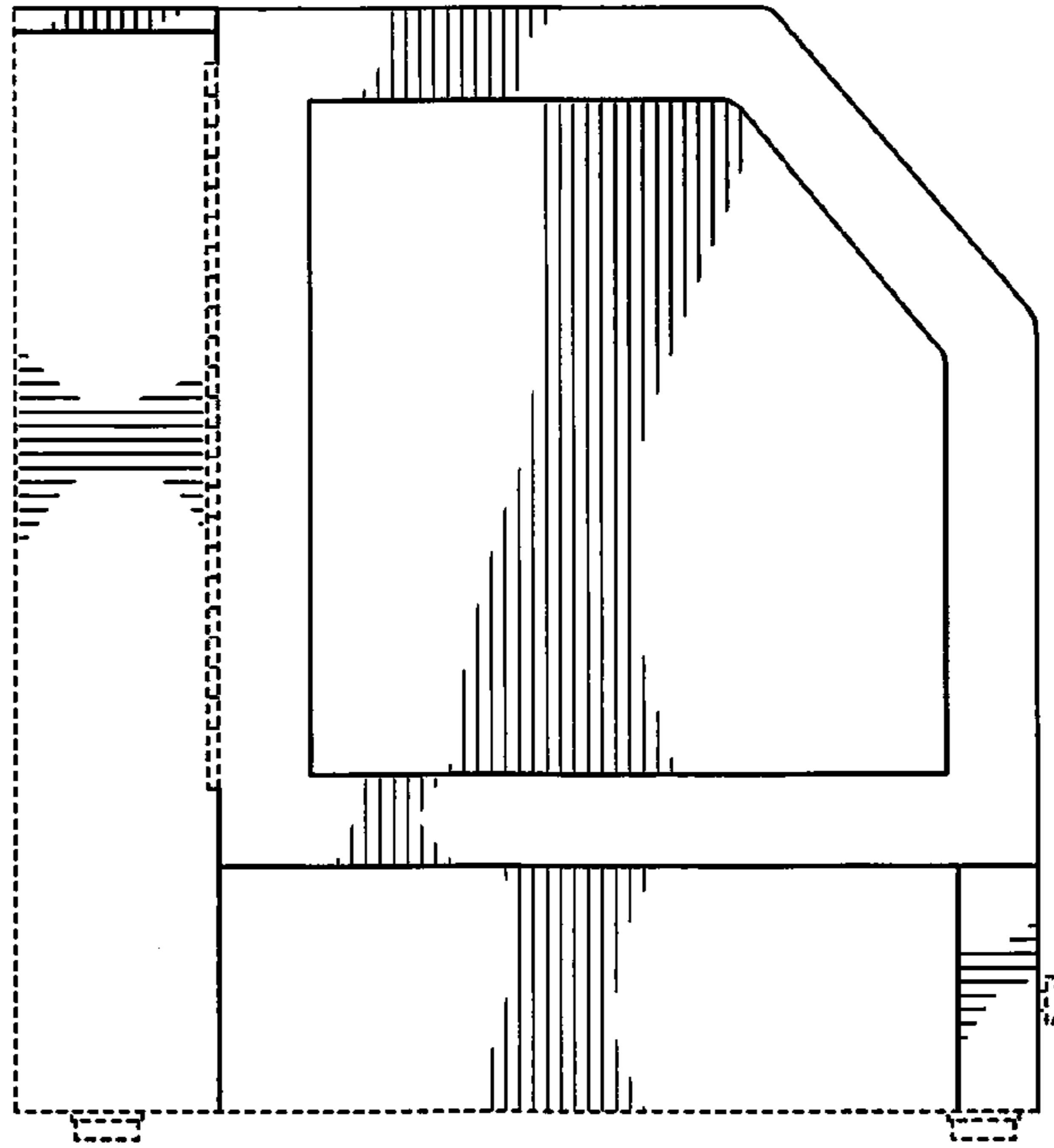


FIG. 4

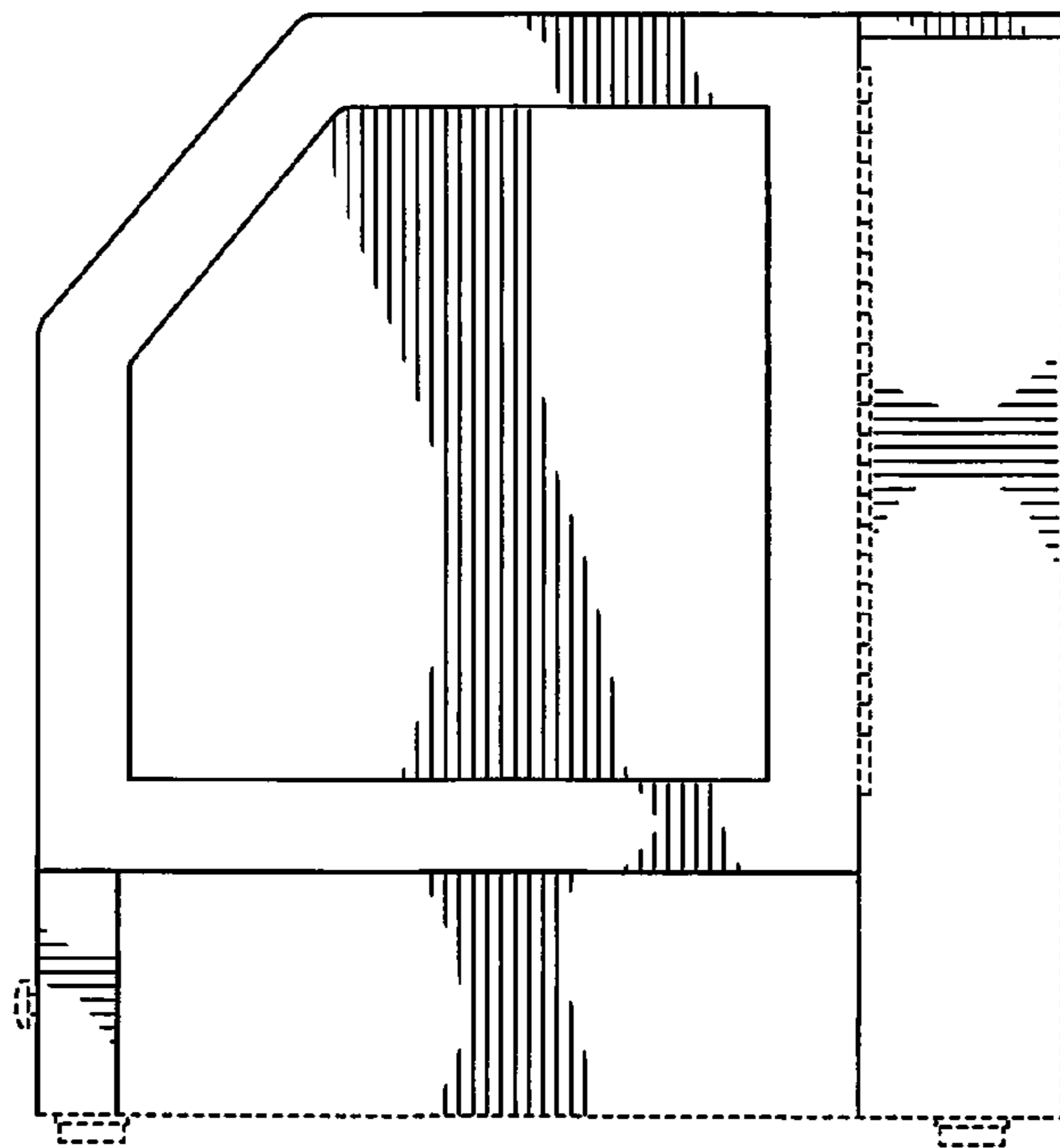


FIG. 5

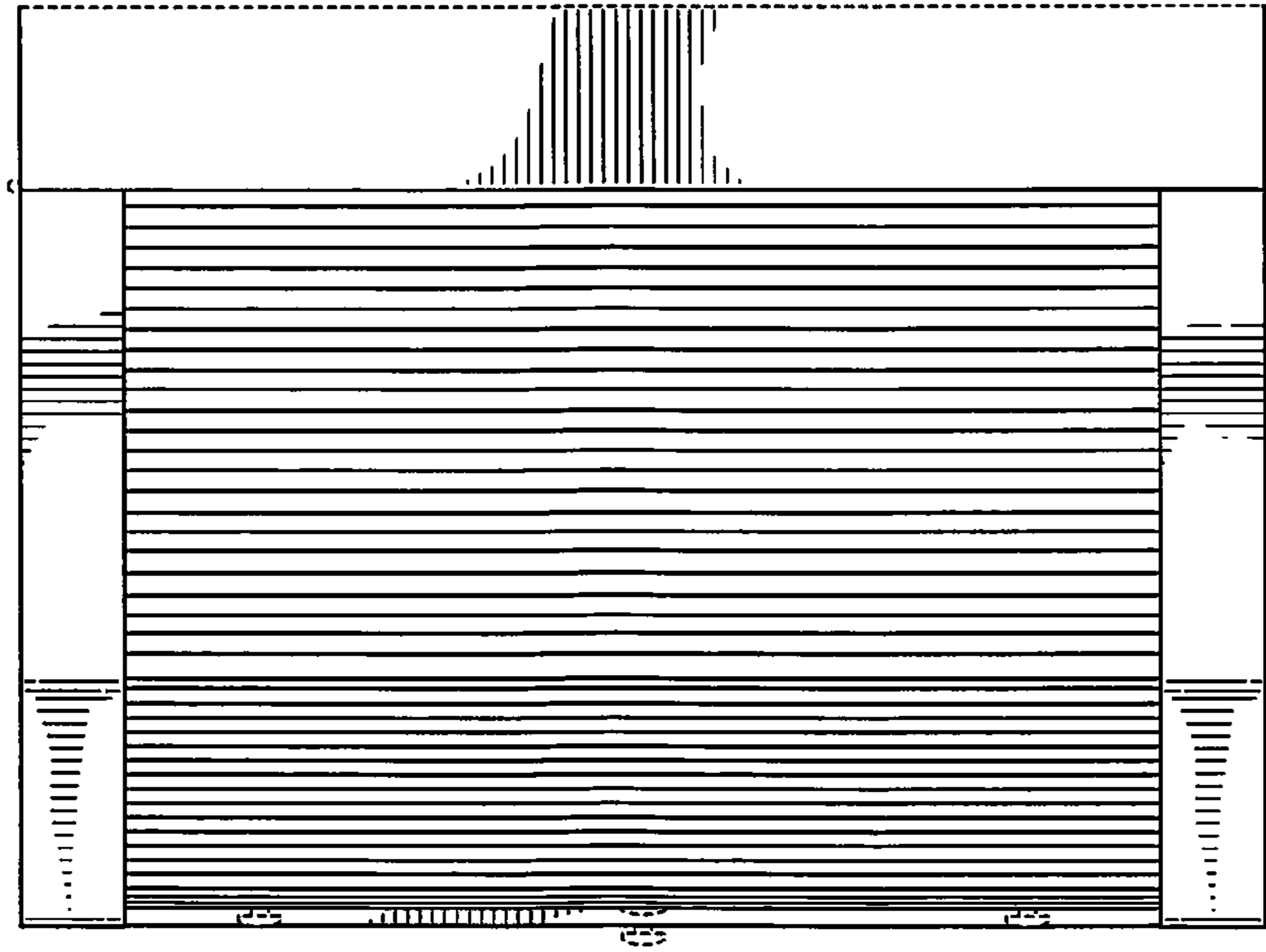


FIG. 6

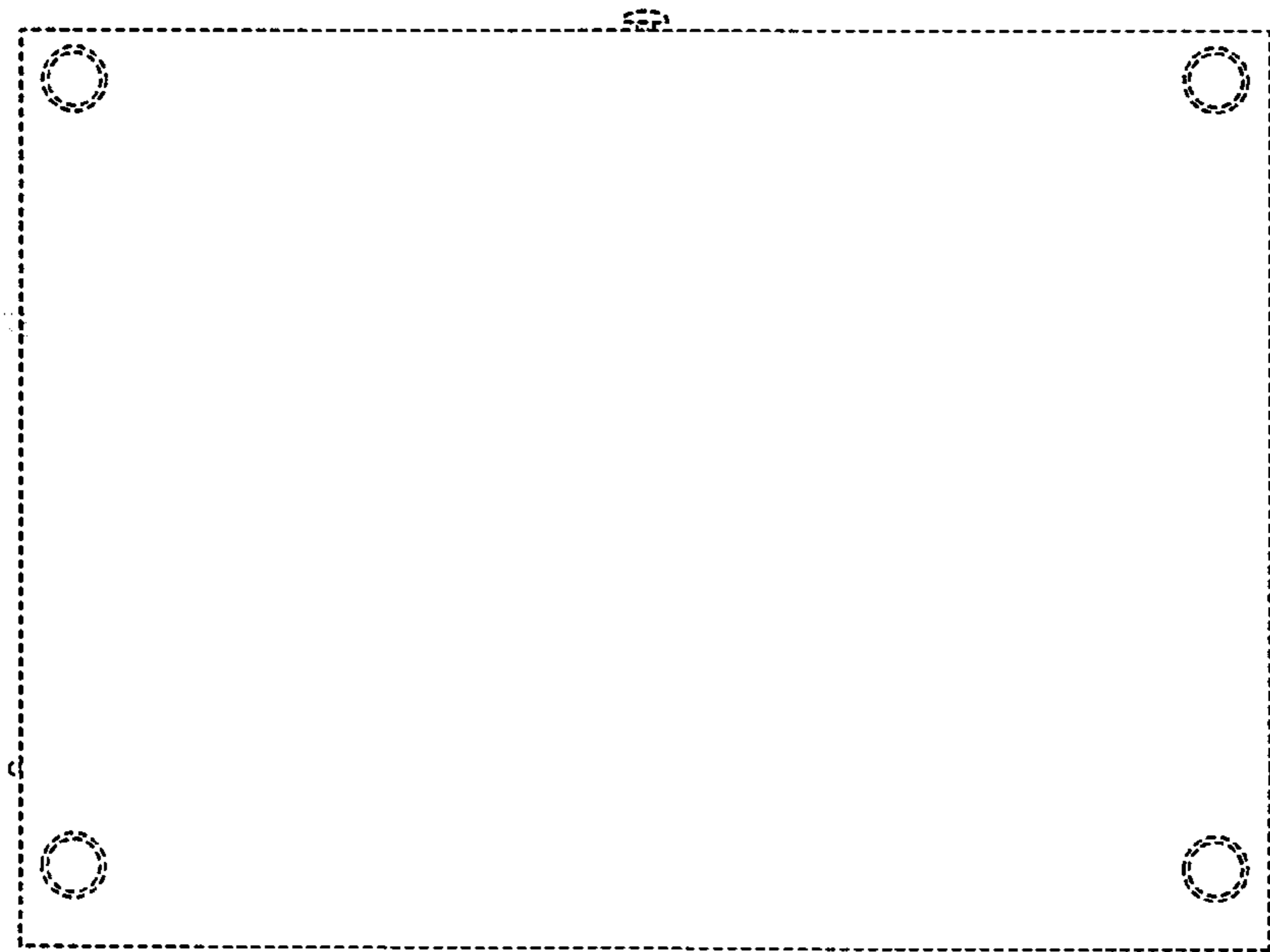


FIG. 7

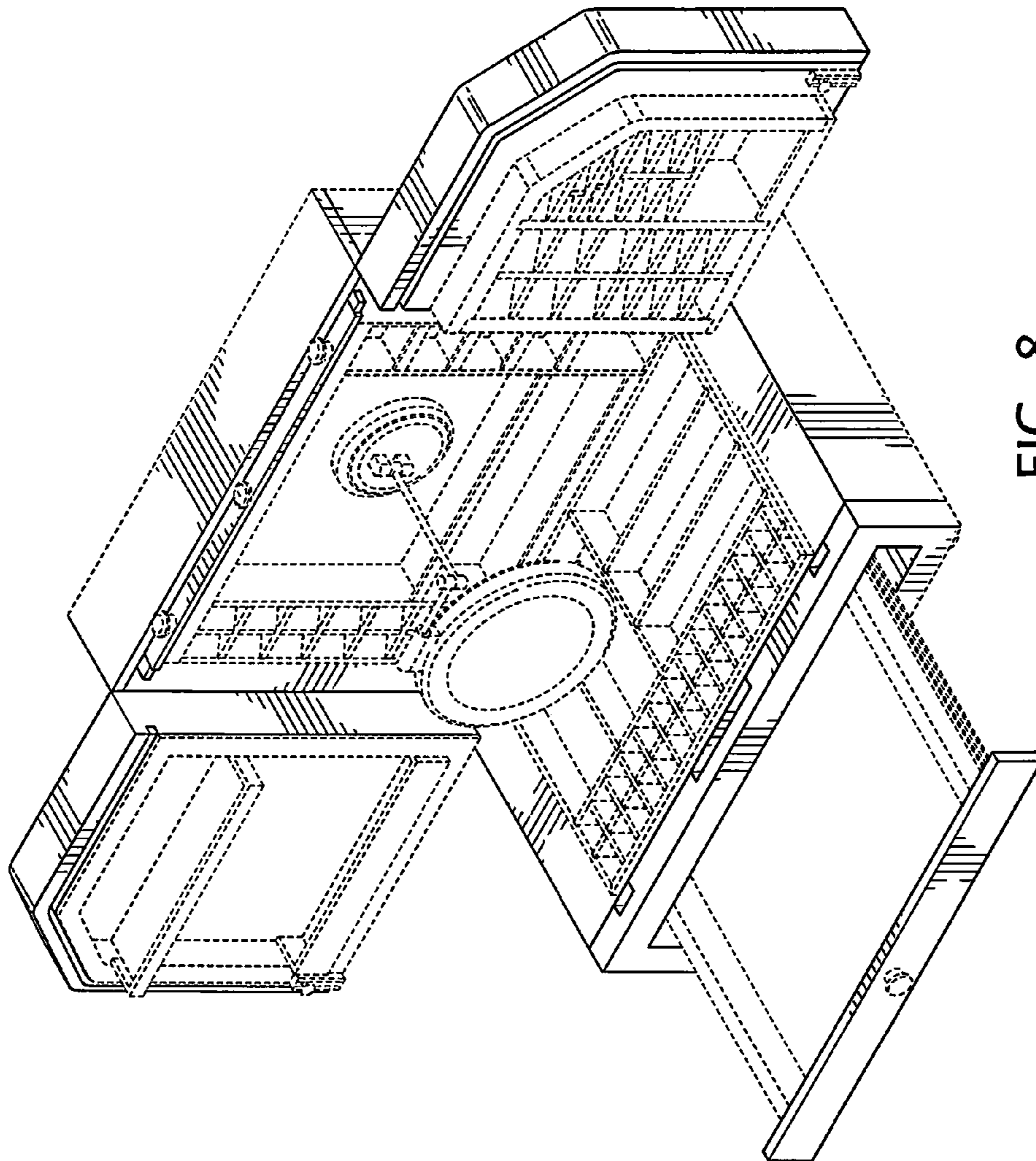


FIG. 8

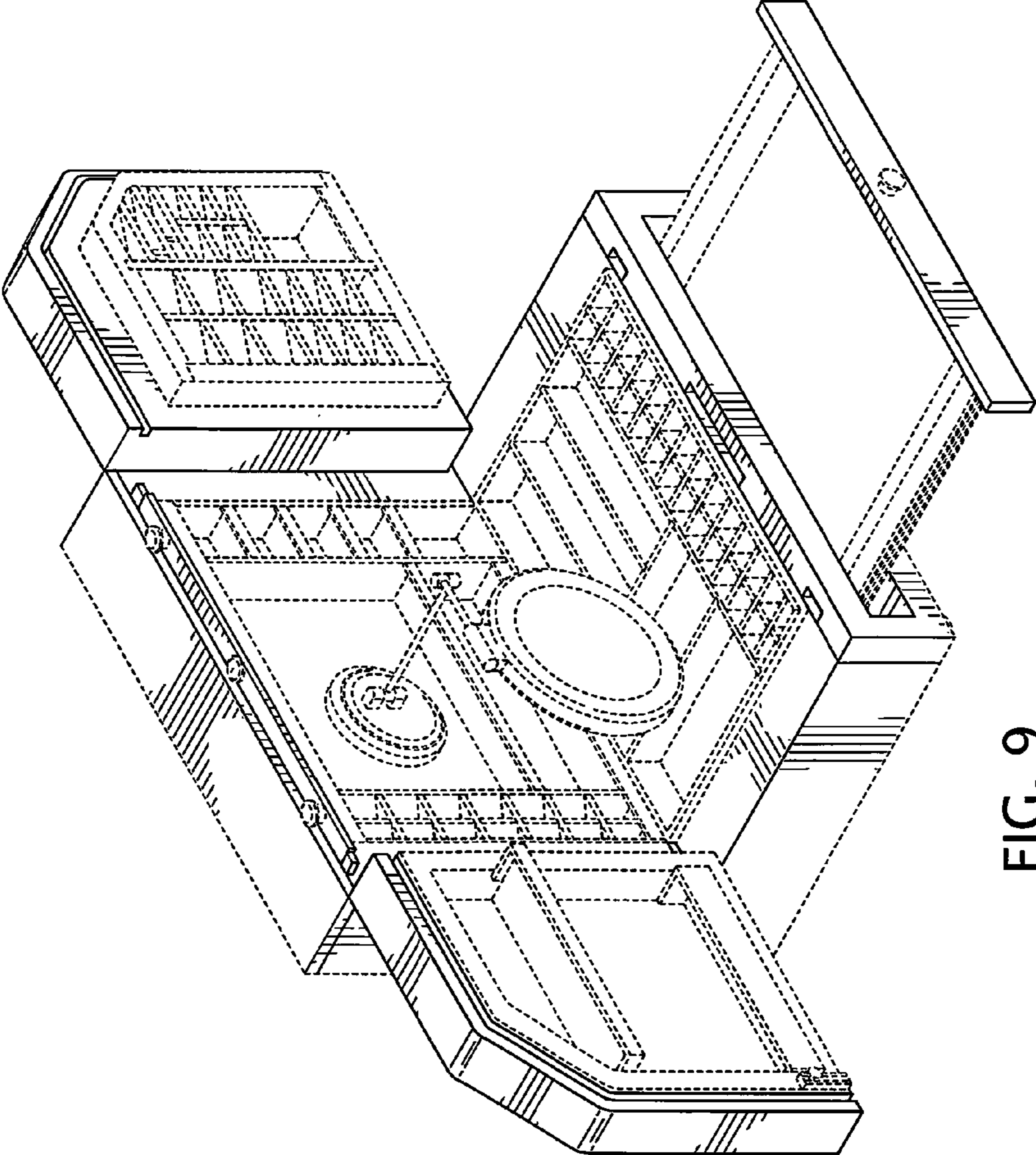


FIG. 9

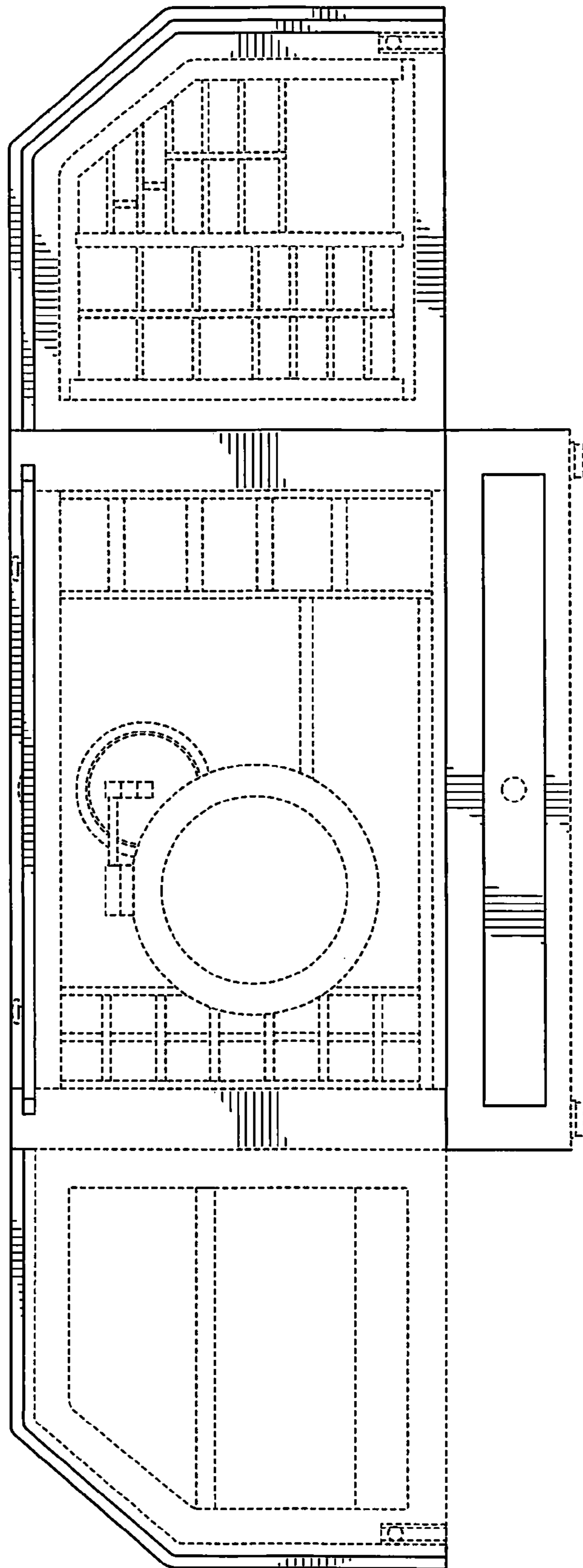


FIG. 10

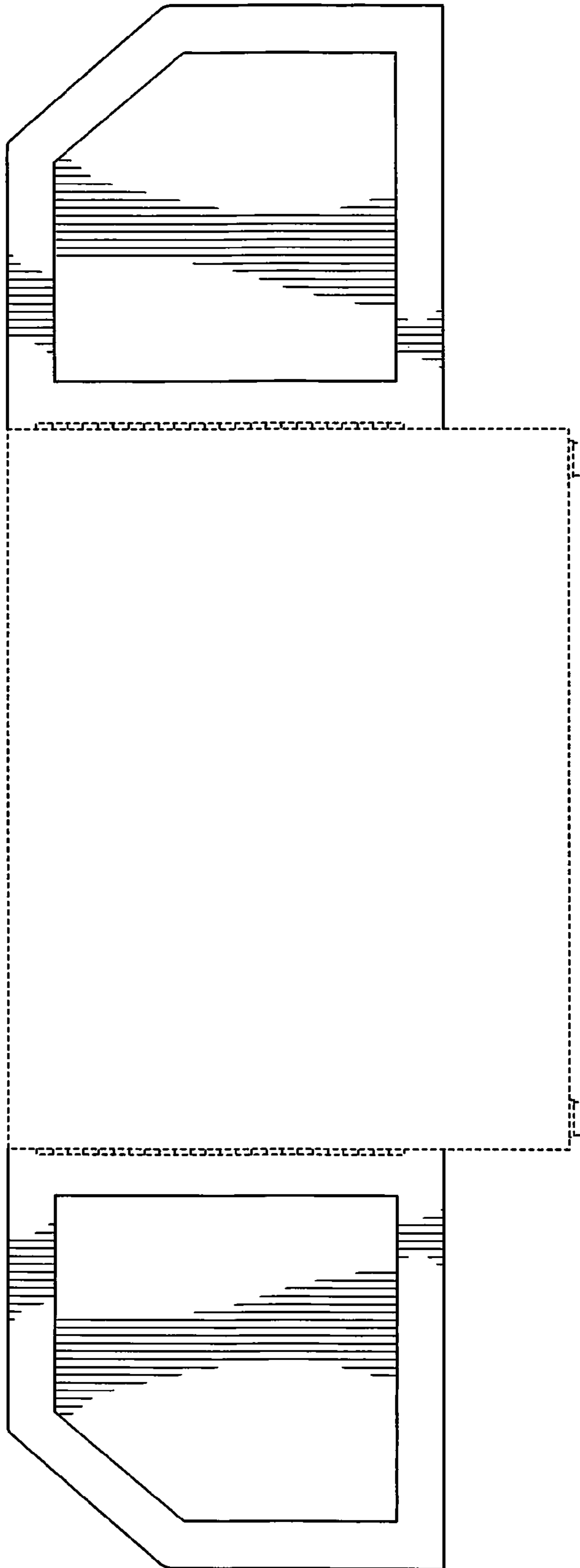


FIG. 11

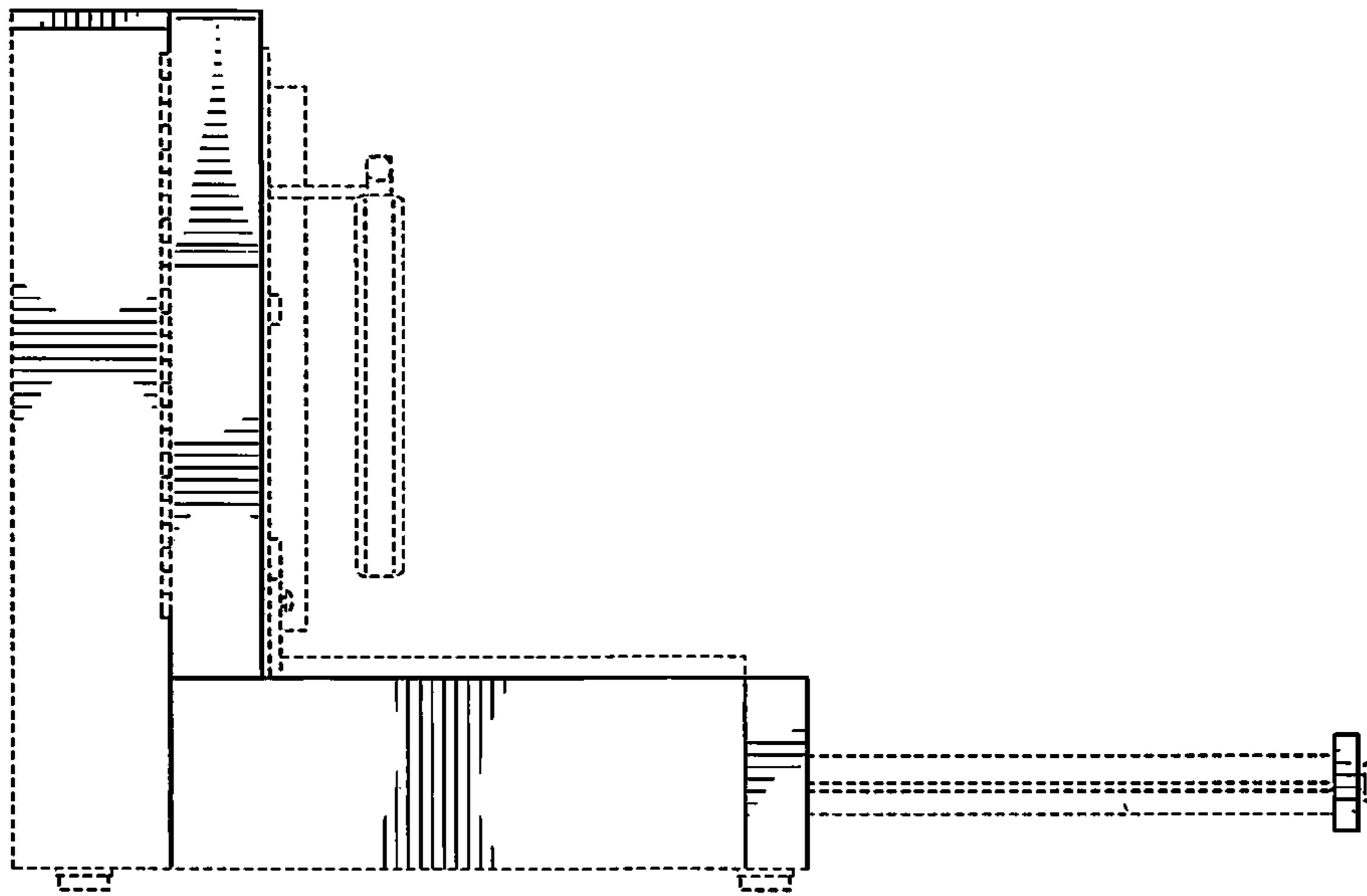


FIG. 12

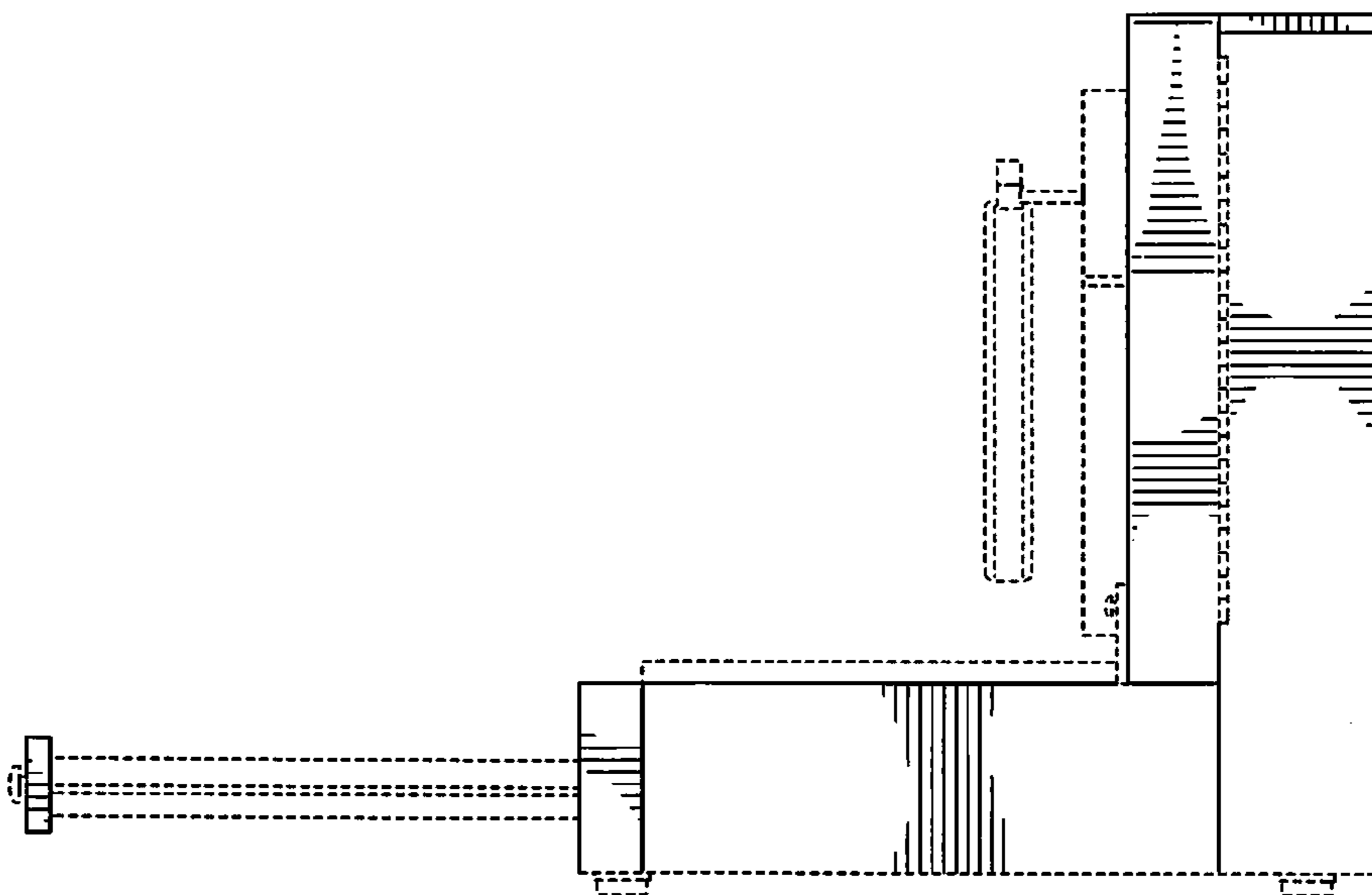


FIG. 13

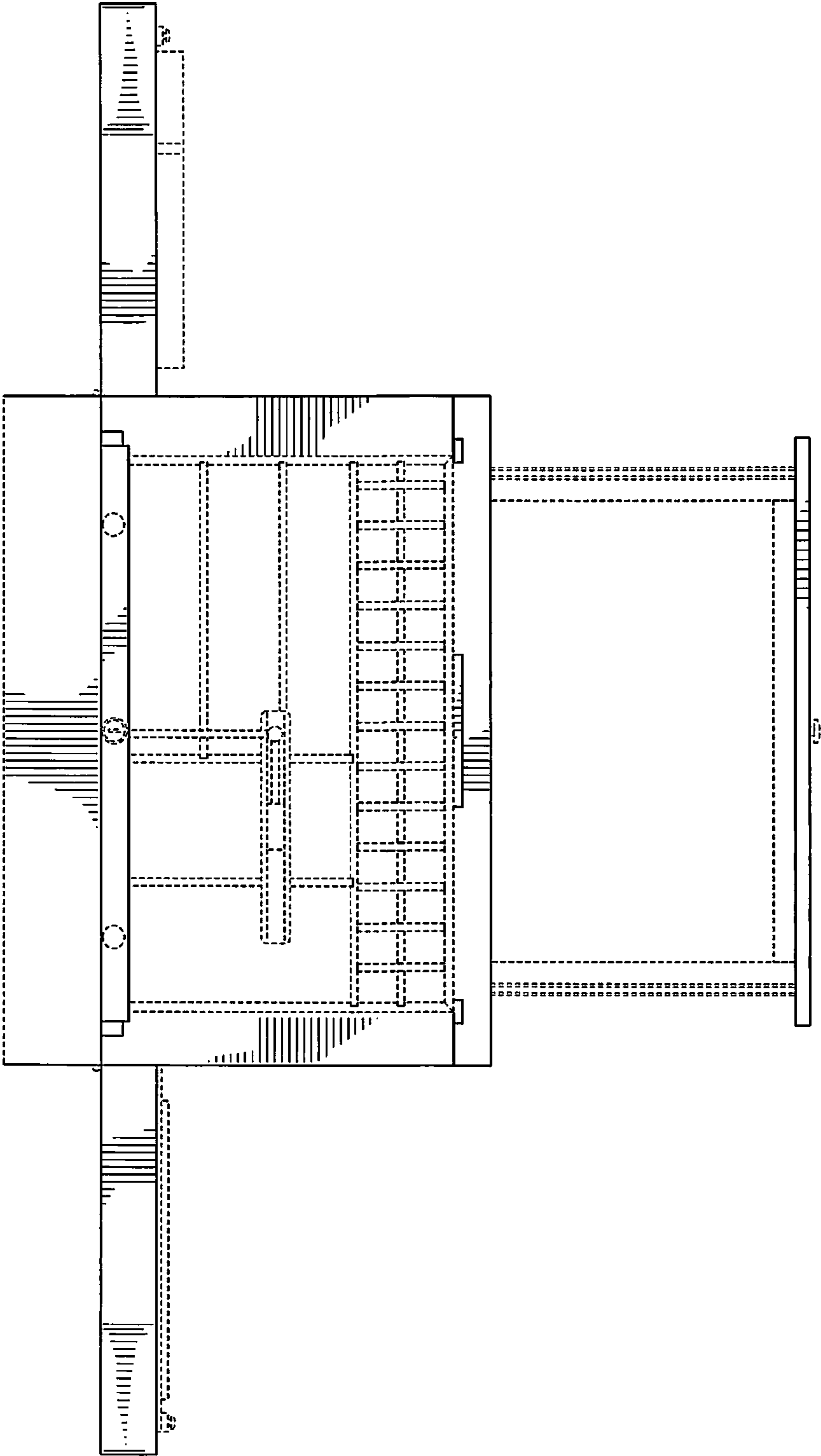


FIG. 14

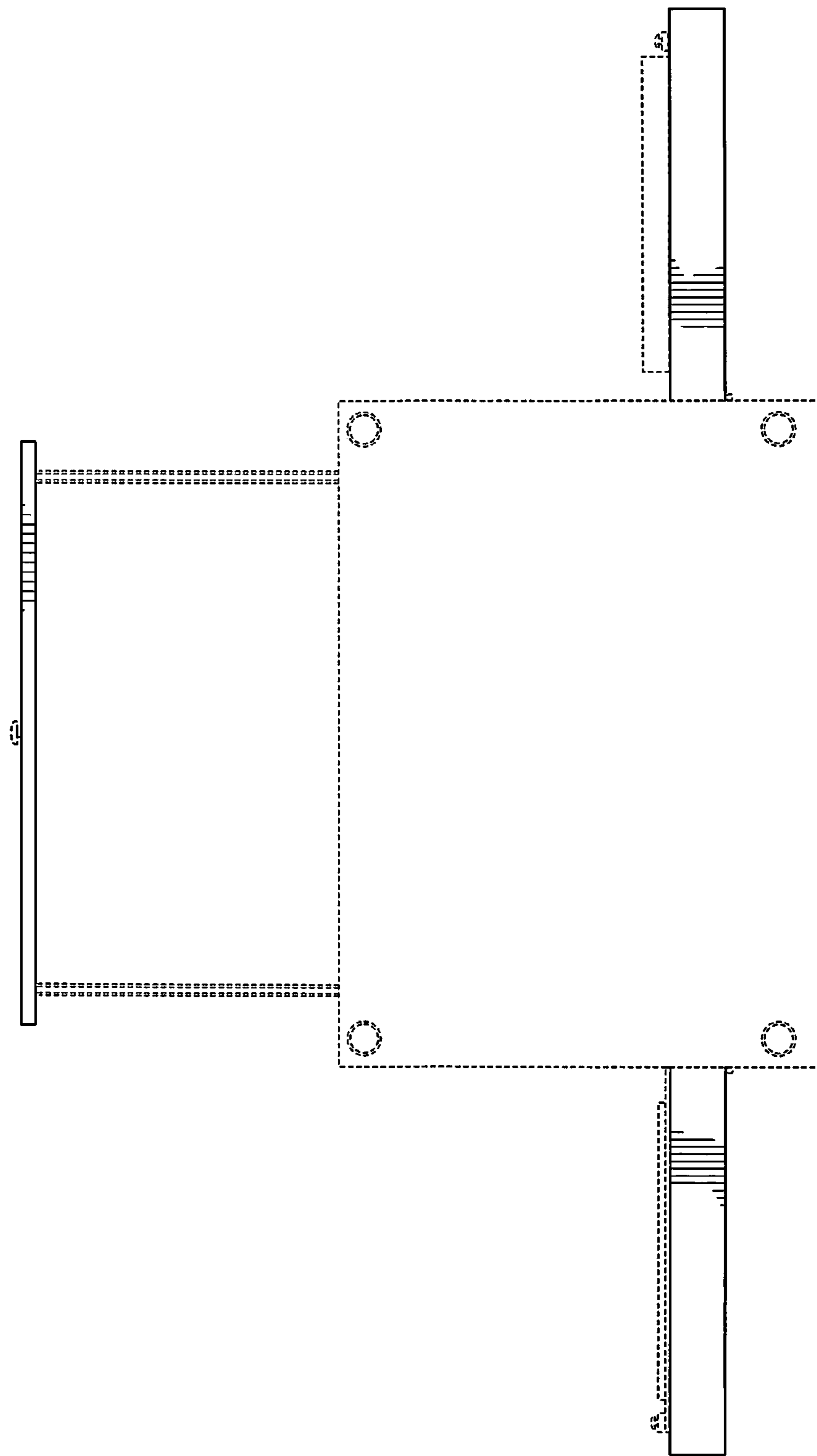


FIG. 15