



US00D734547S

(12) **United States Design Patent**  
**Nadjarian**

(10) **Patent No.:** **US D734,547 S**  
(45) **Date of Patent:** **\*\* Jul. 14, 2015**

(54) **SET OF PEDICURE TOE SEPARATORS**

(71) Applicant: **Annet T. Nadjarian**, North Las Vegas,  
NV (US)

(72) Inventor: **Annet T. Nadjarian**, North Las Vegas,  
NV (US)

(\*\*) Term: **14 Years**

(21) Appl. No.: **29/467,591**

(22) Filed: **Sep. 20, 2013**

(51) **LOC (10) Cl.** ..... **28-03**

(52) **U.S. Cl.**  
USPC ..... **D28/57**

(58) **Field of Classification Search**  
USPC ..... D28/57, 56, 61; 132/73; D24/200, 192;  
602/30

CPC ..... A45D 29/22; A45D 29/00; A61F 5/019  
See application file for complete search history.

(56) **References Cited**

**U.S. PATENT DOCUMENTS**

2,291,125	A *	7/1942	Wilkinson	.....	132/73
2,546,118	A *	3/1951	Wright	.....	132/73
2,595,640	A *	5/1952	Christopoulos	.....	132/73
4,017,987	A	4/1977	Perez, Jr. et al.		
D260,047	S	8/1981	Heinz		
D271,156	S	11/1983	Williamson		
5,870,837	A	2/1999	Poulos		
D409,824	S	5/1999	Byrd		
5,946,823	A	9/1999	Yates		
D415,858	S *	10/1999	Funatogawa	.....	D28/56
D419,283	S	1/2000	Coito		
D420,785	S	2/2000	Perez		
6,116,253	A	9/2000	Armstrong		
D439,704	S *	3/2001	Ikeda	.....	D28/57
6,226,893	B1	5/2001	Schlamp et al.		
6,298,580	B1	10/2001	Tadayon		
D473,018	S	4/2003	Ford		

6,678,971	B2	1/2004	Brooks		
D558,959	S	1/2008	Kalinsky		
D575,484	S	8/2008	Kalinsky		
D581,148	S	11/2008	Kalinsky		
D595,897	S *	7/2009	Moldauer et al.	.....	D28/56
D661,429	S *	6/2012	Huthmaker	.....	D28/57
D707,362	S *	6/2014	Cohen et al.	.....	D24/200
2007/0027011	A1 *	2/2007	Ferri	.....	482/148

\* cited by examiner

*Primary Examiner* — Jennifer Rivard

(74) *Attorney, Agent, or Firm* — Greenberg Traurig, LLP

(57) **CLAIM**

The ornamental design for a set of pedicure toe separators, as shown and described.

**DESCRIPTION**

FIG. 1 is a perspective upper view of a set of pedicure toe separators;

FIG. 2 is a top view of the right and left set of pedicure toe separators;

FIG. 3 is a right side view of the right set of pedicure toe separators;

FIG. 4 is a left view of the left set of pedicure toe separators;

FIG. 5 is a left side view of the right set of pedicure toe separators;

FIG. 6 is a right side view of the left set of pedicure toe separators;

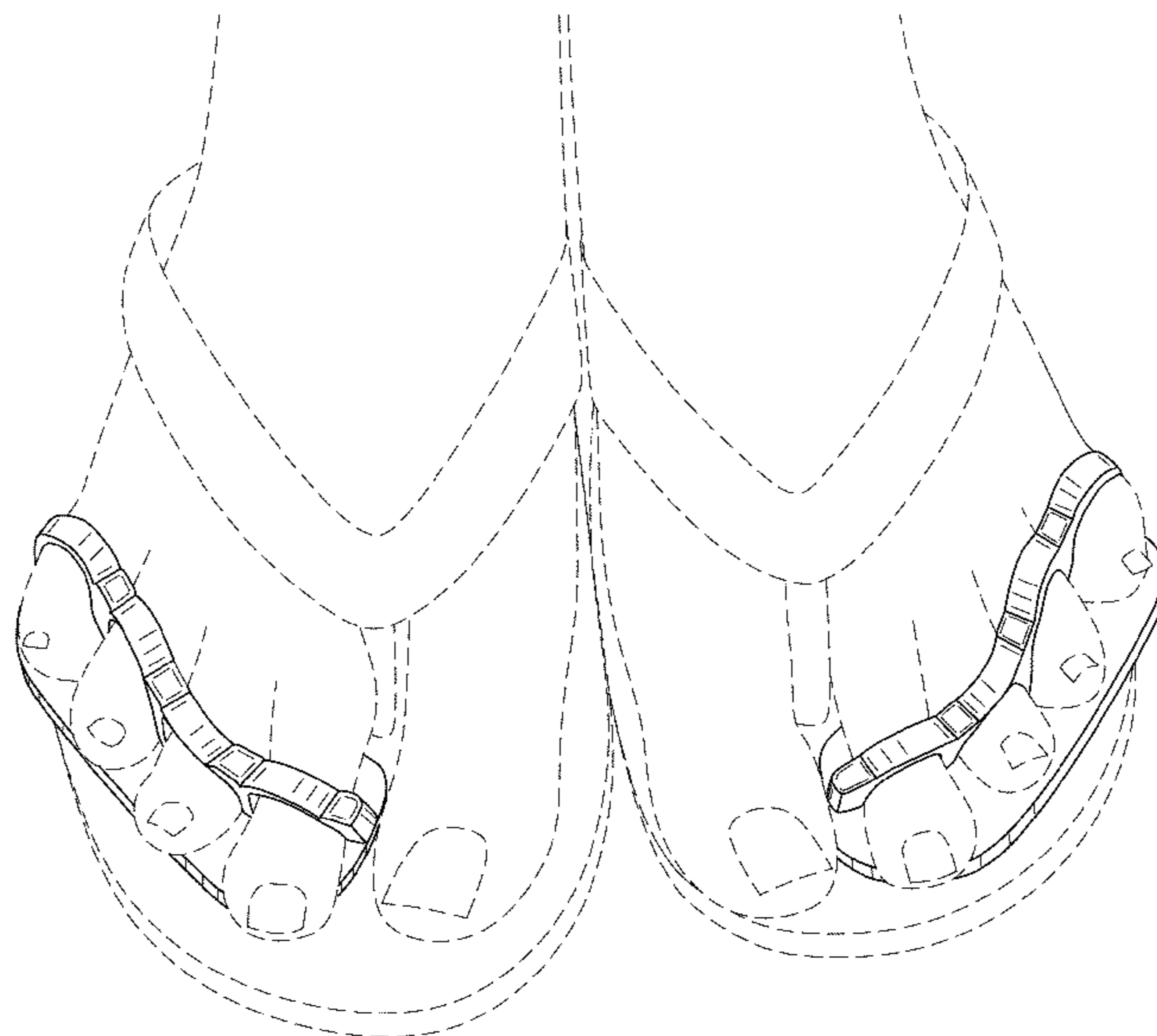
FIG. 7 is a front view of the right and left set of pedicure toe separators;

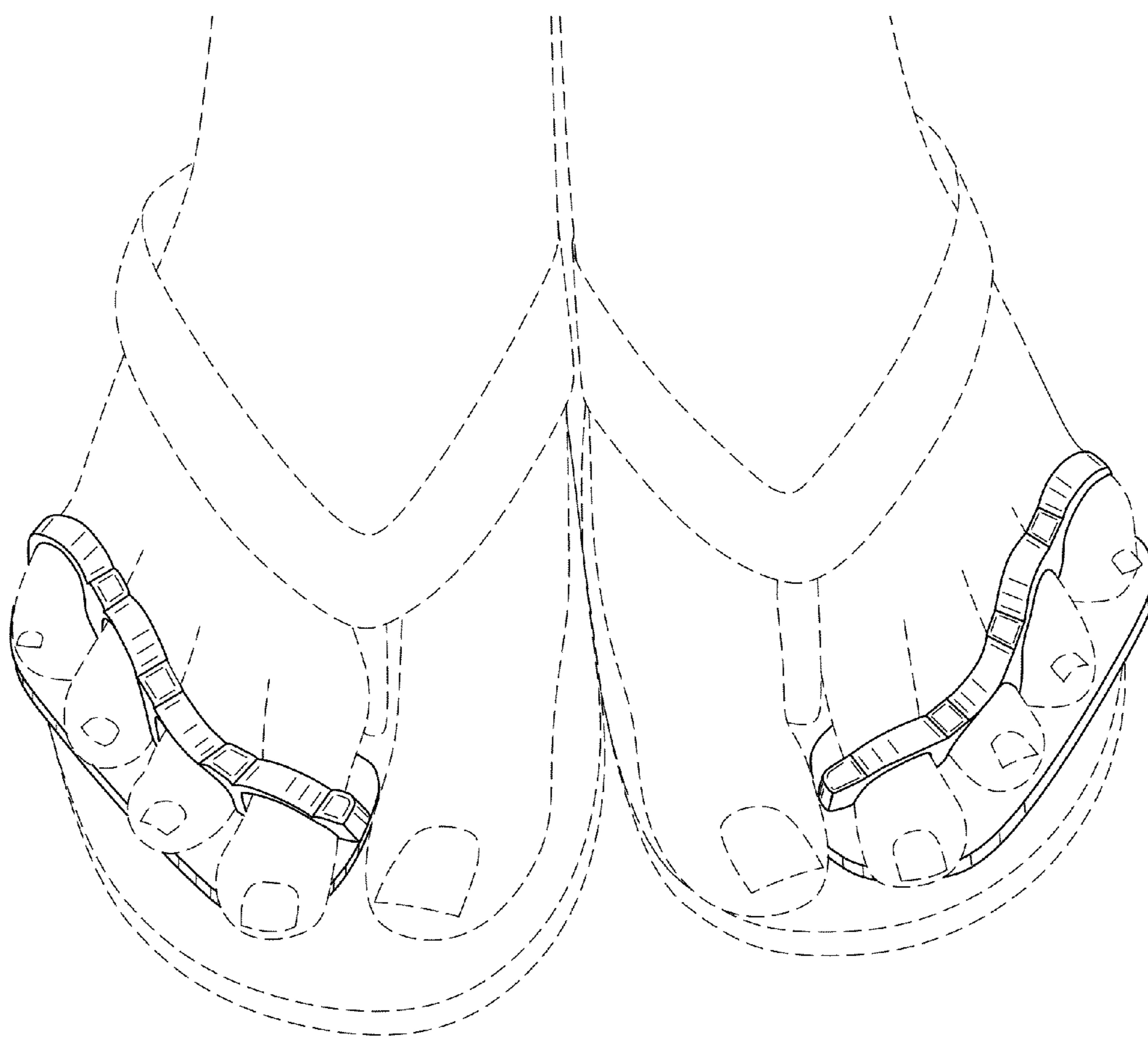
FIG. 8 is a rear view of the right and left set of pedicure toe separators; and,

FIG. 9 is a bottom view of right and left set of pedicure toe separators.

The broken line disclosure of the feet illustrates the environment and forms no part of the claimed design.

**1 Claim, 3 Drawing Sheets**





**FIG. 1**

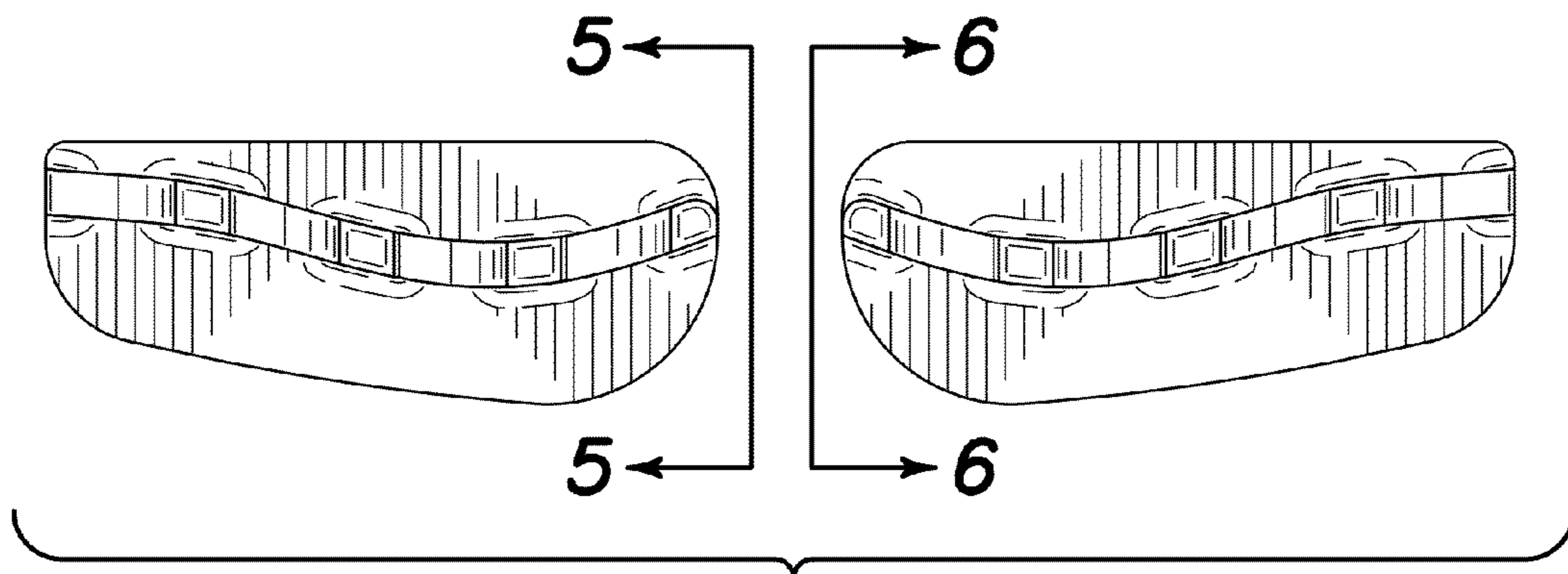


FIG. 2

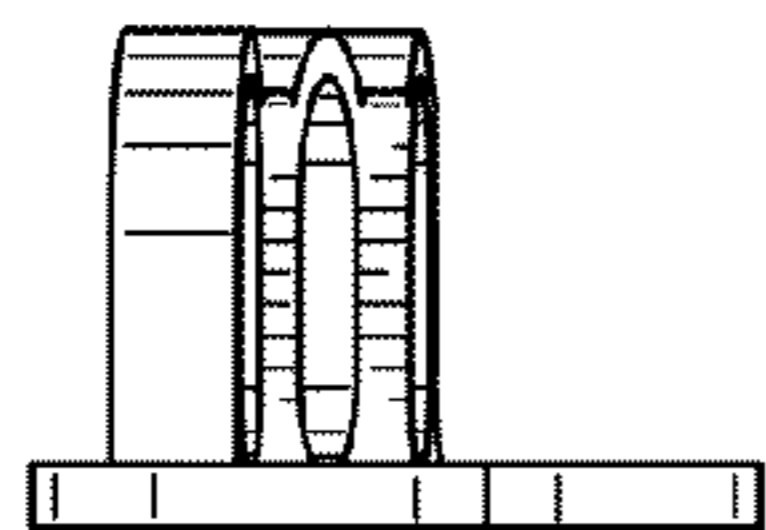


FIG. 3

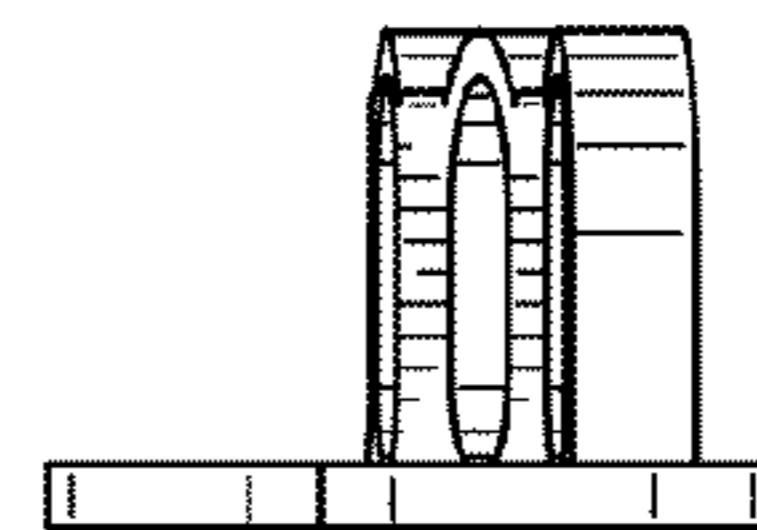


FIG. 4

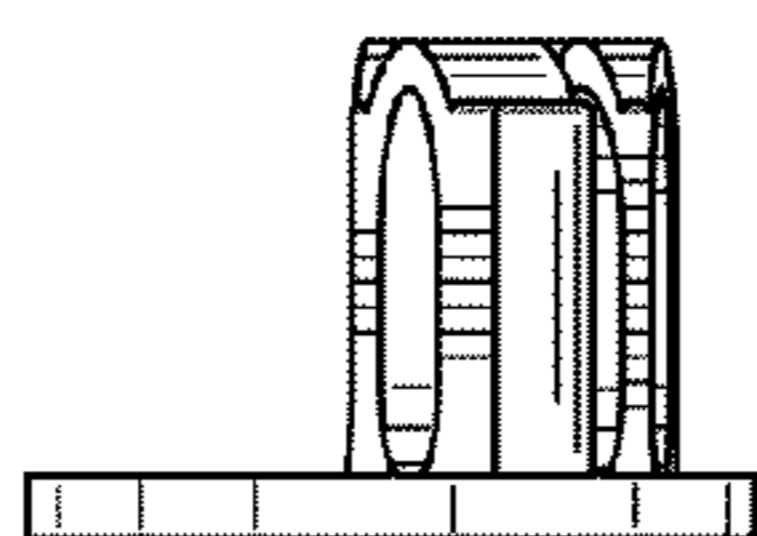


FIG. 5

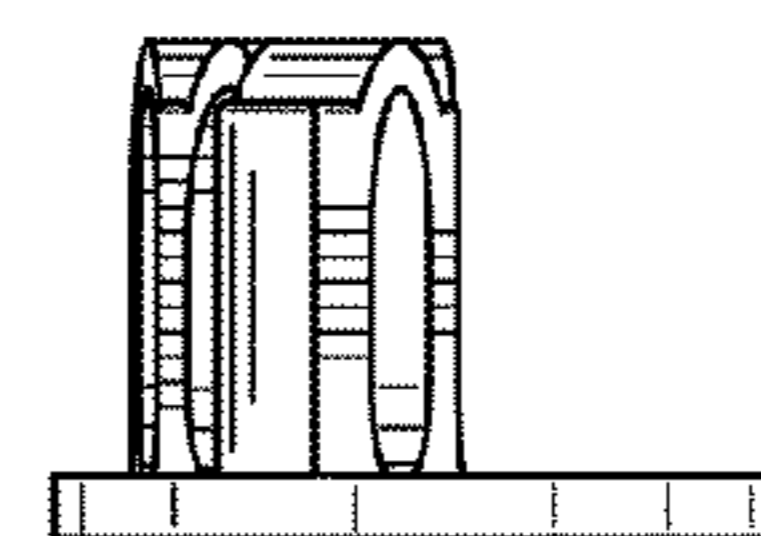


FIG. 6

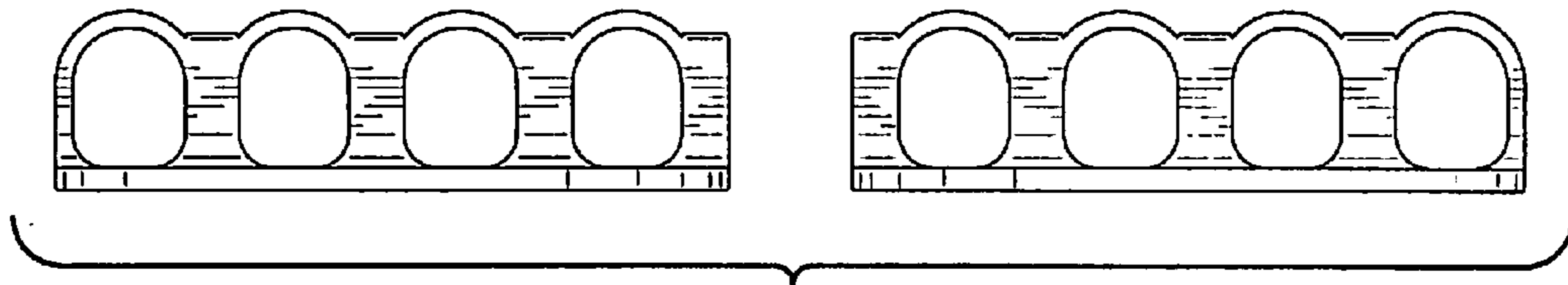


FIG. 7

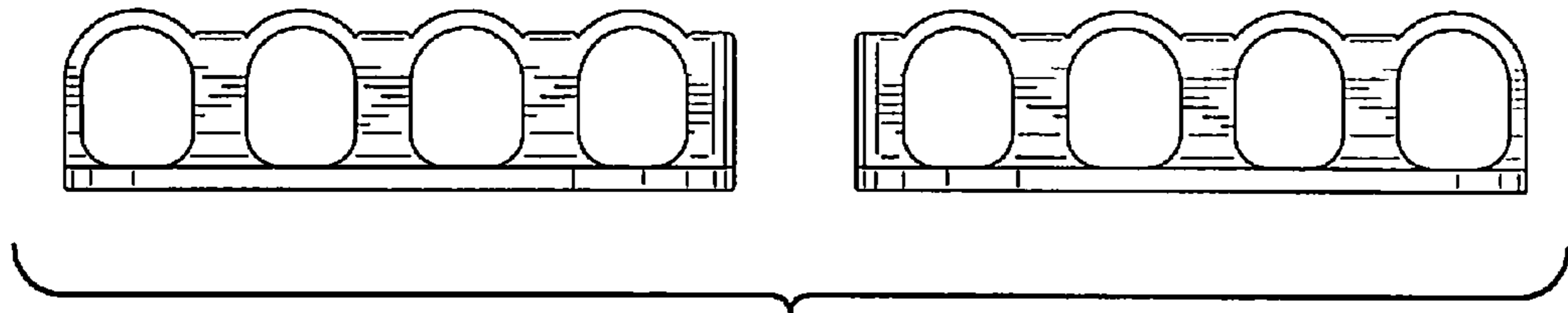


FIG. 8

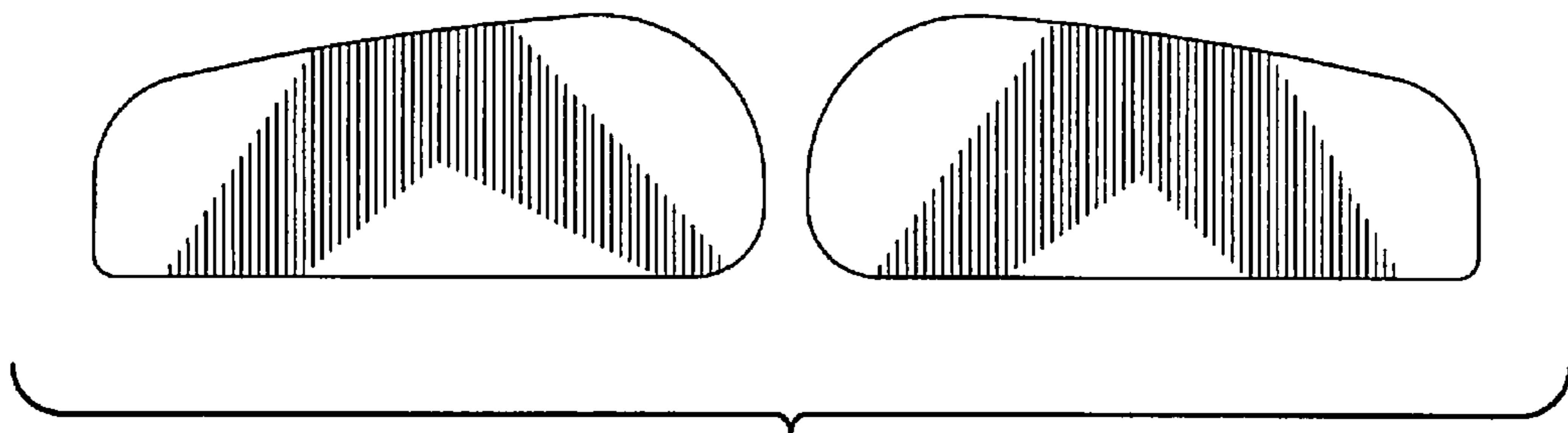


FIG. 9