

US00D734546S

(12) **United States Design Patent**
Baker et al.

(10) **Patent No.:** **US D734,546 S**
(45) **Date of Patent:** **** Jul. 14, 2015**

(54) **HAND SUPPORT**

(71) Applicants: **Diane A. Baker**, Berkeley, CA (US);
Malcolm D. Plant, Berkeley, CA (US)

(72) Inventors: **Diane A. Baker**, Berkeley, CA (US);
Malcolm D. Plant, Berkeley, CA (US)

(**) Term: **14 Years**

(21) Appl. No.: **29/465,717**

(22) Filed: **Aug. 30, 2013**

(51) **LOC (10) Cl.** **28-03**

(52) **U.S. Cl.**
USPC **D28/57**; D28/61; D6/601

(58) **Field of Classification Search**
USPC D28/57, 56, 61; D6/601; 132/73;
248/118-118.1
CPC A45D 29/02; A45D 29/00
See application file for complete search history.

(56) **References Cited**

U.S. PATENT DOCUMENTS

2,291,125	A *	7/1942	Wilkinson	132/73
2,546,118	A *	3/1951	Wright	132/73
D309,356	S *	7/1990	Johns	D28/56
D321,562	S *	11/1991	Ljungvall	D24/183
5,326,056	A *	7/1994	Smith	248/118
D400,304	S *	10/1998	Stankovic	D28/57
6,027,080	A *	2/2000	Sziraki	248/118.1
D446,353	S *	8/2001	Crary	D28/61
D487,533	S *	3/2004	Abbott et al.	D28/57

D539,066	S *	3/2007	Coquillet	D6/601
2014/0263878	A1 *	9/2014	Moy et al.	248/118
2015/0107615	A1 *	4/2015	Houlder	132/73

OTHER PUBLICATIONS

Hand and Wrist Rest, PROS Salon Supply, Internet, downloaded Apr. 4, 2011.*

* cited by examiner

Primary Examiner — Jennifer Rivard

(74) *Attorney, Agent, or Firm* — Brian Beverly; Beeson Skinner Beverly, LLP

(57) **CLAIM**

The ornamental design for a hand support, as shown and described.

DESCRIPTION

FIG. 1 is a top perspective view of a hand support showing our new design;
FIG. 2 is another top perspective view thereof;
FIG. 3 is a top plan view thereof;
FIG. 4 is a bottom plan view thereof;
FIG. 5 is a front elevational view thereof;
FIG. 6 is a rear elevational view thereof;
FIG. 7 is a right side elevational view thereof, the left side being a mirror image; and,
FIG. 8 is a right side sectional view thereof taken along lines 8-8 of FIG. 3.
The broken line representation of a hand in FIG. 1 and the broken line representation of a portion of the base shown in FIG. 4 form no part of the claimed design.

1 Claim, 4 Drawing Sheets

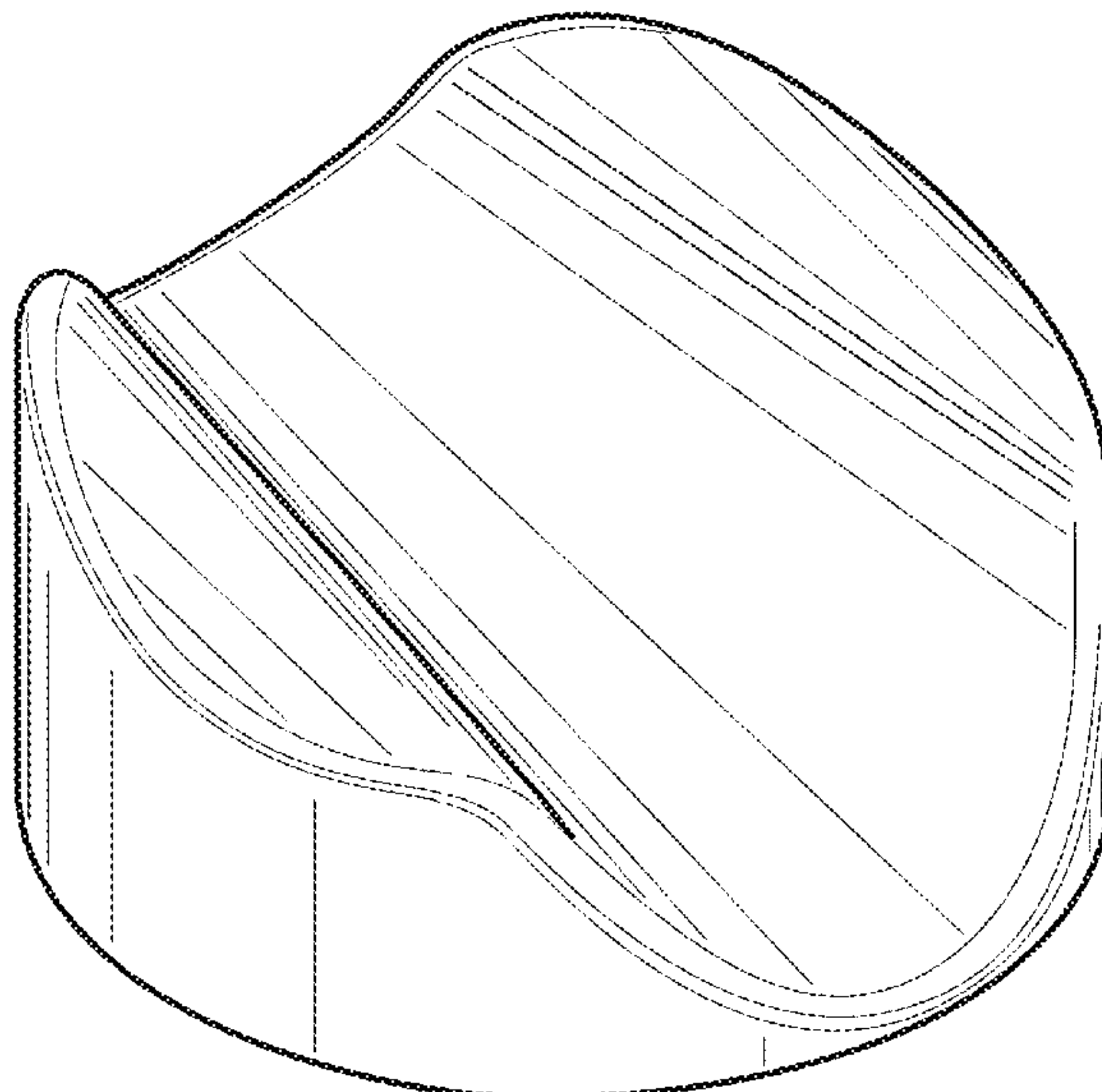


FIG. 1

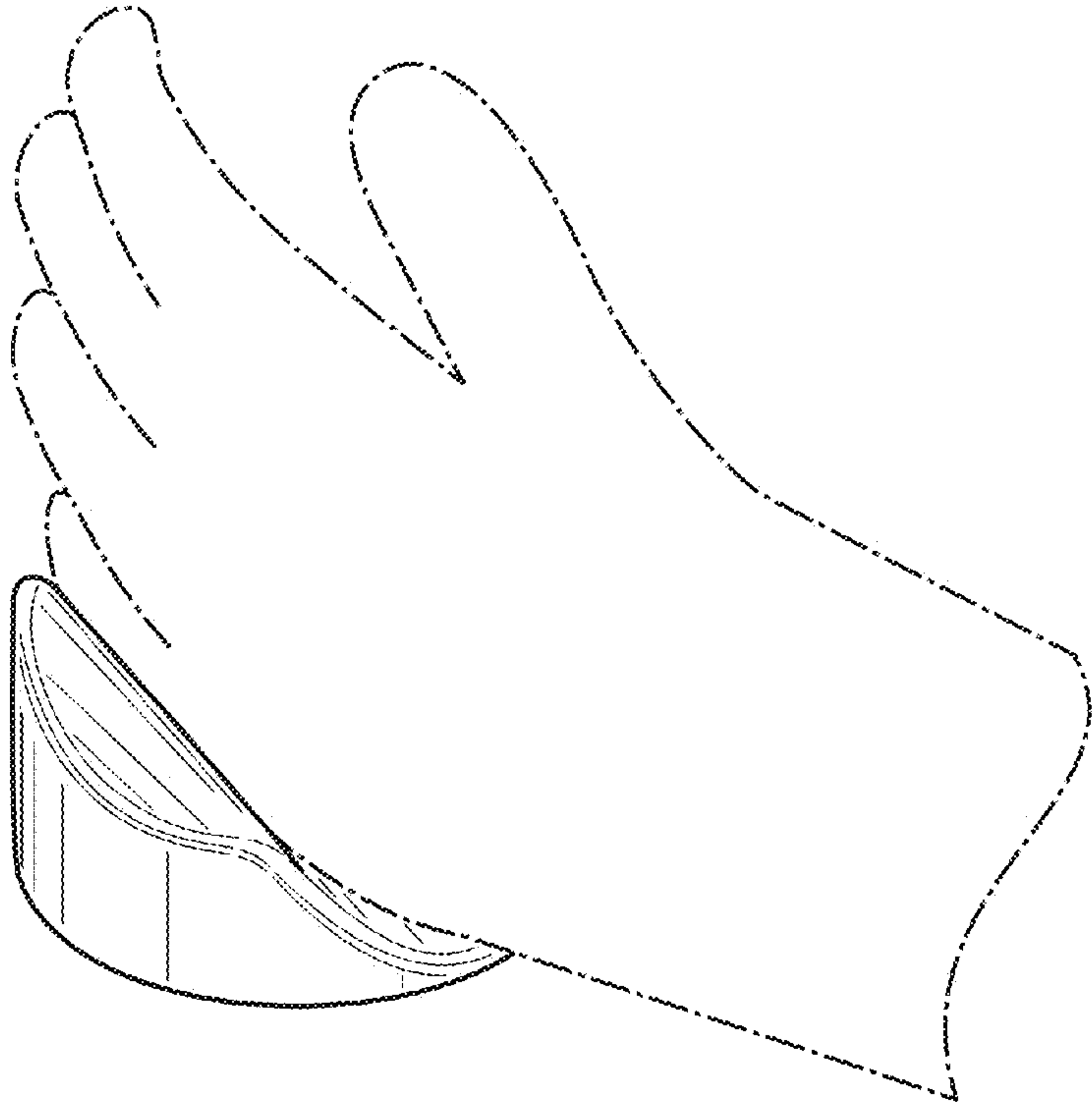
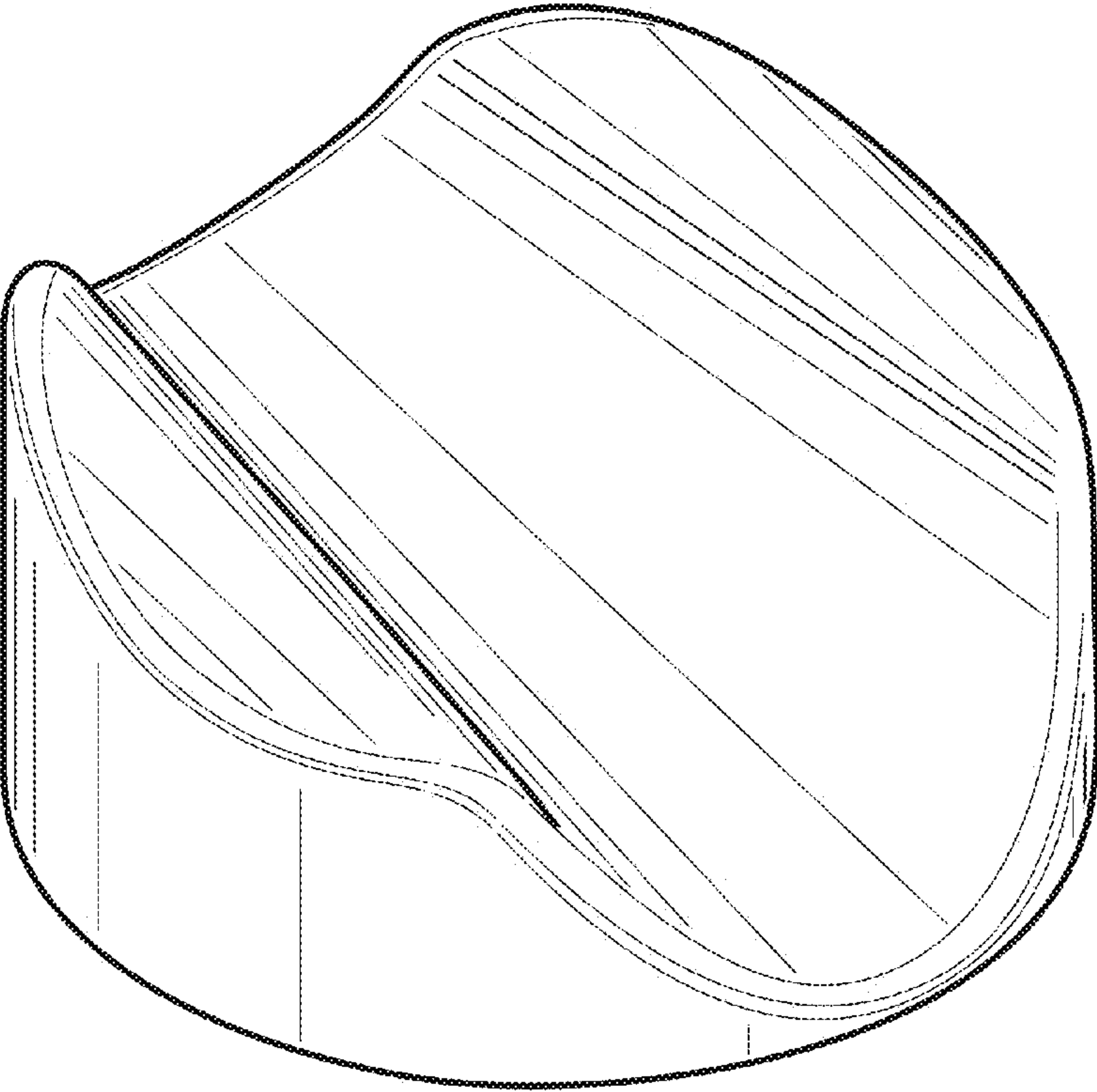


FIG. 2



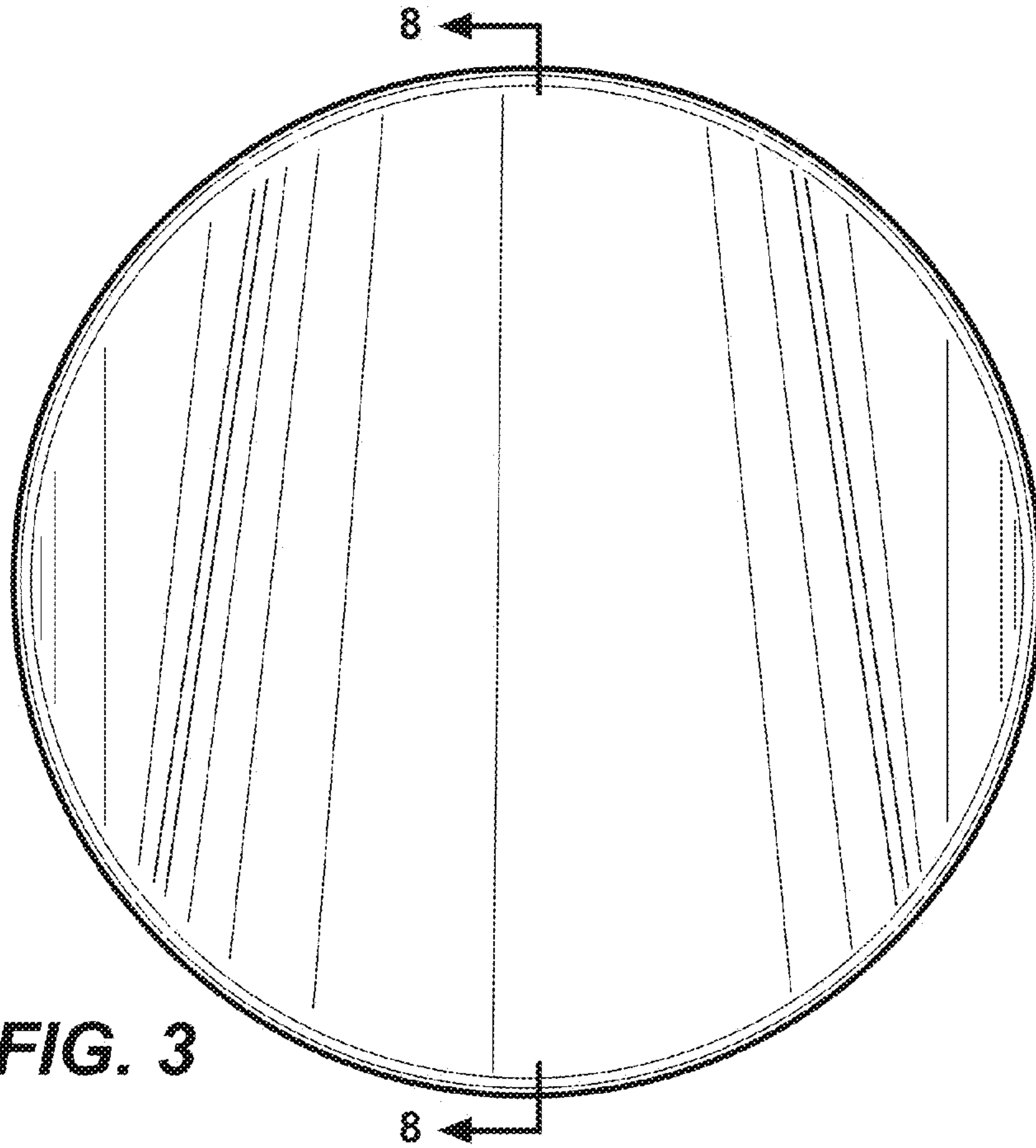


FIG. 3

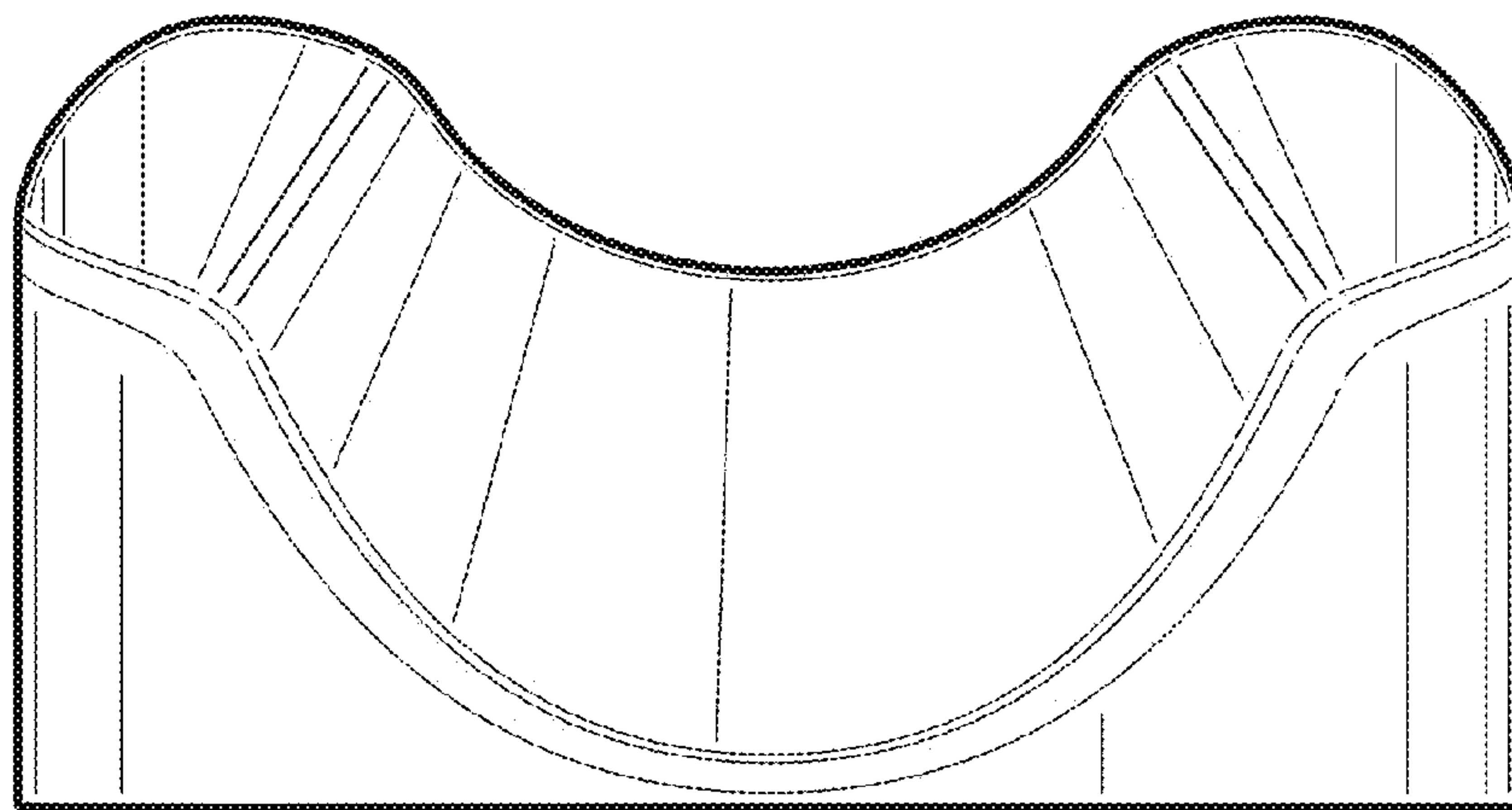


FIG. 5

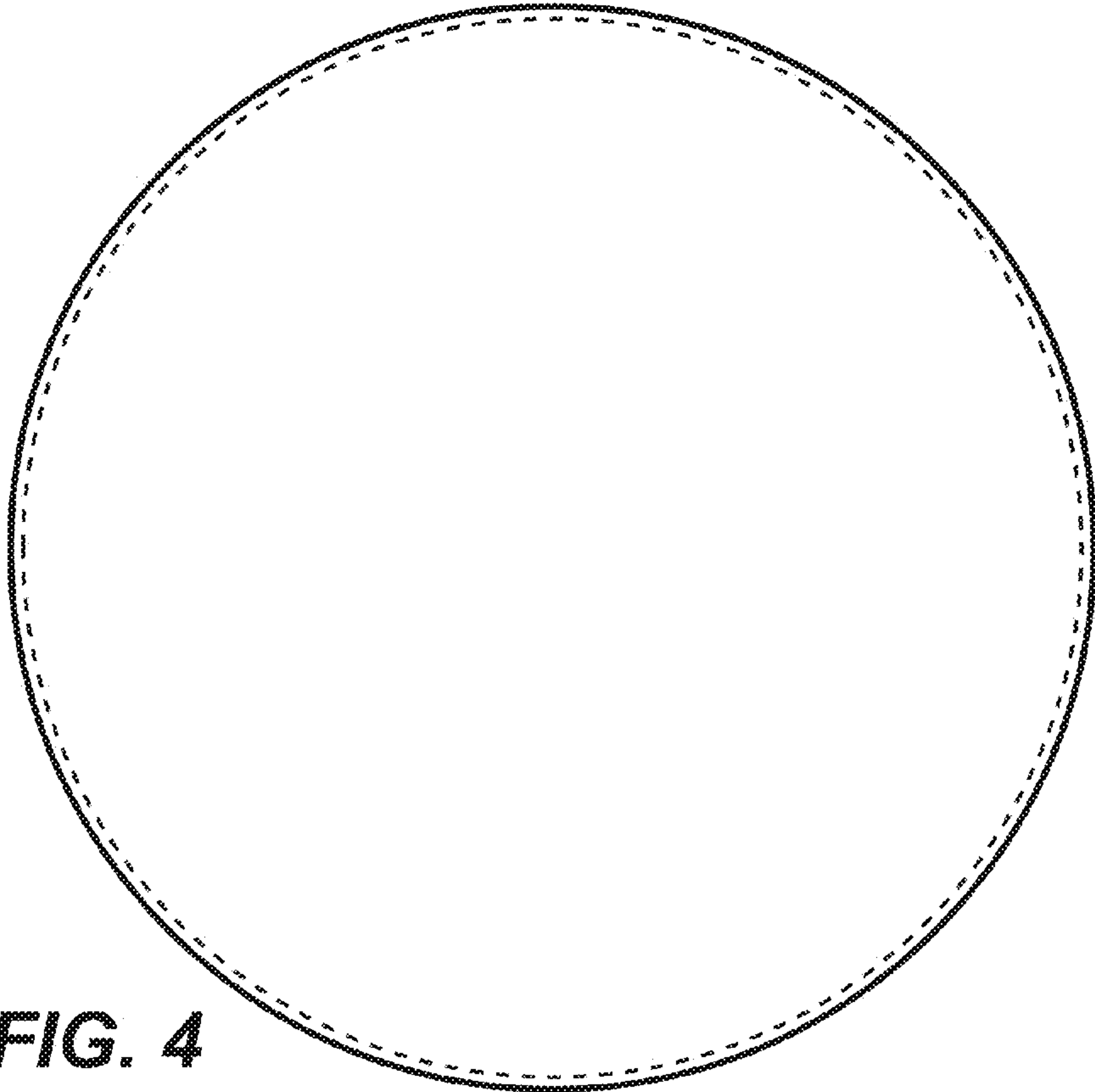


FIG. 4

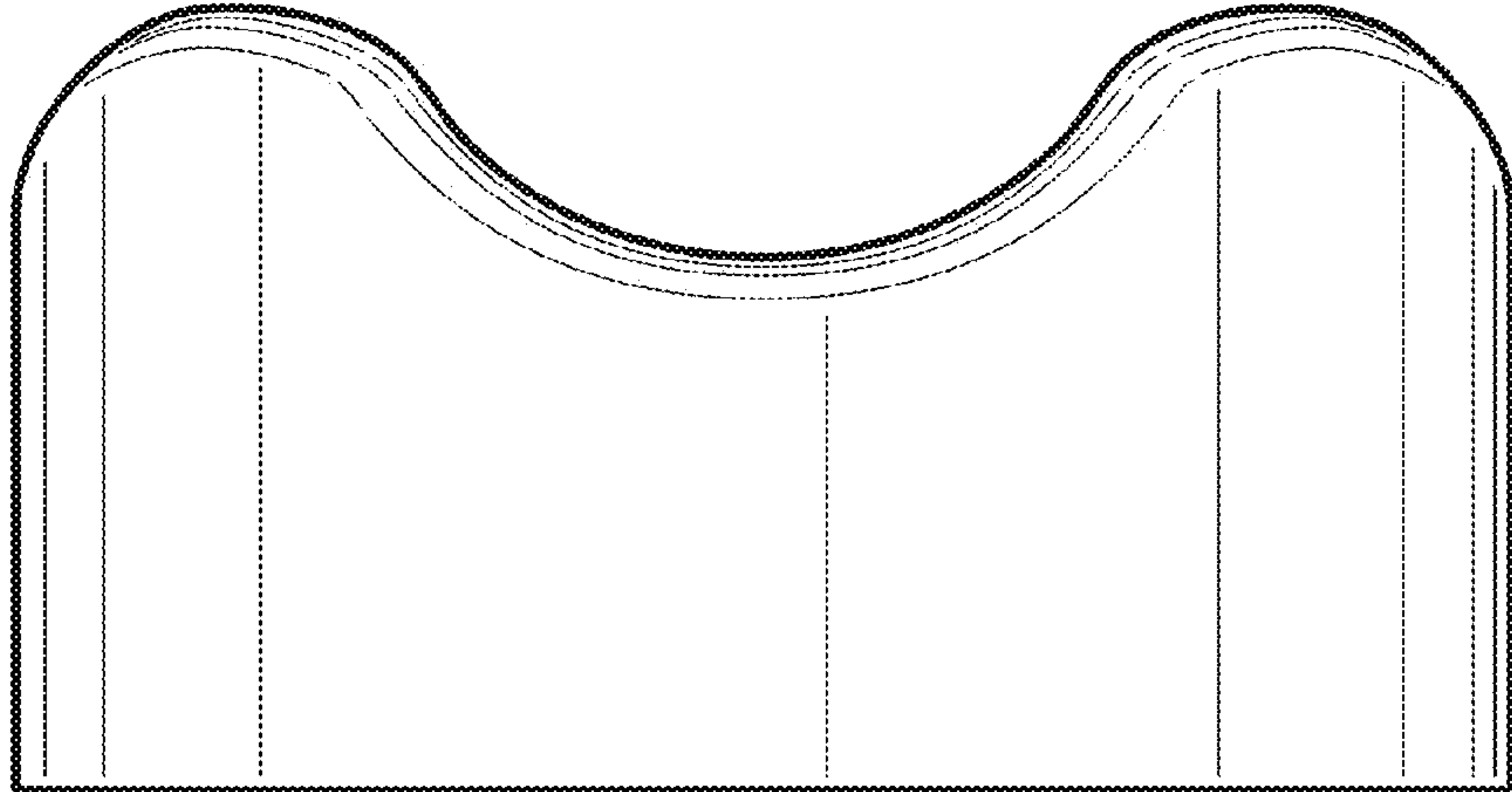


FIG. 6

FIG. 7

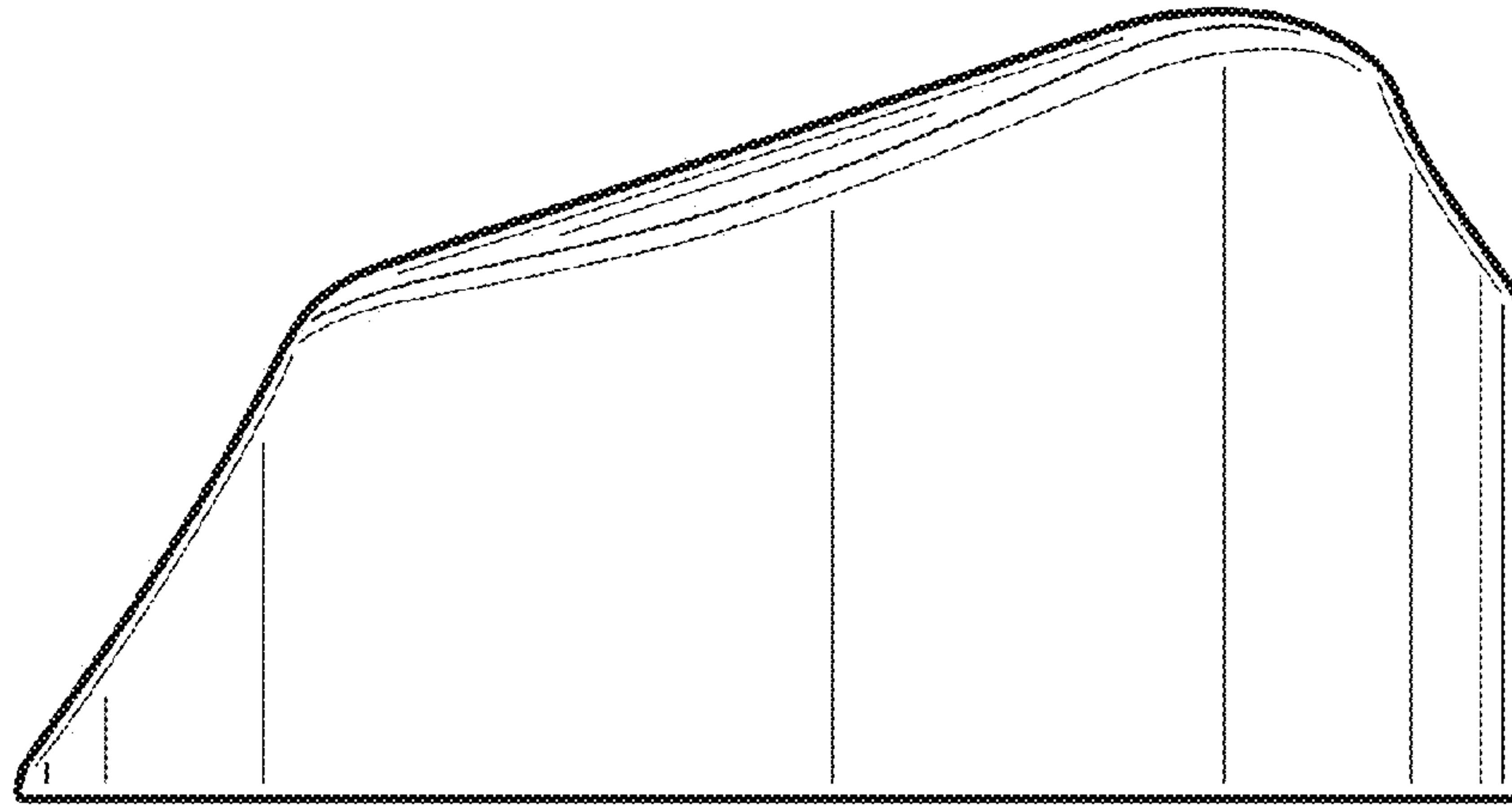


FIG. 8

