

US00D734542S

(12) **United States Design Patent**
Dong

(10) **Patent No.:** **US D734,542 S**
(45) **Date of Patent:** **** Jul. 14, 2015**

- (54) **GROOMING DRYER**
- (71) Applicant: **Yubo Dong**, Ontario, CA (US)
- (72) Inventor: **Yubo Dong**, Ontario, CA (US)
- (**) Term: **14 Years**
- (21) Appl. No.: **29/506,001**
- (22) Filed: **Oct. 11, 2014**
- (51) **LOC (10) Cl.** **28-03**
- (52) **U.S. Cl.**
USPC **D28/18**
- (58) **Field of Classification Search**
USPC D28/12-19; 34/96-101; 392/380-385;
219/222
CPC A45D 20/12; A45D 20/00
See application file for complete search history.

- D292,325 S * 10/1987 Maass D28/12
- D292,326 S * 10/1987 Maass D28/12
- D440,353 S * 4/2001 Johnson D28/12

* cited by examiner

Primary Examiner — Zenia Bennett

(74) *Attorney, Agent, or Firm* — Che-Yang Chen; Law Office of Michael Chen

(57) **CLAIM**

The ornamental design for a grooming dryer, as shown and described.

DESCRIPTION

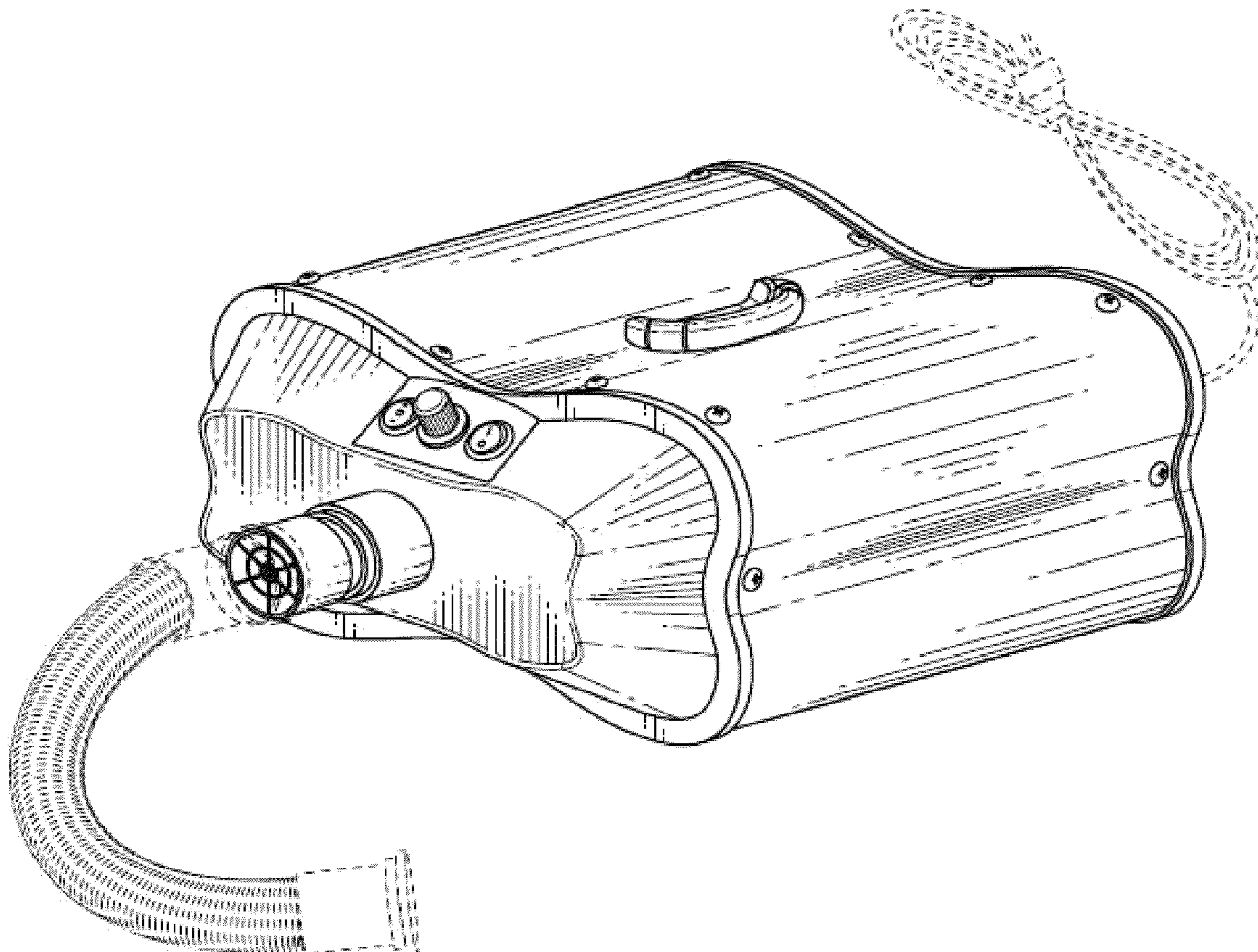
FIG. 1 is a perspective view of a grooming dryer showing my new design;
 FIG. 2 is a front elevational view thereof;
 FIG. 3 is a rear elevational view thereof;
 FIG. 4 is a left side elevational view thereof;
 FIG. 5 is a right side elevational view thereof;
 FIG. 6 is a top plan view thereof; and,
 FIG. 7 is a bottom plan view thereof.
 The broken lines in the drawing are for illustrative purposes only and form no part of the claimed design.

(56) **References Cited**

U.S. PATENT DOCUMENTS

- 2,488,227 A * 11/1949 Nelson 34/99
- 2,573,445 A * 10/1951 Hutcheson 392/383
- 2,913,833 A * 11/1959 Glintz 34/97

1 Claim, 5 Drawing Sheets



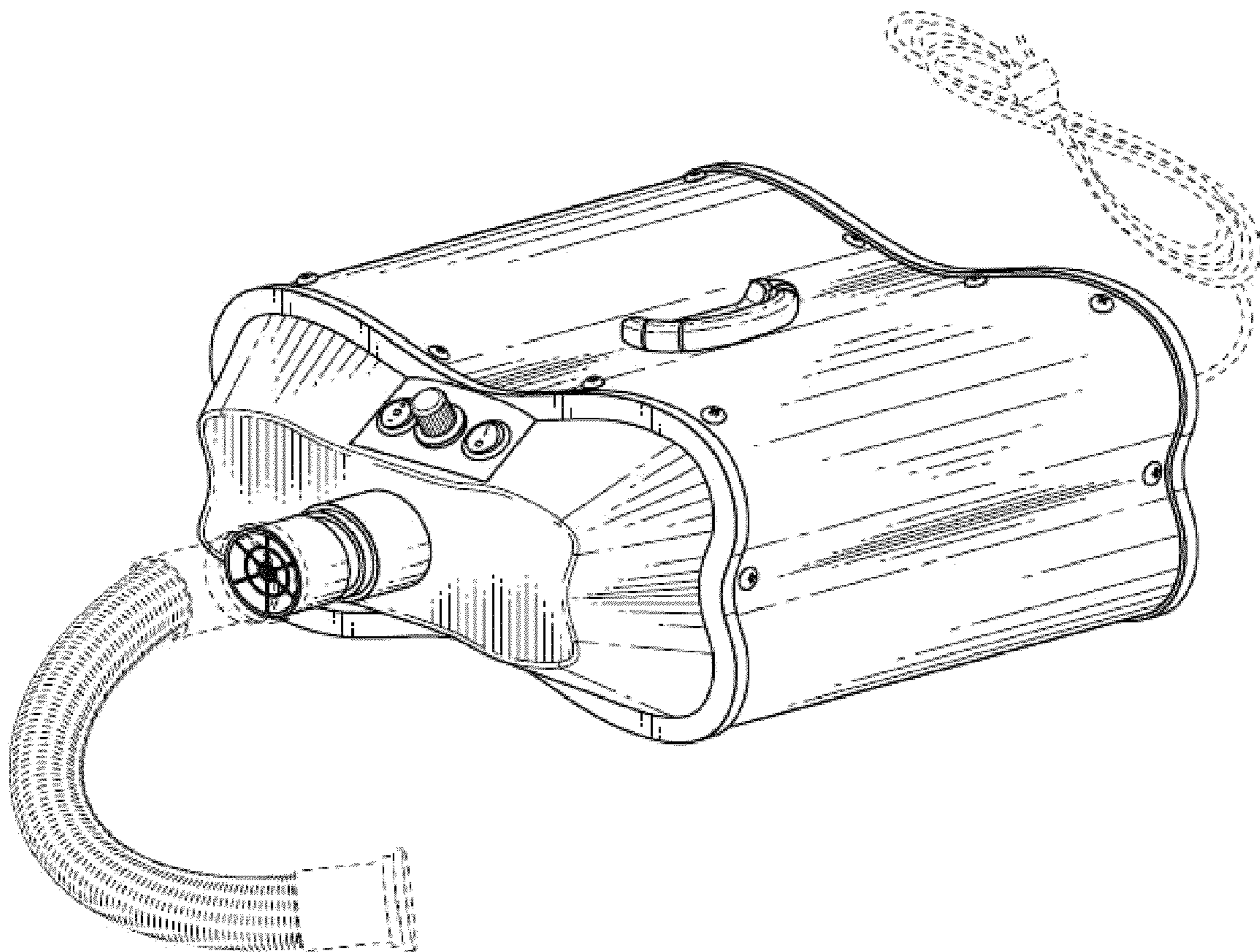


FIG. 1

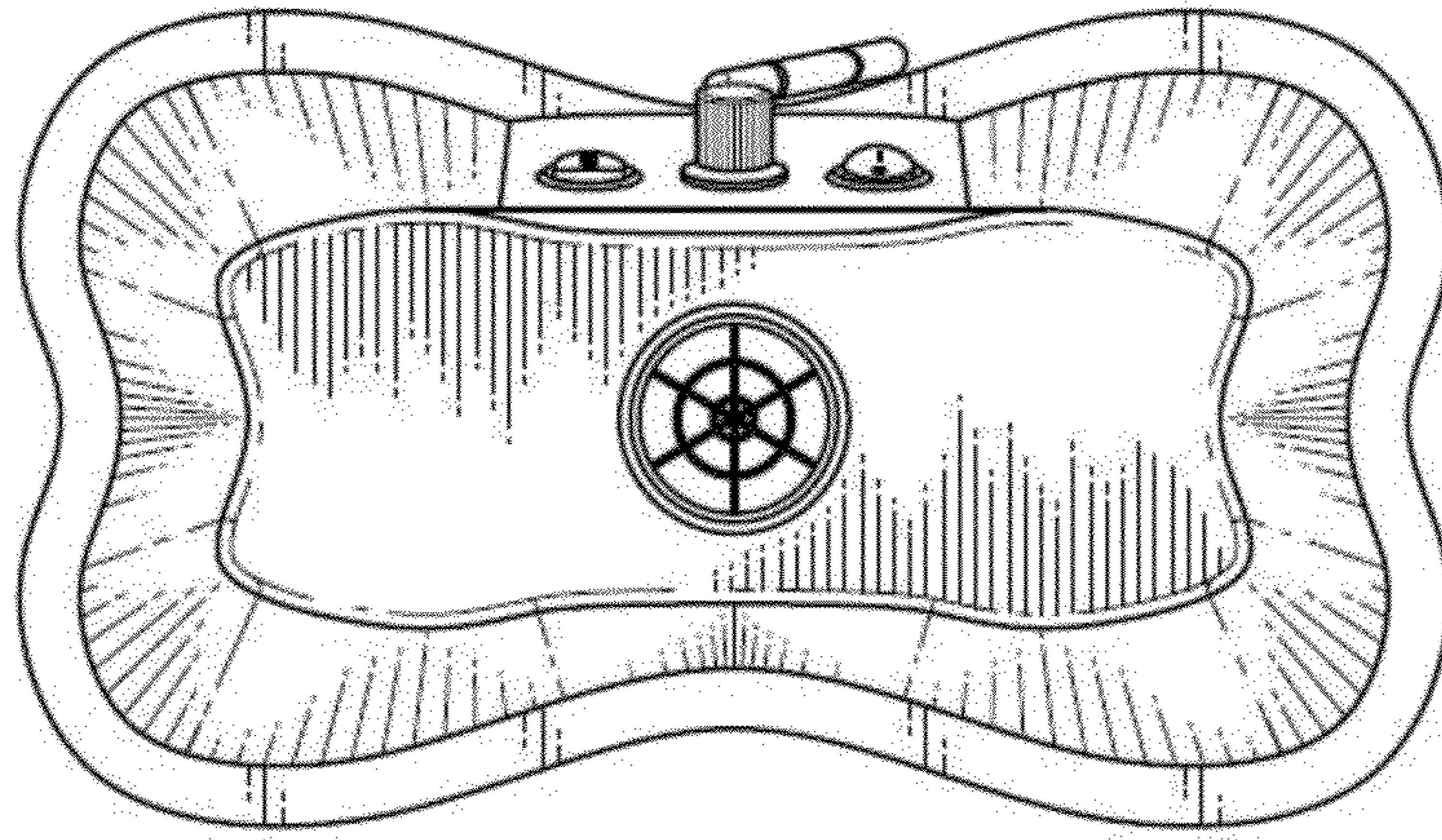


FIG. 2

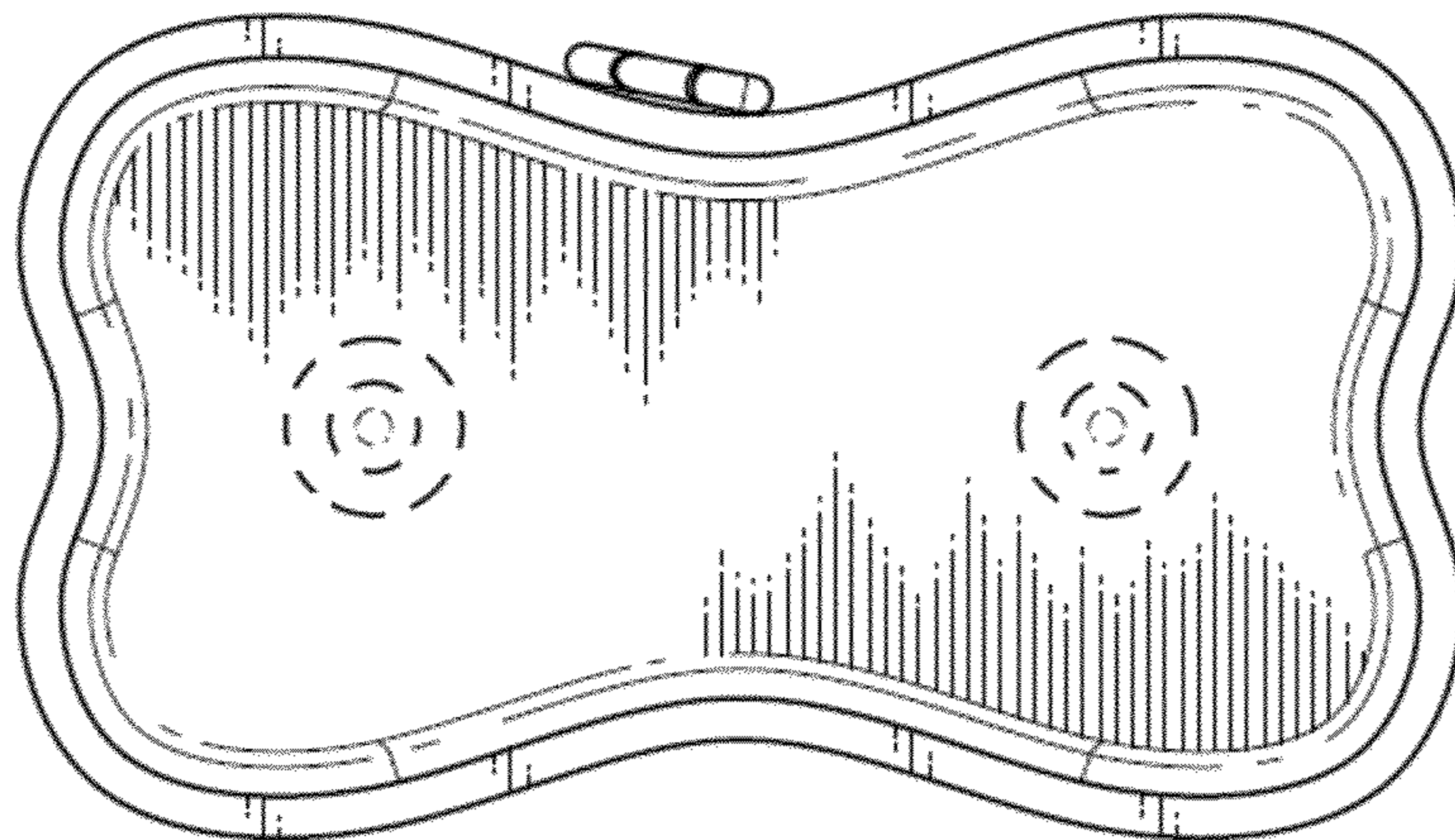


FIG. 3

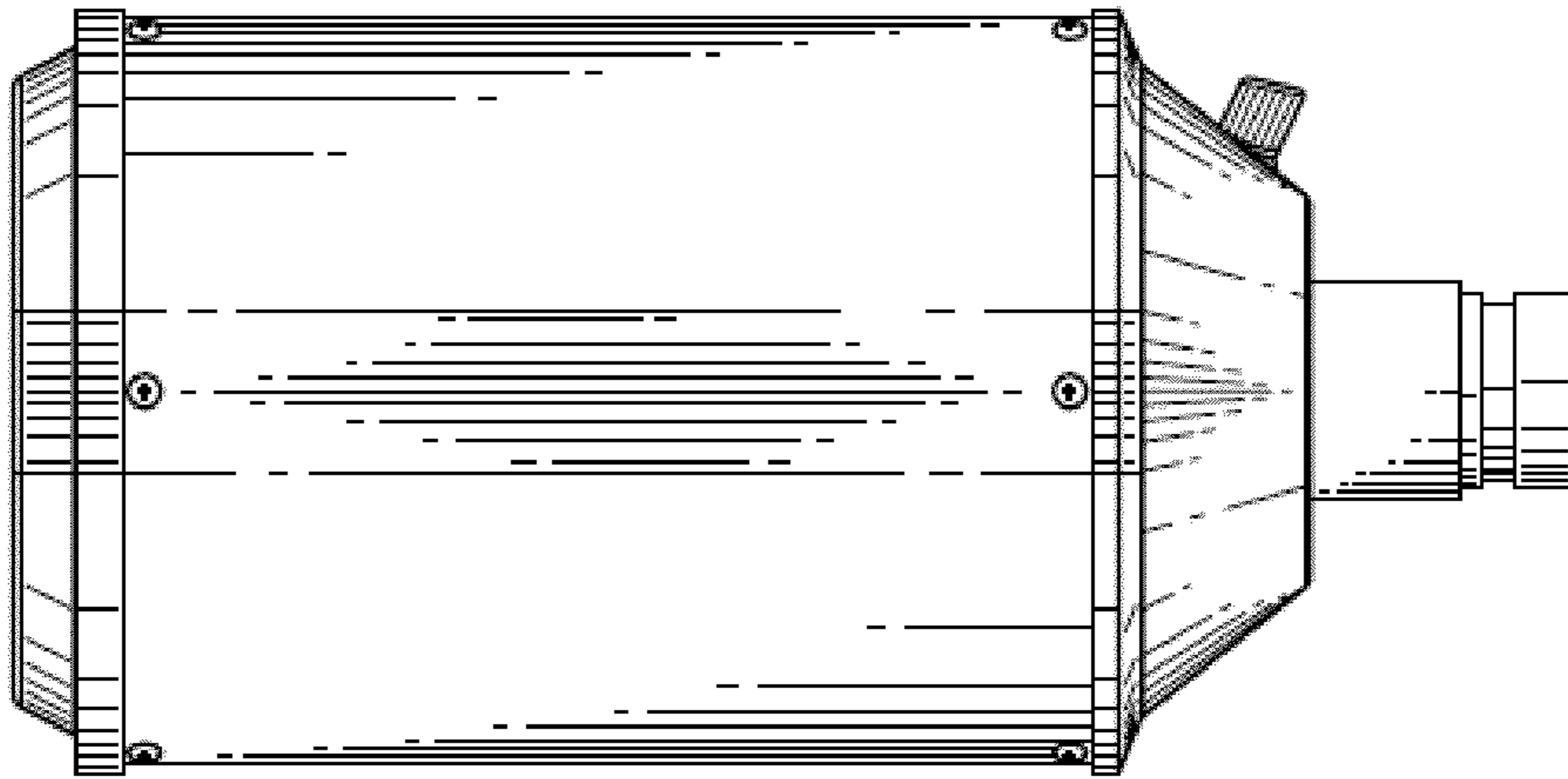


FIG. 4

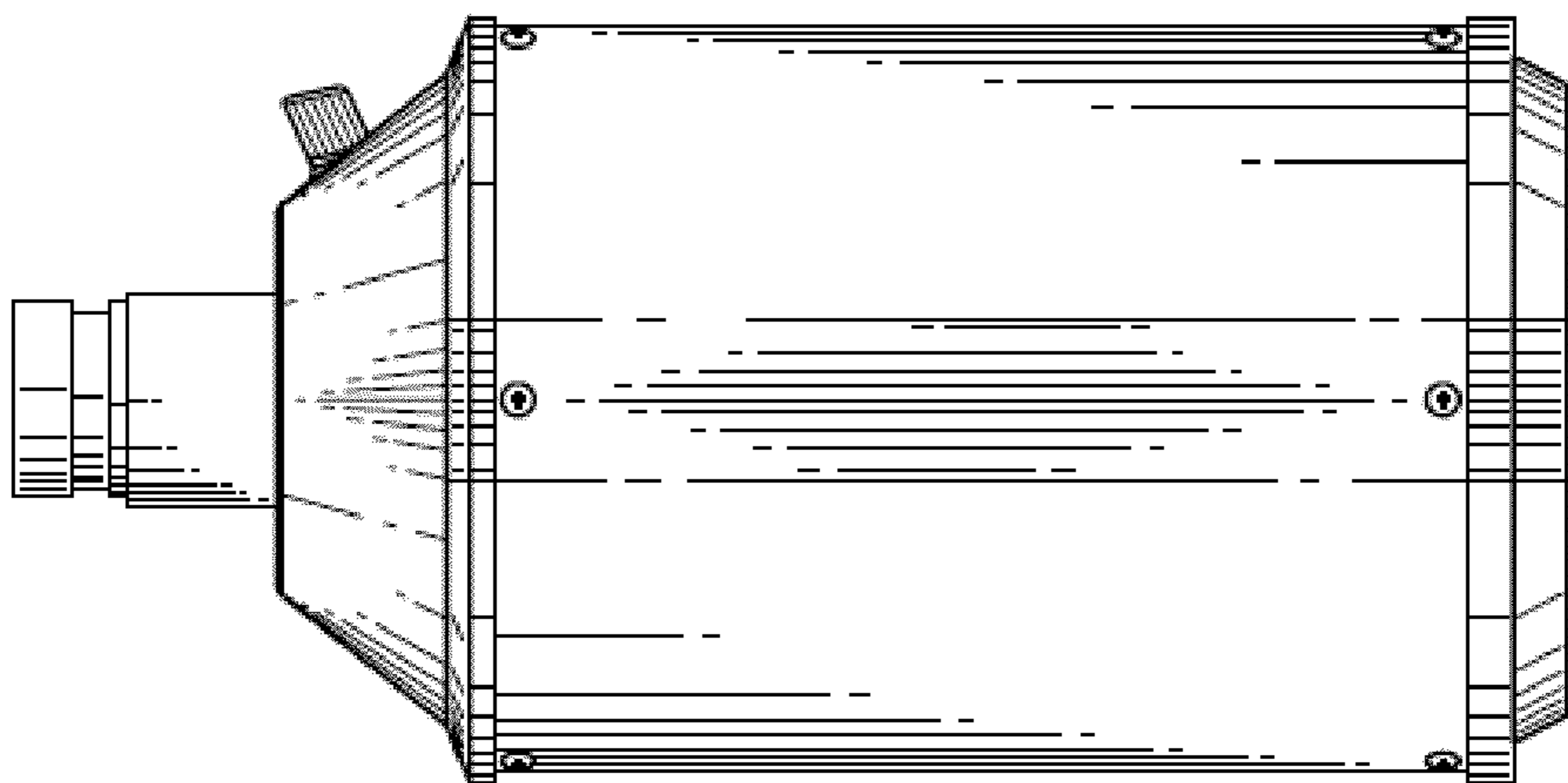


FIG. 5

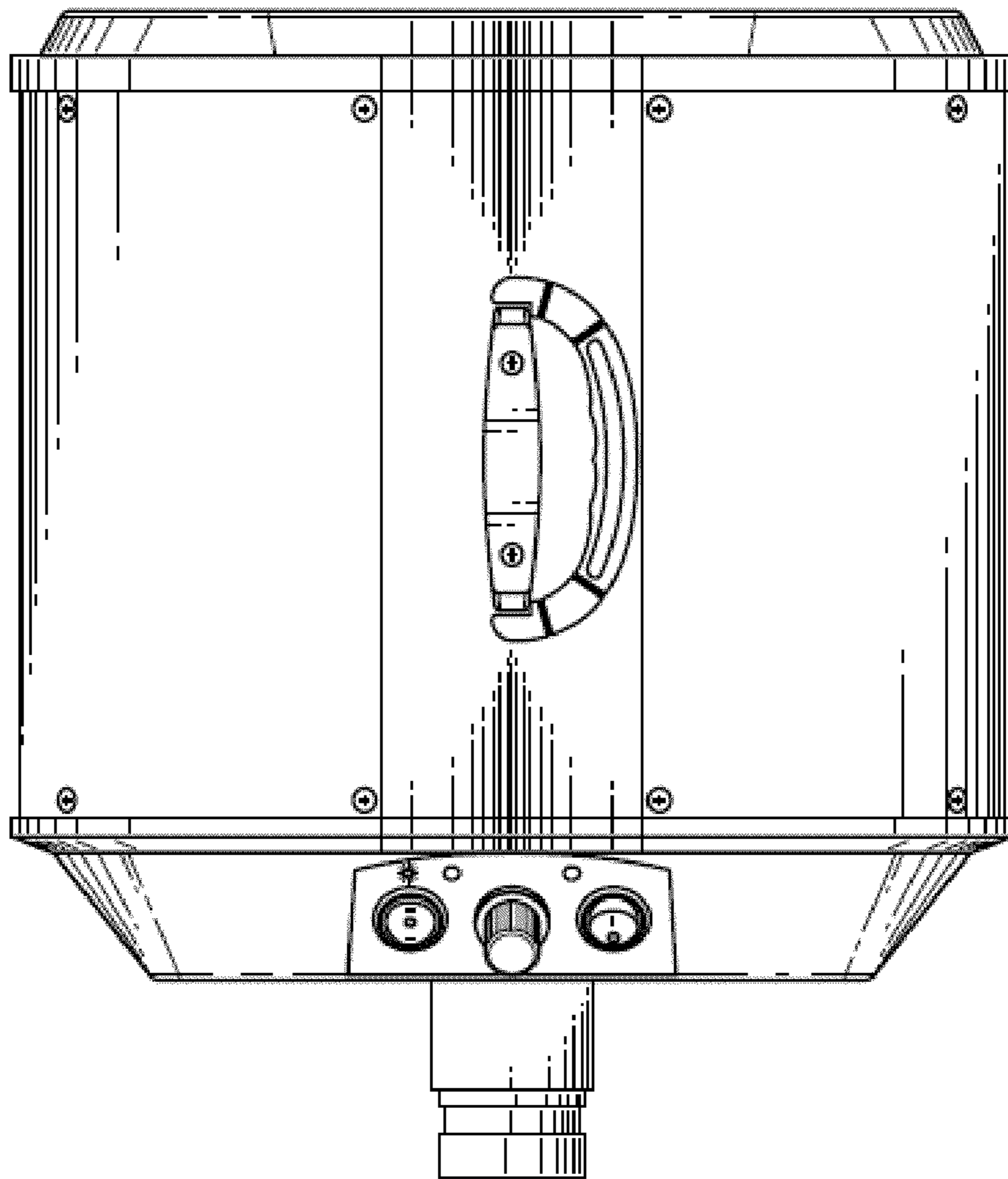


FIG. 6

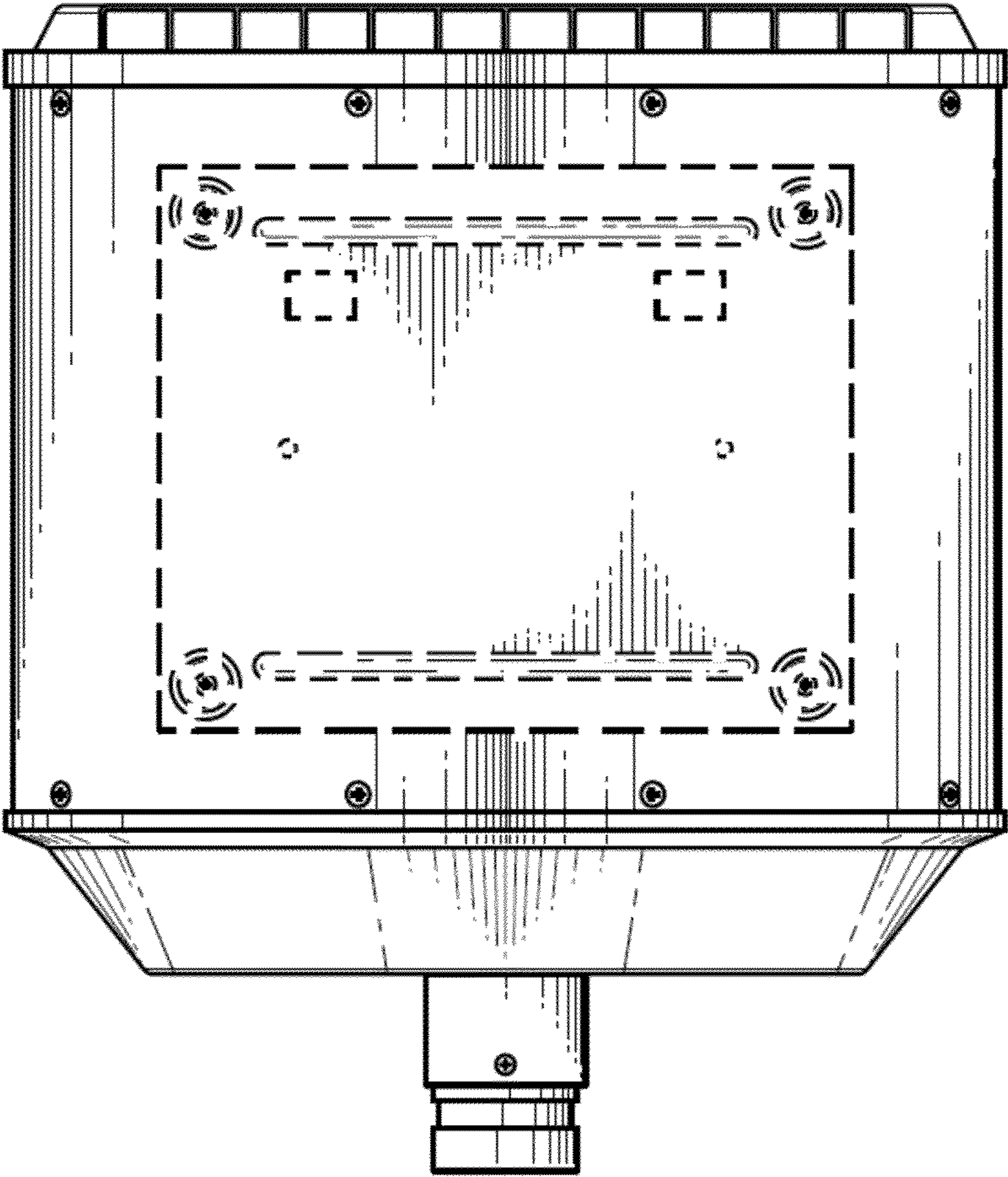


FIG. 7