



US00D734541S

(12) **United States Design Patent**
Petrucelli

(10) **Patent No.:** **US D734,541 S**
(45) **Date of Patent:** **** Jul. 14, 2015**

(54) **WHEELED PEDESTAL FOR HOLDING HAIR STYLING TOOLS**

(71) Applicant: **P.S. Pibbs, Inc.**, Flushing, NY (US)

(72) Inventor: **Giulio Petrucelli**, Flushing, NY (US)

(73) Assignee: **P.S. Pibbs, Inc.**, Flushing, NY (US)

(**) Term: **14 Years**

(21) Appl. No.: **29/454,853**

(22) Filed: **May 15, 2013**

(51) **LOC (10) Cl.** **28-03**

(52) **U.S. Cl.**
USPC **D28/17; D24/128; D28/9; D28/73; D28/10**

(58) **Field of Classification Search**
USPC D28/9, 10, 11, 73, 76, 17, 20, 38, 77, D28/99, 75; 248/121, 519, 188.7, 523; D6/677.3, 405, 682.6, 682.5; D10/125; D24/233, 128; D3/27, 23, 24; 132/273, 132/56; 112/169; D16/242, 249; 211/85.23
CPC A47K 1/08; A47F 5/08; A47F 5/02; A47F 5/04
See application file for complete search history.

(56) **References Cited**

U.S. PATENT DOCUMENTS

D192,492	S	*	3/1962	Bieurance	D28/38
4,744,536	A	*	5/1988	Bancalari	248/125.8
5,458,305	A	*	10/1995	Woodward	248/121
D372,092	S	*	7/1996	Brown, II	D24/128
5,713,554	A	*	2/1998	Lai	248/522
5,752,684	A	*	5/1998	Larkin	248/188.7
D403,533	S	*	1/1999	Paul	D6/458
6,059,239	A	*	5/2000	Wheeler	248/188.7
D435,177	S	*	12/2000	Buell et al.	D6/403

D482,212	S	*	11/2003	Nakaoka	D6/464
6,802,484	B1	*	10/2004	Kiley et al.	248/311.2
7,142,168	B1	*	11/2006	Sinclair	343/882
7,159,728	B2	*	1/2007	Smith	211/166
7,896,298	B2	*	3/2011	Meyers et al.	248/125.8
D670,752	S	*	11/2012	Barber	D16/242
8,313,066	B2	*	11/2012	Hampton et al.	248/121
8,567,730	B1	*	10/2013	Stevenson	248/125.8
D703,382	S	*	4/2014	Petrucelli	D28/73
D703,383	S	*	4/2014	Petrucelli	D28/73
D720,450	S	*	12/2014	Glenn	D24/128
2013/0055542	A1	*	3/2013	Hilton	29/428

* cited by examiner

Primary Examiner — Marianne Pandozzi

(74) *Attorney, Agent, or Firm* — Gerald E. Hespos; Michael J. Porco; Matthew T. Hespos

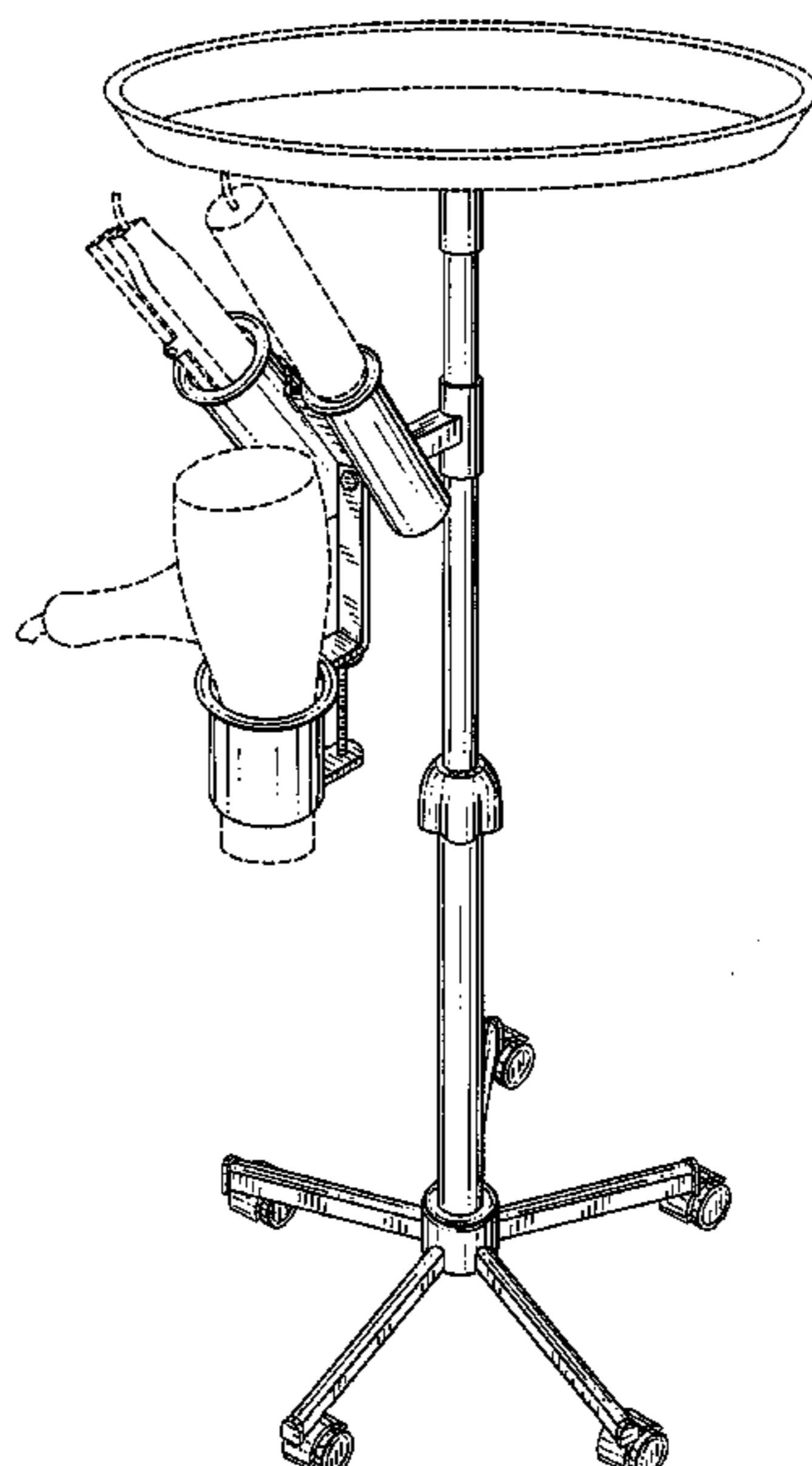
(57) **CLAIM**

The ornamental design for a wheeled pedestal for holding hair styling tools, as shown and described.

DESCRIPTION

FIG. 1 is an environmental perspective view of a wheeled pedestal for holding hair styling tools showing my new design;
FIG. 2 is a perspective view of a wheeled pedestal for holding hair styling tools;
FIG. 3 is a top plan view thereof;
FIG. 4 is a front view thereof;
FIG. 5 is a left side view thereof;
FIG. 6 is a right side thereof;
FIG. 7 is a rear view thereof; and,
FIG. 8 is a bottom plan view thereof.
The broken lines showing the hair styling tools and the work tray in FIG. 1 are for illustrative purposes only and form no part of the claimed design.

1 Claim, 8 Drawing Sheets



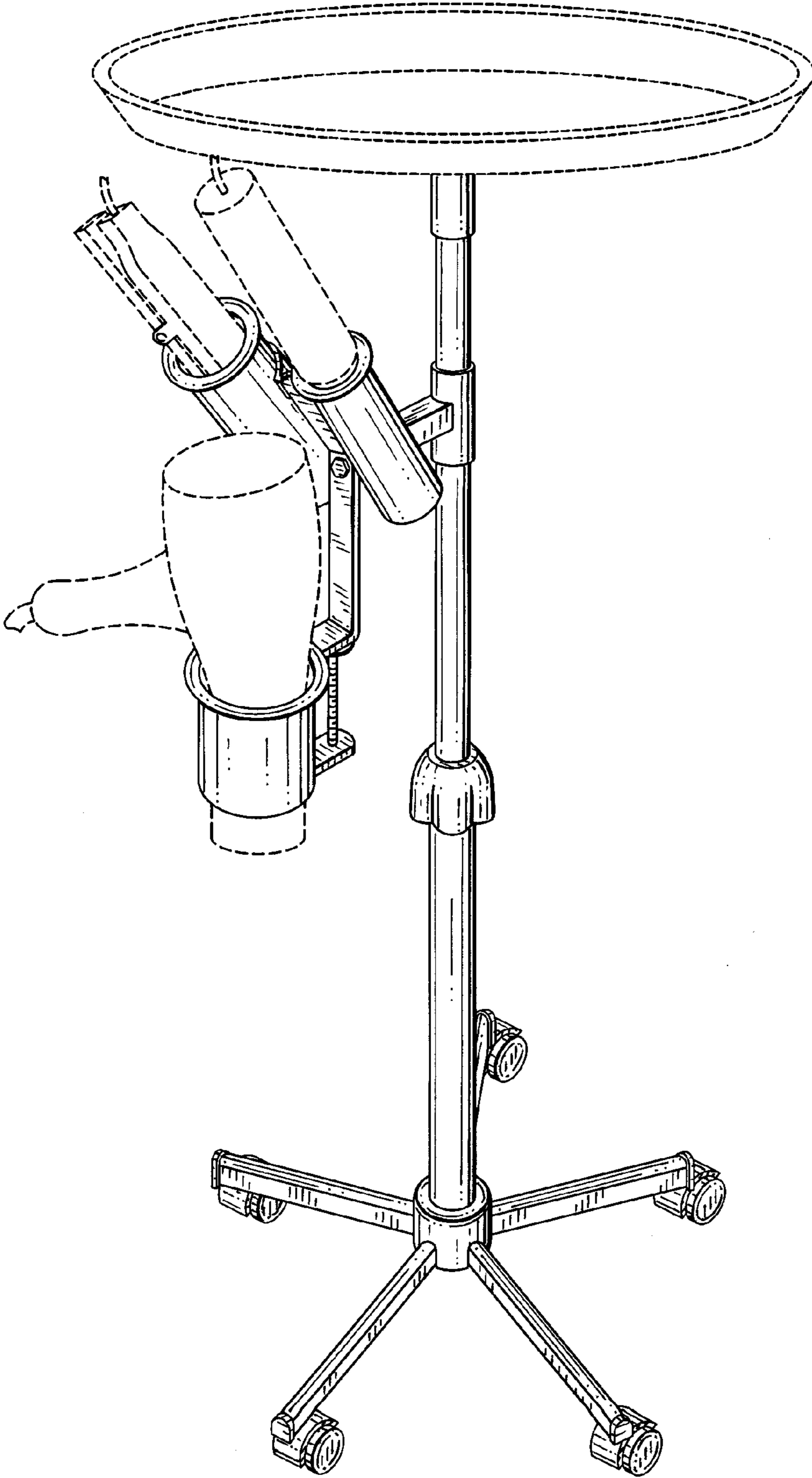


FIG. 1

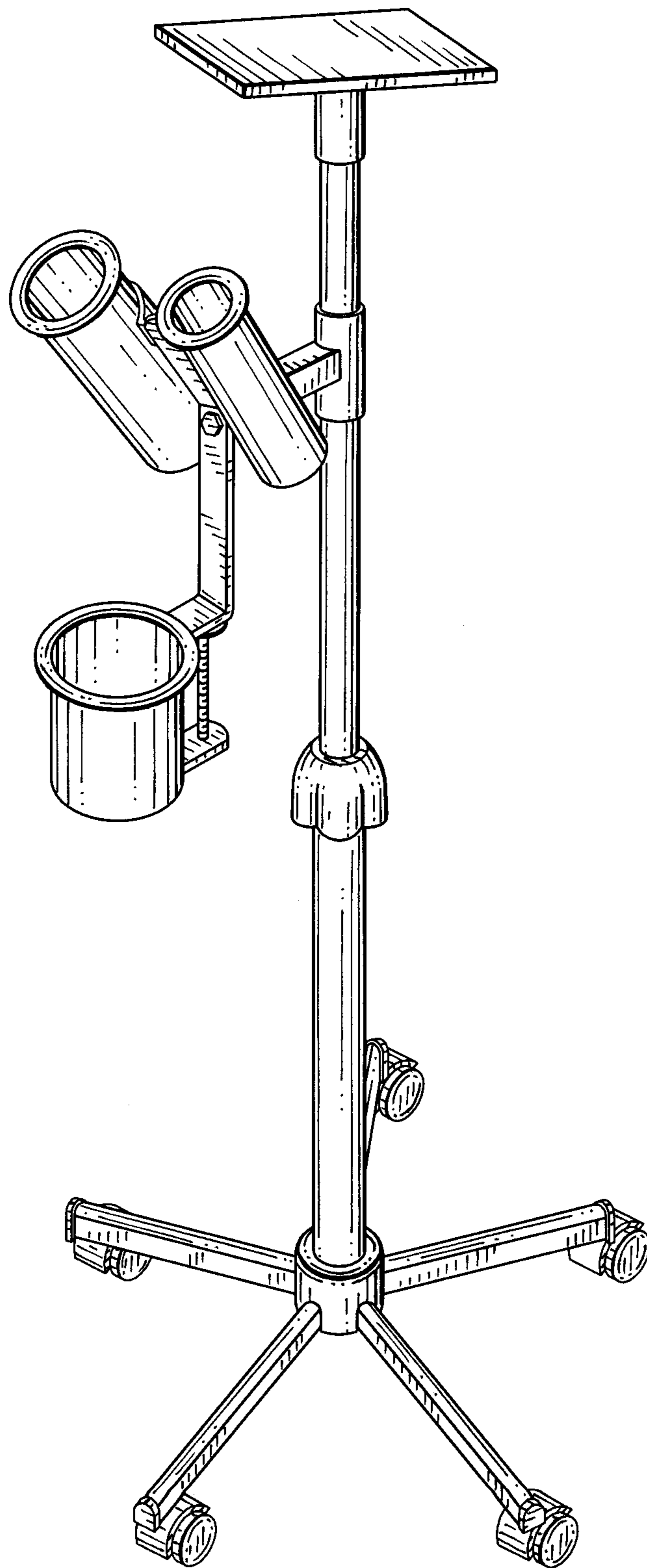


FIG.2

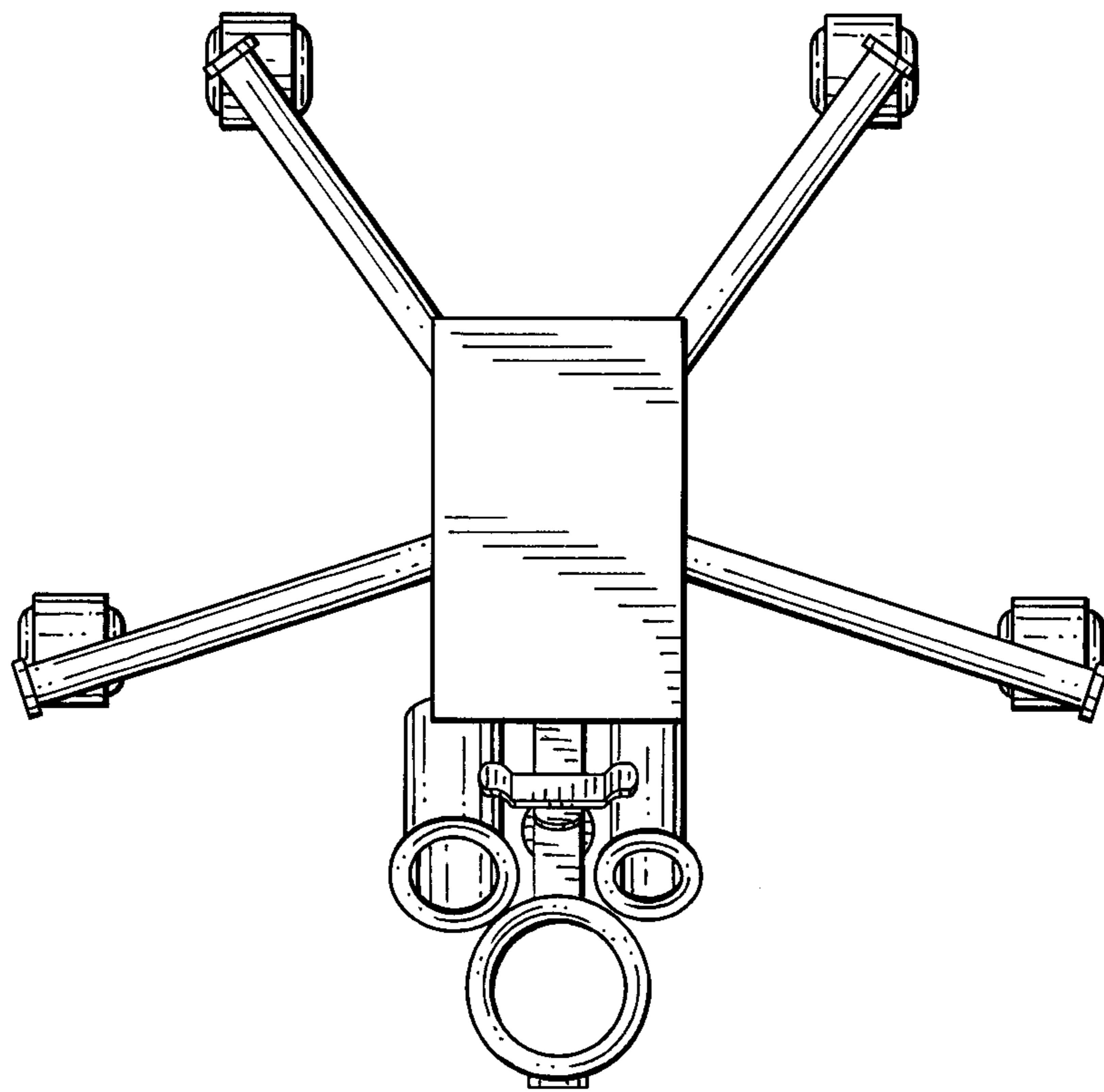


FIG.3

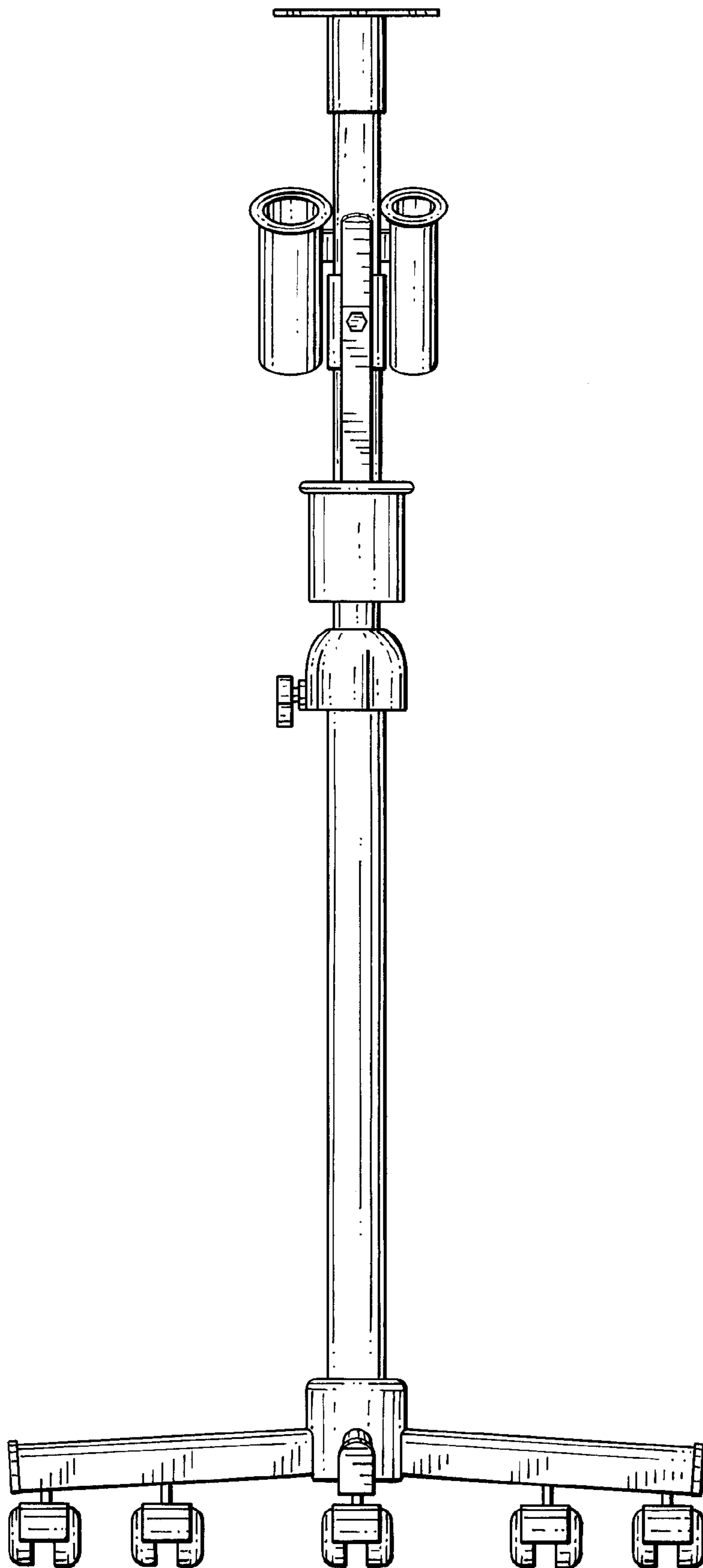


FIG.4

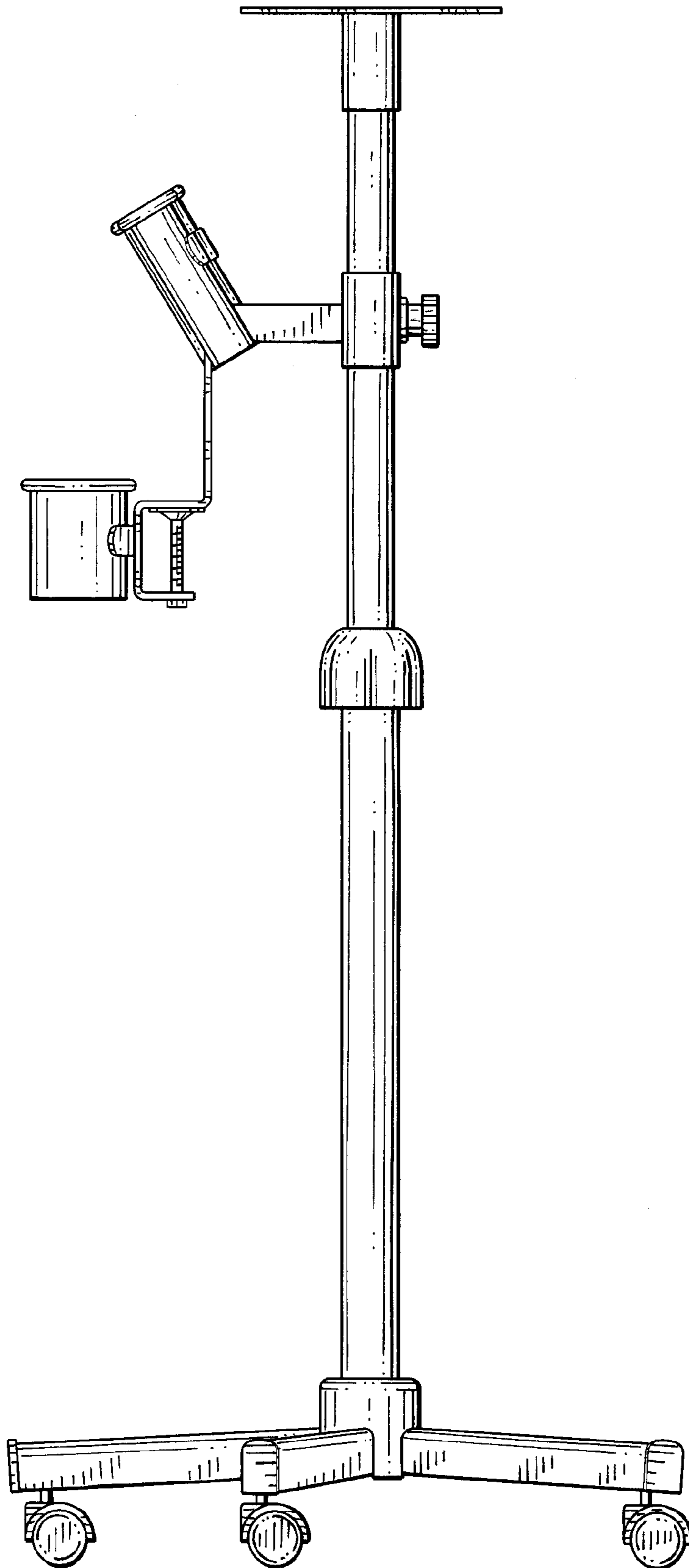


FIG.5

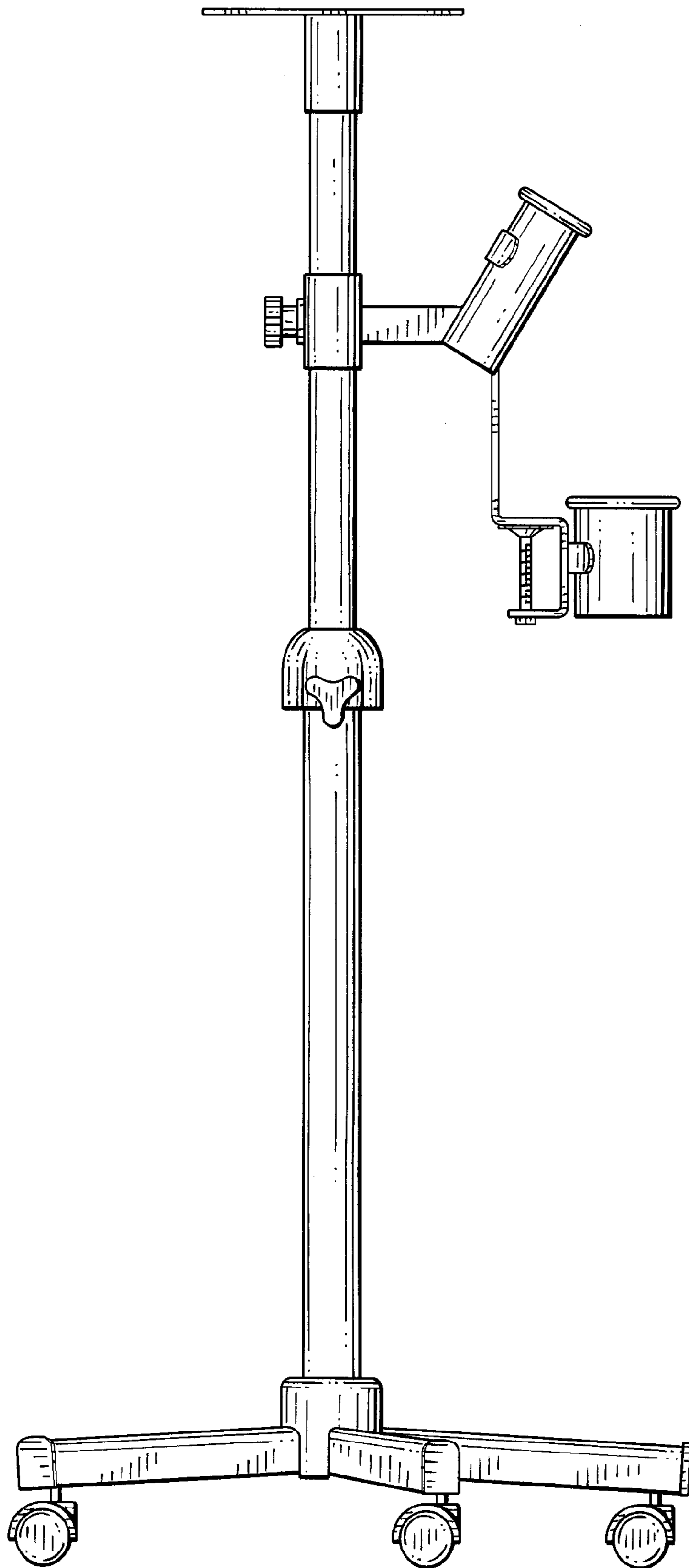


FIG.6

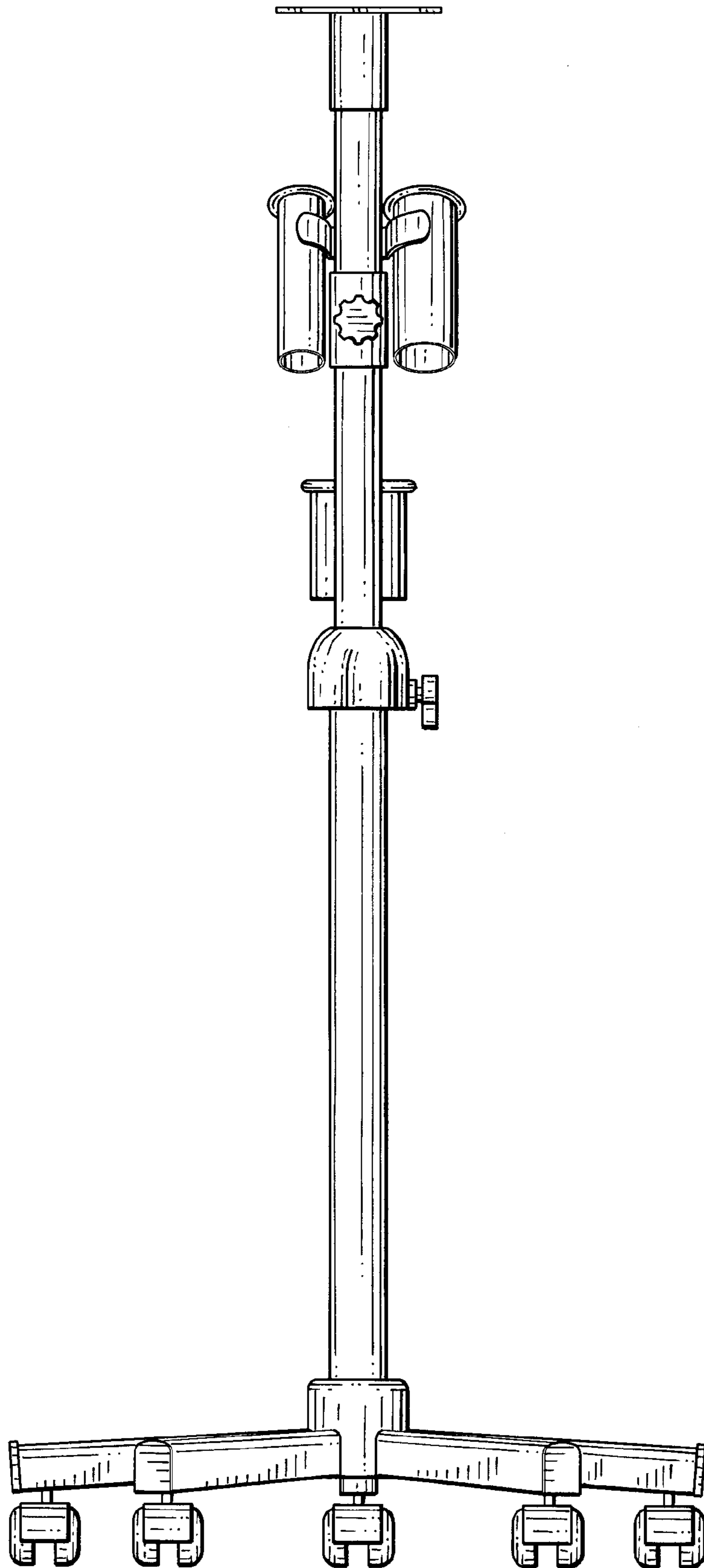


FIG.7

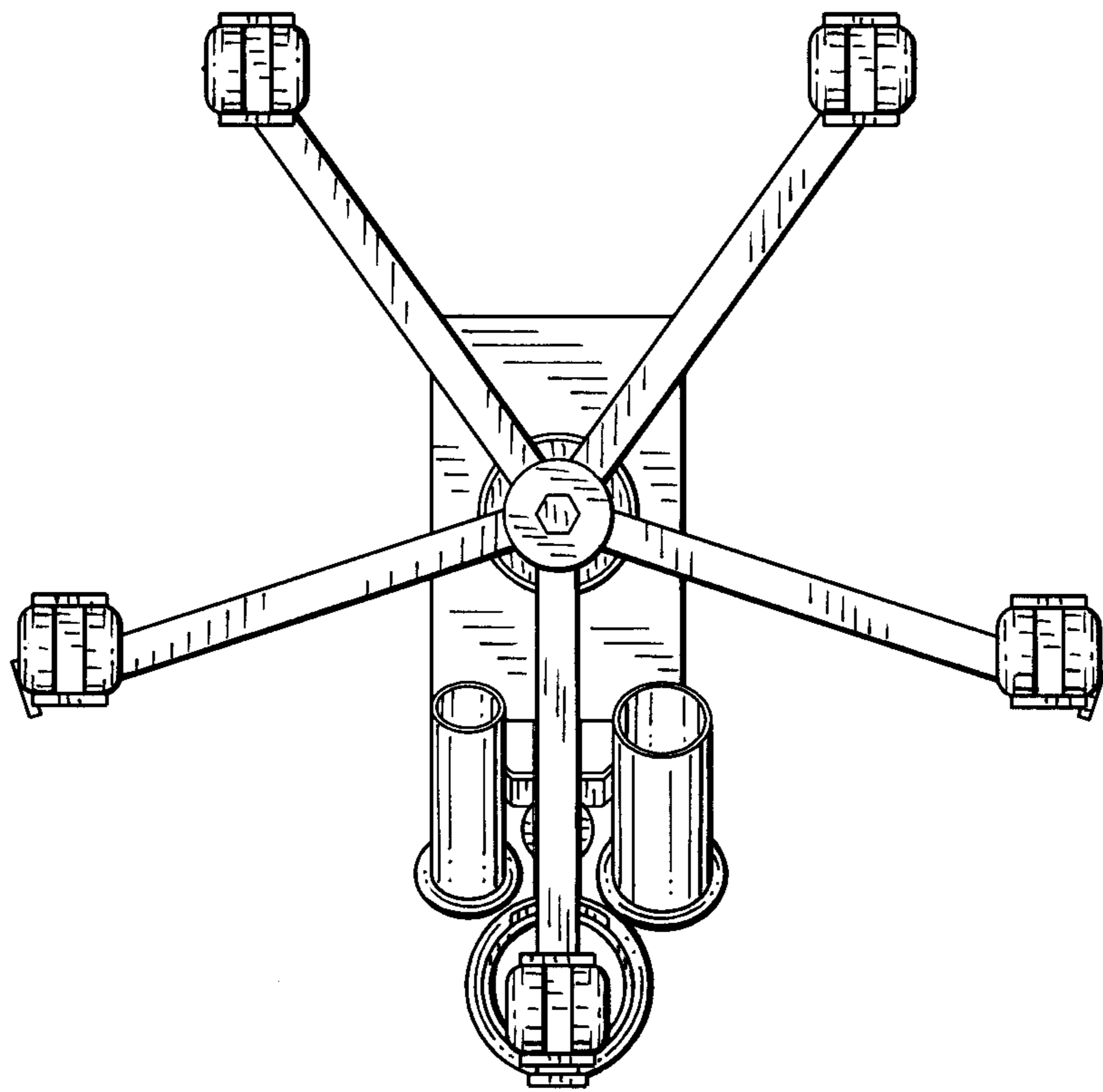


FIG. 8