



US00D734536S

(12) **United States Design Patent**
Sheynin et al.

(10) **Patent No.:** **US D734,536 S**

(45) **Date of Patent:** **** Jul. 14, 2015**

(54) **KEY-SHAPED ROACH CLIP**

(71) Applicants: **Andrew Sheynin**, New York, NY (US);
Andres Reyes, Bronx, NY (US);
Grzegorz Wecek, Middle Village, NY (US)

(72) Inventors: **Andrew Sheynin**, New York, NY (US);
Andres Reyes, Bronx, NY (US);
Grzegorz Wecek, Middle Village, NY (US)

(**) Term: **14 Years**

(21) Appl. No.: **29/473,926**

(22) Filed: **Nov. 26, 2013**

(51) **LOC (10) Cl.** **27-06**

(52) **U.S. Cl.**
USPC **D27/192; D8/34**

(58) **Field of Classification Search**
USPC D27/161, 167, 172, 183, 192, 194;
D11/215; D3/207, 208, 211; D8/18,
D8/33, 34, 38, 40, 72, 105, 394; 24/3.11,
24/3.12; D32/61-65; 131/257, 258, 190
CPC A24F 13/22; D06F 53/005
See application file for complete search history.

(56) **References Cited**

U.S. PATENT DOCUMENTS

1,257,609	A *	2/1918	Johnson	222/99
1,314,905	A *	9/1919	Sard	7/151
1,897,991	A *	2/1933	Arnof	7/126
1,974,856	A *	9/1934	White et al.	7/151
2,111,195	A *	3/1938	Skau	7/126
D111,564	S *	10/1938	Cullen	D8/34
D128,836	S *	8/1941	Van Der Clute	D32/61
D200,252	S *	2/1965	Brown	D8/18

3,267,534	A *	8/1966	Dansereau	24/3.1
D242,931	S *	1/1977	Kaiser et al.	D27/192
D246,995	S *	1/1978	Herman	D27/192
4,170,239	A *	10/1979	Herman	131/257
5,095,777	A *	3/1992	Osmar et al.	81/3.09
5,267,494	A *	12/1993	Waluda	81/3.09
5,365,760	A *	11/1994	Song	70/460
5,768,924	A *	6/1998	Song	70/408
D405,953	S *	2/1999	Legg	D3/210
D439,401	S *	3/2001	Johnson	D3/211
D478,207	S *	8/2003	Johnson	D3/207
D499,543	S *	12/2004	Johnson	D3/211
D505,846	S *	6/2005	Toma	D8/38
D528,880	S *	9/2006	Belflower	D8/16
D581,655	S *	12/2008	Johnson	D3/211
D587,936	S *	3/2009	Johnson	D6/467
D635,760	S *	4/2011	Torres	D3/211
D693,202	S *	11/2013	Berman	D8/105
D705,034	S *	5/2014	Connell	D8/105

* cited by examiner

Primary Examiner — Susan Bennett Hattan

Assistant Examiner — Janice Hallmark

(57) **CLAIM**

The ornamental design for a key-shaped roach clip, substantially as shown and described.

DESCRIPTION

FIG. 1 is a front elevational view of a key-shaped roach dip showing my new design.

FIG. 2 is a perspective view of the right side thereof.

FIG. 3 is a rear elevational view thereof.

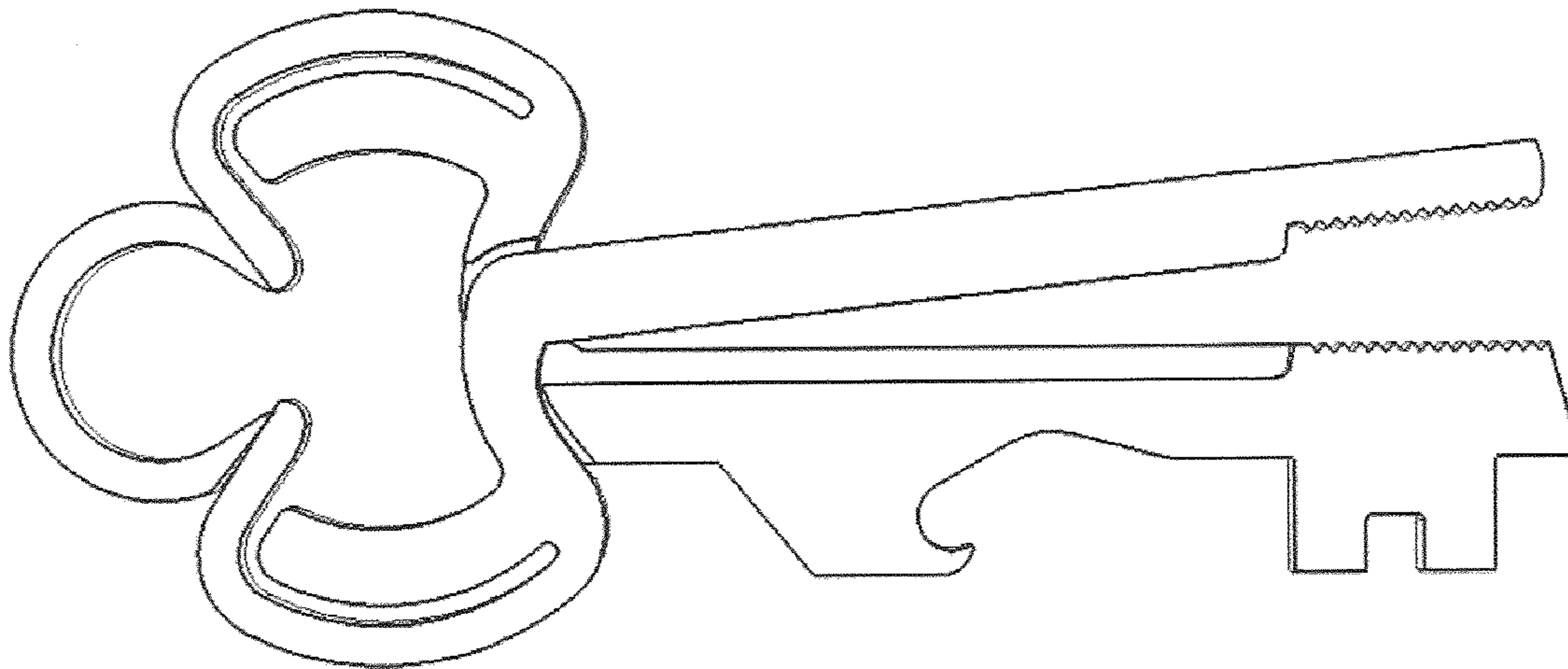
FIG. 4 is a perspective view of the left side thereof.

FIG. 5 is a bottom perspective view thereof.

FIG. 6 is a top perspective view thereof; and,

FIG. 7 is a front elevational view thereof shown in the open condition.

1 Claim, 1 Drawing Sheet



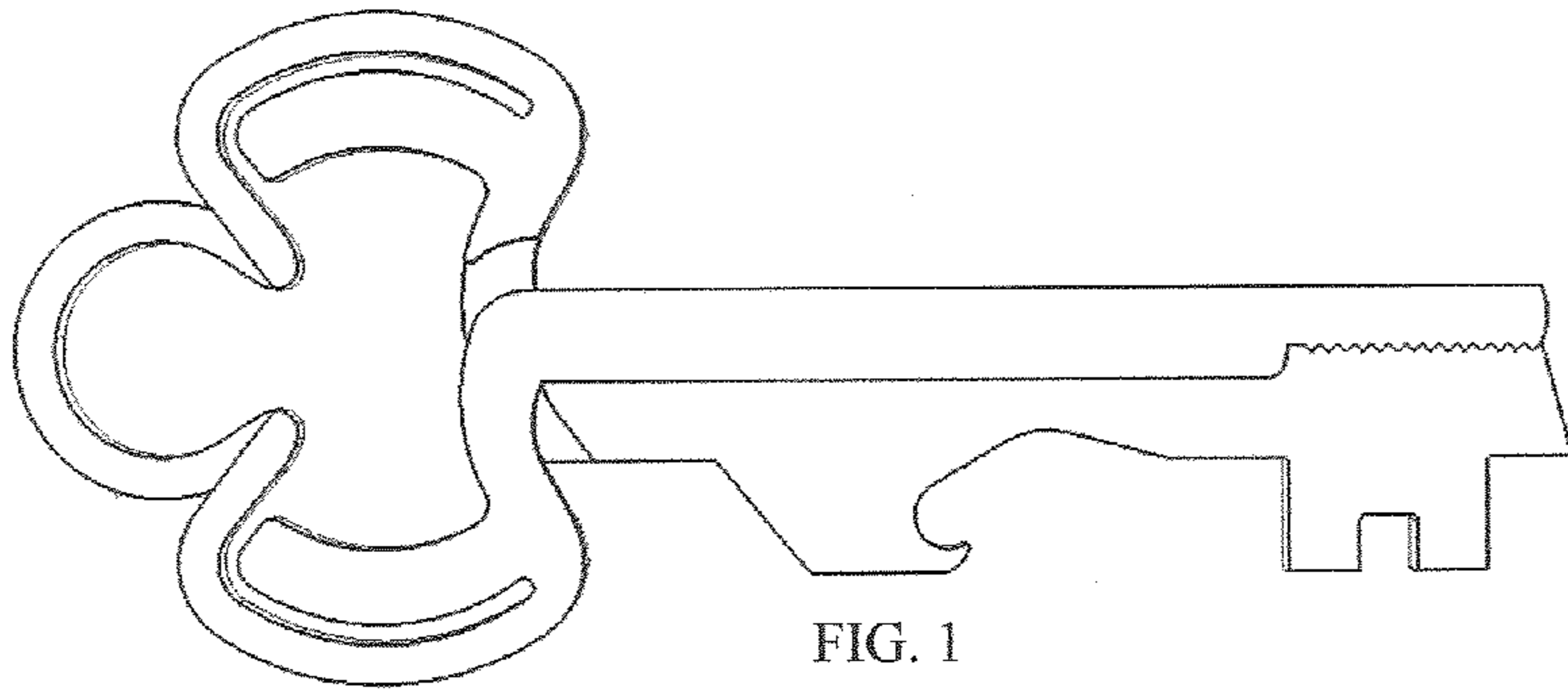


FIG. 1

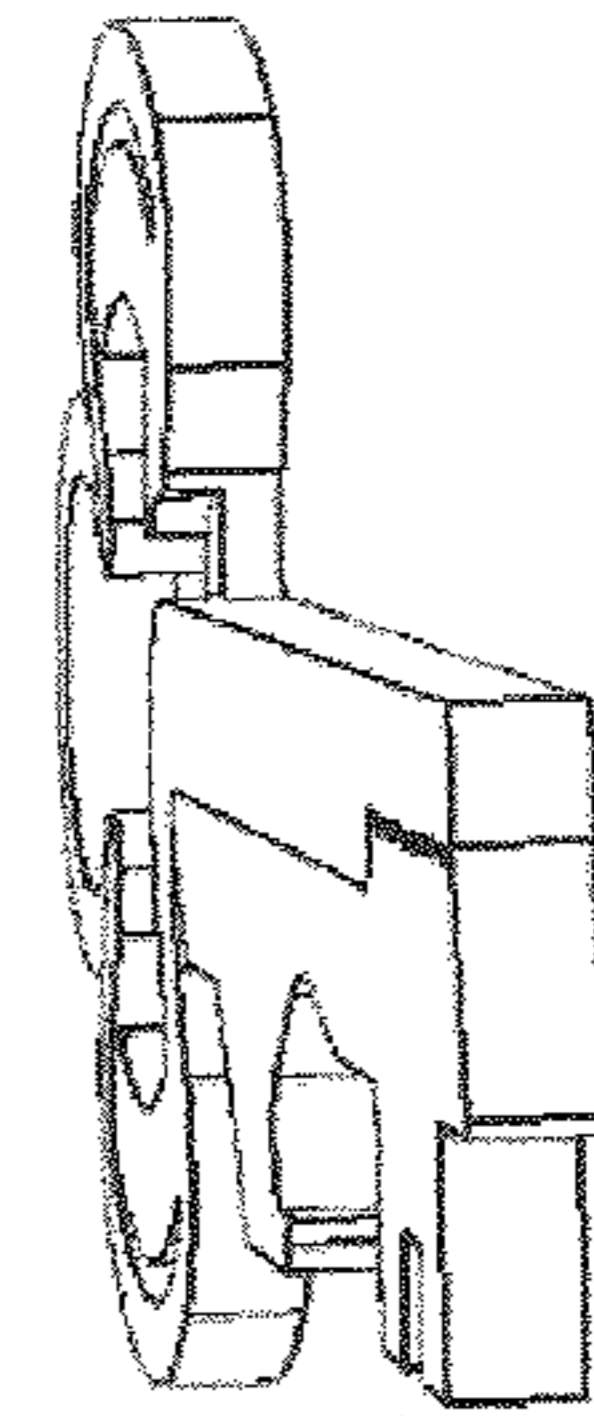


FIG. 2

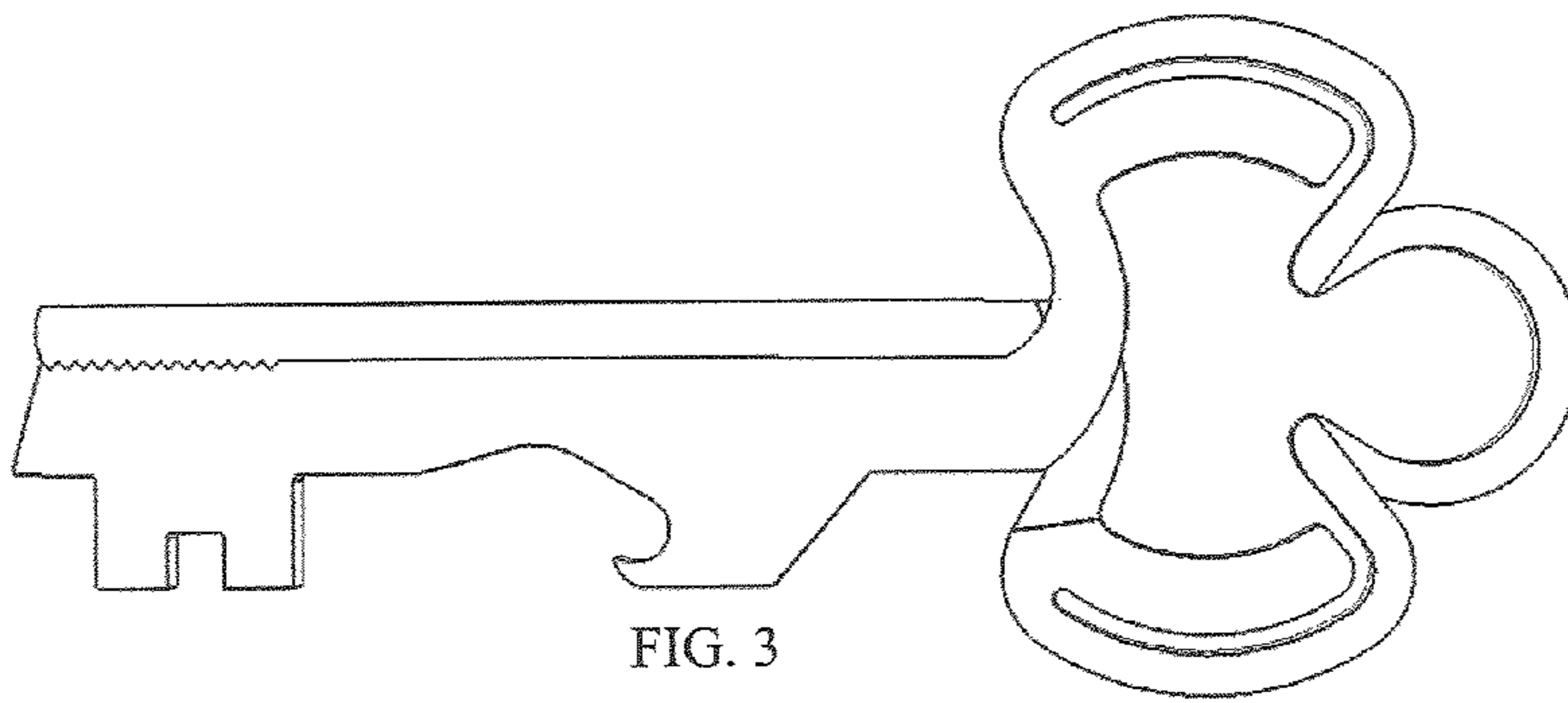


FIG. 3

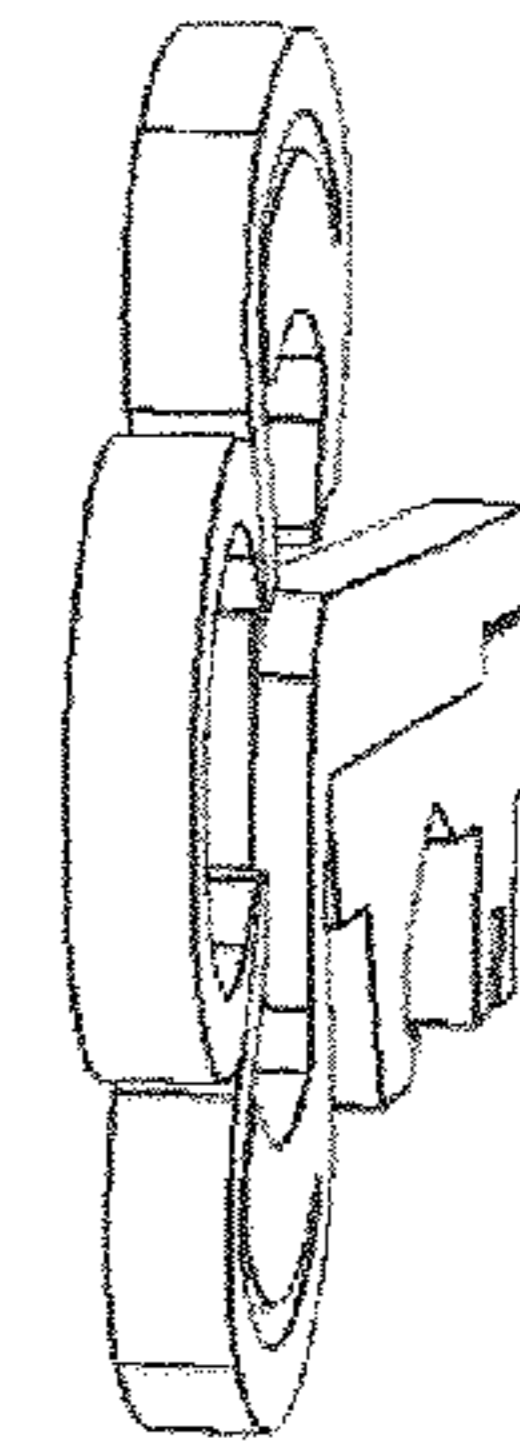


FIG. 4

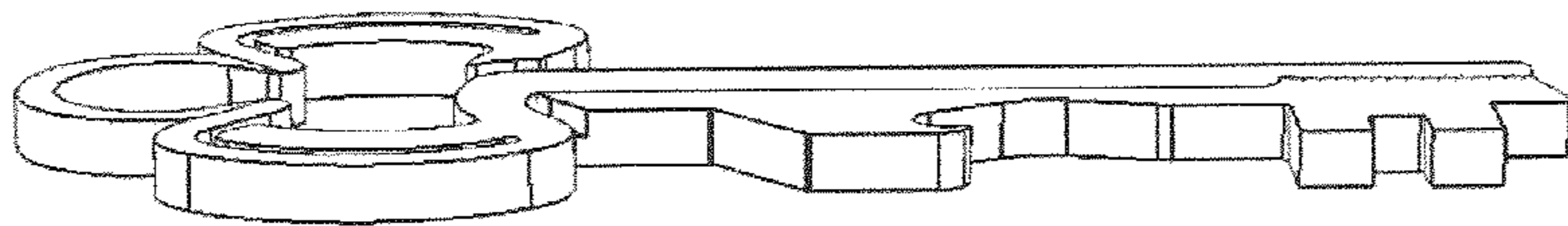


FIG. 5

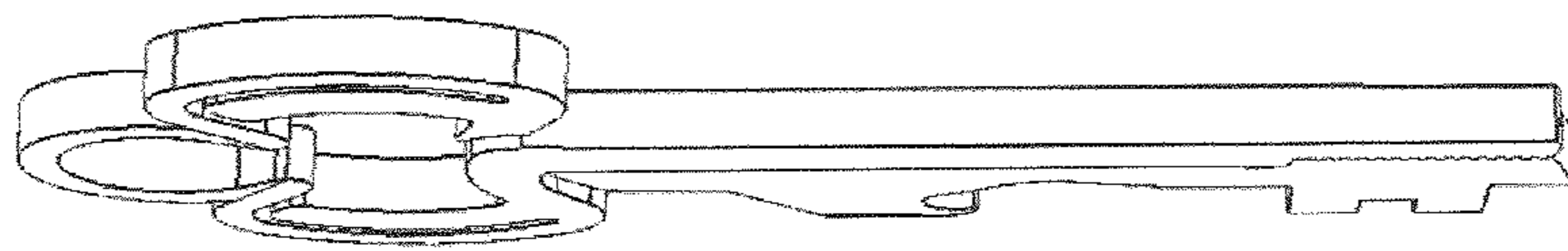


FIG. 6

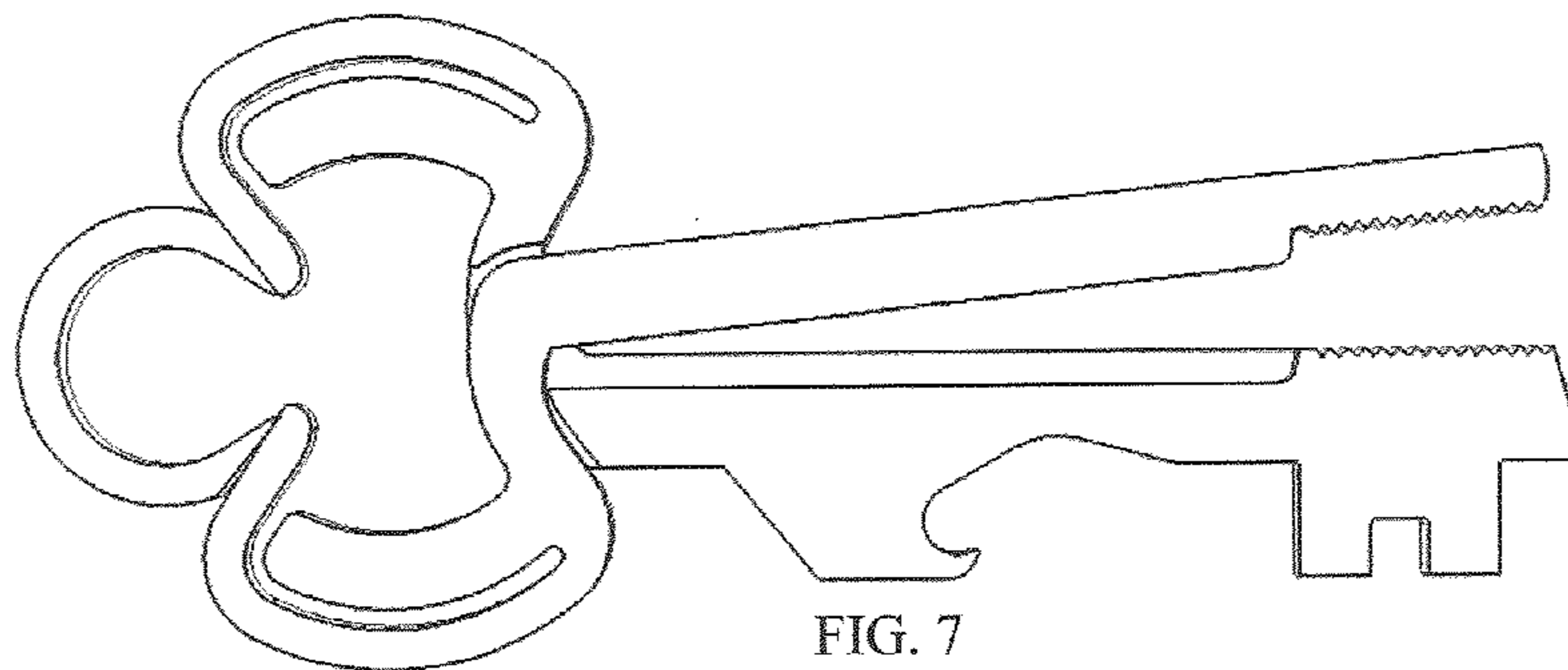


FIG. 7