



US00D734535S

(12) **United States Design Patent**  
**Dyer**

(10) **Patent No.:** **US D734,535 S**  
(45) **Date of Patent:** **\*\* Jul. 14, 2015**

- (54) **LOCKING CIGARETTE CASE**
- (71) Applicant: **Leorick Dwayne Dyer**, Troy, MI (US)
- (72) Inventor: **Leorick Dwayne Dyer**, Troy, MI (US)
- (\*\*) Term: **14 Years**
- (21) Appl. No.: **29/478,941**
- (22) Filed: **Jan. 9, 2014**
- (51) **LOC (10) Cl.** ..... **27-06**
- (52) **U.S. Cl.**  
USPC ..... **D27/189**
- (58) **Field of Classification Search**  
USPC ..... D27/129, 141, 144, 152, 153, 157, 160,  
D27/172, 174, 175, 183, 186, 187, 189–191,  
D27/193, 194; D9/420, 423, 504, 529, 545,  
D9/686, 688; D13/108; 206/242, 249, 250,  
206/256, 259, 261, 264, 265, 267, 268;  
D3/273, 276, 294; 131/270–273,  
131/329–330, 347  
CPC ..... A24F 13/14; A24F 9/16; A24F 15/00;  
A24F 15/12; A24F 15/14; A24F 15/18;  
A24F 15/005; A24F 15/20; A24F 23/00;  
A24F 23/04  
See application file for complete search history.

(56) **References Cited**

**U.S. PATENT DOCUMENTS**

1,624,858	A *	4/1927	Buckthorpe et al.	206/262
1,632,335	A *	6/1927	Hiering	206/136
2,017,722	A *	10/1935	Magnus	132/296
2,397,439	A *	3/1946	Schwartz	150/131
2,474,714	A *	6/1949	Averna	206/265
2,482,920	A *	9/1949	Levi	220/326
2,611,480	A *	9/1952	Lavanish	206/238
2,635,741	A *	4/1953	Broda	206/92
2,649,753	A *	8/1953	Doye, Jr.	116/307
2,812,851	A *	11/1957	Kinnebrew	206/236
2,836,288	A *	5/1958	Atchison	206/89
D199,011	S *	8/1964	Vogt	D27/187

3,627,114	A *	12/1971	Mitchell	206/263
3,822,906	A *	7/1974	Gaines	292/251.5
D298,574	S *	11/1988	Long et al.	D27/187
5,826,715	A *	10/1998	Thompson	206/261
5,996,783	A *	12/1999	Herchelroth	206/261
D487,192	S *	3/2004	Farnham et al.	D3/294
D542,529	S *	5/2007	Peart et al.	D3/276
D550,108	S *	9/2007	Kesselman	D10/91
D550,109	S *	9/2007	Kesselman	D10/91
D612,094	S *	3/2010	Bellamah et al.	D27/189
D623,051	S *	9/2010	Giraud et al.	D9/420
D692,615	S *	10/2013	Verleur	D27/186
D693,054	S *	11/2013	Verleur	D27/189
2006/0243611	A1 *	11/2006	Wu	206/242
2007/0246382	A1 *	10/2007	He	206/250

\* cited by examiner

*Primary Examiner* — Susan Bennett Hattan

*Assistant Examiner* — Janice Hallmark

(74) *Attorney, Agent, or Firm* — QuickPatents; Kevin Prince

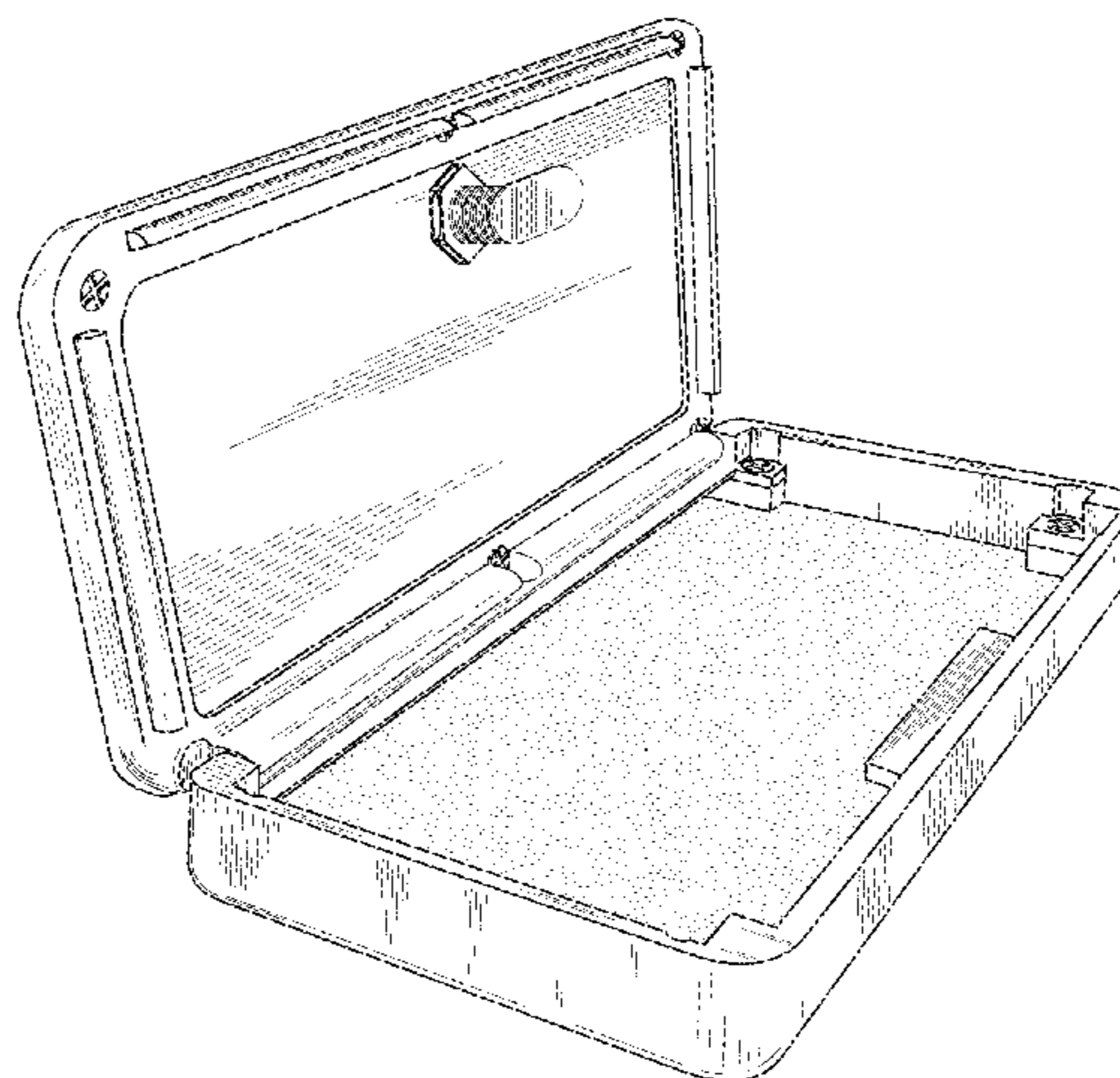
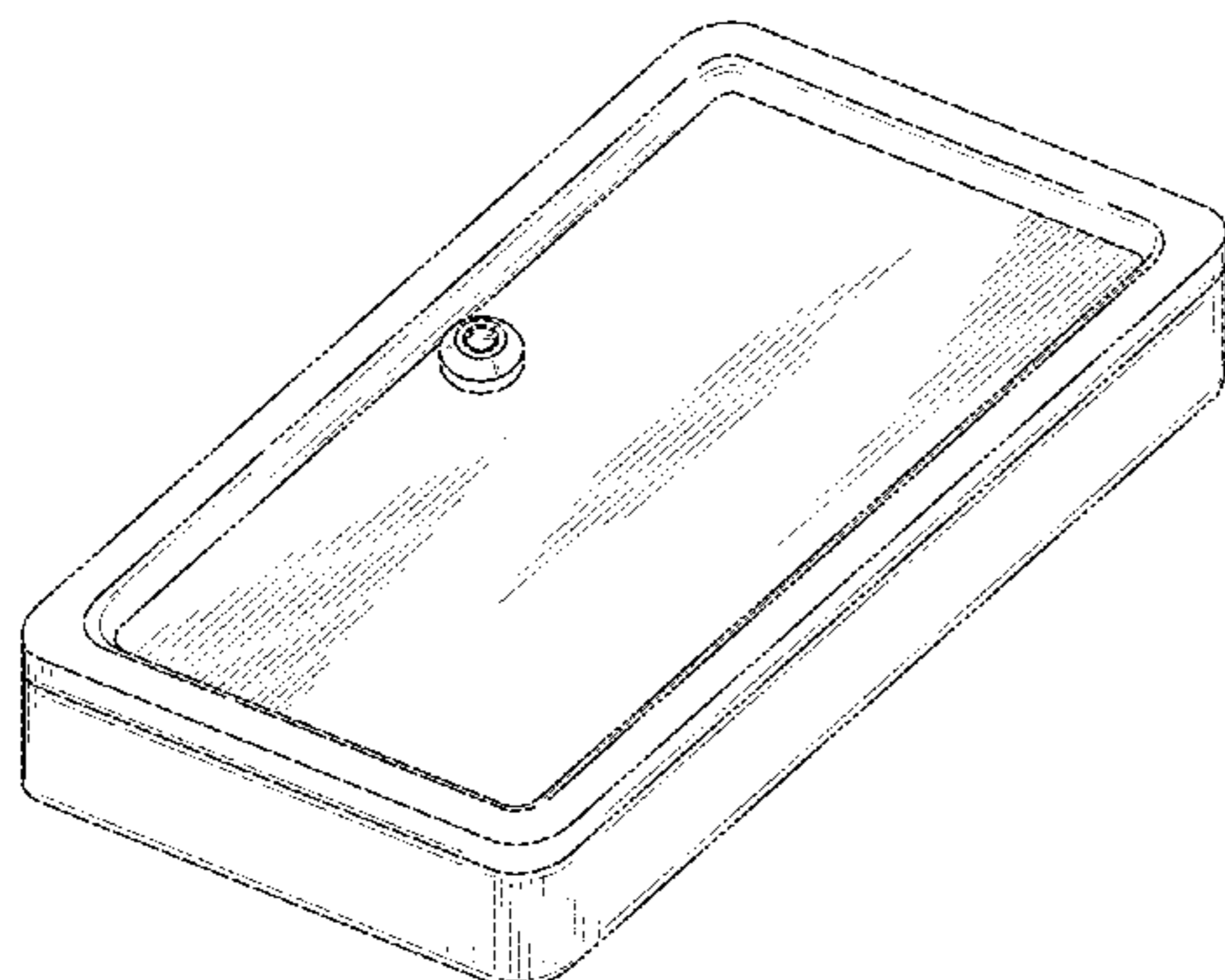
(57) **CLAIM**

I claim the ornamental design for a locking cigarette case, as shown and described.

**DESCRIPTION**

FIG. 1 is a perspective view of a locking cigarette case, showing my new design in a closed position; FIG. 2 is a left-side elevational view of FIG. 1, the right-side elevational view being a mirror image thereof; FIG. 3 is a front elevational view of FIG. 1; FIG. 4 is a rear elevational view of FIG. 1; FIG. 5 is a top plan view of FIG. 1; FIG. 6 is a bottom plan view of FIG. 1; FIG. 7 is a perspective view of a locking cigarette case in an open position; FIG. 8 is a left-side elevational view of FIG. 7, the right-side elevational view being a mirror image thereof; FIG. 9 is a front elevational view of FIG. 7; FIG. 10 is a rear elevational view of FIG. 7; and, FIG. 11 is a top plan view of FIG. 7.

**1 Claim, 6 Drawing Sheets**



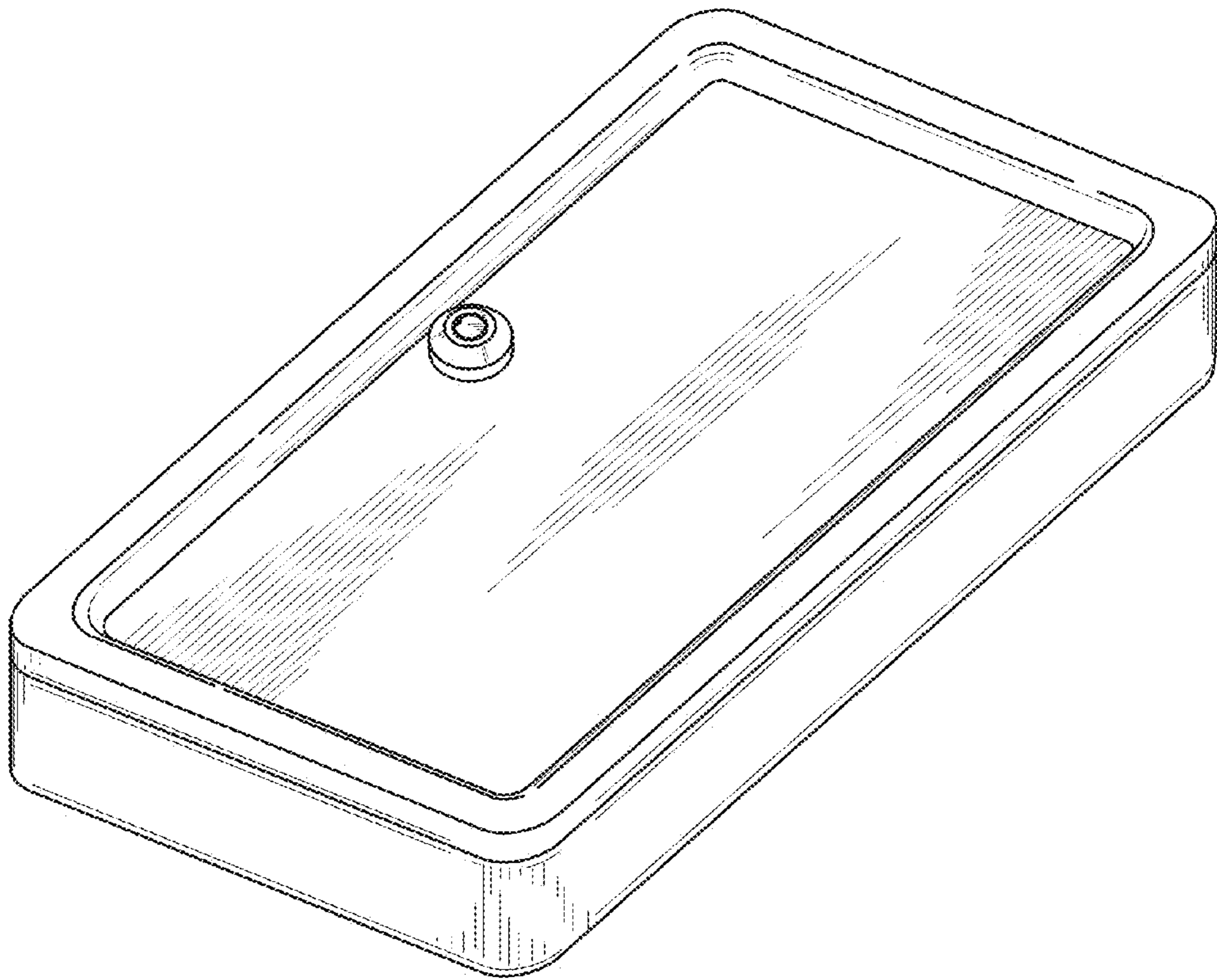


FIG. 1

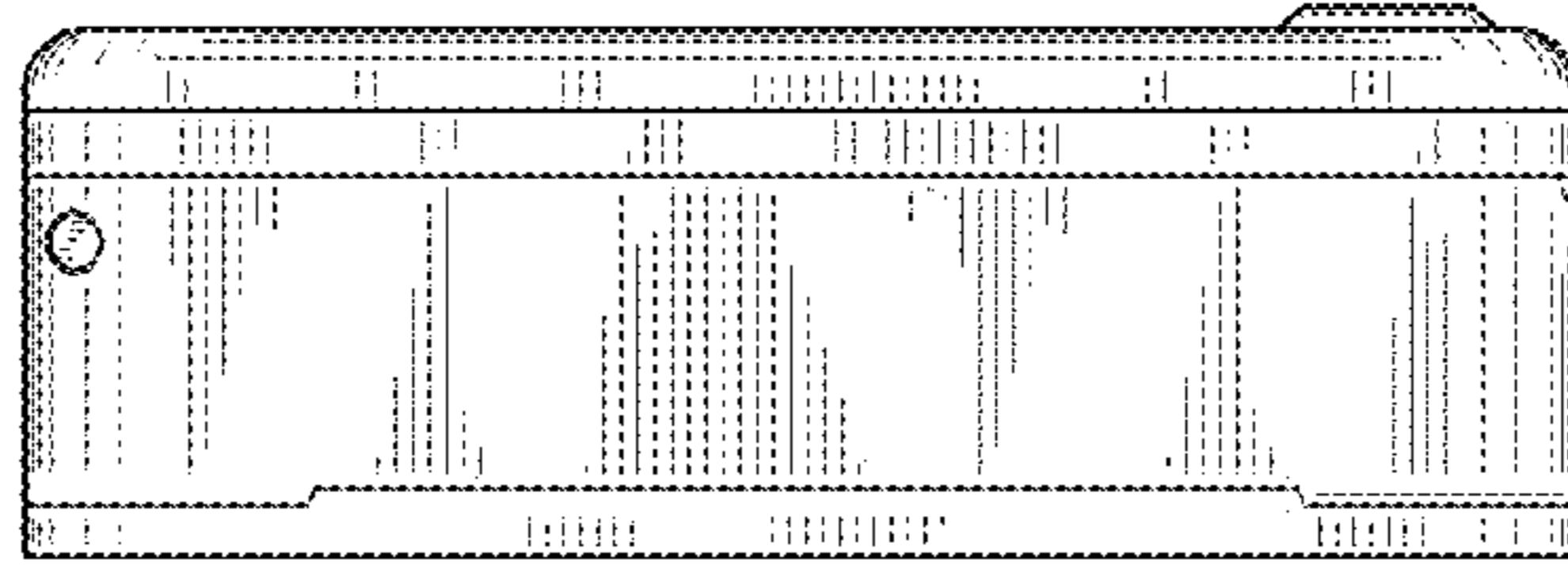


FIG. 2

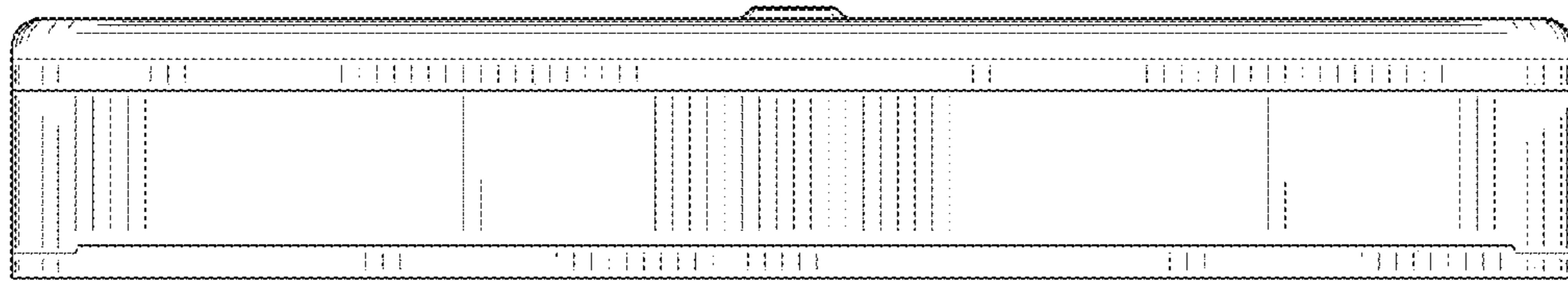


FIG. 3

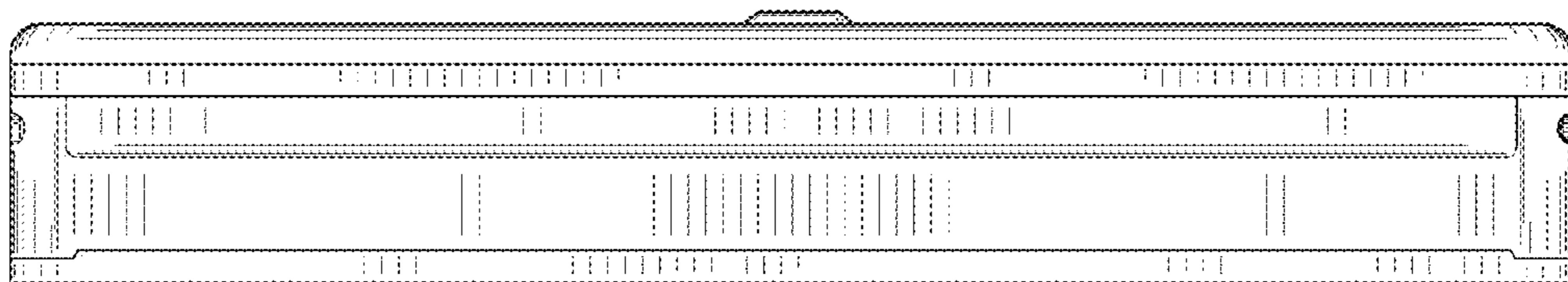


FIG. 4

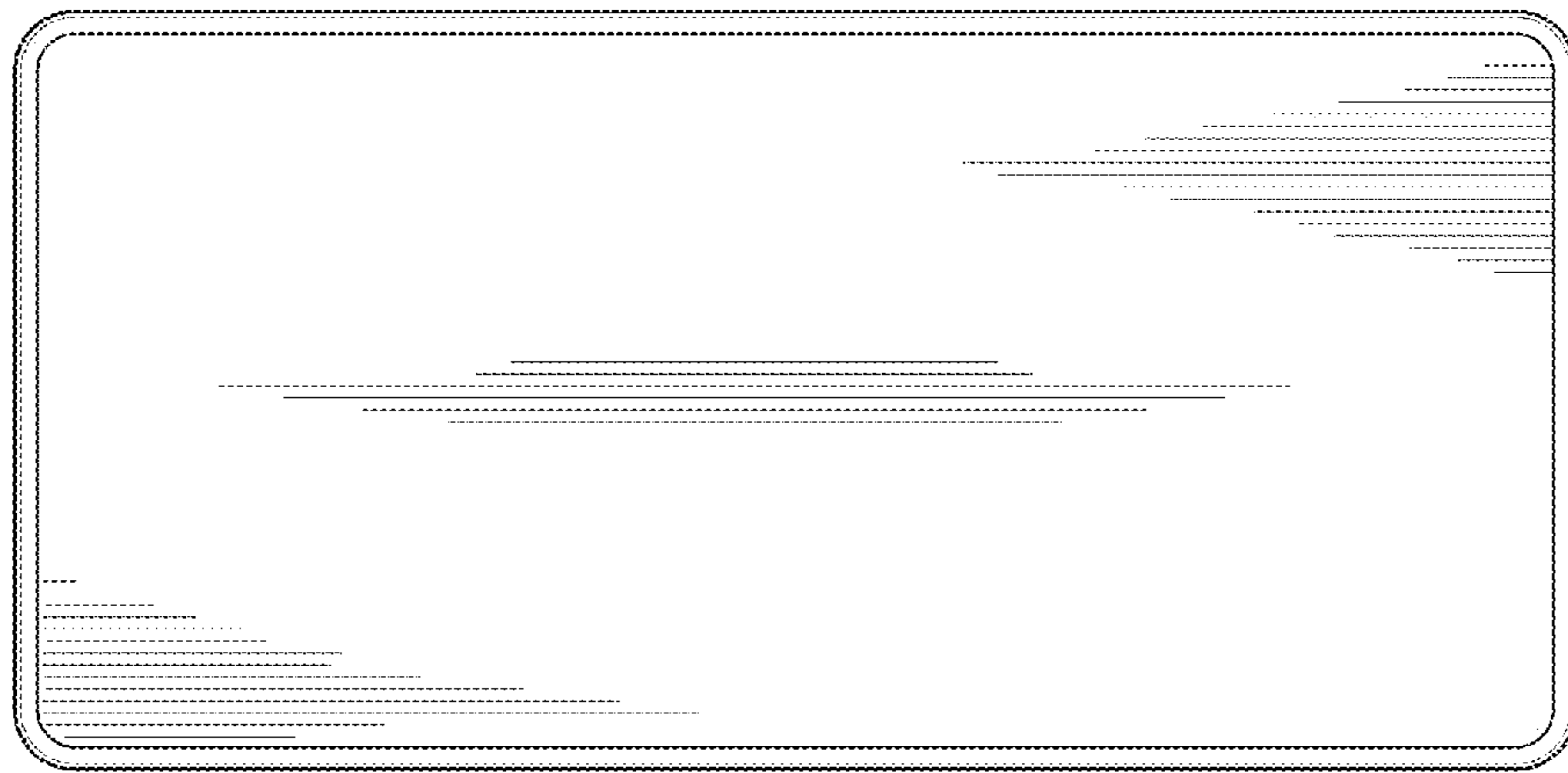


FIG. 6

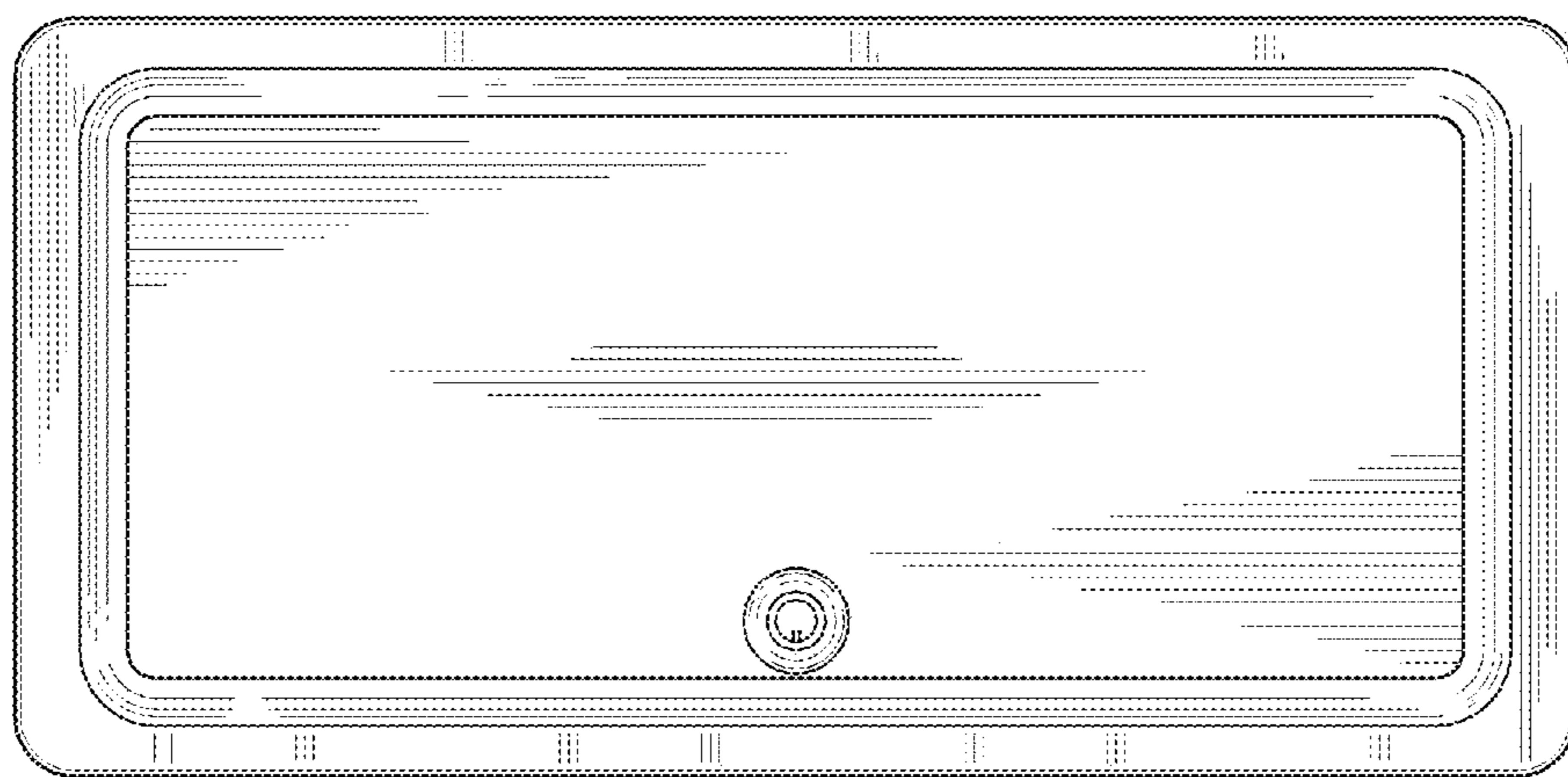


FIG. 5

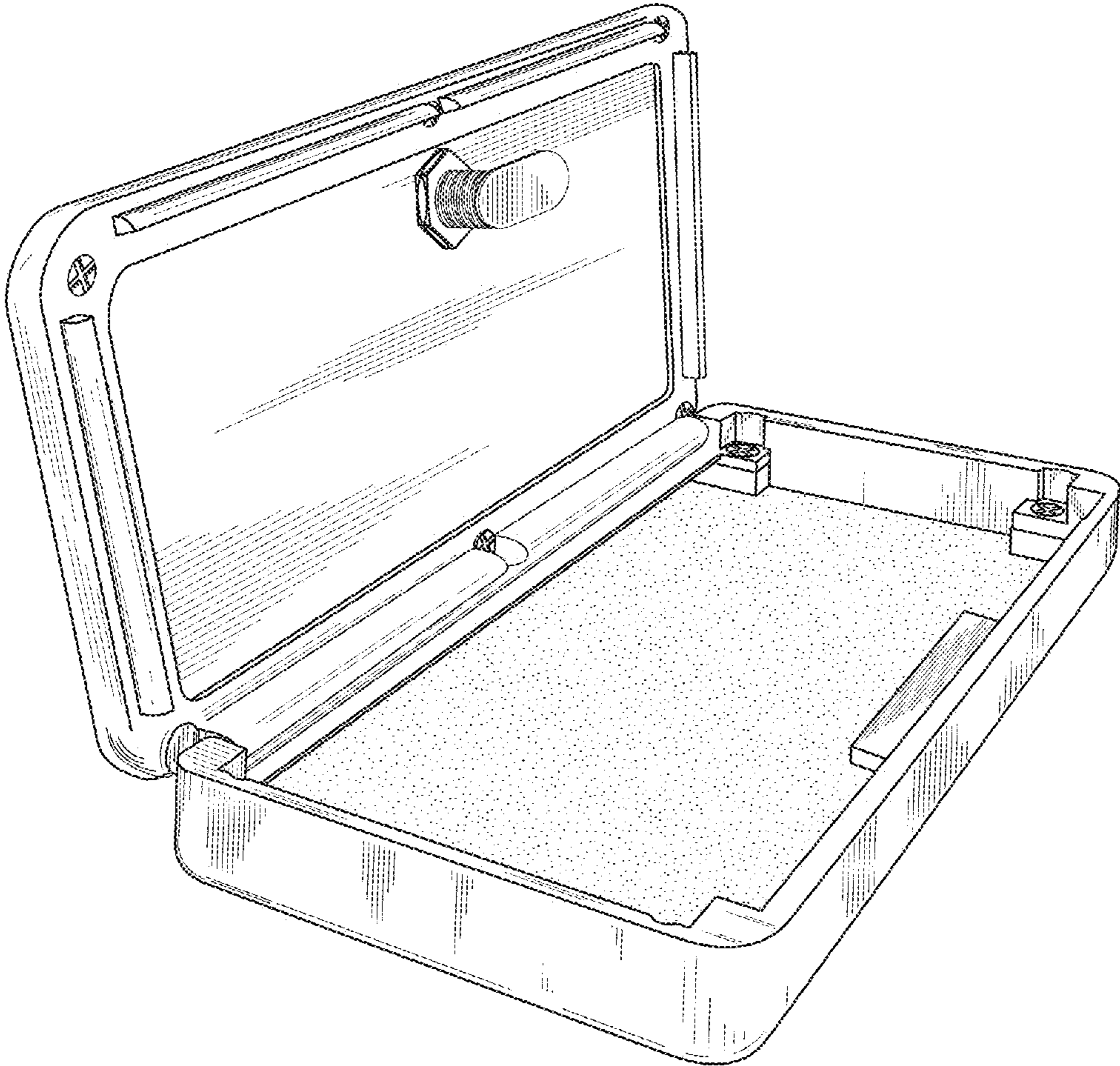


FIG. 7

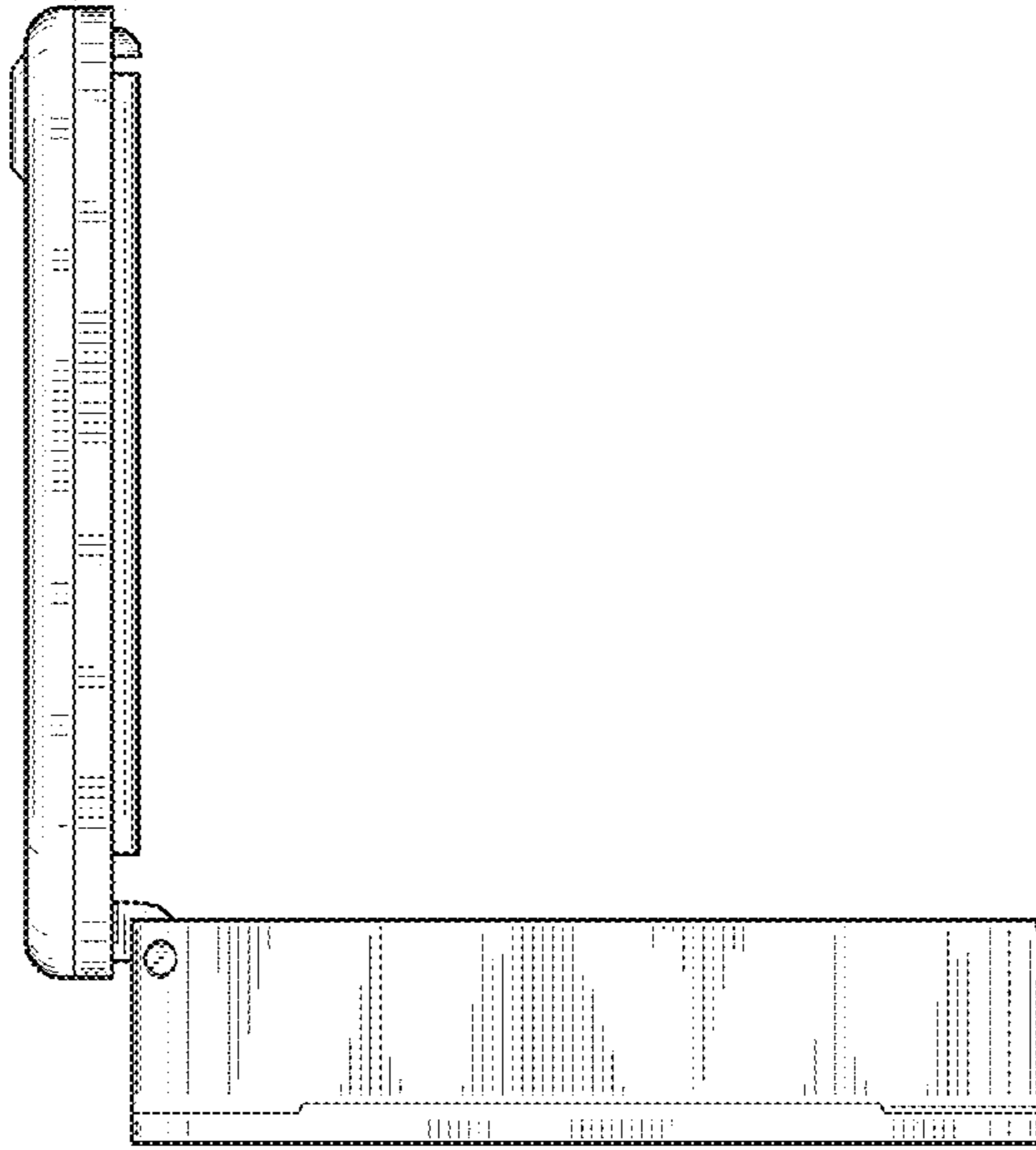


FIG. 8

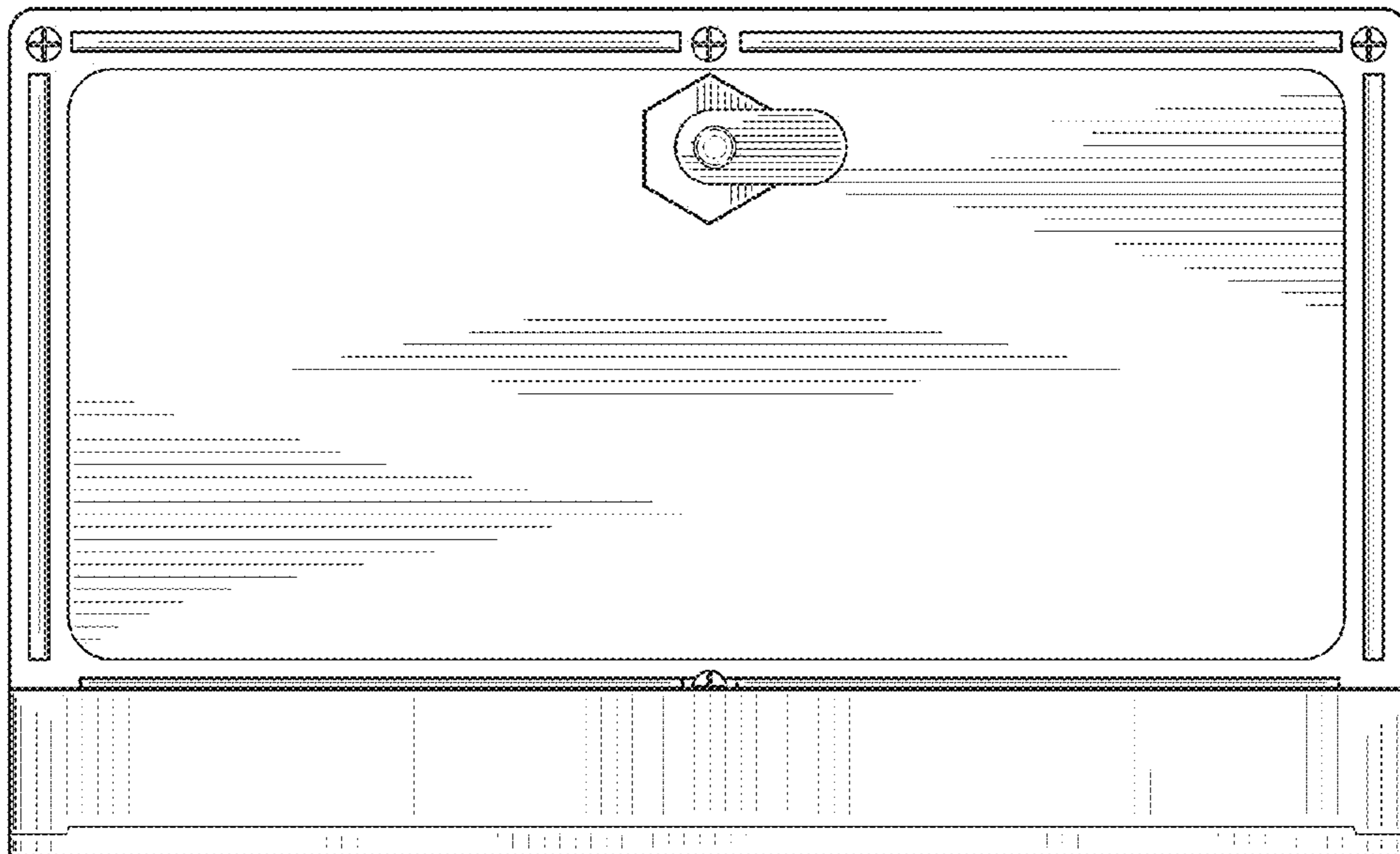


FIG. 9

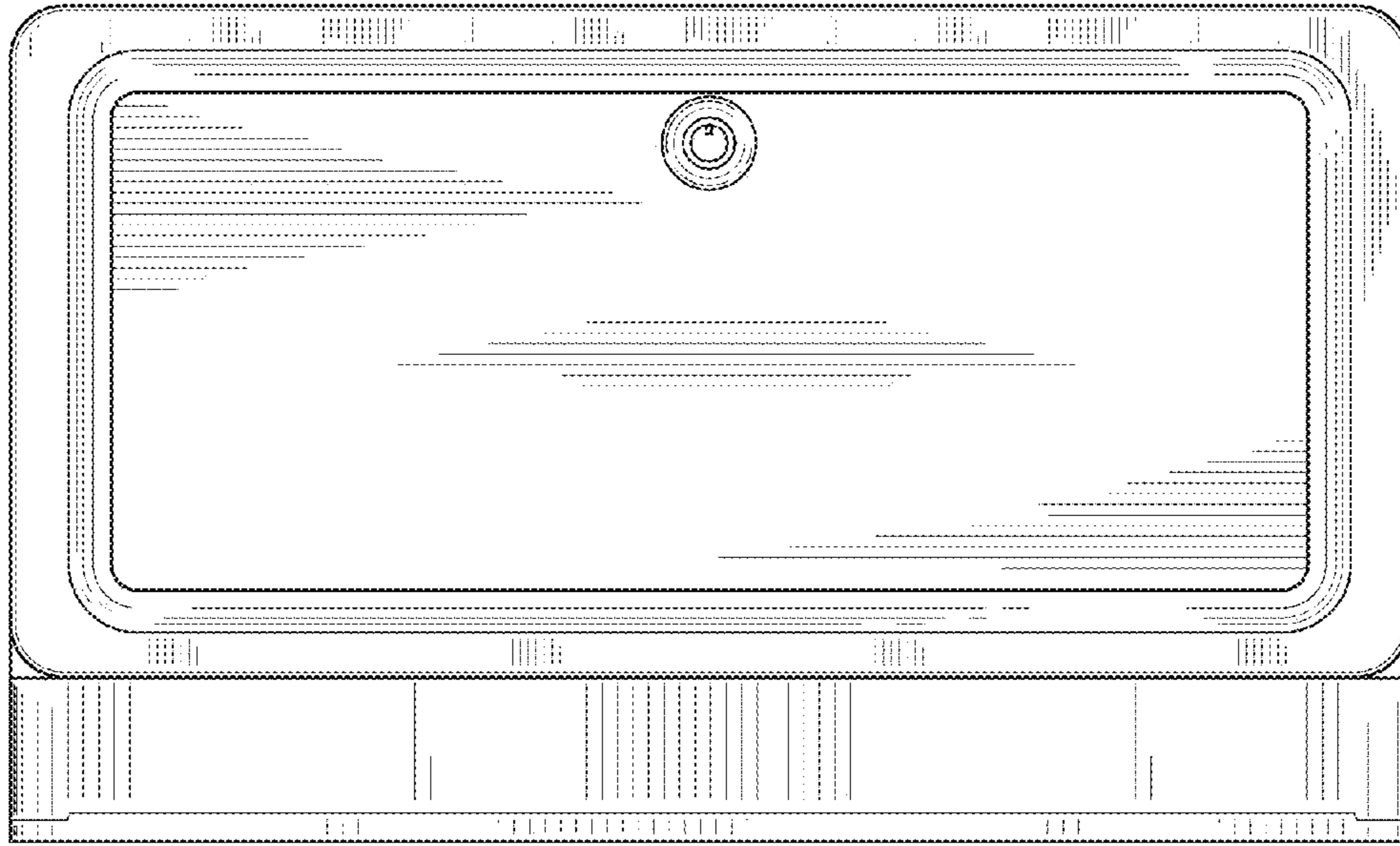


FIG. 10

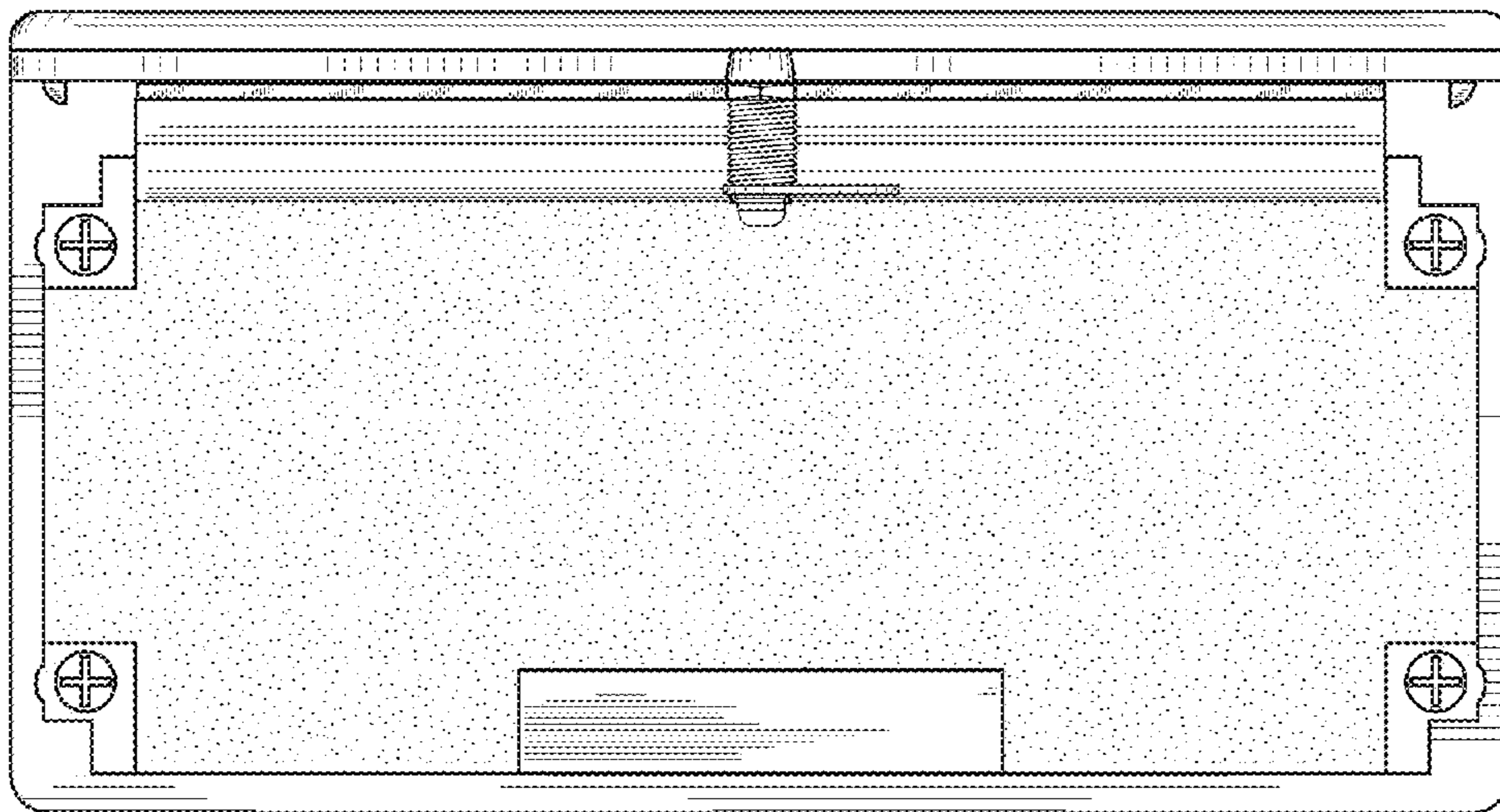


FIG. 11