

US00D734532S

(12) **United States Design Patent**
Gordin et al.

(10) **Patent No.:** **US D734,532 S**
(45) **Date of Patent:** **** Jul. 14, 2015**

(54) **ADJUSTABLE LIGHTING FIXTURE**

(71) Applicant: **Musco Corporation**, Oskaloosa, IA (US)

(72) Inventors: **Myron Gordin**, Oskaloosa, IA (US);
Timothy J. Boyle, Oskaloosa, IA (US);
Steven T. Heaton, Oskaloosa, IA (US);
Philip D. Hol, New Sharon, IA (US)

(73) Assignee: **MUSCO CORPORATION**, Oskaloosa, IA (US)

(**) Term: **14 Years**

(21) Appl. No.: **29/500,930**

(22) Filed: **Aug. 29, 2014**

(51) **LOC (10) Cl.** **26-99**

(52) **U.S. Cl.**
USPC **D26/118**

(58) **Field of Classification Search**
USPC D26/24, 26, 28, 29, 34, 37, 38, 43, 44,
D26/51, 59, 60, 61, 63, 66, 67, 68, 72, 74,
D26/76, 85, 86, 88, 89, 91, 113, 118, 119,
D26/120, 122-124, 138, 140-146;
362/145-148, 150, 153, 153.1, 218,
362/249.01-249.05, 294, 296.01, 296.07,
362/296.08, 311.07, 311.09, 311.1, 345,
362/362, 364, 365, 366, 368, 370, 371, 373,
362/397, 418, 427, 428, 460, 473-476,
362/546-548
CPC F21V 29/02; F21V 29/2212; F21V 21/04;
F21V 21/14
See application file for complete search history.

(56) **References Cited**

U.S. PATENT DOCUMENTS

D158,803 S * 5/1950 Russell D26/76
D195,876 S * 8/1963 Atkin et al. D26/63
D246,131 S * 10/1977 Schifrin D26/28

D300,570 S * 4/1989 DeCandia D26/63
D332,318 S * 1/1993 Reding D26/24
D475,154 S * 5/2003 Binsukor D26/72
D636,525 S * 4/2011 Chan D26/118
D641,908 S * 7/2011 McKee D26/71
D644,370 S * 8/2011 Lickiss D26/85
8,007,131 B2 * 8/2011 Liu et al. 362/267
D646,826 S * 10/2011 Smith D26/74
D659,280 S * 5/2012 Guercio et al. D26/118
D672,908 S * 12/2012 Wilcox et al. D26/118

(Continued)

OTHER PUBLICATIONS

Gordin, Myron, et al., "Array Including Adjustable Armature, Knuckles, and Lighting Fixtures", U.S. Appl. No. 29/455,396, filed May 20, 2013.

Primary Examiner — Cynthia Ramirez

Assistant Examiner — Llorellys Martinez-Rivera

(74) *Attorney, Agent, or Firm* — McKee, Voorhees & Sease, PLC

(57) **CLAIM**

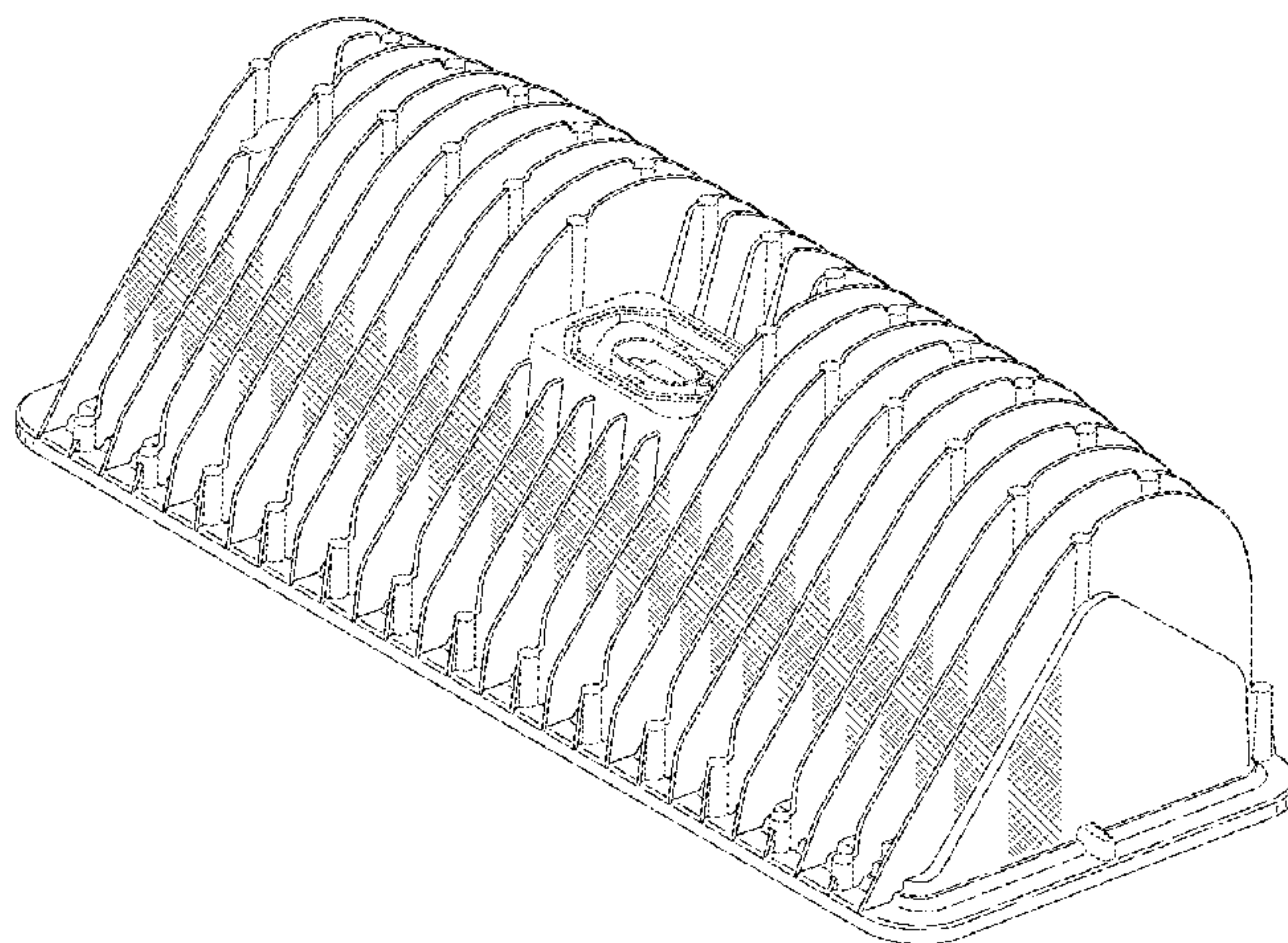
The ornamental design for an adjustable lighting fixture, as shown and described.

DESCRIPTION

FIG. 1 is a perspective view of an adjustable lighting fixture showing our new design;
FIG. 2 is a front elevation of FIG. 1;
FIG. 3 is a back elevation of FIG. 1;
FIG. 4 is a right side elevation of FIG. 1;
FIG. 5 is a left side elevation of FIG. 1;
FIG. 6 is a top plan view of FIG. 1;
FIG. 7 is a bottom plan view of FIG. 1; and,
FIG. 8 is an alternative perspective view of the claimed design.

The broken lines in the drawings illustrate portions of the adjustable lighting fixture that form no part of the claimed design.

1 Claim, 8 Drawing Sheets



(56)

References Cited

U.S. PATENT DOCUMENTS

D695,949 S * 12/2013 Gordin et al. D26/118
D695,950 S * 12/2013 Gordin et al. D26/118

D695,952 S 12/2013 Gordin et al.
D716,990 S * 11/2014 Yu D26/72
2013/0250556 A1* 9/2013 Gordin et al. 362/147
2015/0029721 A1* 1/2015 Kim 362/249.02

* cited by examiner

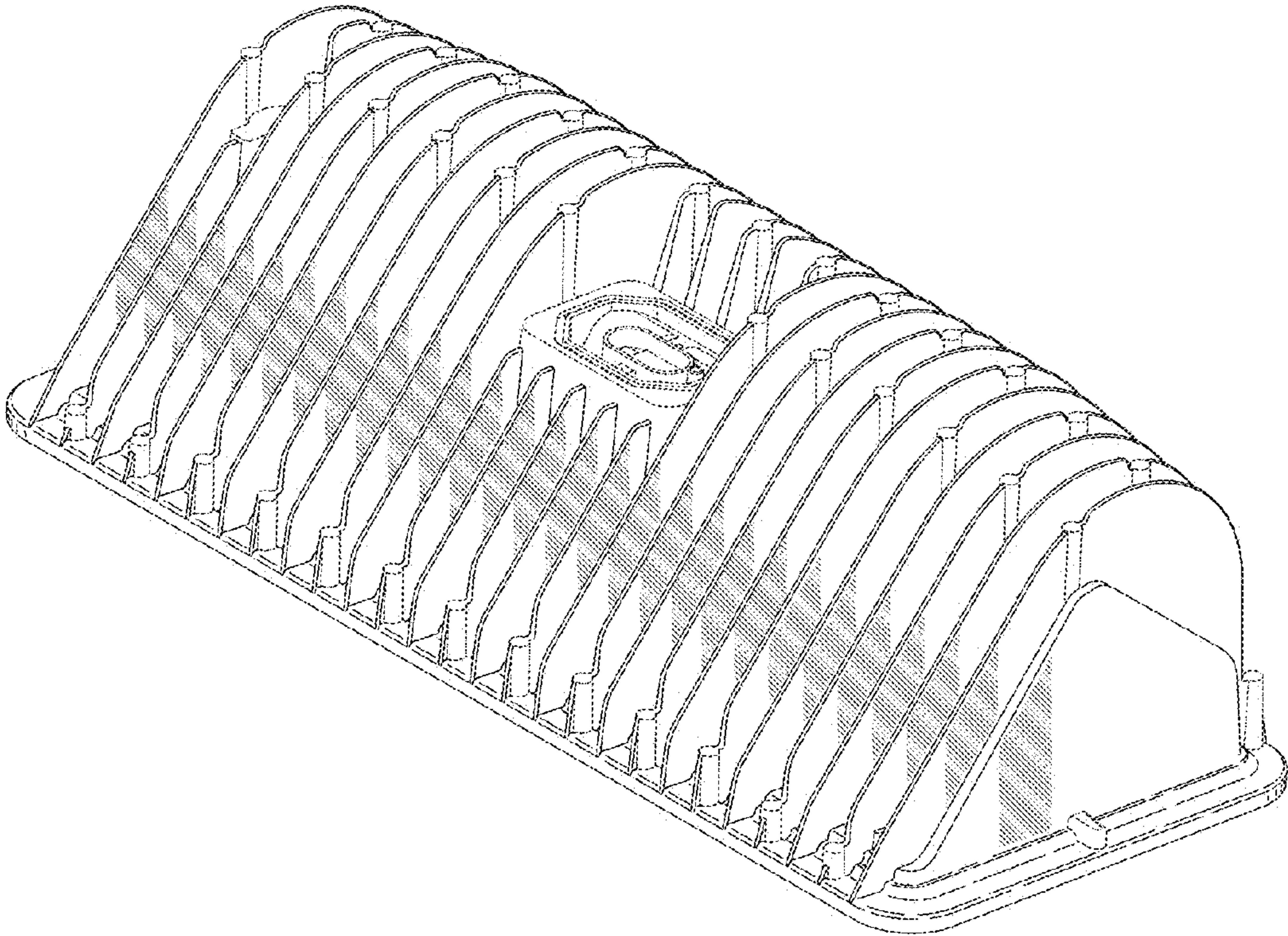


Fig 1

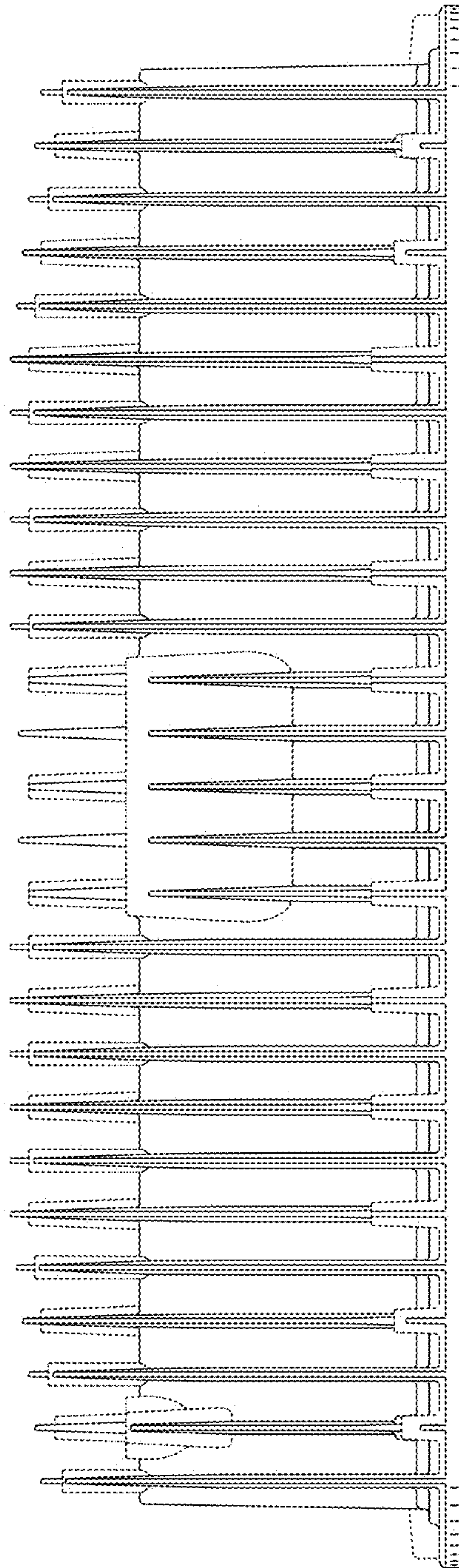


FIG 2

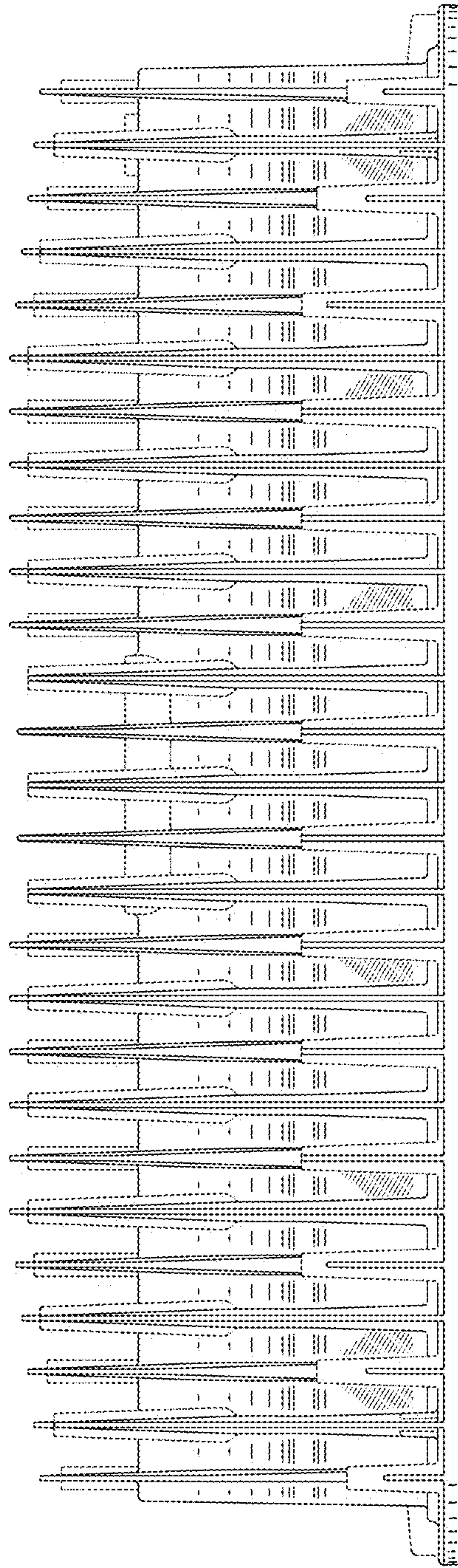


Fig 3

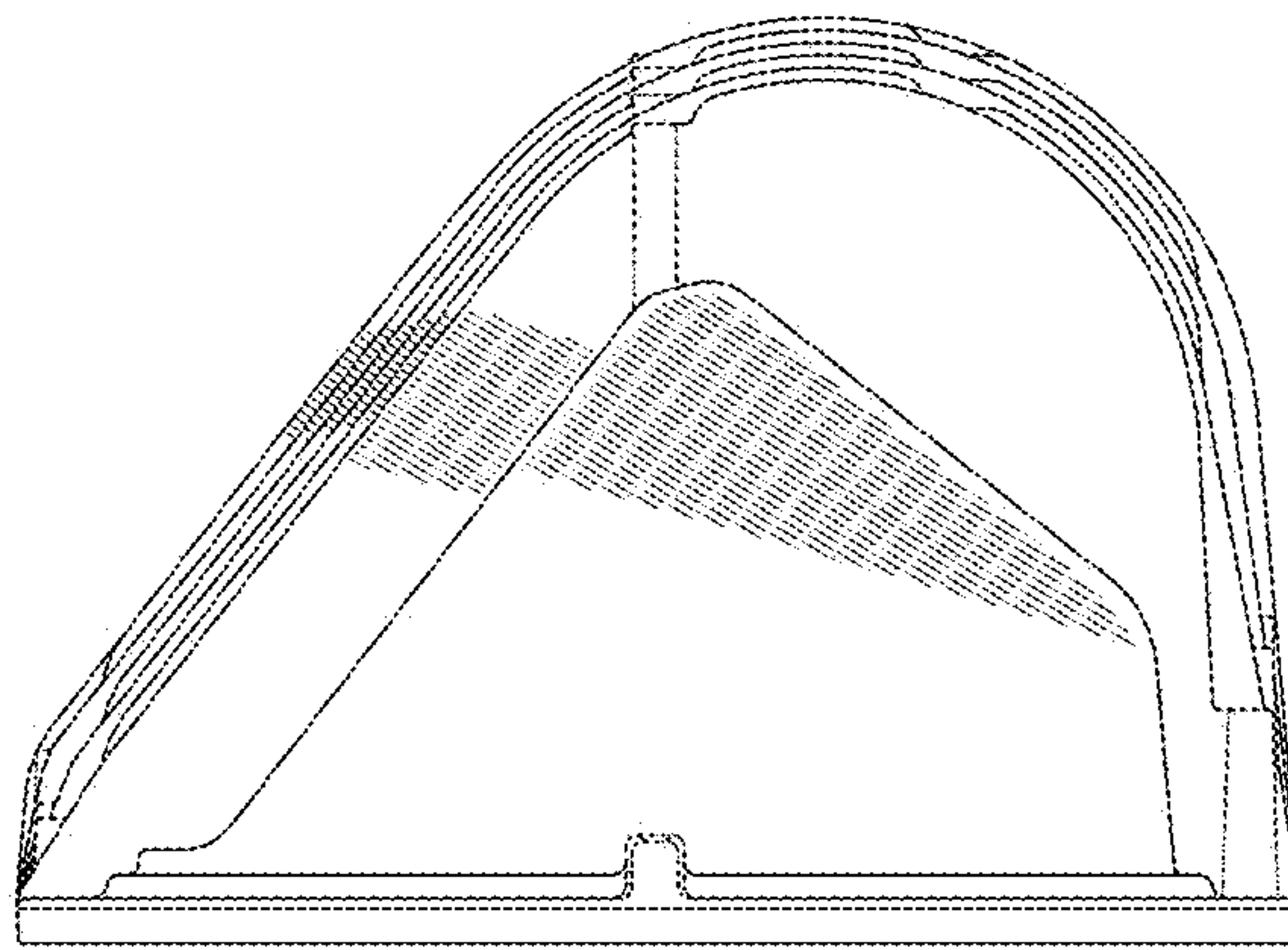


Fig 4

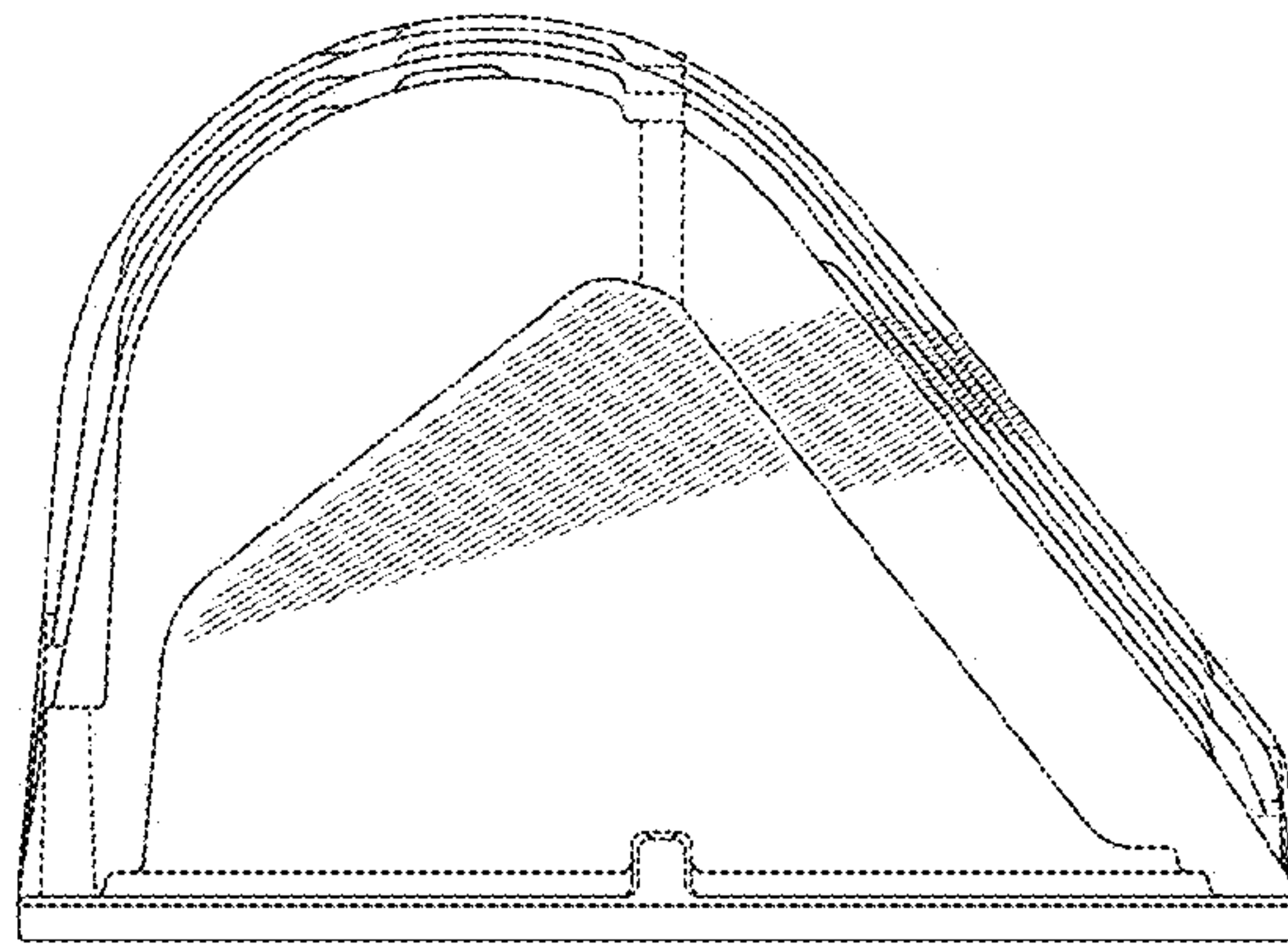


Fig 5

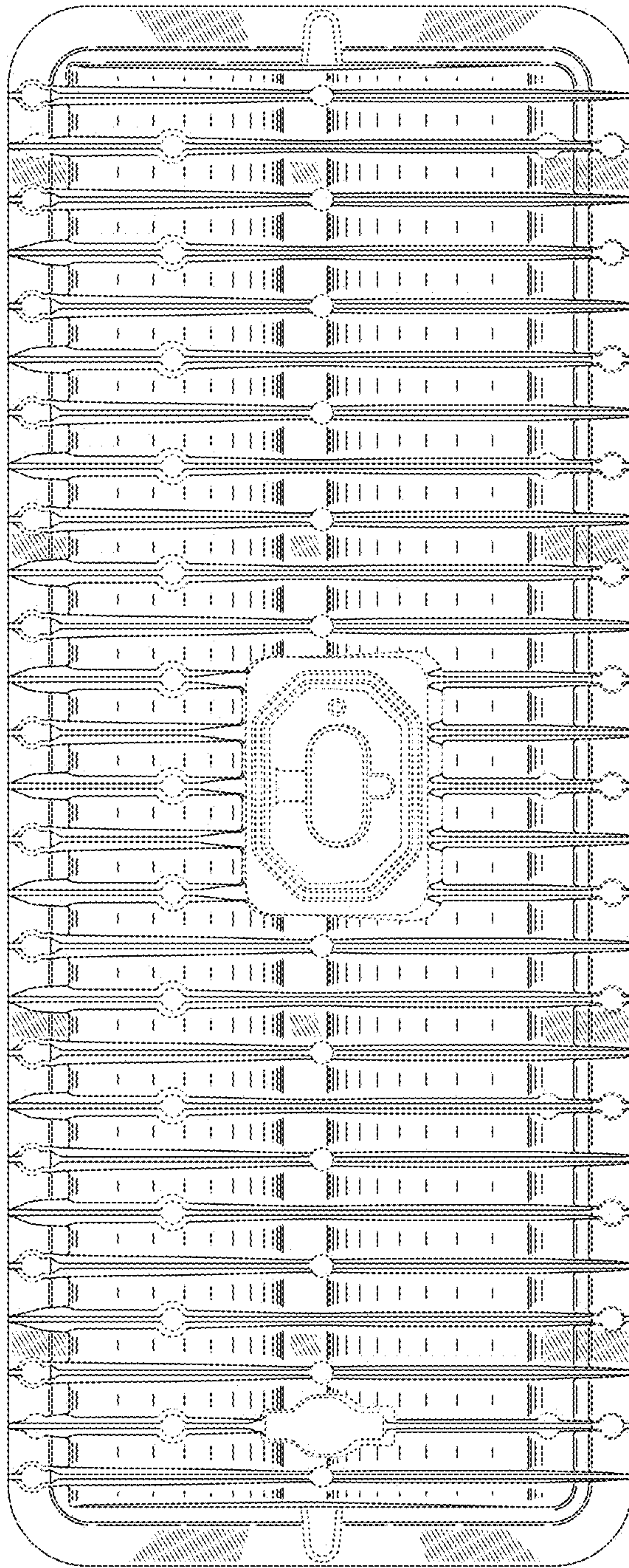


Fig 6

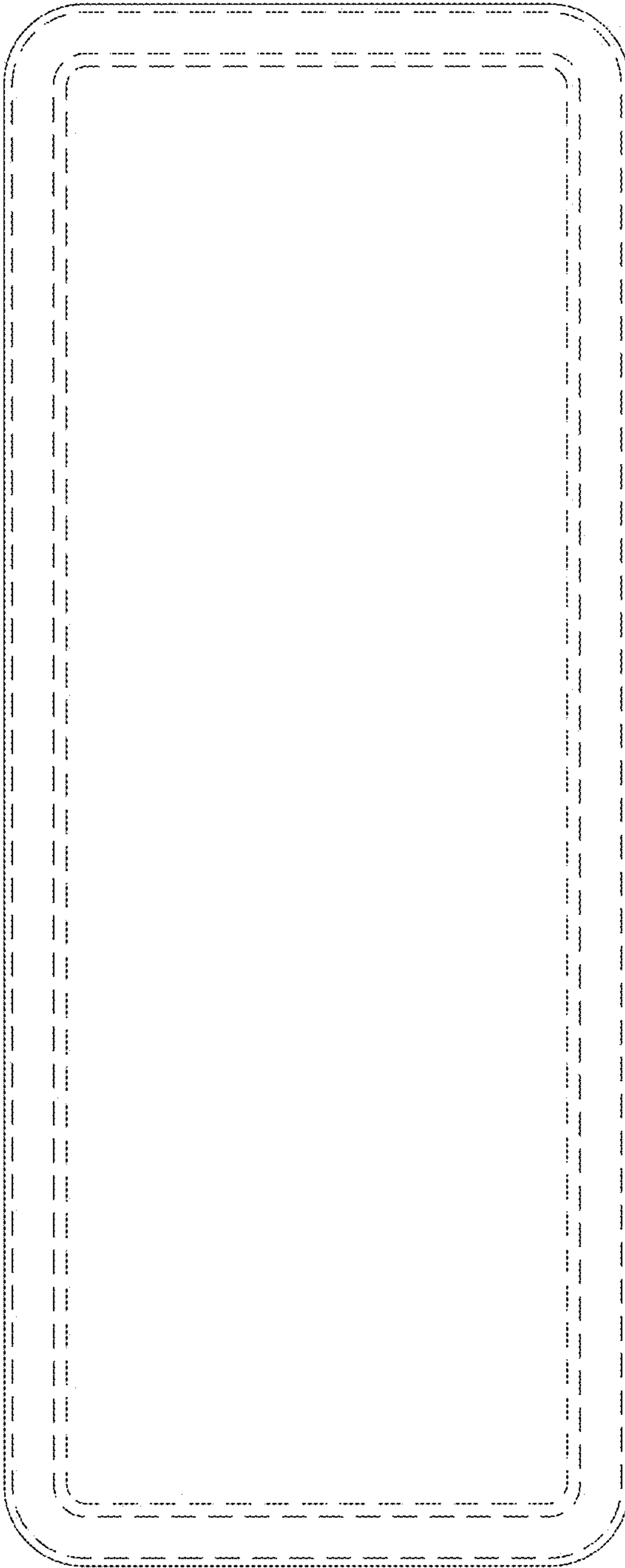


Fig 7

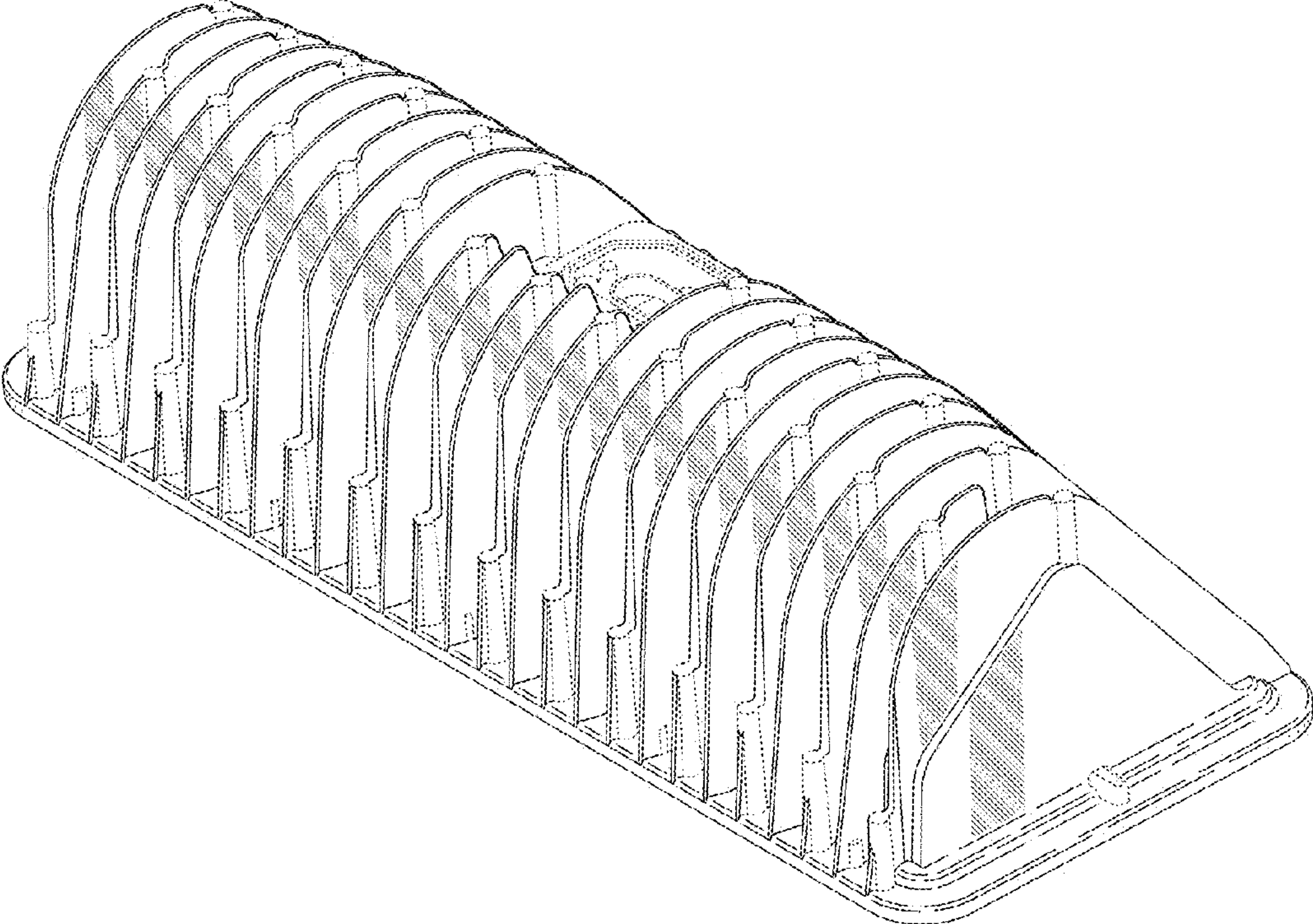


Fig 8