



US00D734529S

(12) **United States Design Patent**  
**Krenkler**

(10) **Patent No.:** **US D734,529 S**  
(45) **Date of Patent:** **\*\* Jul. 14, 2015**

(54) **TABLE LAMP**

(71) Applicant: **Kikkerland Design, Inc.**, New York, NY  
(US)

(72) Inventor: **Elisabeth Krenkler**, New York, NY  
(US)

(73) Assignee: **Kikkerland Design, Inc.**, New York, NY  
(US)

(\*\*) Term: **14 Years**

(21) Appl. No.: **29/467,676**

(22) Filed: **Sep. 20, 2013**

(51) **LOC (10) Cl.** ..... **26-03**

(52) **U.S. Cl.**  
USPC ..... **D26/107**

(58) **Field of Classification Search**  
USPC ..... D26/24, 93, 102, 104, 106, 107  
CPC ..... F21S 6/00; F21S 6/002; F21S 8/036;  
F21S 8/08; F21V 21/00; F21V 21/02; F21V  
21/06; F21V 21/116; F21W 2131/30  
See application file for complete search history.

(56) **References Cited**

U.S. PATENT DOCUMENTS

D250,854 S \* 1/1979 Heinrich ..... D26/65

\* cited by examiner

*Primary Examiner* — Brian N Vinson

(74) *Attorney, Agent, or Firm* — Cascio & Zervas

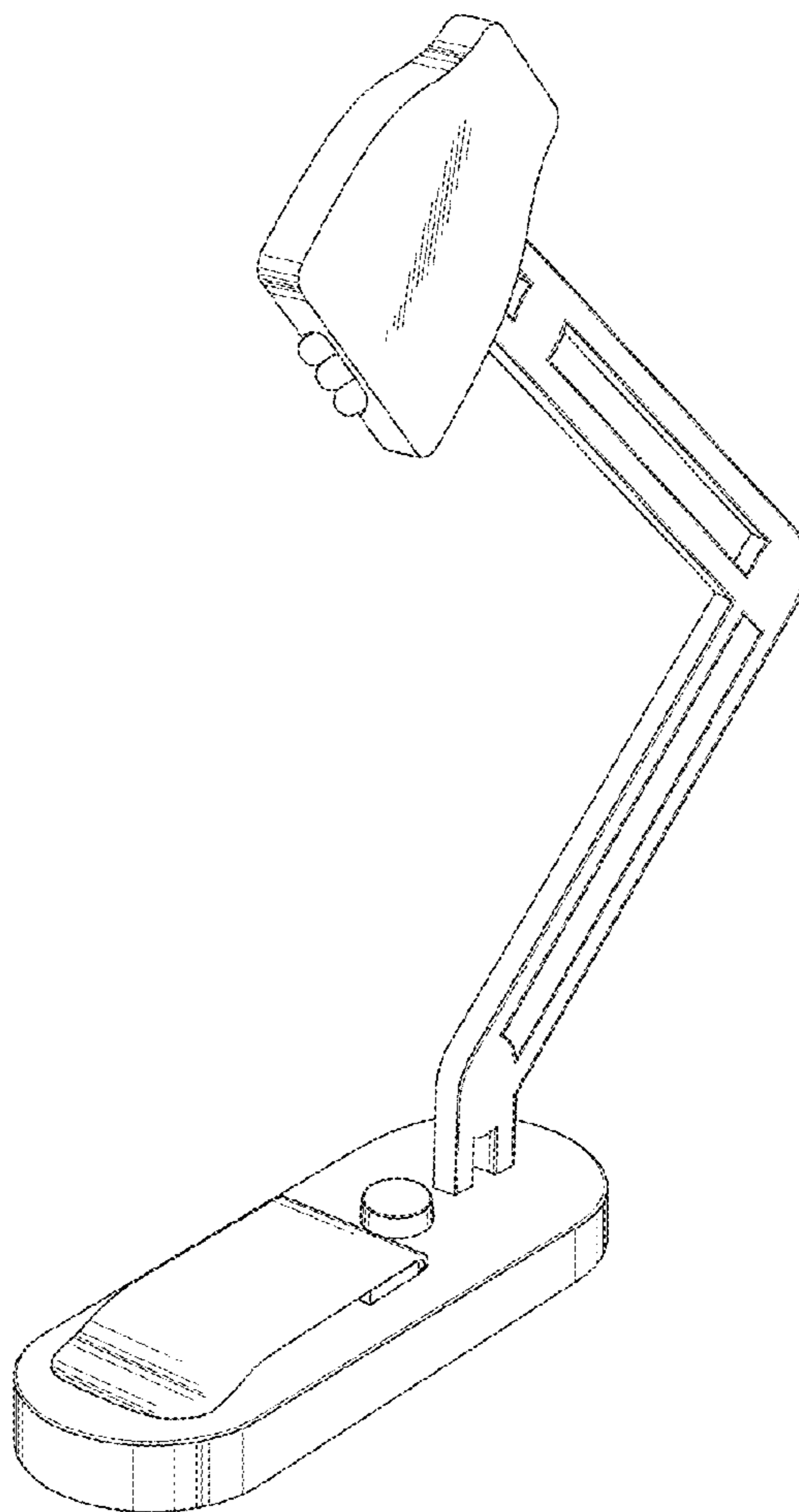
(57) **CLAIM**

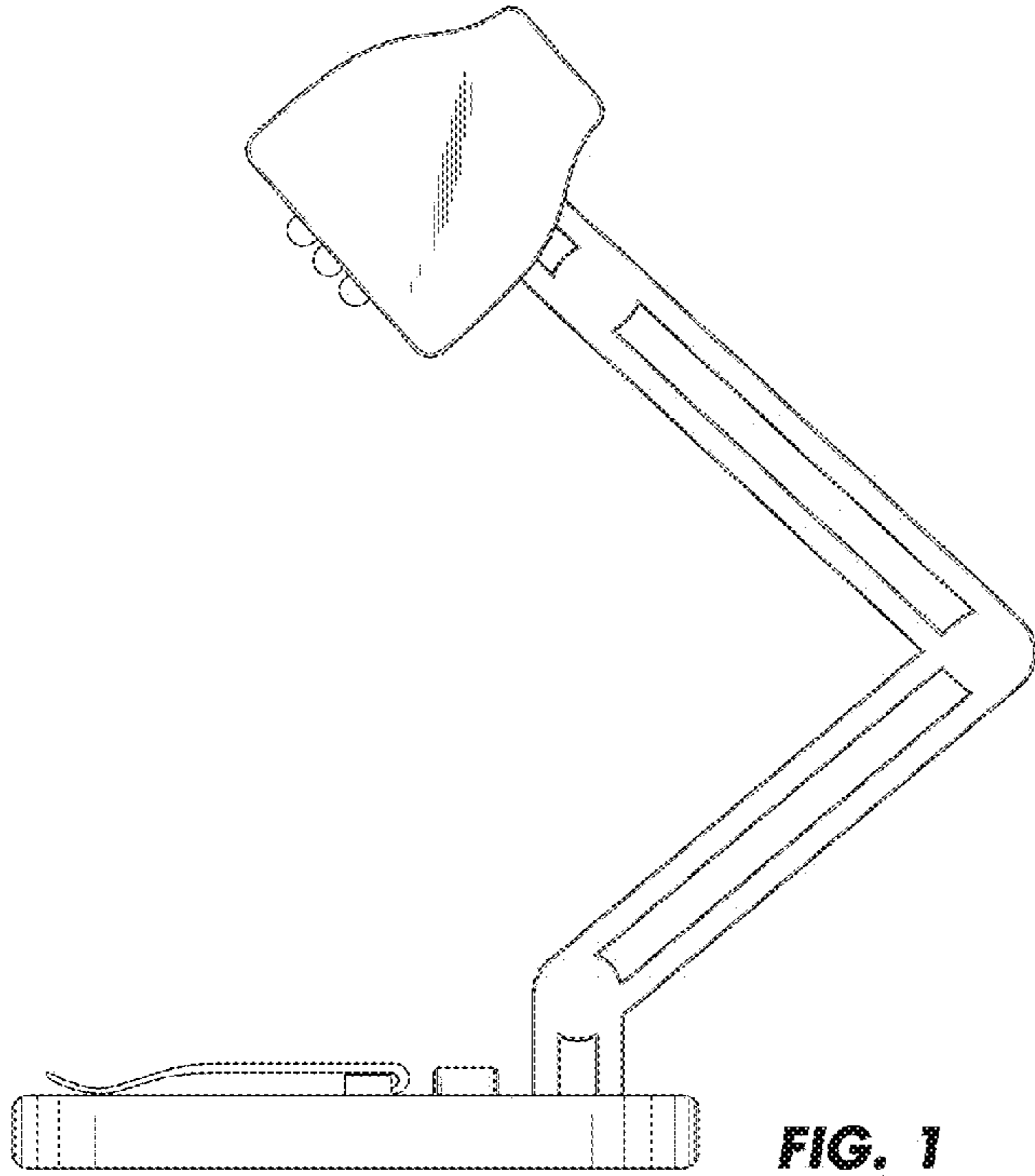
The ornamental design for a table lamp, as shown and described.

**DESCRIPTION**

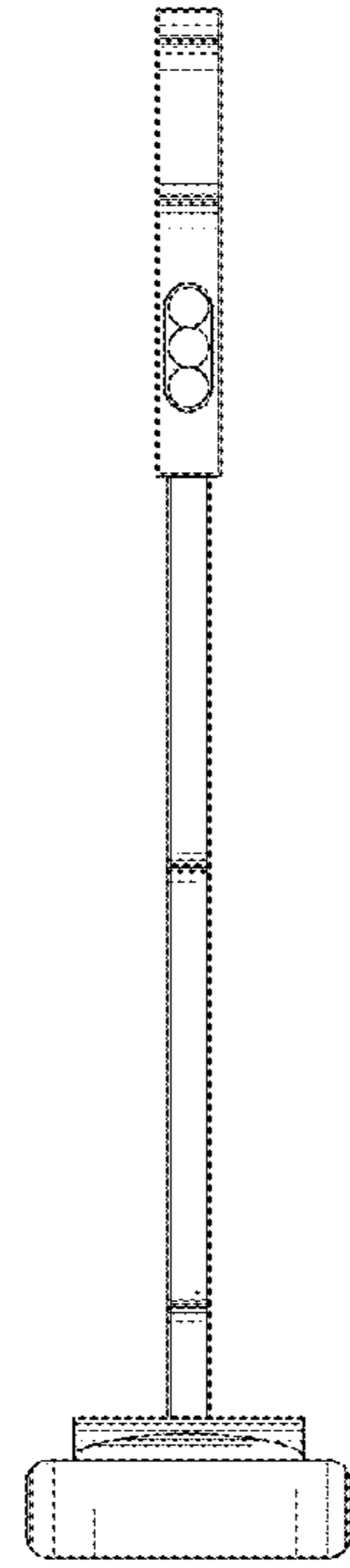
FIG. 1 is a left side elevational view of a table lamp showing my design;  
FIG. 2 is a right side elevational view thereof;  
FIG. 3 is a front elevational view thereof;  
FIG. 4 is a rear elevational view thereof;  
FIG. 5 is a top plan view thereof;  
FIG. 6 is a bottom plan view thereof; and,  
FIG. 7 is a perspective view thereof.

**1 Claim, 2 Drawing Sheets**

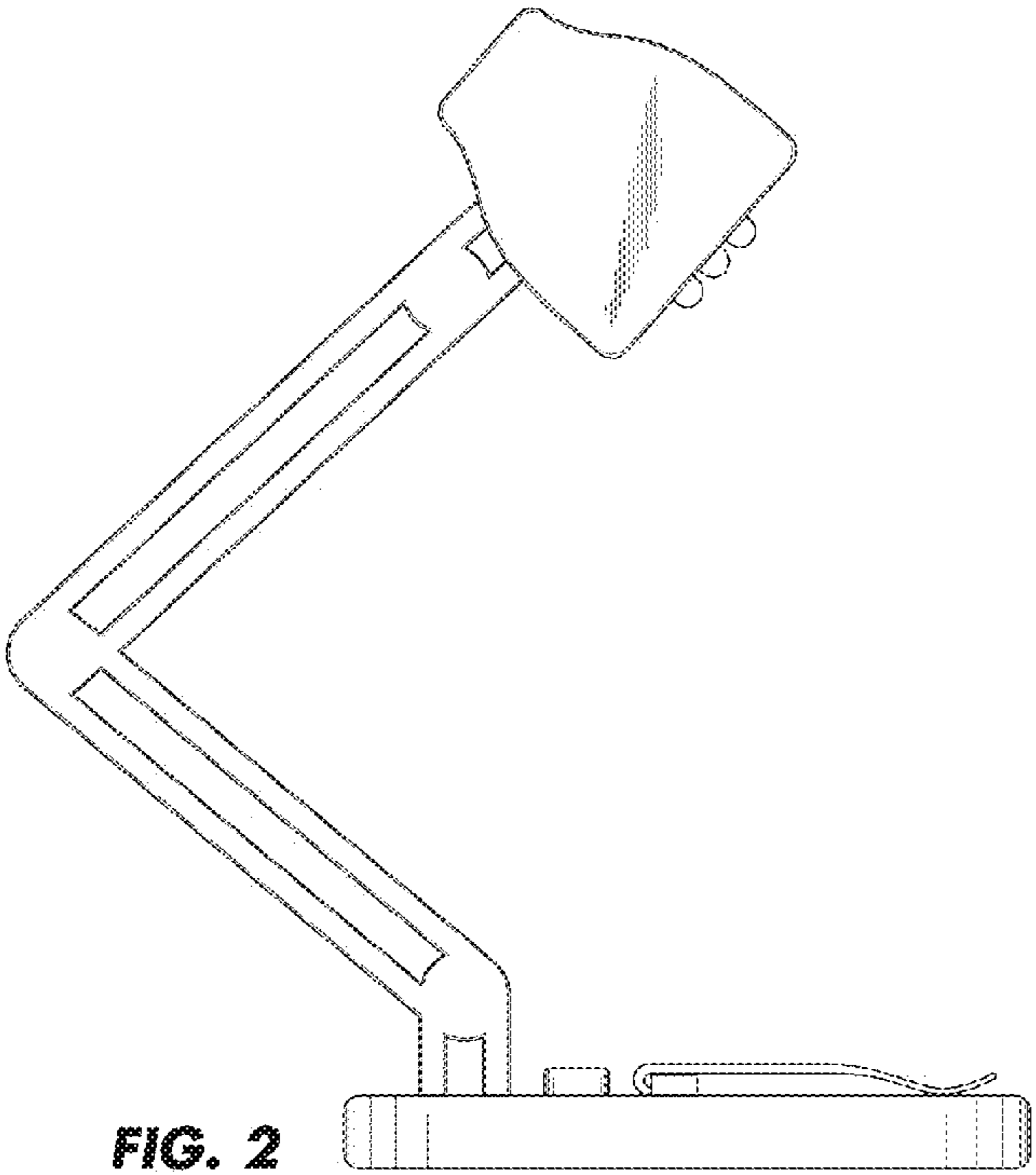




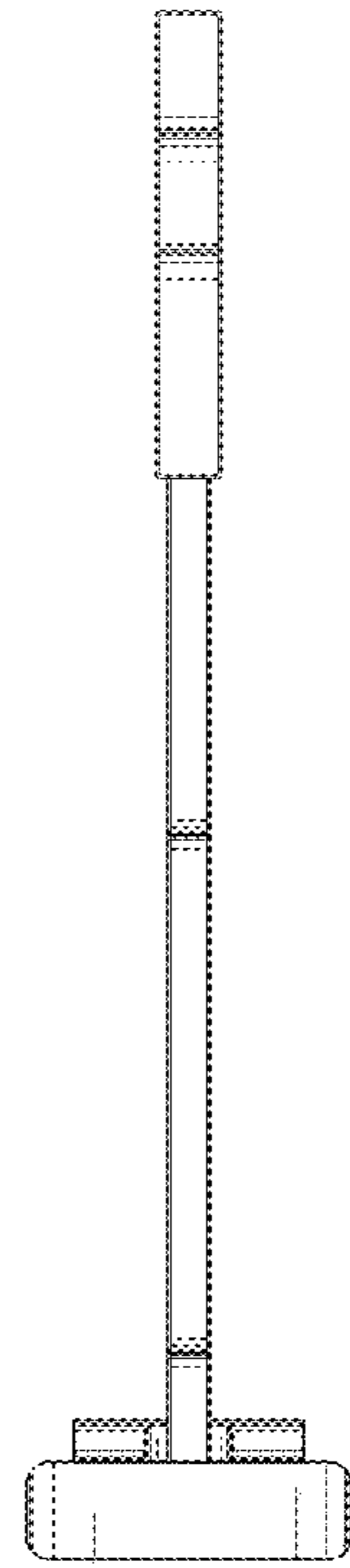
**FIG. 1**



**FIG. 3**



**FIG. 2**



**FIG. 4**

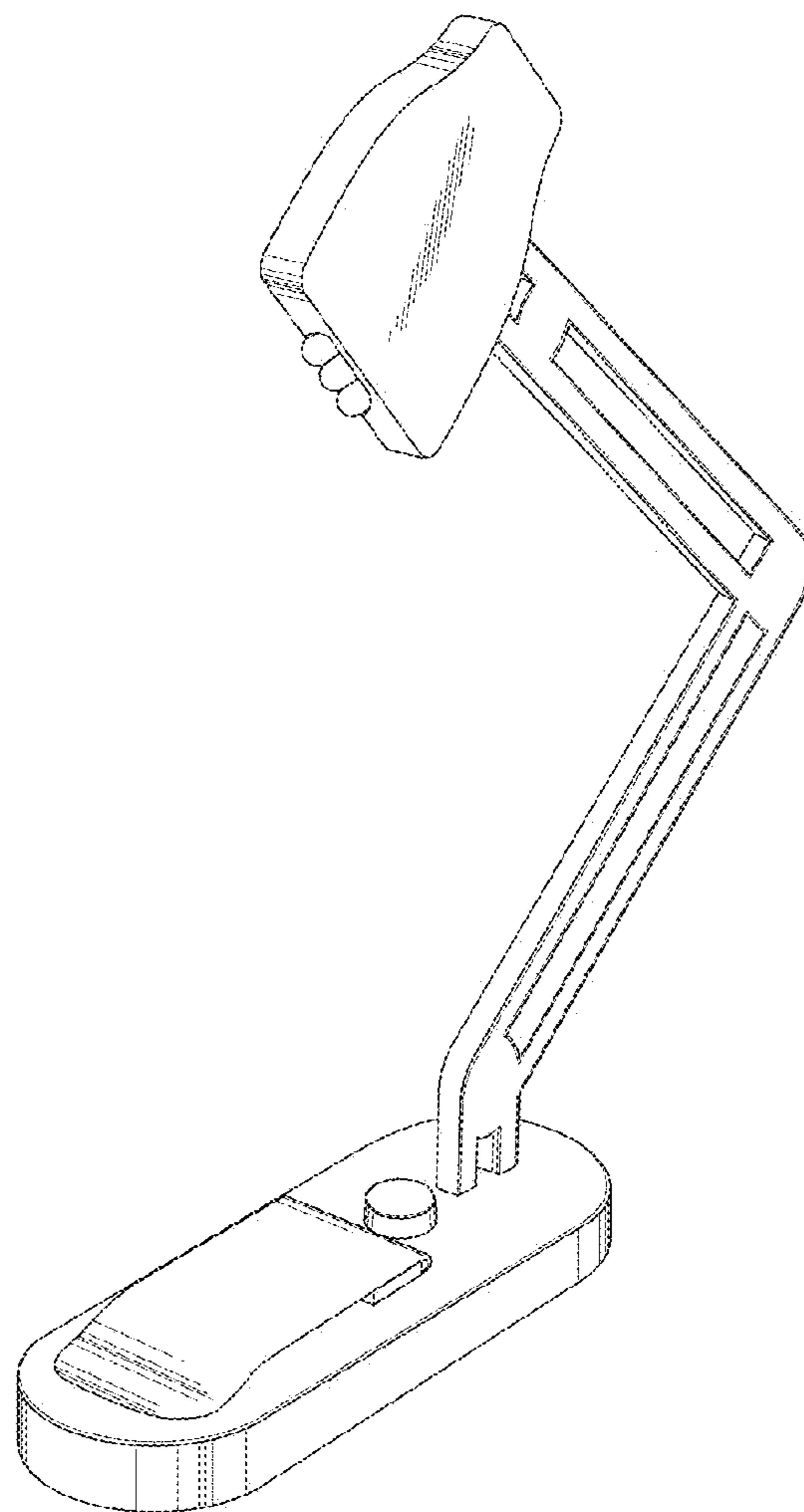
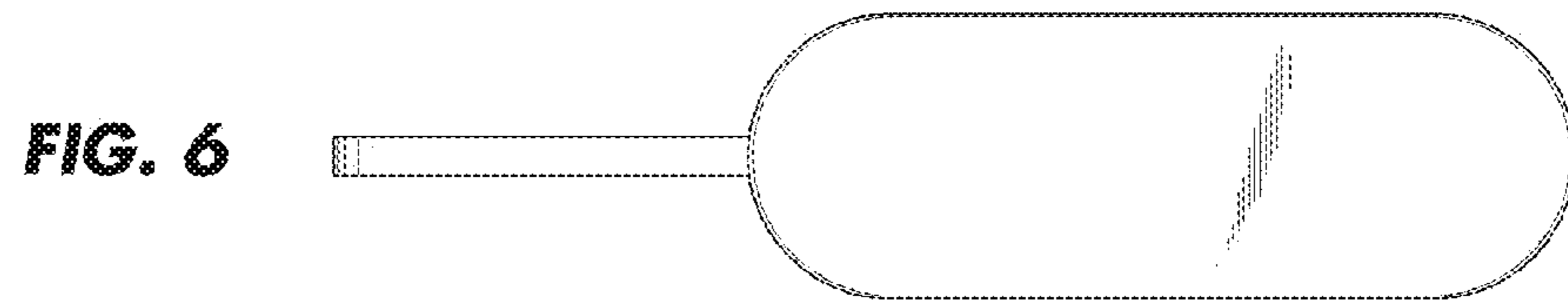
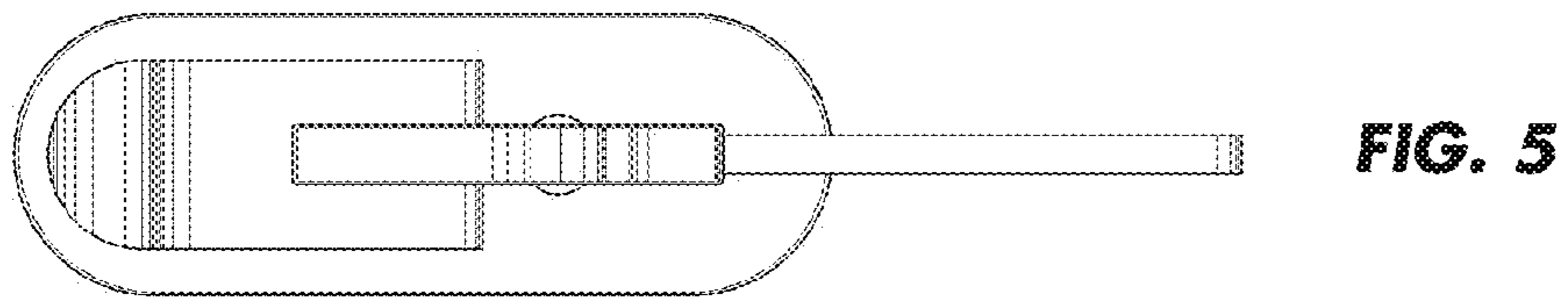


FIG. 7