



US00D734528S

(12) **United States Design Patent**
Douglas

(10) **Patent No.:** **US D734,528 S**
(45) **Date of Patent:** **** Jul. 14, 2015**

- (54) **TABLE LAMP**
- (71) Applicant: **Verilux, Inc.**, Waitsfield, VT (US)
- (72) Inventor: **Ryan J. Douglas**, Stillwater, MN (US)
- (73) Assignee: **Verilux, Inc.**, Waitsfeld, VT (US)
- (**) Term: **14 Years**
- (21) Appl. No.: **29/453,659**
- (22) Filed: **May 1, 2013**
- (51) **LOC (10) Cl.** **26-03**
- (52) **U.S. Cl.**
USPC **D26/107**
- (58) **Field of Classification Search**
USPC D26/24, 93, 102, 104, 106, 107
CPC F21S 6/00; F21S 6/002; F21S 8/036;
F21S 8/08; F21V 21/00; F21V 21/02; F21V
21/06; F21V 21/116; F21W 2131/30
See application file for complete search history.

D629,956 S	12/2010	Newhouse	
D639,491 S *	6/2011	Chen	D26/93
D650,512 S	12/2011	Hine et al.	
D652,981 S *	1/2012	Kristiansen et al.	D26/93
D673,715 S *	1/2013	Huang	D26/93
D676,998 S *	2/2013	Stephanchick et al.	D26/93
D678,593 S	3/2013	Huang	

* cited by examiner

Primary Examiner — Brian N Vinson
(74) *Attorney, Agent, or Firm* — Dardi & Herbert, PLLC;
Curtis B. Herbert

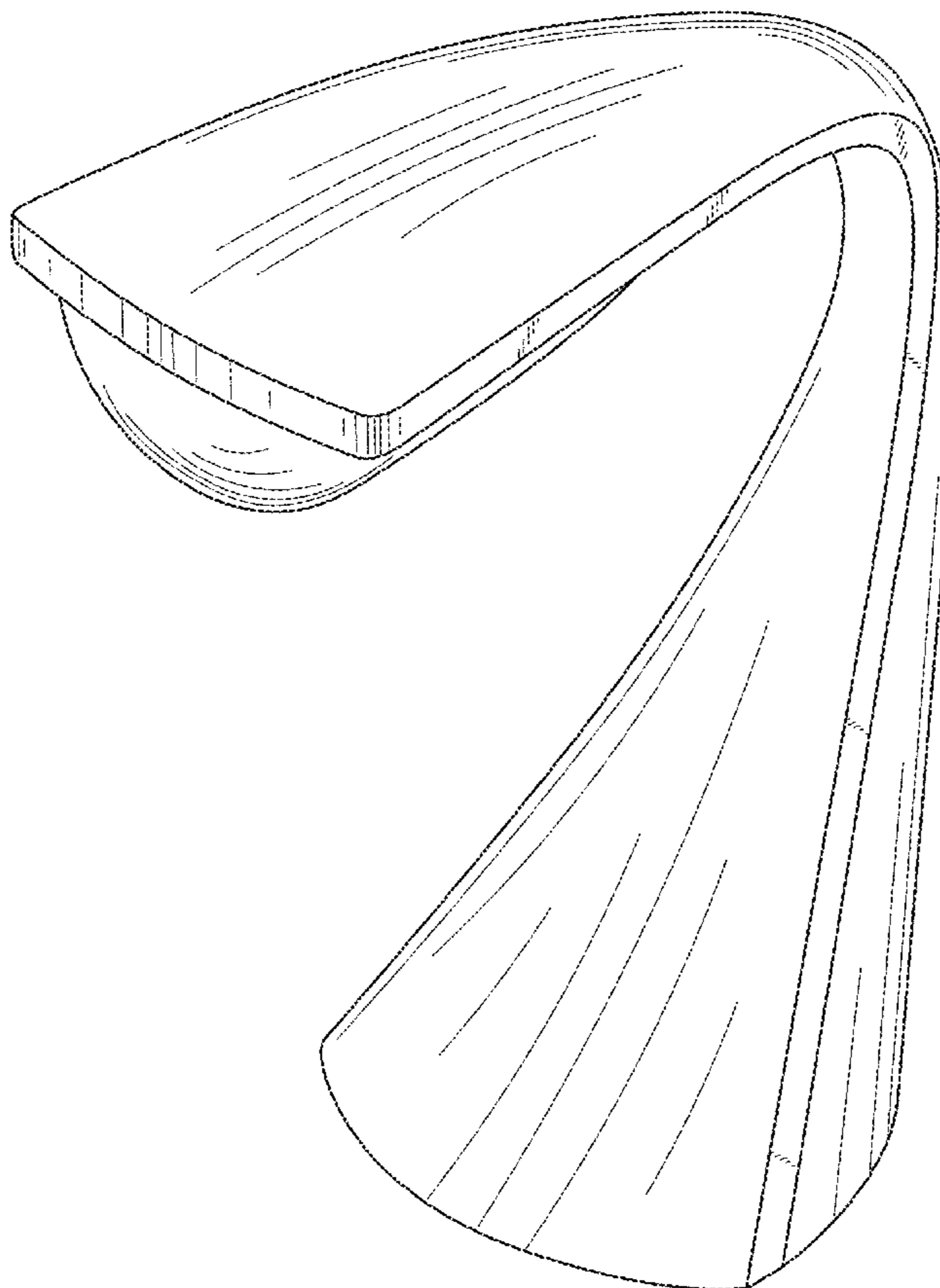
(57) **CLAIM**
I claim the ornamental design for a table lamp, as shown.

DESCRIPTION

FIG. 1 is a perspective view of a lamp showing applicant's new design;
FIG. 2 is a left-side elevational view thereof;
FIG. 3 is a right-side elevational view thereof;
FIG. 4 is a front elevational view thereof;
FIG. 5 is a back elevational view thereof;
FIG. 6 is a top plan view thereof; and,
FIG. 7 is a bottom plan view thereof.
The broken lines shown on the drawings depict portions of the light fixture that form no part of the claimed design.

1 Claim, 7 Drawing Sheets

- (56) **References Cited**
U.S. PATENT DOCUMENTS
D385,645 S * 10/1997 Chan D26/107
D391,665 S 3/1998 Yang



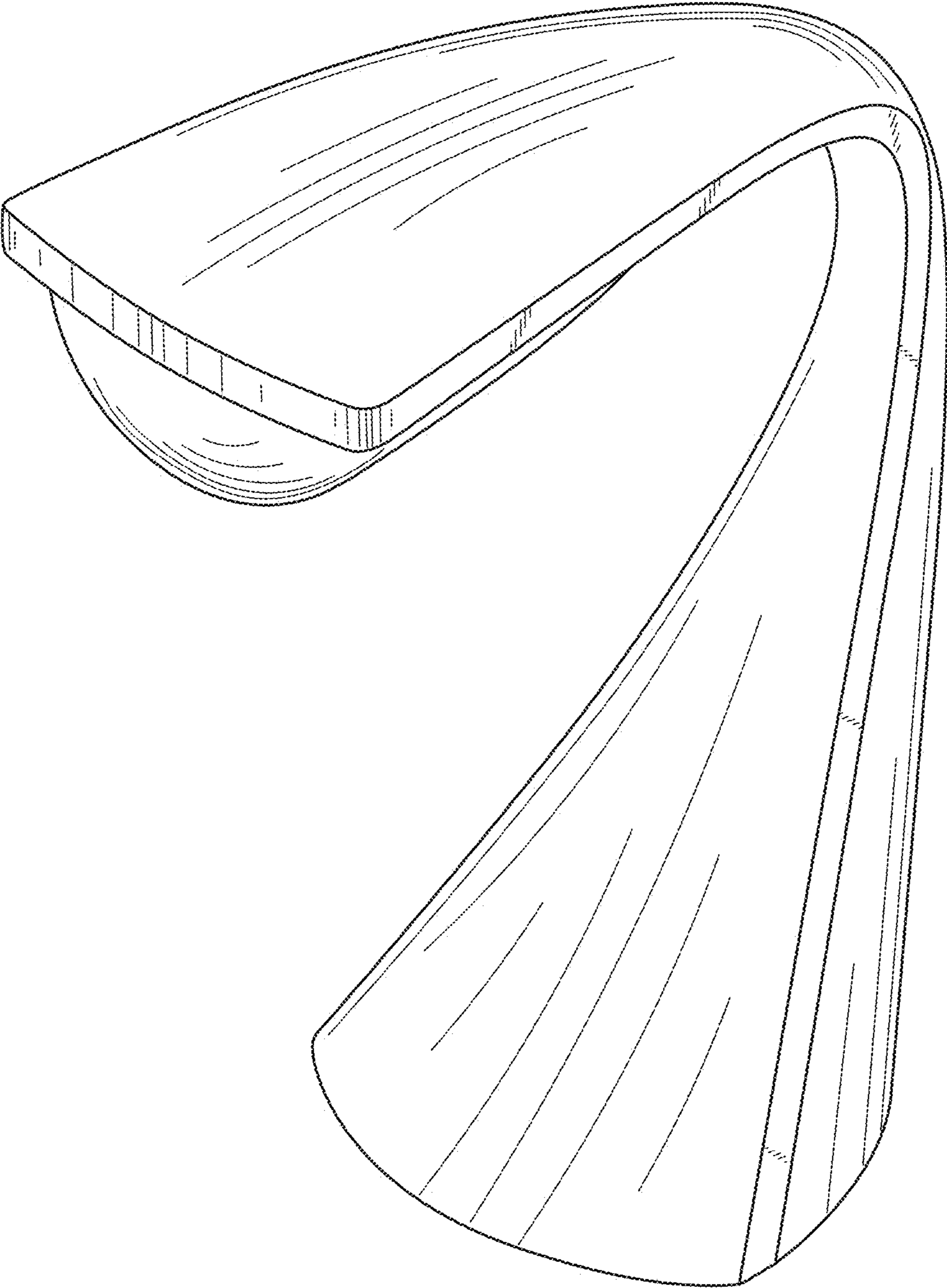


FIG. 1

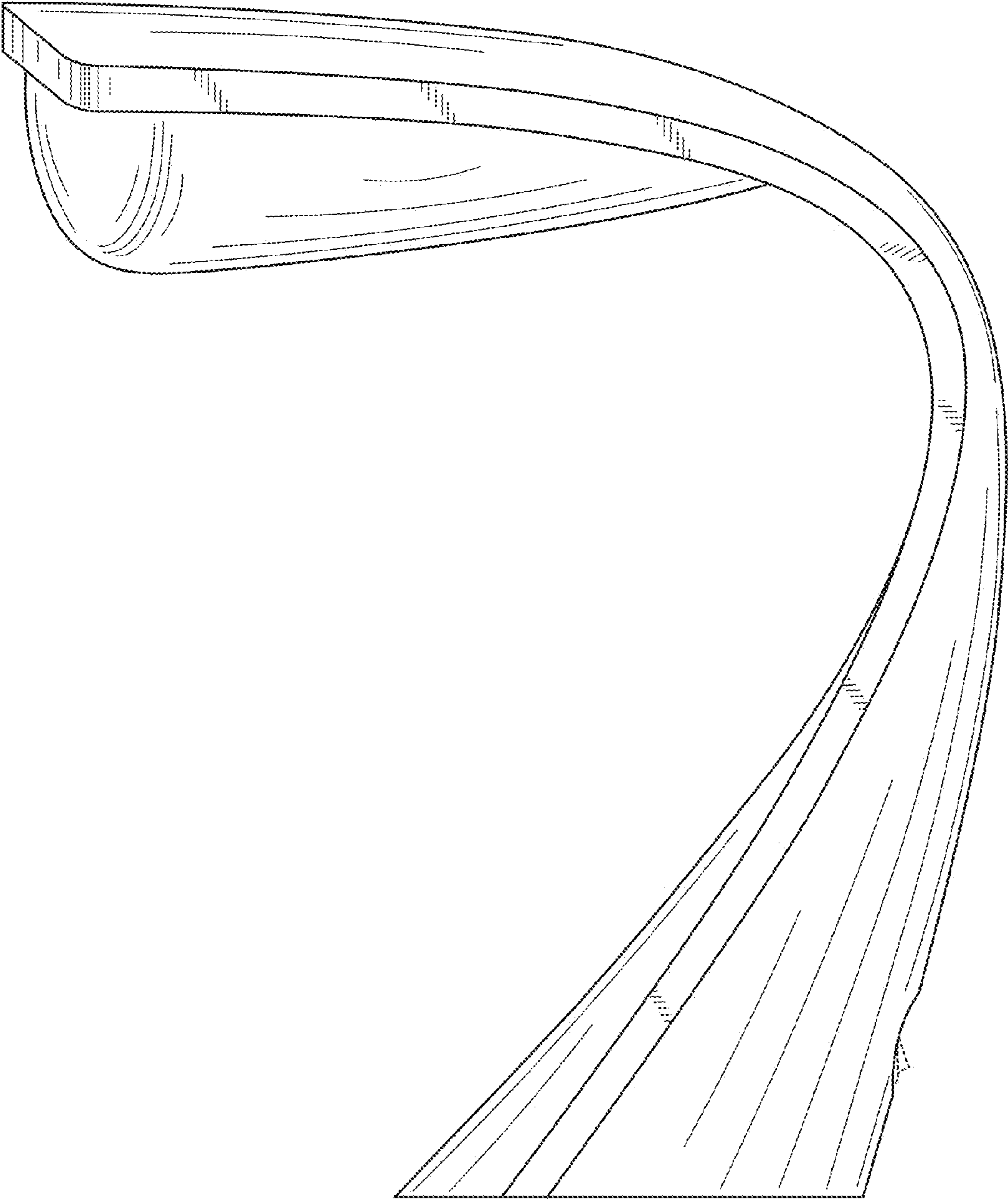


FIG. 2

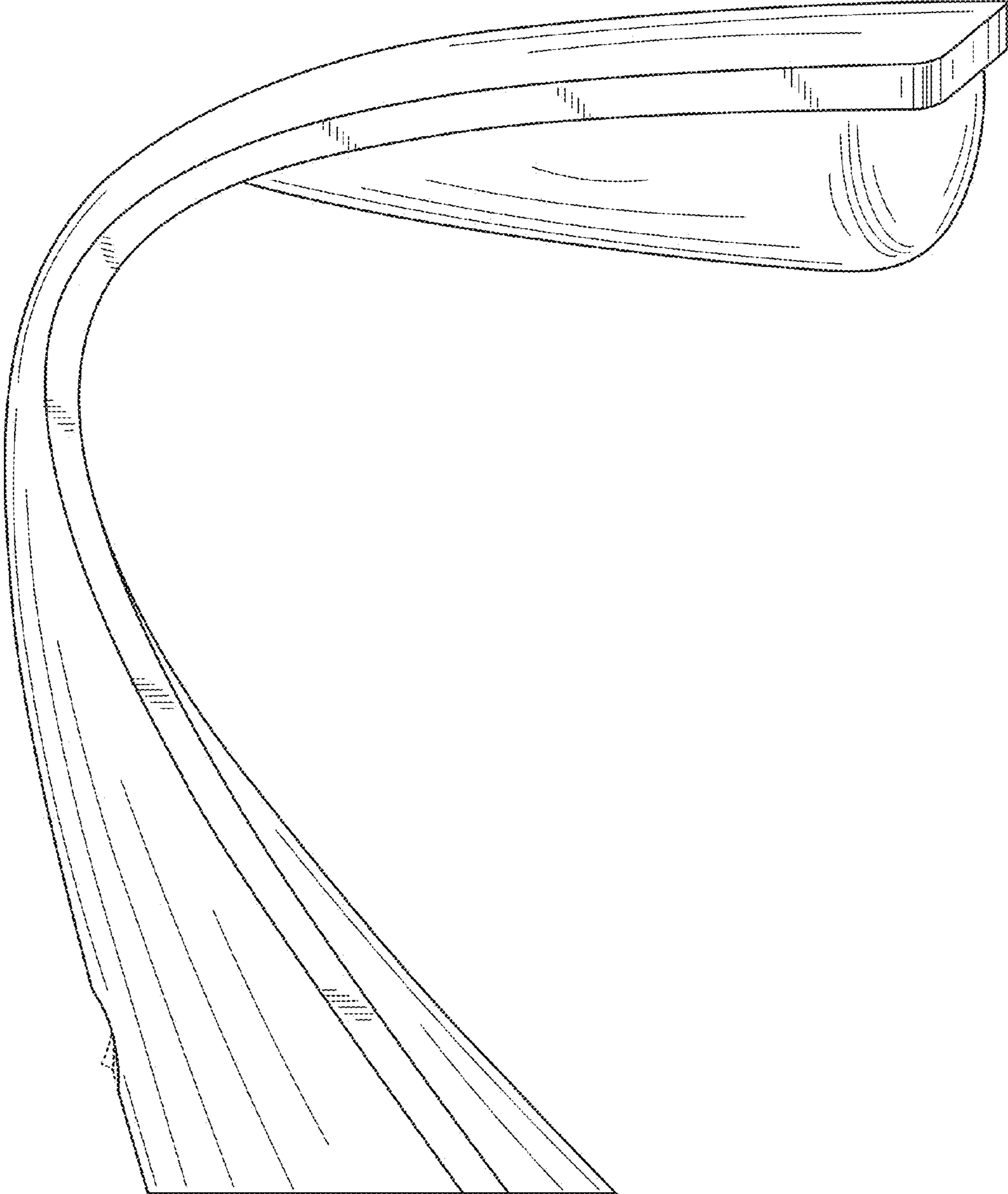


FIG. 3

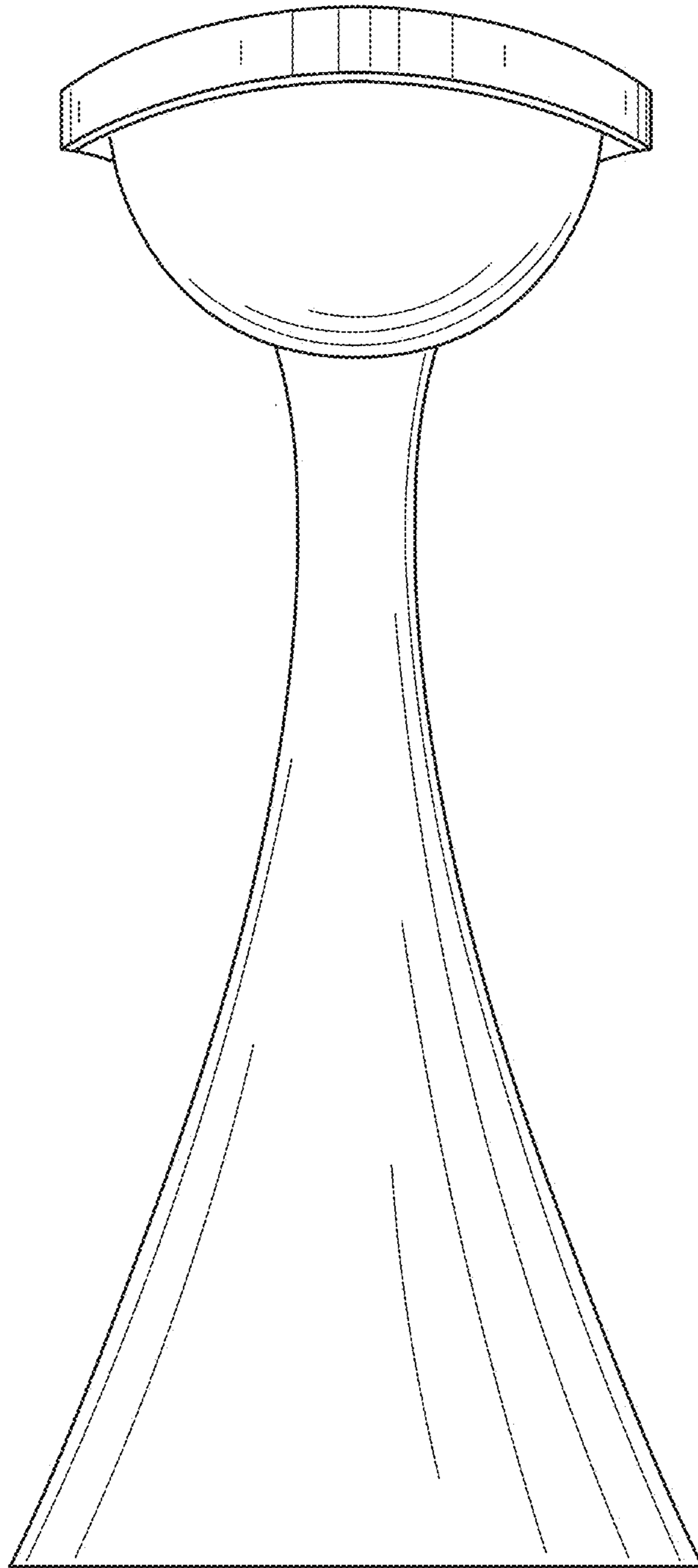


FIG. 4

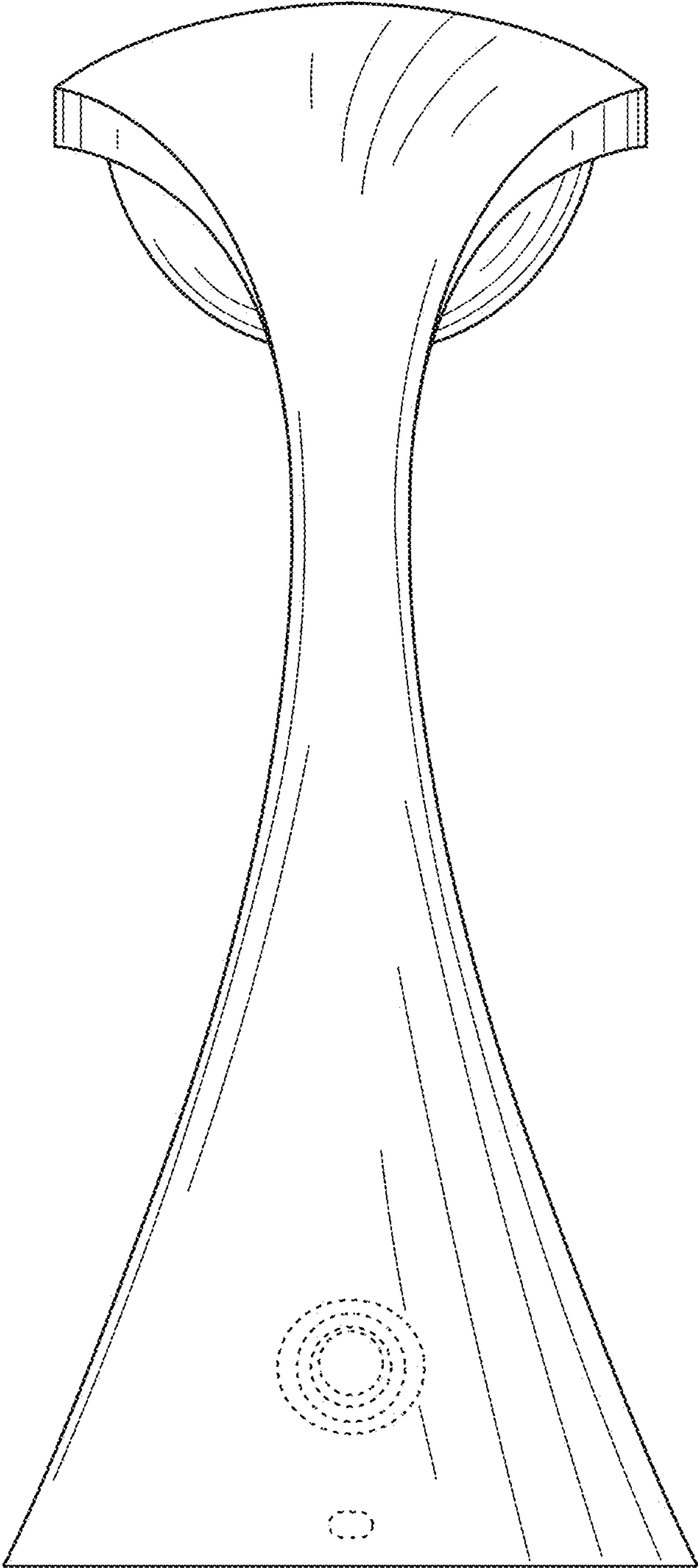


FIG. 5

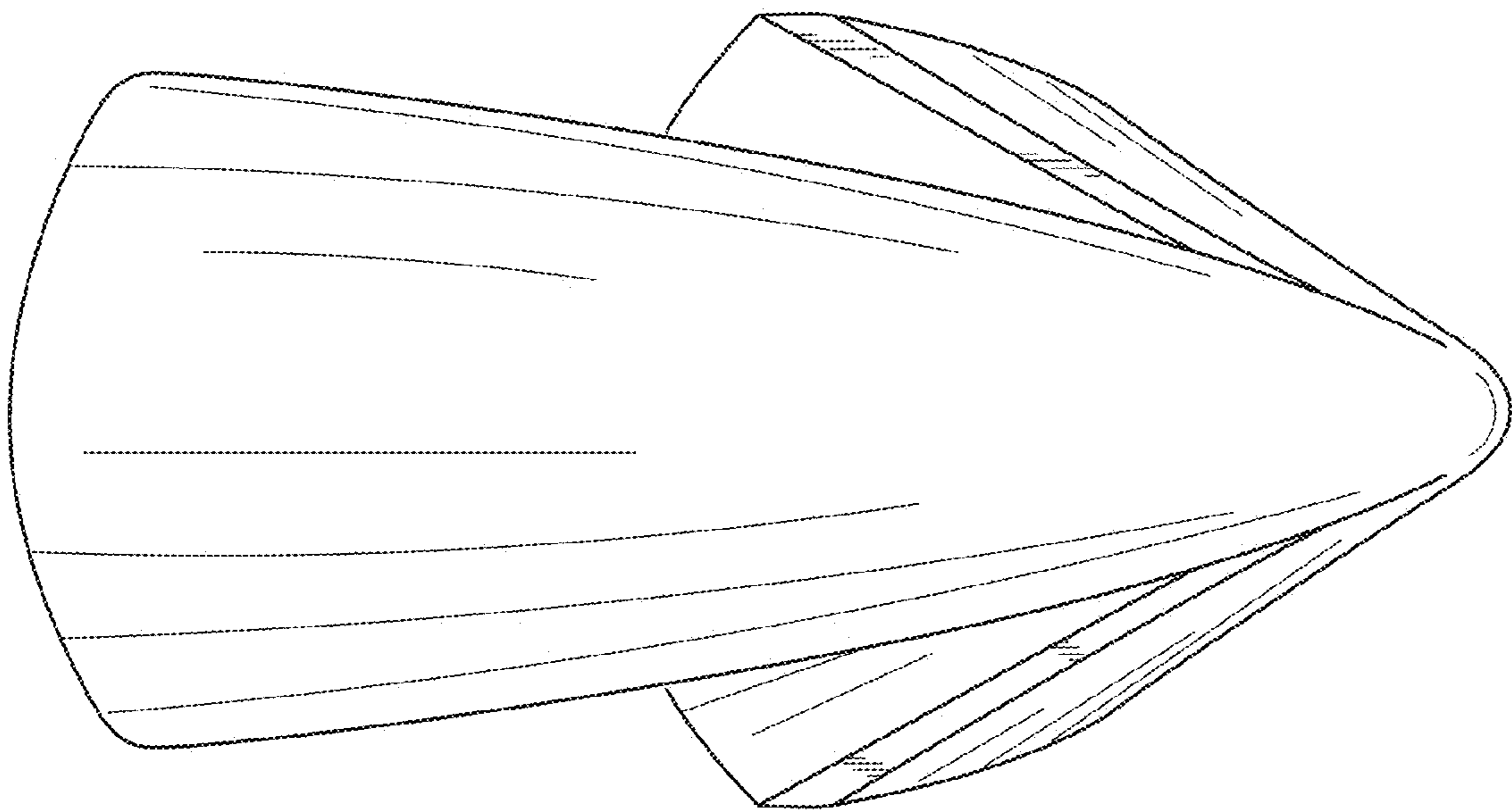


FIG. 6

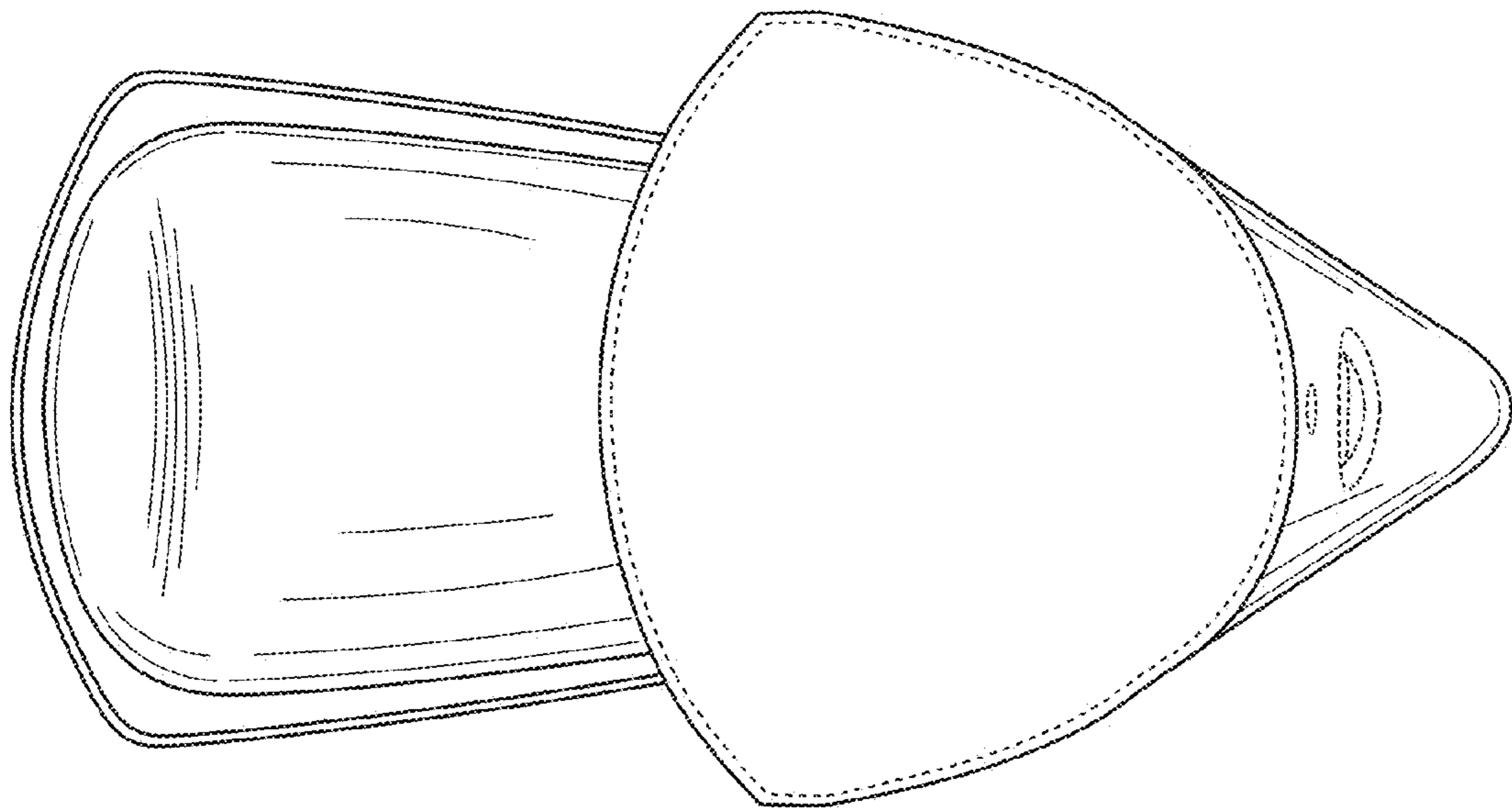


FIG. 7