

US00D734524S

(12) **United States Design Patent**
Boudewyns et al.

(10) **Patent No.:** **US D734,524 S**

(45) **Date of Patent:** **** Jul. 14, 2015**

(54) **OUTDOOR LIGHTING FIXTURE**

(71) Applicant: **SCHREDER, S.A.**, Brussels (BE)

(72) Inventors: **Wim Boudewyns**, Brasschaat (BE);
Sebastian Esposito, Deurne (BE)

(73) Assignee: **SCHREDER, S.A.**, Brussels (BE)

(**) Term: **14 Years**

(21) Appl. No.: **29/473,797**

(22) Filed: **Nov. 26, 2013**

(30) **Foreign Application Priority Data**

May 27, 2013 (EM) 1372288-002

(51) **LOC (10) Cl.** **26-03**

(52) **U.S. Cl.**
USPC **D26/63**

(58) **Field of Classification Search**
USPC D26/1, 24, 61, 63, 65, 85, 92
CPC F21V 21/14; F21V 15/01; F21V 14/02;
F21V 21/30; F21V 21/00; F21V 14/00;
F21S 8/00; F21S 8/003; F21S 8/043; F21Y
2105/001

See application file for complete search history.

(56) **References Cited**

U.S. PATENT DOCUMENTS

D214,583 S *	7/1969	Routh et al.	D26/63
D581,080 S *	11/2008	Mier-Langner	D26/63
D654,607 S *	2/2012	Kim et al.	D26/63
D674,949 S *	1/2013	Georgitsis et al.	D26/63
D679,853 S *	4/2013	Chiou et al.	D26/63

* cited by examiner

Primary Examiner — Brian N Vinson

(74) *Attorney, Agent, or Firm* — Kirschstein, et al.

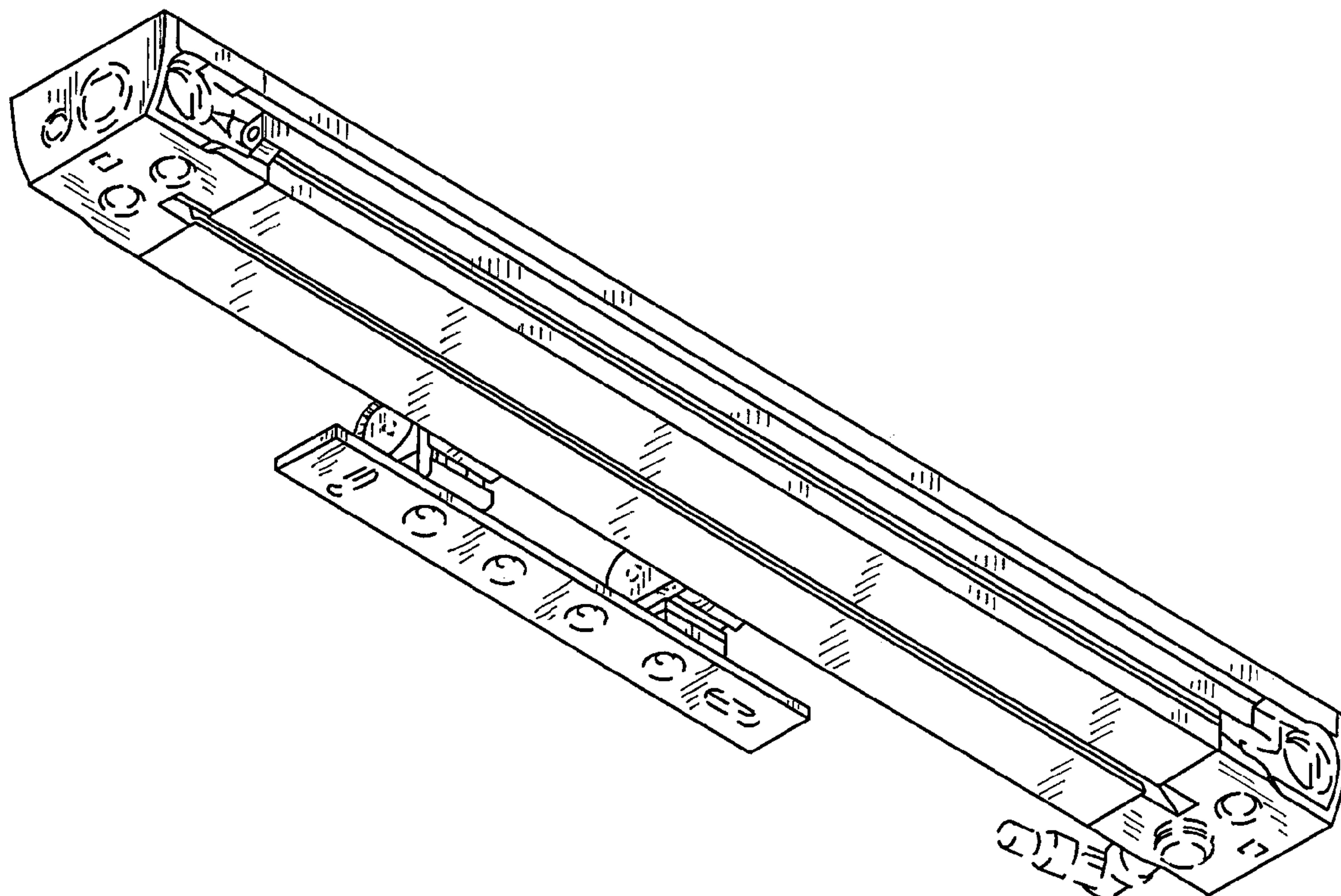
(57) **CLAIM**

The ornamental design for an outdoor lighting fixture, as shown and described.

DESCRIPTION

FIG. 1 is a perspective view of an outdoor lighting fixture according to our new design as seen from below; FIG. 2 is a top plan view thereof; FIG. 3 is a front elevational view thereof; FIG. 4 is a right side elevational view thereof; FIG. 5 is a left side elevational view thereof; FIG. 6 is a rear elevational view thereof; FIG. 7 is a bottom plan view thereof; and, FIG. 8 is a perspective view thereof as seen from above. The broken lines in the figures form no part of the claimed design.

1 Claim, 4 Drawing Sheets



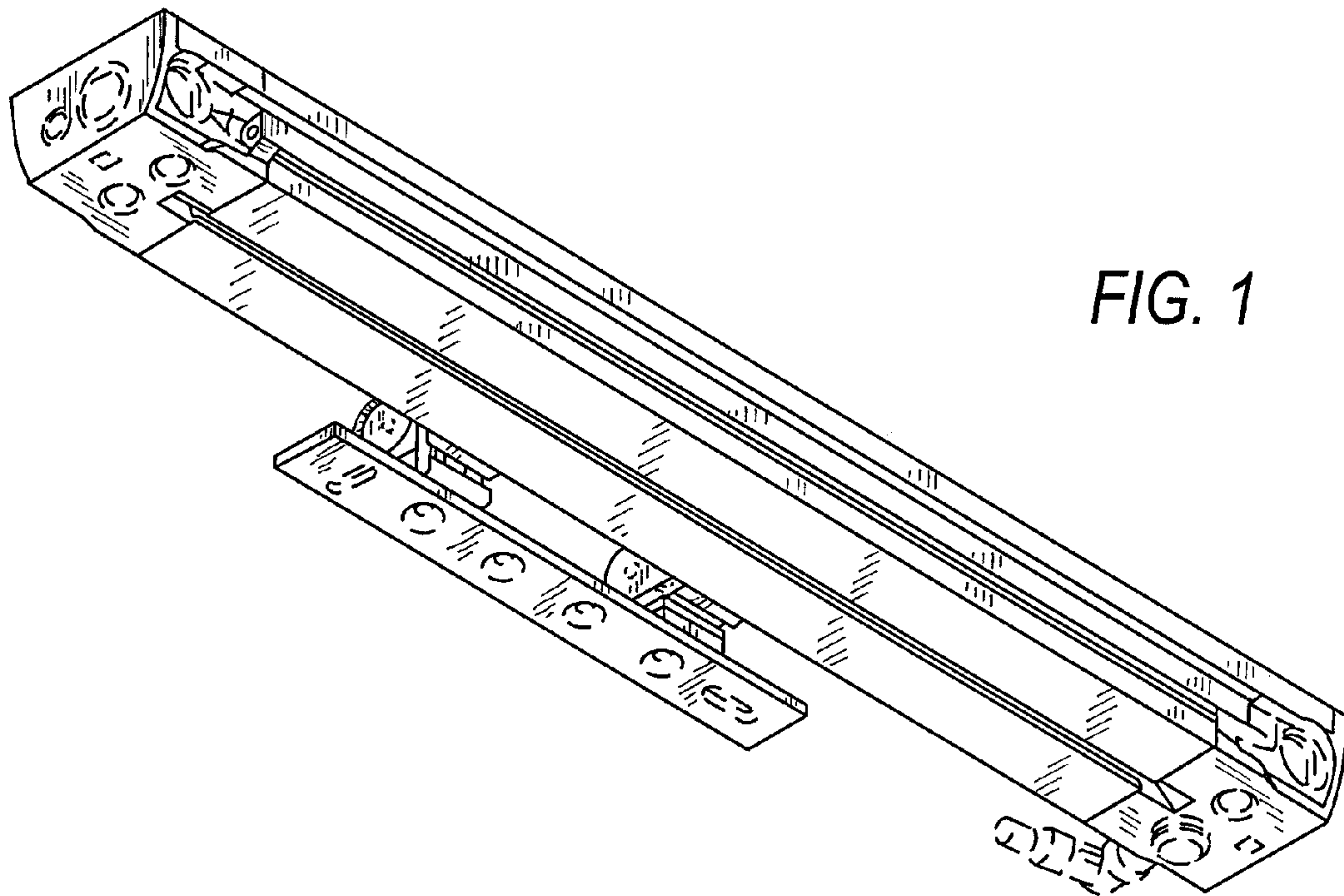


FIG. 1

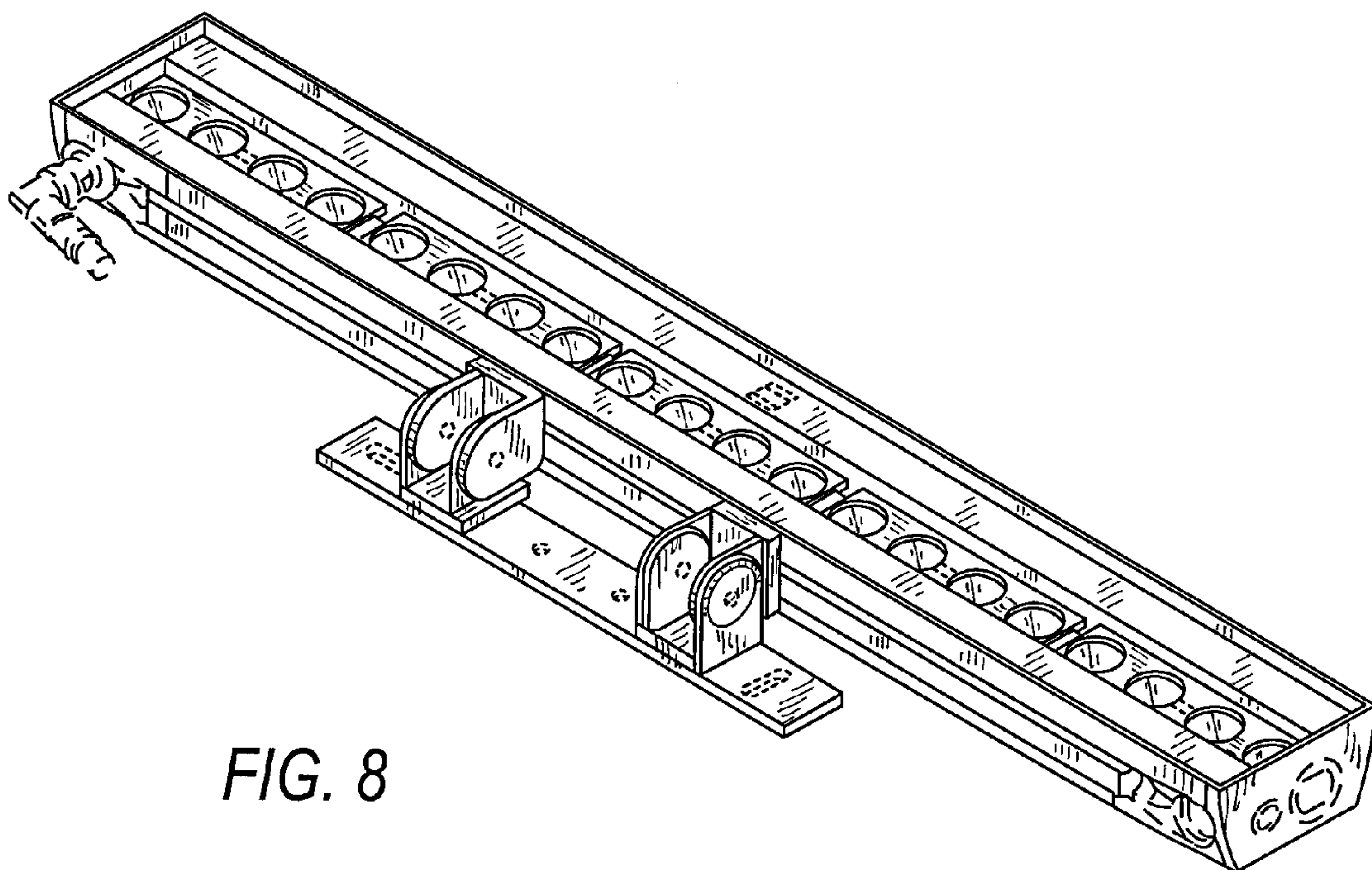


FIG. 8

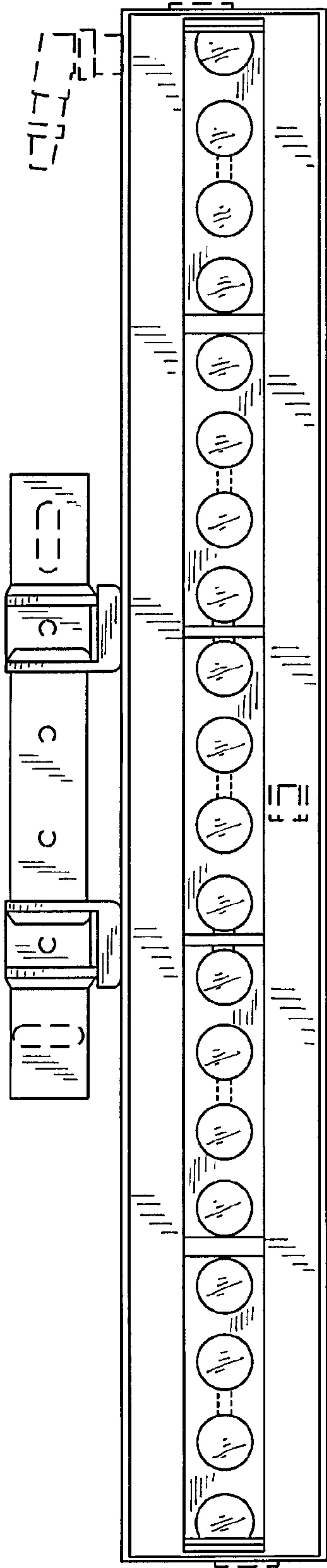


FIG. 2

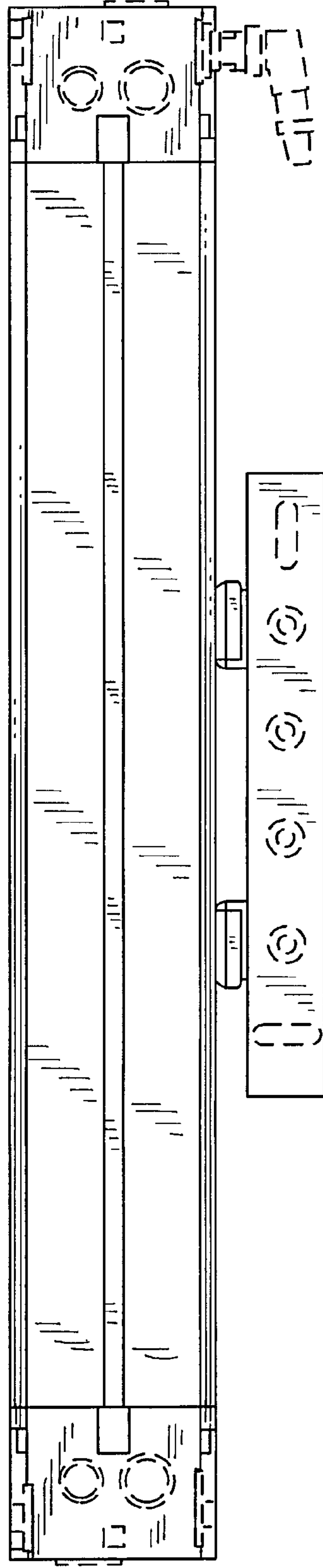


FIG. 7

FIG. 3

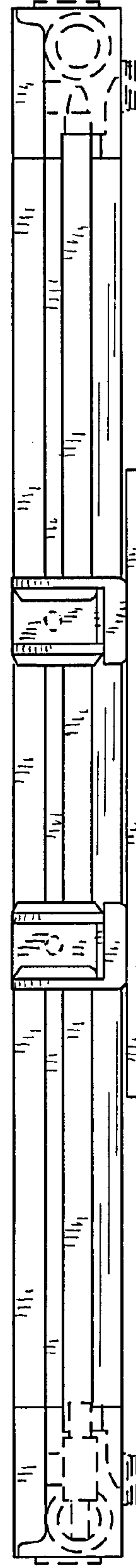
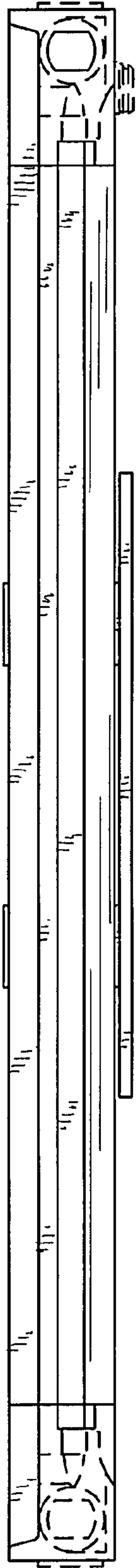


FIG. 6

FIG. 4

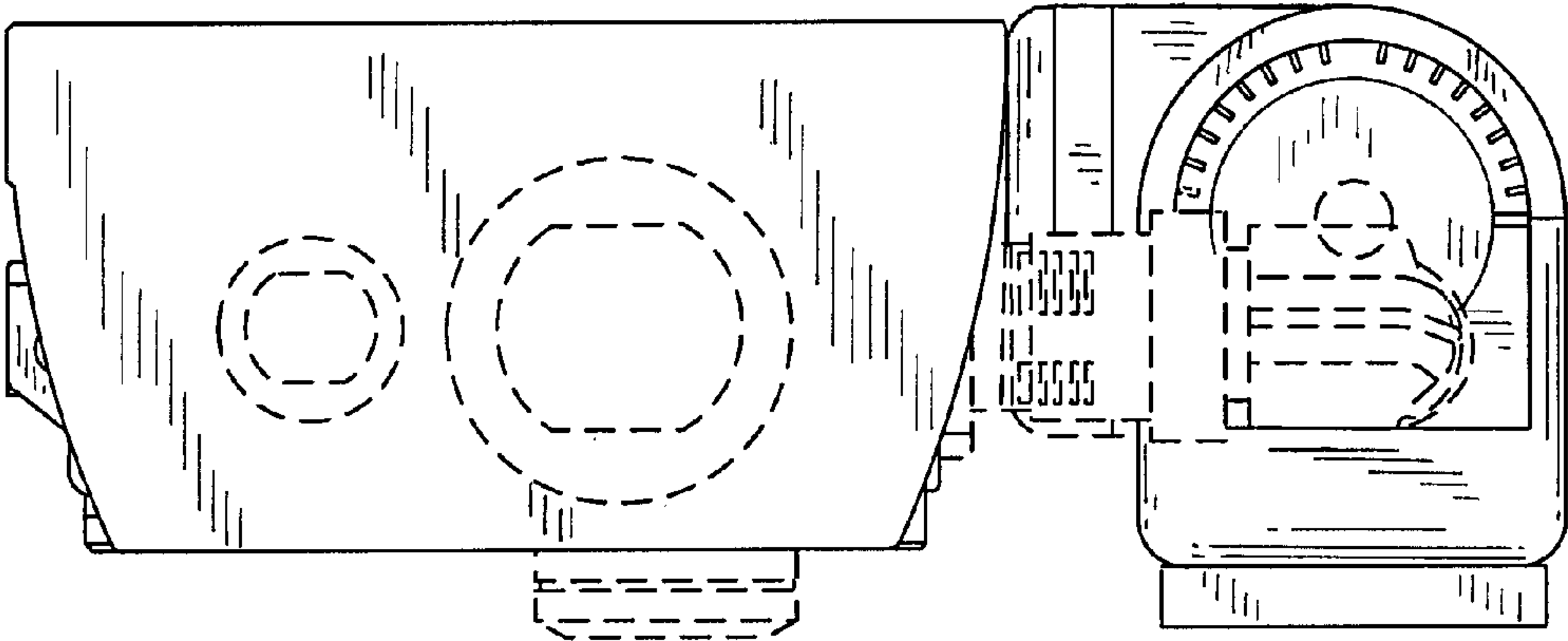
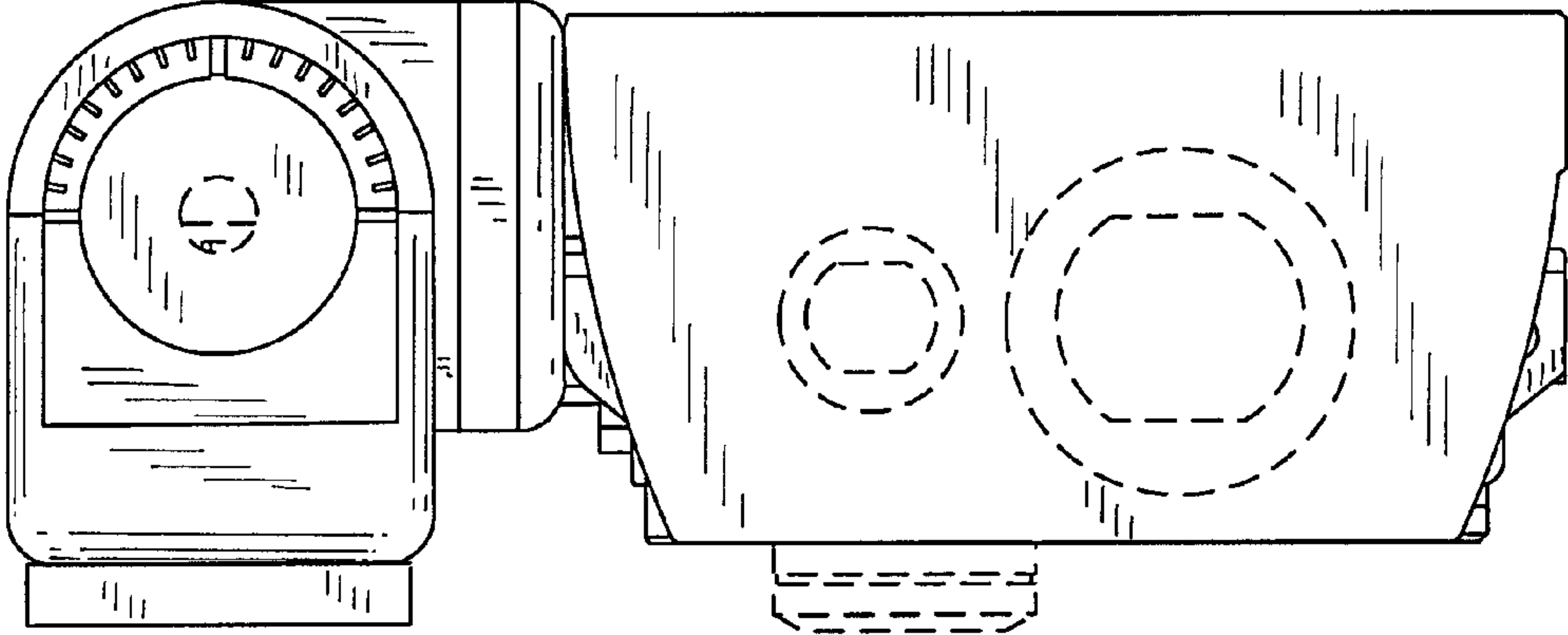


FIG. 5