



US00D734523S

(12) **United States Design Patent**  
**Boudewyns**

(10) **Patent No.:** **US D734,523 S**

(45) **Date of Patent:** **\*\* Jul. 14, 2015**

(54) **OUTDOOR LIGHTING FIXTURE**

(56) **References Cited**

(71) Applicant: **SCHREDER, S.A.**, Brussels (BE)

(72) Inventor: **Wim Boudewyns**, Brasschaat (BE)

(73) Assignee: **SCHREDER, S.A.**, Brussels (BE)

(\*\*) Term: **14 Years**

(21) Appl. No.: **29/469,158**

(22) Filed: **Oct. 8, 2013**

(30) **Foreign Application Priority Data**

Apr. 9, 2013 (EM) ..... 1367247-001

(51) **LOC (10) Cl.** ..... **26-03**

(52) **U.S. Cl.**  
USPC ..... **D26/63**

(58) **Field of Classification Search**  
USPC ..... D26/1, 24, 61, 63, 65, 85, 92  
CPC ..... F21V 21/14; F21V 15/01; F21V 14/02;  
F21V 21/30; F21V 21/00; F21V 14/00;  
F21S 8/00; F21S 8/003; F21S 8/043; F21Y  
2105/001

See application file for complete search history.

U.S. PATENT DOCUMENTS

D211,388 S *	6/1968	Harrison .....	D26/63
D214,582 S *	7/1969	Routh et al. ....	D26/63
D291,360 S *	8/1987	De Vos et al. ....	D26/63
D322,135 S *	12/1991	Wierzbicki et al. ....	D26/24
D597,693 S *	8/2009	Kauffman et al. ....	D26/63
D629,550 S *	12/2010	Sandell .....	D26/63
D645,594 S *	9/2011	Grawe .....	D26/63
D650,505 S *	12/2011	Oka .....	D26/63
D693,501 S *	11/2013	Kochman .....	D26/63

\* cited by examiner

*Primary Examiner* — Brian N Vinson

(74) *Attorney, Agent, or Firm* — Kirschstein, et al.

(57) **CLAIM**

The ornamental design for an outdoor lighting fixture, as shown and described.

**DESCRIPTION**

FIG. 1 is a perspective view of an outdoor lighting fixture according to my new design as seen from below;  
FIG. 2 is a perspective view thereof, as seen from above;  
FIG. 3 is a front elevational view thereof;  
FIG. 4 is a top plan view thereof;  
FIG. 5 is a left side elevational view thereof;  
FIG. 6 is a right side elevational view thereof;  
FIG. 7 is a rear elevational view thereof; and,  
FIG. 8 is a bottom plan view thereof.  
The broken lines in the figures form no part of the claimed design.

**1 Claim, 4 Drawing Sheets**

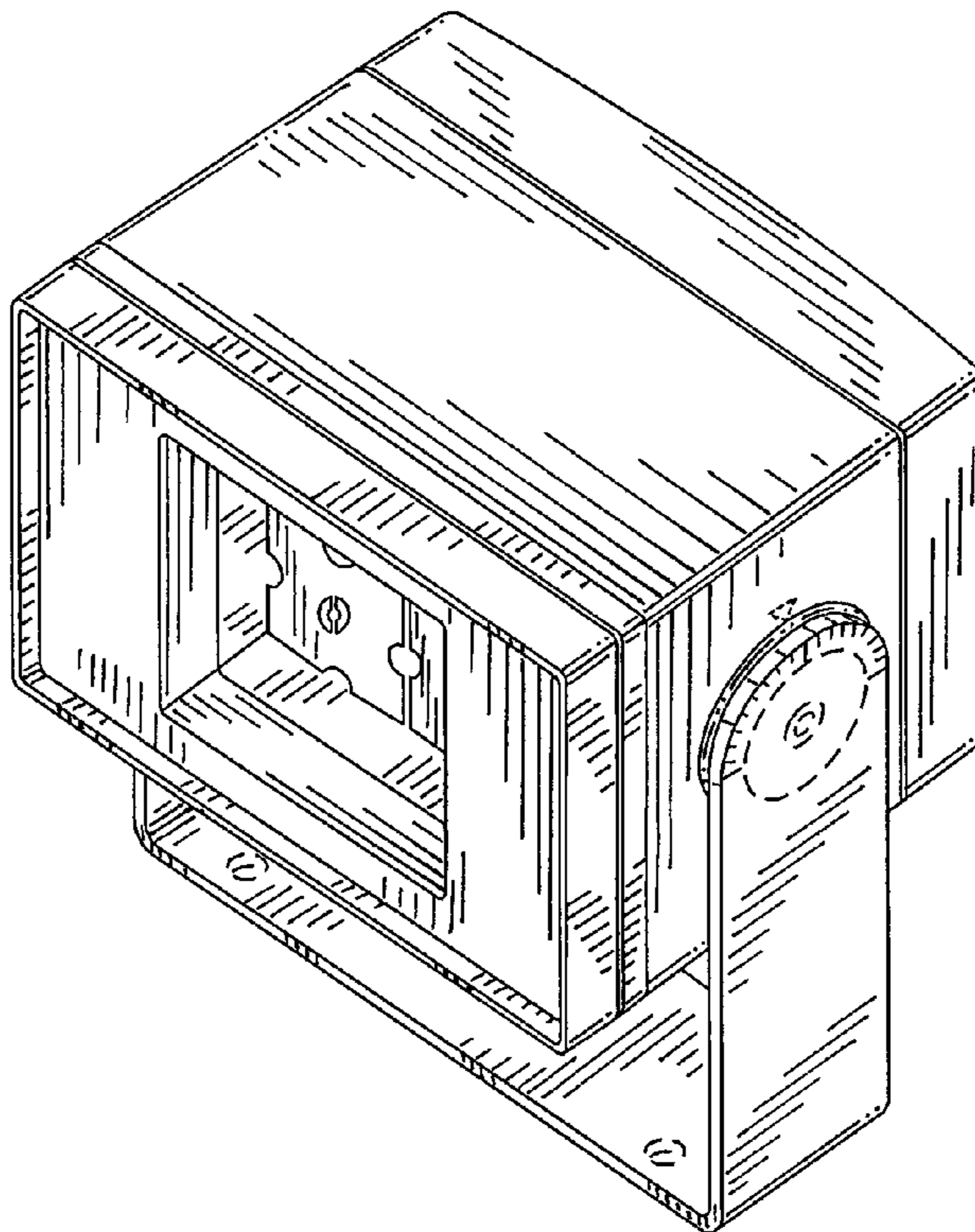


FIG. 1

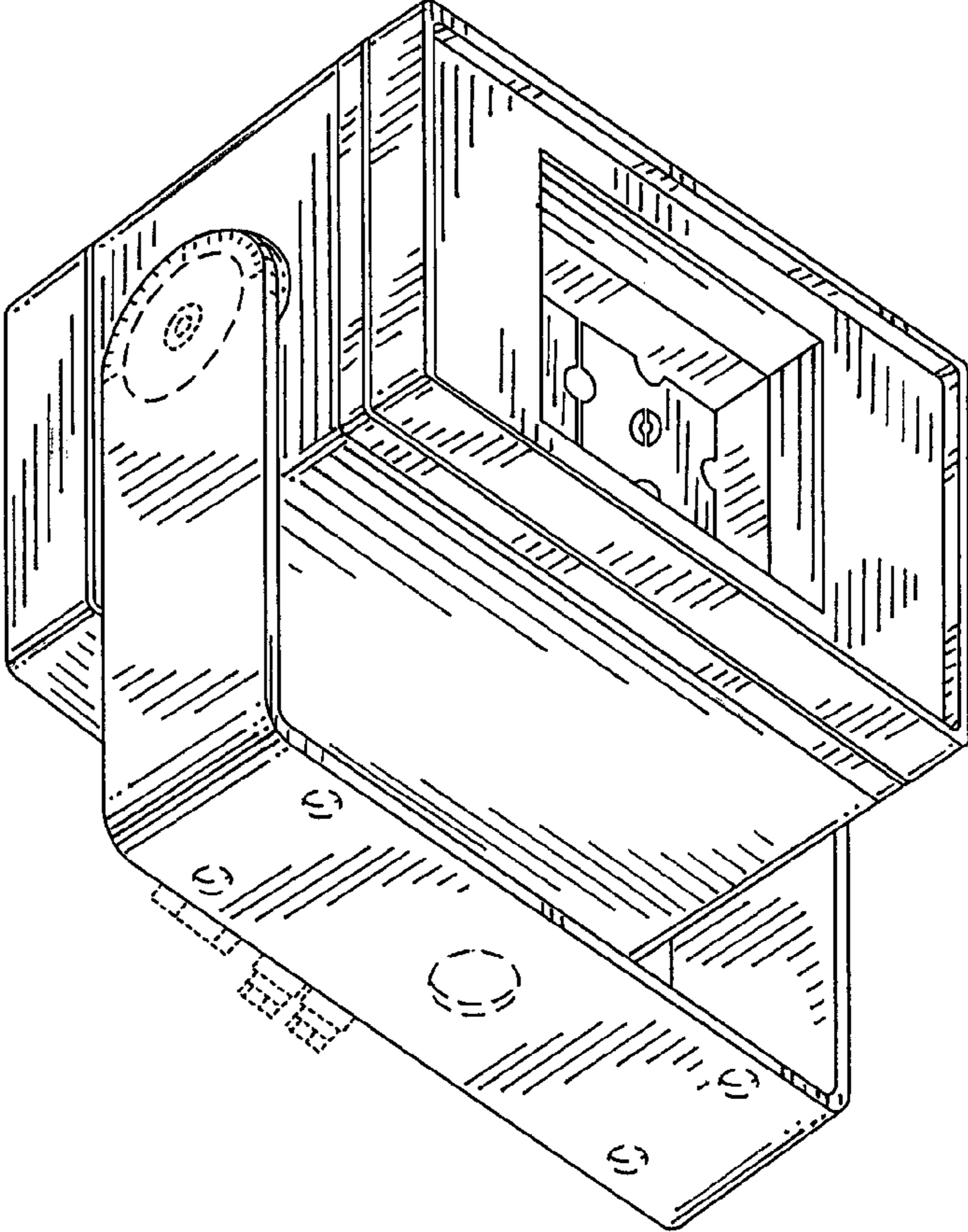
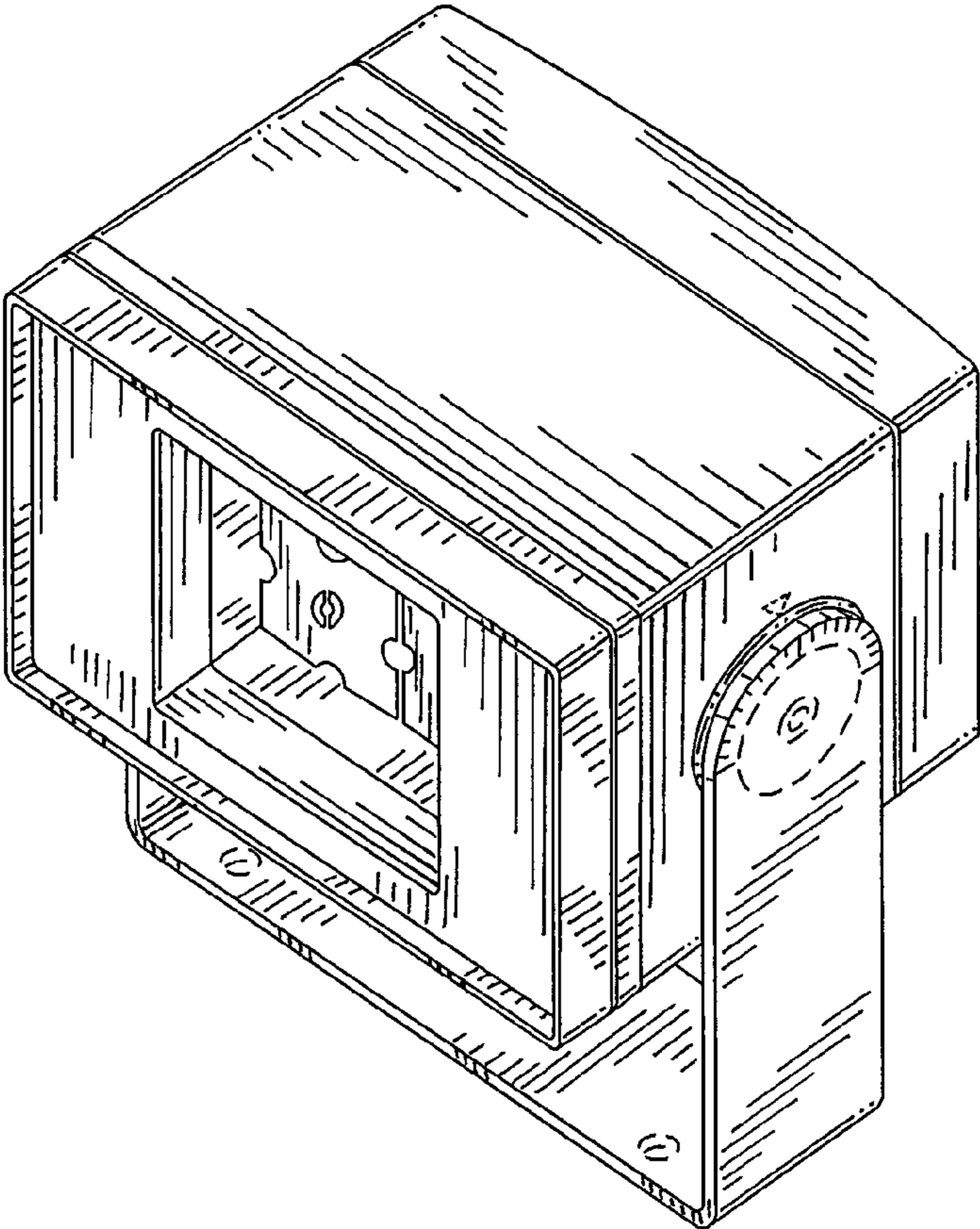


FIG. 2



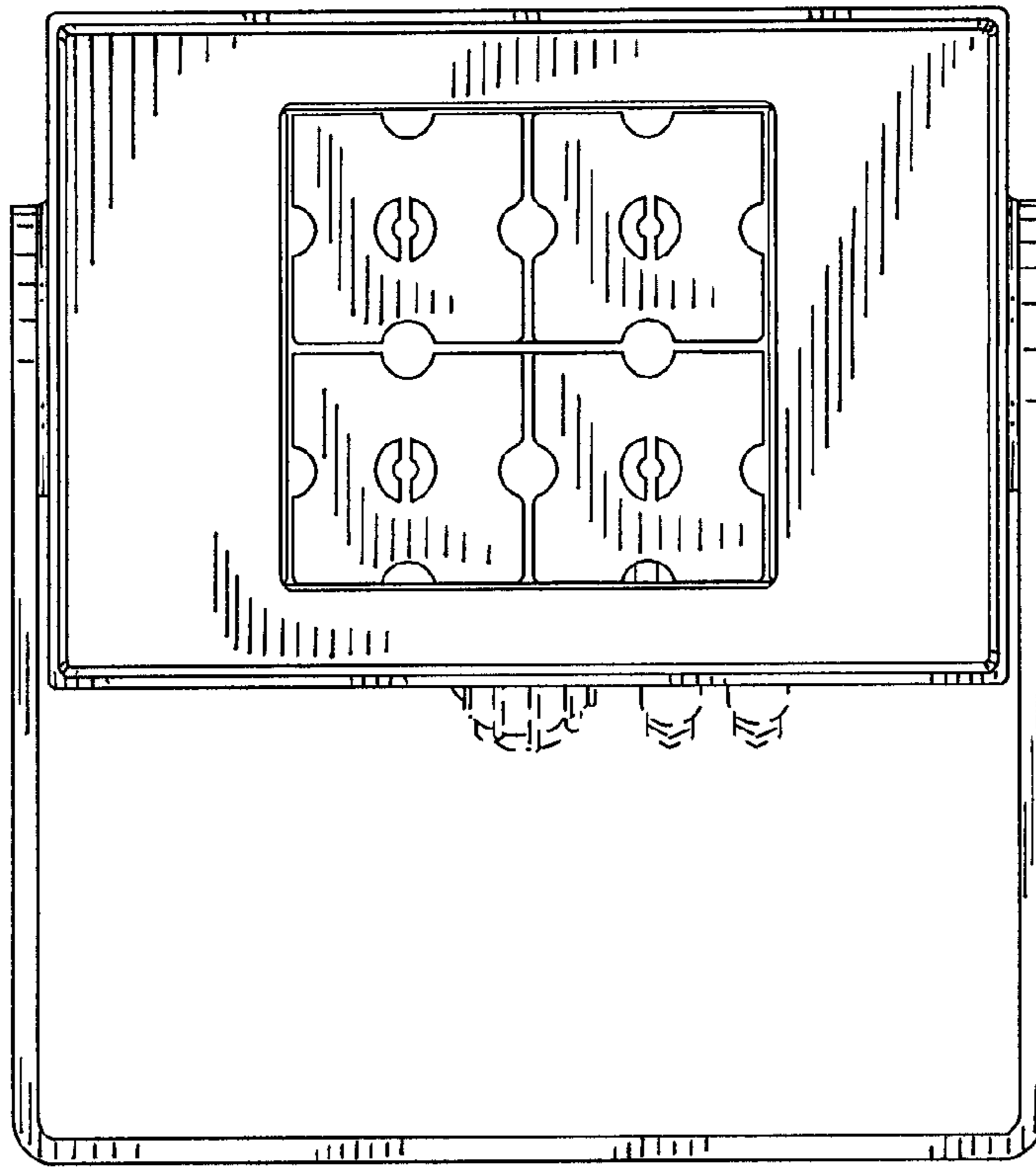


FIG. 3

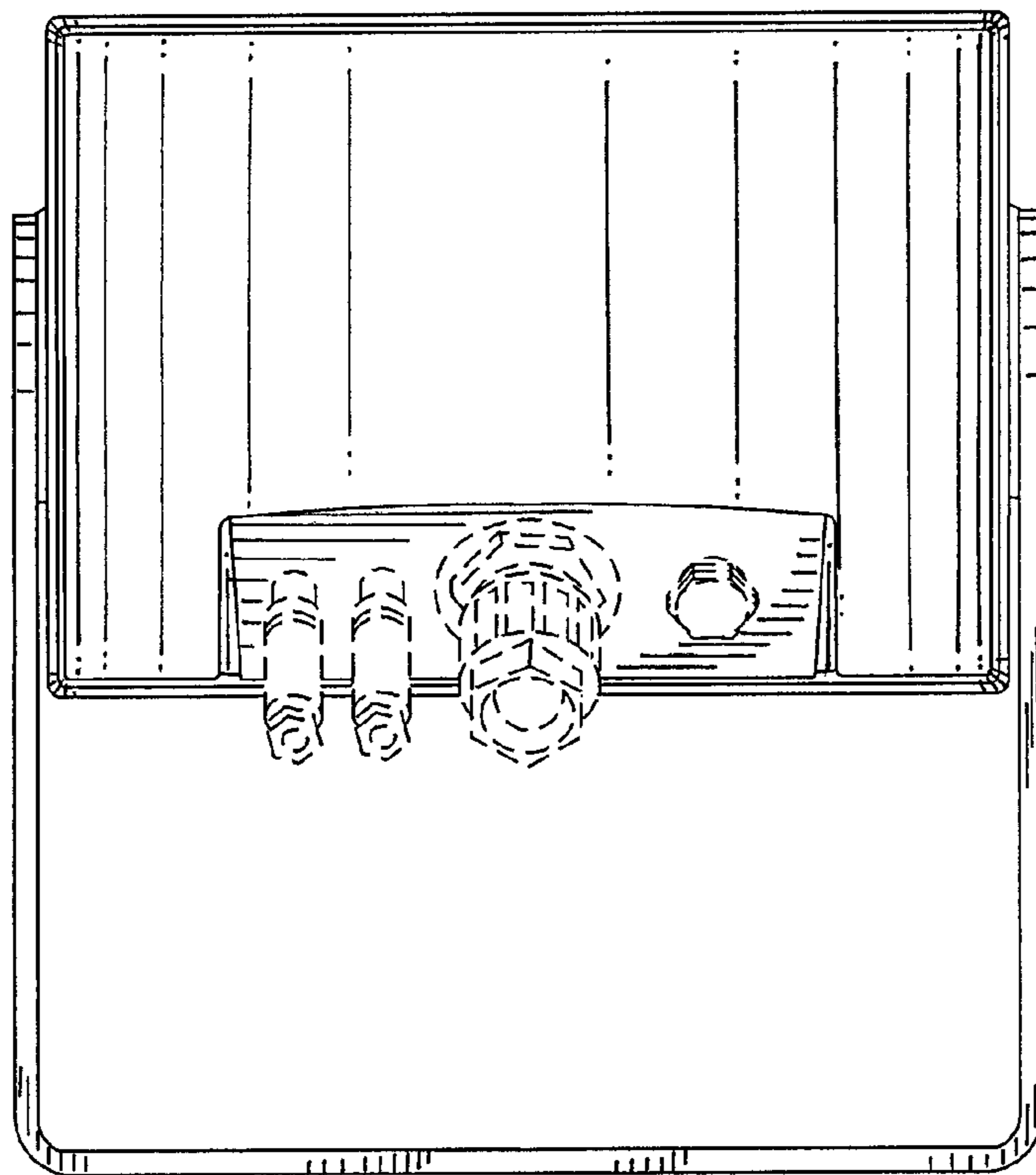


FIG. 7



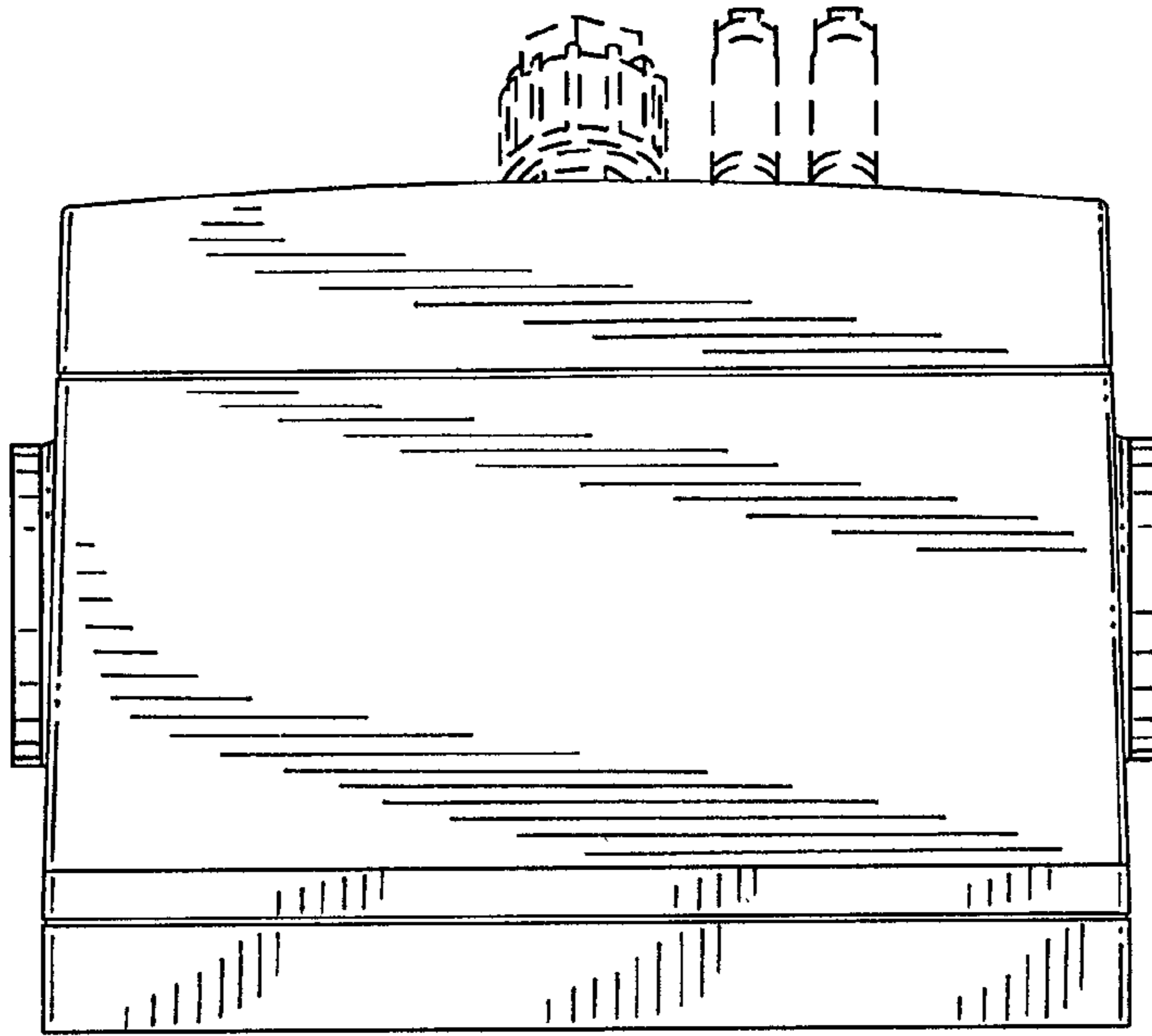


FIG. 4

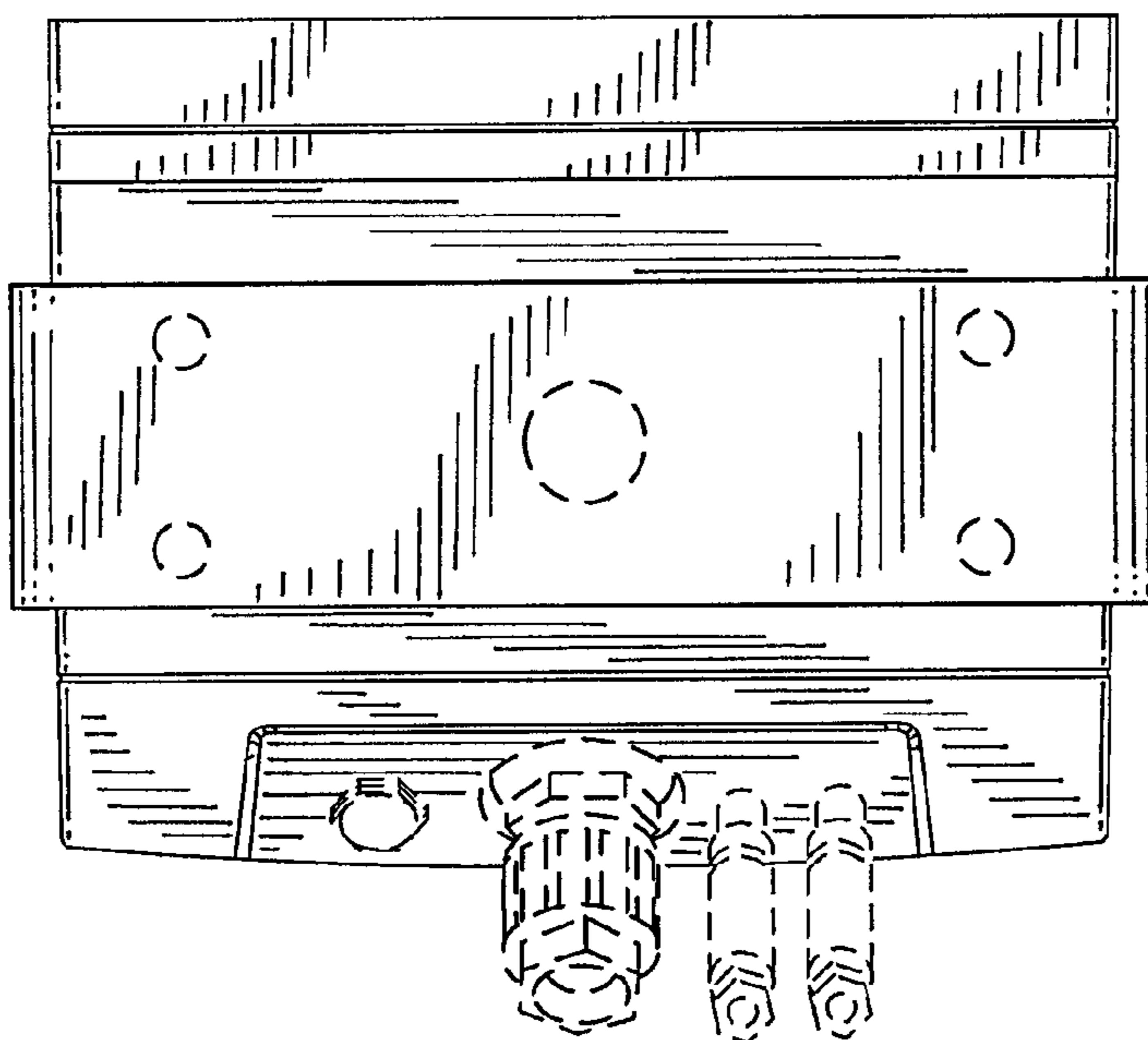


FIG. 8

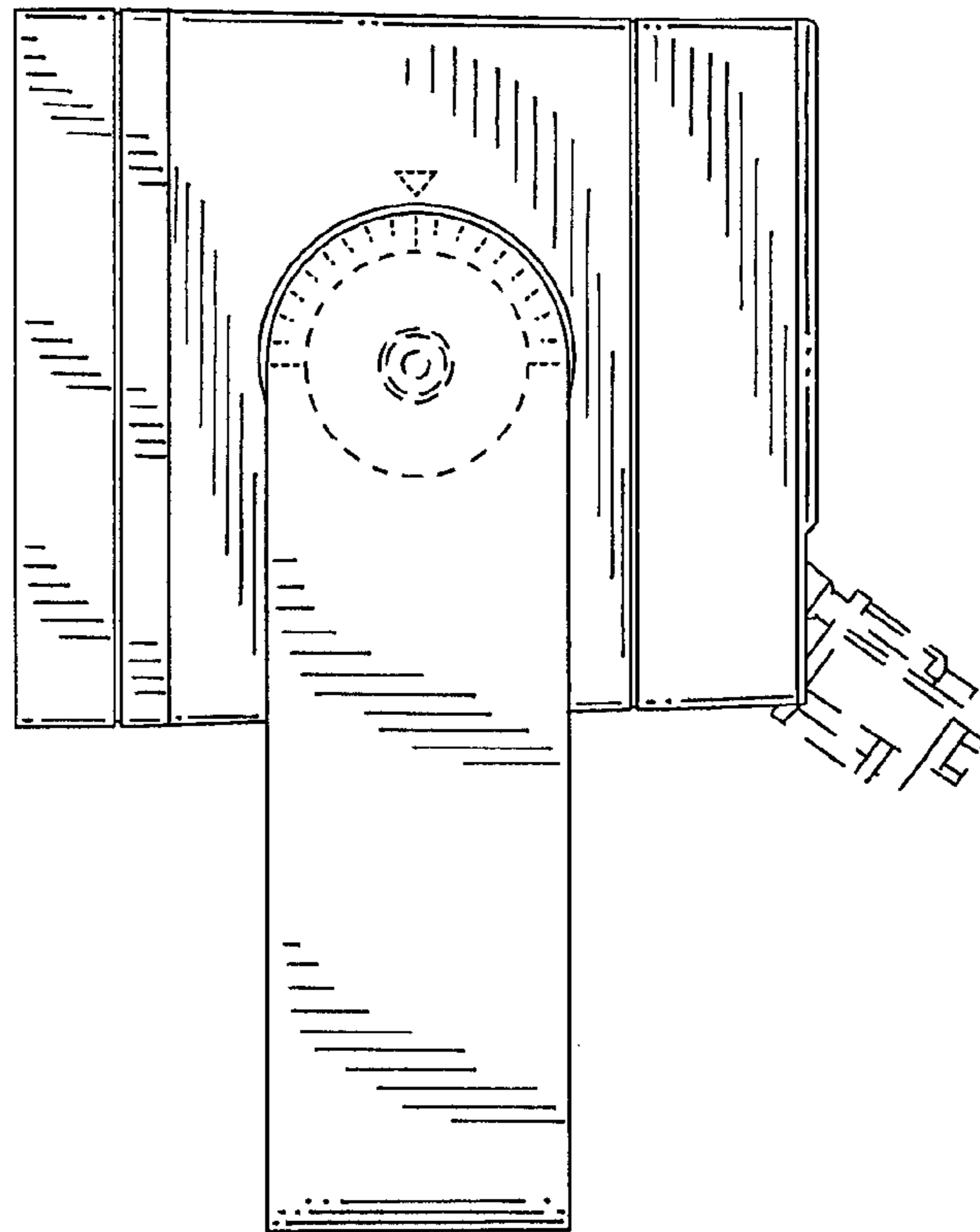


FIG. 5

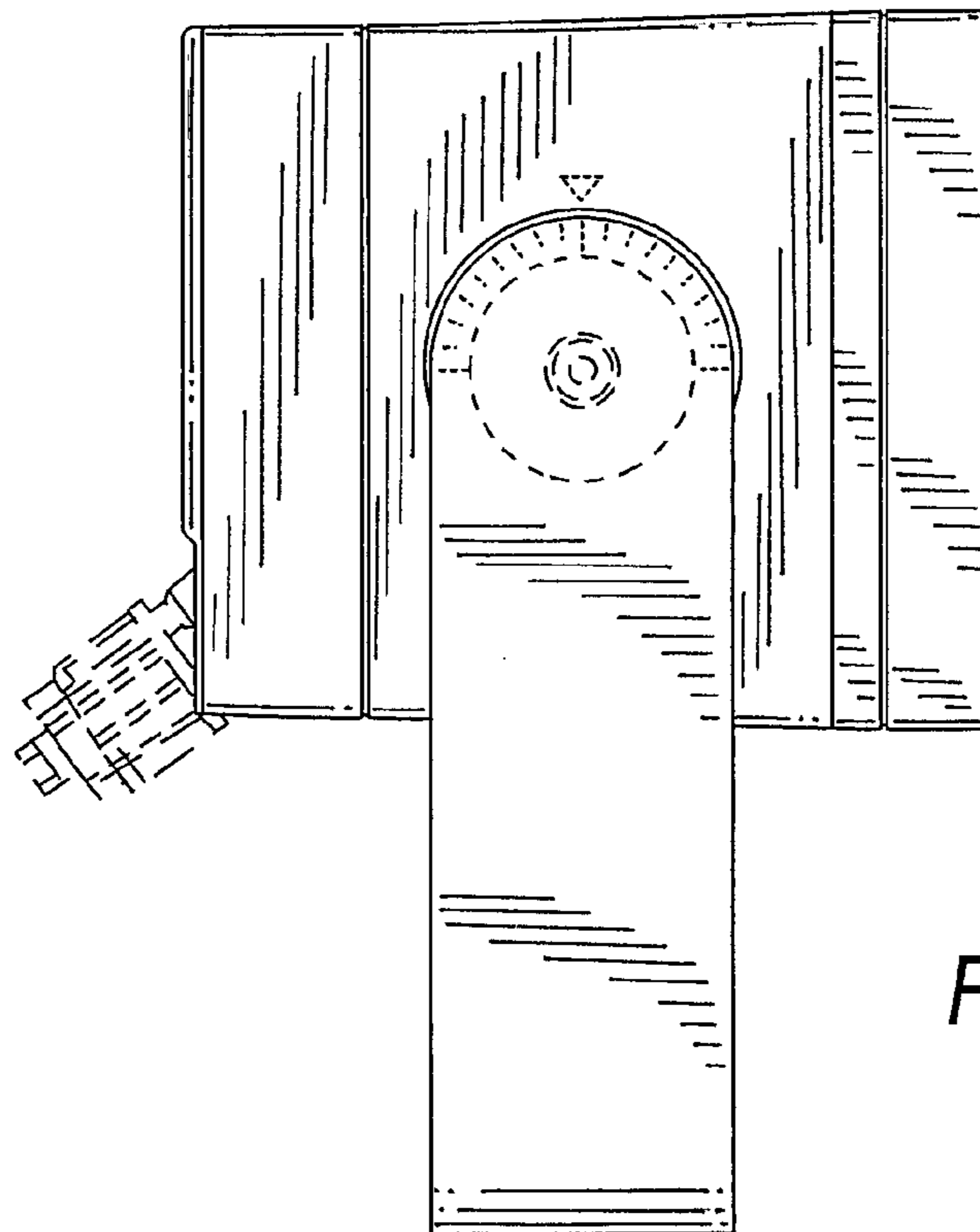


FIG. 6