



US00D734521S

(12) **United States Design Patent**  
**Gebhard et al.**

(10) **Patent No.:** **US D734,521 S**  
(45) **Date of Patent:** **\*\* Jul. 14, 2015**

- (54) **SEARCHLIGHT**
- (71) Applicant: **Golight, Inc.**, Culbertson, NE (US)
- (72) Inventors: **Albert W. Gebhard**, Denver, CO (US);  
**Colton D. Hosick**, Culbertson, NE (US)
- (73) Assignee: **Golight, Inc.**, Culbertson, NE (US)
- (\*\*) Term: **14 Years**
- (21) Appl. No.: **29/465,210**
- (22) Filed: **Aug. 26, 2013**
- (51) **LOC (10) Cl.** ..... **26-03**
- (52) **U.S. Cl.**  
USPC ..... **D26/63**
- (58) **Field of Classification Search**  
USPC ..... D26/1, 24, 61, 63, 65, 85, 92  
CPC ..... F21V 21/14; F21V 15/01; F21V 14/02;  
F21V 21/30; F21V 21/00; F21V 14/00;  
F21S 8/00; F21S 8/003; F21S 8/043; F21Y  
2105/001  
See application file for complete search history.

- 5,584,560 A 12/1996 Gosswiller et al.
- 5,673,989 A \* 10/1997 Gohl et al. .... 362/35
- 5,806,956 A 9/1998 Hyun-Jo
- 6,079,852 A \* 6/2000 Kamaya et al. .... 362/287

(Continued)

**FOREIGN PATENT DOCUMENTS**

- EP 1001212 A2 5/2000
- WO 2011/100972 A1 8/2011

(Continued)

**OTHER PUBLICATIONS**

U.S. Appl. No. 29/427,095, filed Jul. 13, 2012; First Named Inventor:  
Albert W. Gebhard.

(Continued)

*Primary Examiner* — Brian N Vinson

(74) *Attorney, Agent, or Firm* — Margaret Polson; Polson  
Intellectual Property Law, PC

(57) **CLAIM**

The ornamental design of a searchlight, as shown and  
described.

(56) **References Cited**

**U.S. PATENT DOCUMENTS**

- 3,936,670 A 2/1976 Allen, Sr.
- D239,315 S 3/1976 Satoh et al.
- D254,094 S 1/1980 Jaksich
- 4,225,906 A 9/1980 Gulliksen et al.
- 4,323,953 A 4/1982 Hutchison
- D269,464 S 6/1983 Caroli
- 4,428,033 A 1/1984 McBride
- 5,019,951 A 5/1991 Osterhout et al.
- D320,462 S 10/1991 Williams et al.
- D322,136 S \* 12/1991 Shima et al. .... D26/24
- D327,953 S 7/1992 Jordan
- D347,704 S 6/1994 Thompson et al.
- D351,243 S 10/1994 Williams et al.
- 5,490,046 A 2/1996 Gohl et al.

**DESCRIPTION**

FIG. 1 is a front perspective view of our new design for a searchlight, the screws holding the housing are shown in dotted lines and do not form part of the claimed design.

FIG. 2 is a front elevation view of in FIG. 1.

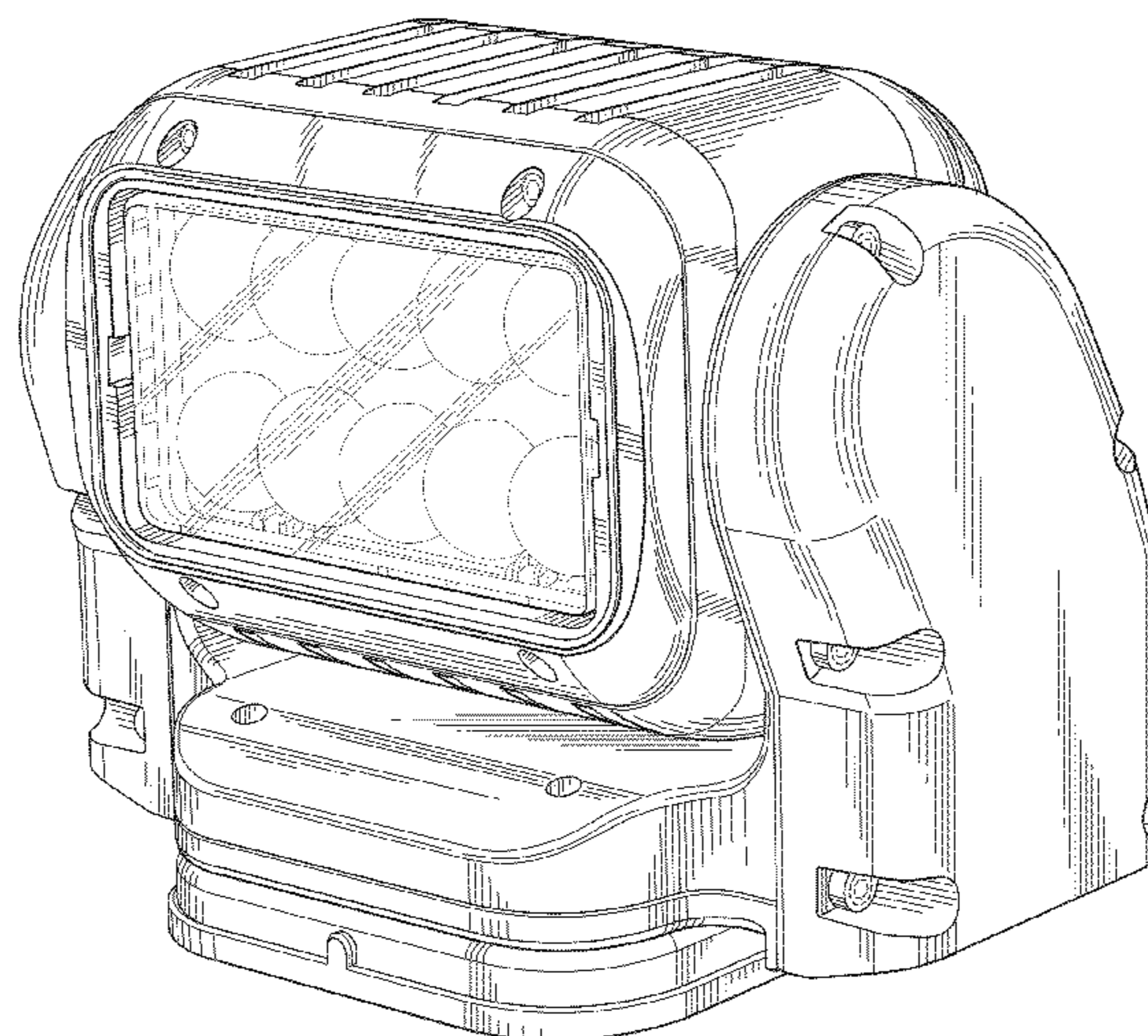
FIG. 3 is a back elevation view of FIG. 1.

FIG. 4 is a side elevation view, which are mirror images thereof, of the right and left sides of FIG. 1.

FIG. 5 is a top plan view of FIG. 1; and,

FIG. 6 is a bottom plan view of FIG. 1. The bottom surface of the base is shown in dotted lines and is not part of the claimed design.

**1 Claim, 5 Drawing Sheets**



(56)

**References Cited**

U.S. PATENT DOCUMENTS

6,499,867 B1 12/2002 Neal  
 6,558,029 B2 5/2003 Spring, Jr.  
 D515,228 S 2/2006 Gebhard et al.  
 D528,678 S 9/2006 Yen  
 D552,781 S 10/2007 Kosche et al.  
 D556,353 S 11/2007 Gebhard et al.  
 D566,318 S \* 4/2008 Quiogue et al. .... D26/63  
 D573,286 S \* 7/2008 Zettl ..... D26/63  
 D574,102 S 7/2008 Quiogue et al.  
 D575,424 S 8/2008 Gebhard et al.  
 D582,084 S 12/2008 Gebhard et al.  
 D597,237 S \* 7/2009 Kumthampinij et al. .... D26/61  
 D597,693 S 8/2009 Kauffman et al.  
 D606,691 S 12/2009 Lindholm  
 7,638,970 B1 12/2009 Gebhard et al.  
 D625,870 S 10/2010 Feigenbaum  
 7,862,197 B2 1/2011 Gebhard  
 D641,905 S 7/2011 Janssen  
 D645,594 S 9/2011 Grawe  
 D646,822 S \* 10/2011 Johannessen et al. .... D26/63

D650,505 S 12/2011 Oka  
 D661,420 S 6/2012 Liang  
 D666,346 S \* 8/2012 Gebhard et al. .... D26/63  
 D674,949 S 1/2013 Georgitsis et al.  
 D693,509 S \* 11/2013 Hosick et al. .... D26/63  
 D698,059 S \* 1/2014 Korpi ..... D26/63  
 D698,474 S \* 1/2014 Korpi ..... D26/63  
 D703,851 S \* 4/2014 Gebhard et al. .... D26/63  
 2008/0089060 A1 4/2008 Kondo et al.  
 2010/0014289 A1 1/2010 Thomas et al.  
 2011/0103059 A1 5/2011 Chen et al.

FOREIGN PATENT DOCUMENTS

WO 2013/009916 A2 1/2013  
 WO 2013/016582 A2 1/2013  
 WO 2013/036876 A2 3/2013

OTHER PUBLICATIONS

U.S. Appl. No. 29/465,388, filed Aug. 27, 2013; First Named Inventor: Albert W. Gebhard.

\* cited by examiner



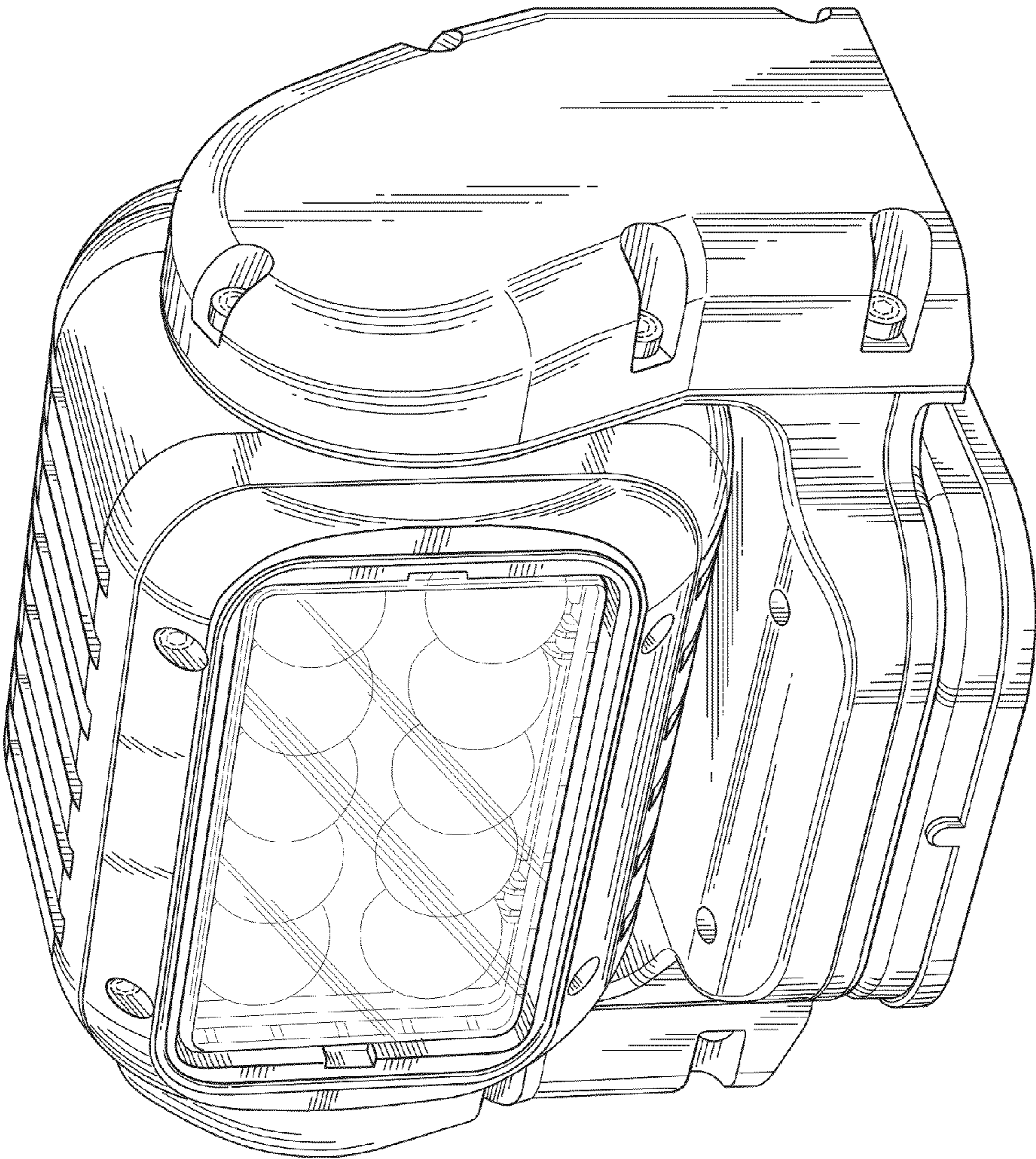


FIG.1

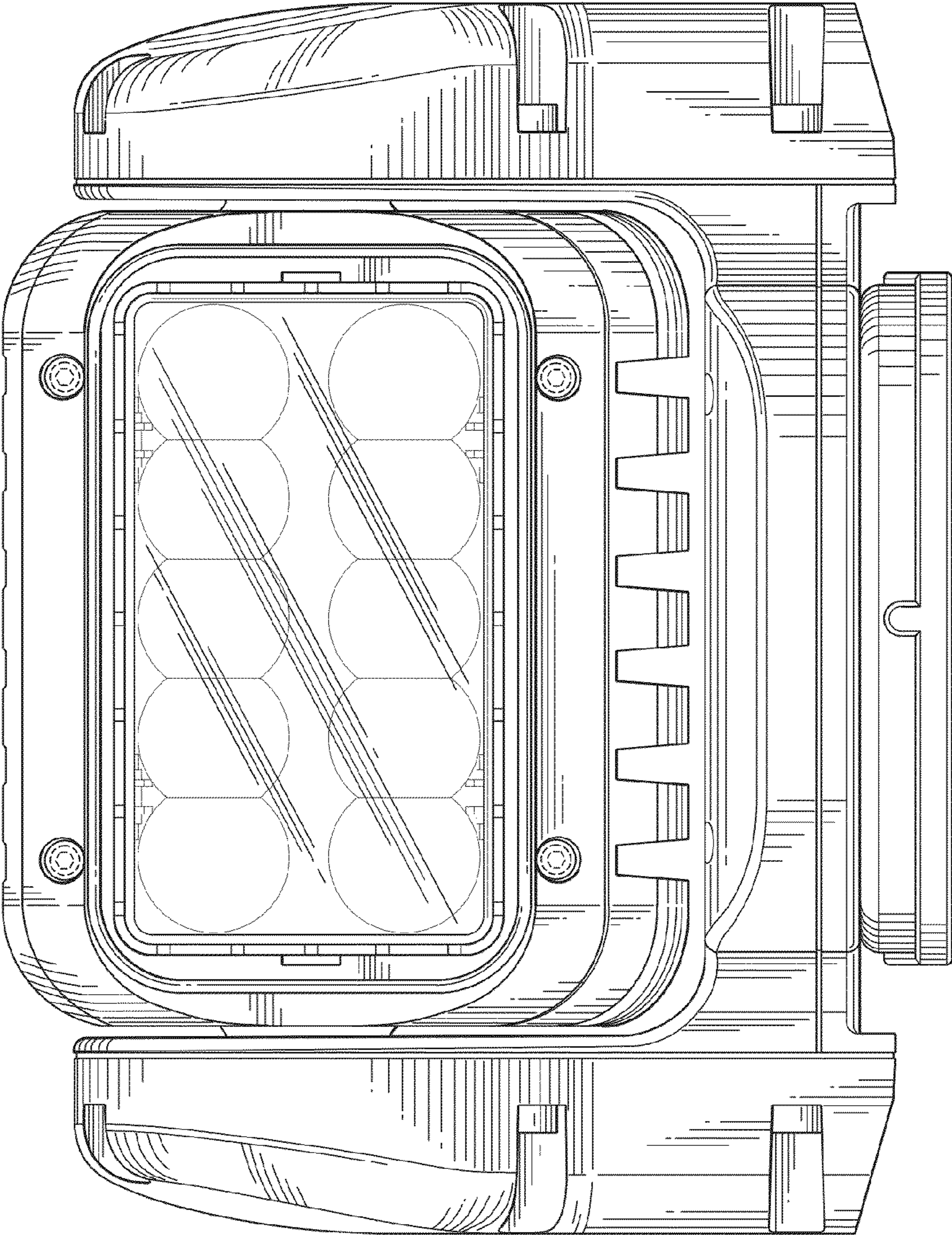


FIG.2



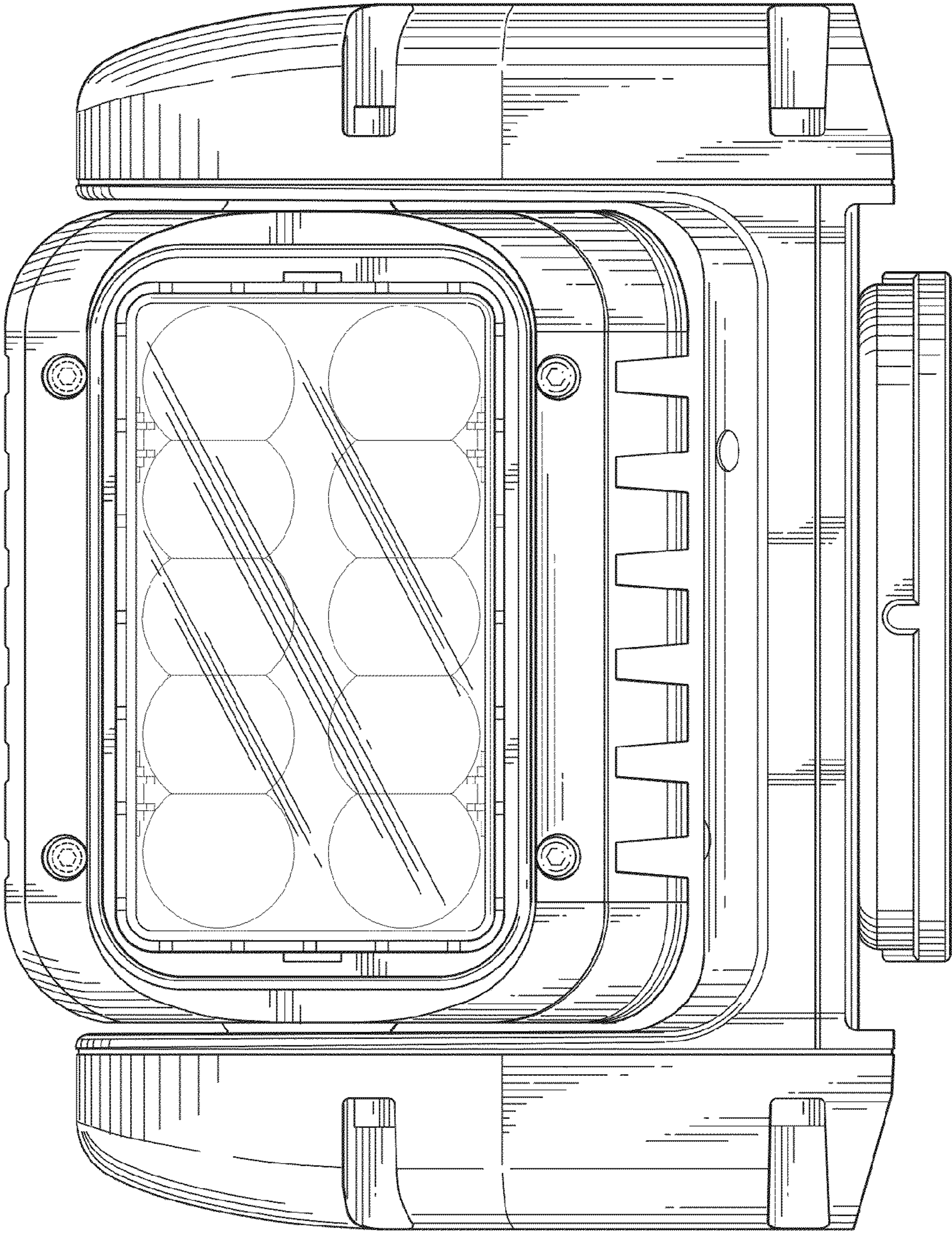


FIG.3

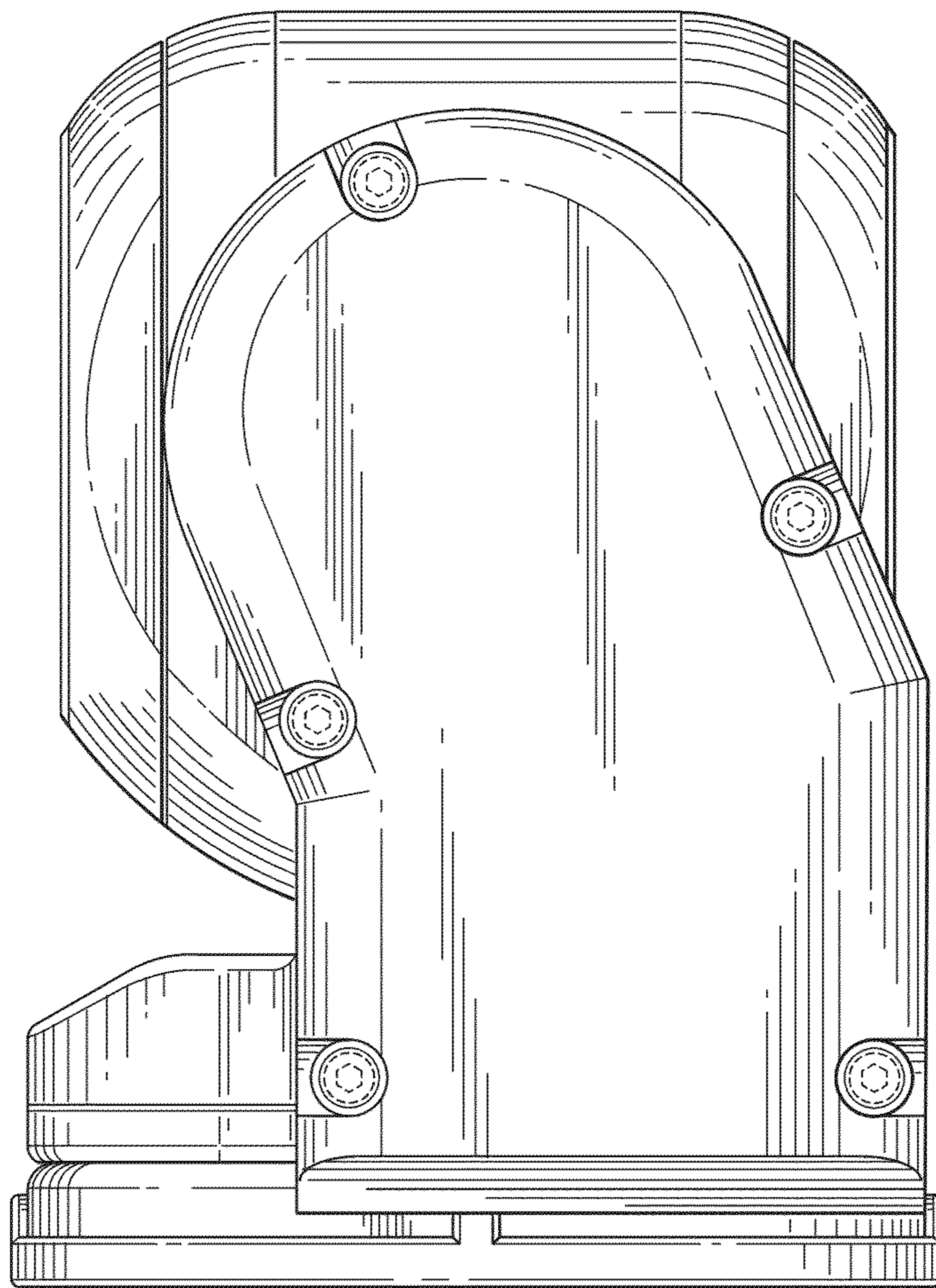


FIG.4



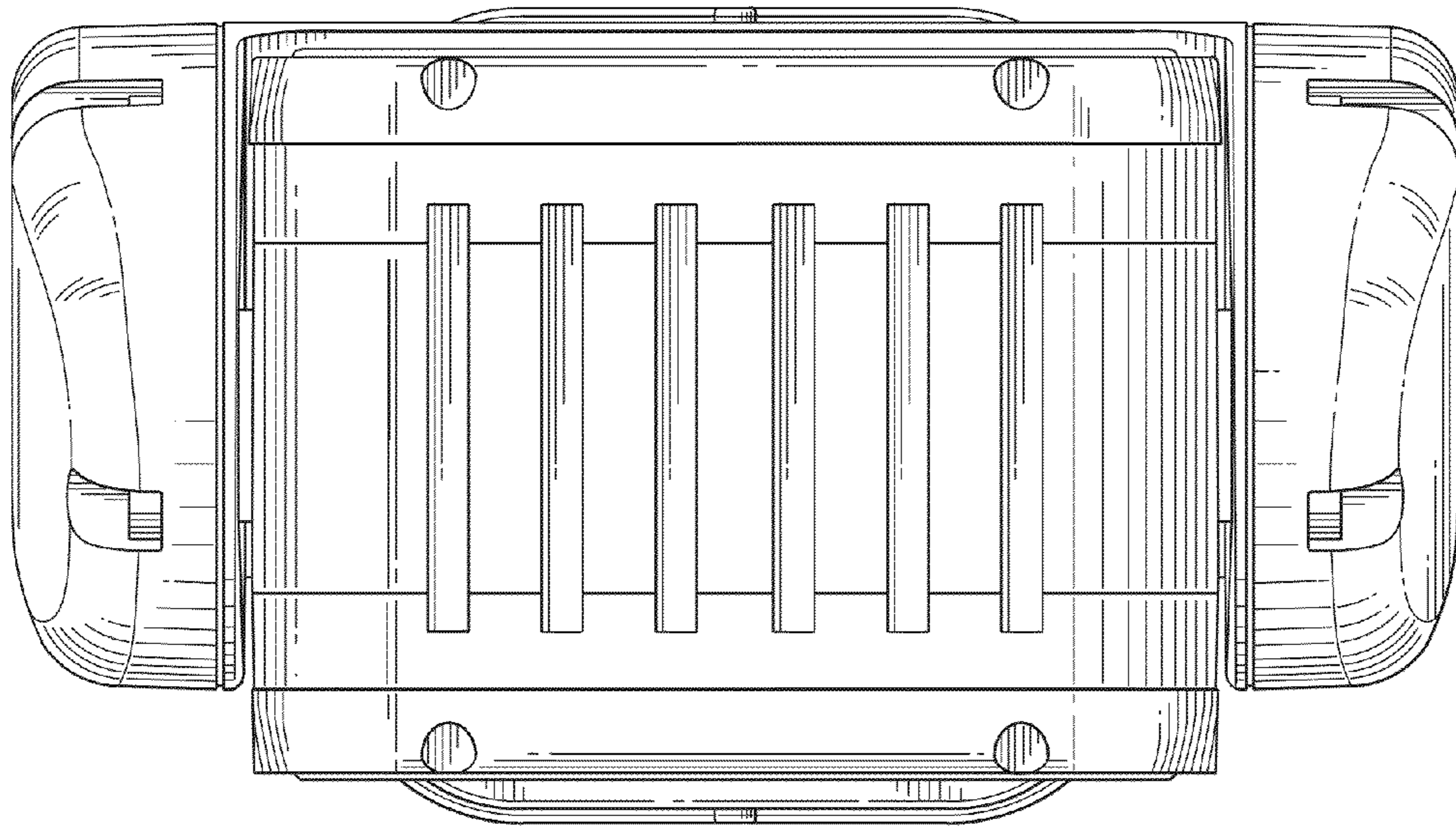


FIG. 5

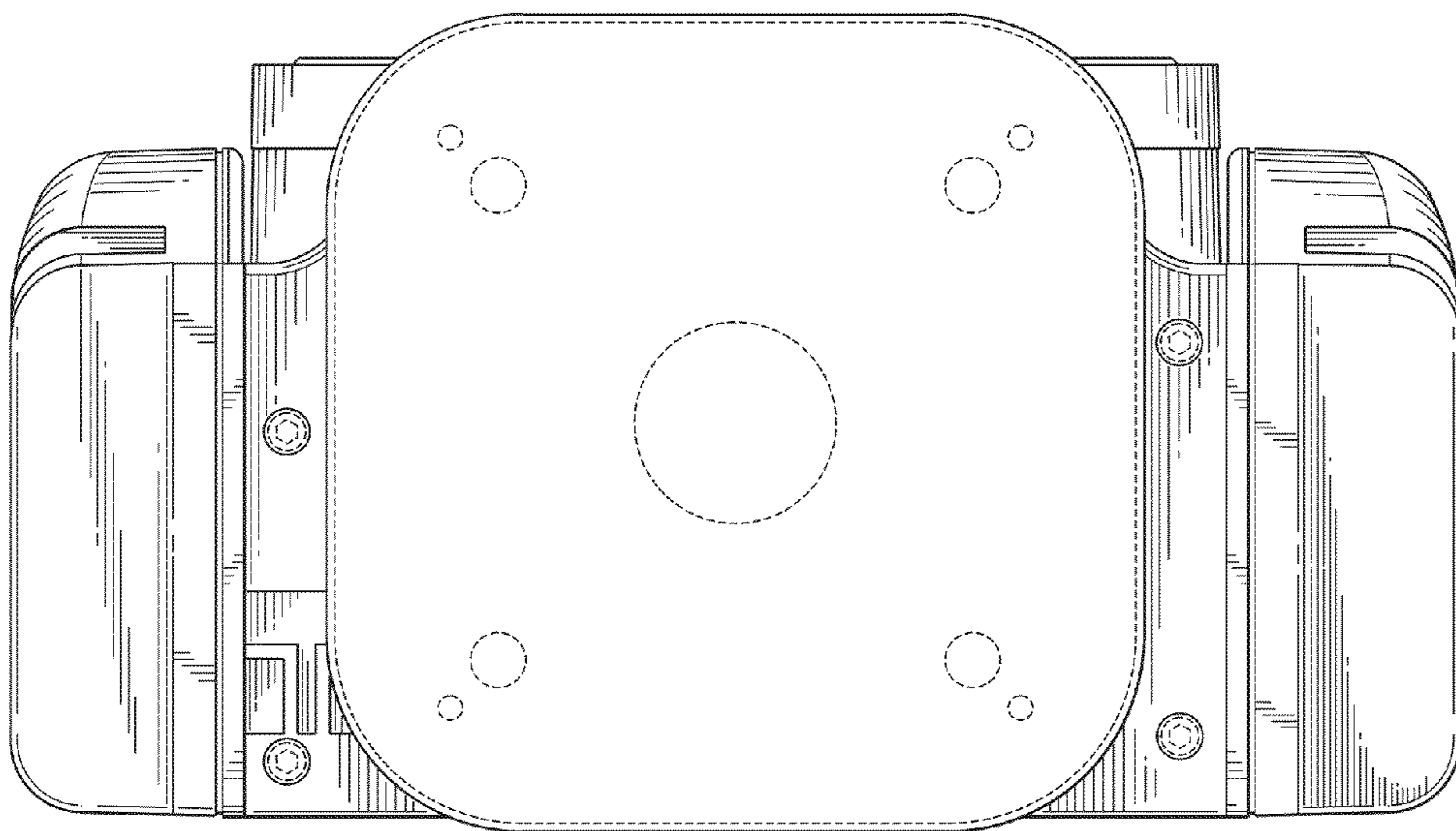


FIG. 6