



US00D734519S

(12) **United States Design Patent**  
**Shen**

(10) **Patent No.:** **US D734,519 S**

(45) **Date of Patent:** **\*\* Jul. 14, 2015**

(54) **LED WORK LIGHT**

(71) Applicant: **NINGBO TALLER ELECTRICAL APPLIANCE CO., LTD.**, Yuyao, Zhejiang (CN)

(72) Inventor: **Jianli Shen**, Zhejiang (CN)

(73) Assignee: **NINGBO TALLER ELECTRICAL APPLIANCE CO., LTD.**, Yuyao (CN)

(\*\*) Term: **14 Years**

(21) Appl. No.: **29/482,104**

(22) Filed: **Feb. 13, 2014**

(30) **Foreign Application Priority Data**

Sep. 24, 2013 (CN) ..... 2013 3 0454041

(51) **LOC (10) Cl.** ..... **26-02**

(52) **U.S. Cl.**  
USPC ..... **D26/49**

(58) **Field of Classification Search**

USPC ..... D26/37, 40, 41, 44, 46, 49; 362/157, 362/158, 183, 184, 194-196, 200-208  
CPC ..... F21V 33/00; F21V 14/025; F21V 21/406; F21Y 2101/02; F21L 2003/00; F21L 2005/00; F21L 2/00; F21L 4/00; F21L 4/005; F21L 17/00; F21L 13/08

See application file for complete search history.

(56) **References Cited**

**U.S. PATENT DOCUMENTS**

D367,123 S \* 2/1996 Blye ..... D26/42  
D439,354 S \* 3/2001 Yuen ..... D26/42

D441,888 S \* 5/2001 Haneda et al. .... D26/42  
D504,968 S \* 5/2005 Bayat et al. .... D26/42  
D505,217 S \* 5/2005 Bayat et al. .... D26/42  
6,979,100 B2 \* 12/2005 Reiff et al. .... 362/184  
D523,577 S \* 6/2006 Bayat et al. .... D26/42  
D538,457 S \* 3/2007 Kovacik et al. .... D26/42  
D540,484 S \* 4/2007 Bayat et al. .... D26/42  
D567,978 S \* 4/2008 Jianwei ..... D26/42  
D597,690 S \* 8/2009 Yamamoto ..... D26/37  
D620,627 S \* 7/2010 Kovacik et al. .... D26/42  
D655,431 S \* 3/2012 Leen ..... D26/42  
D689,640 S \* 9/2013 Leen ..... D26/44  
D691,310 S \* 10/2013 Zhou et al. .... D26/37  
D698,056 S \* 1/2014 Forbes et al. .... D26/49  
D698,959 S \* 2/2014 Shen ..... D26/46  
D711,573 S \* 8/2014 Payne ..... D26/42

\* cited by examiner

*Primary Examiner* — Ian Simmons

*Assistant Examiner* — Carissa C Fitts

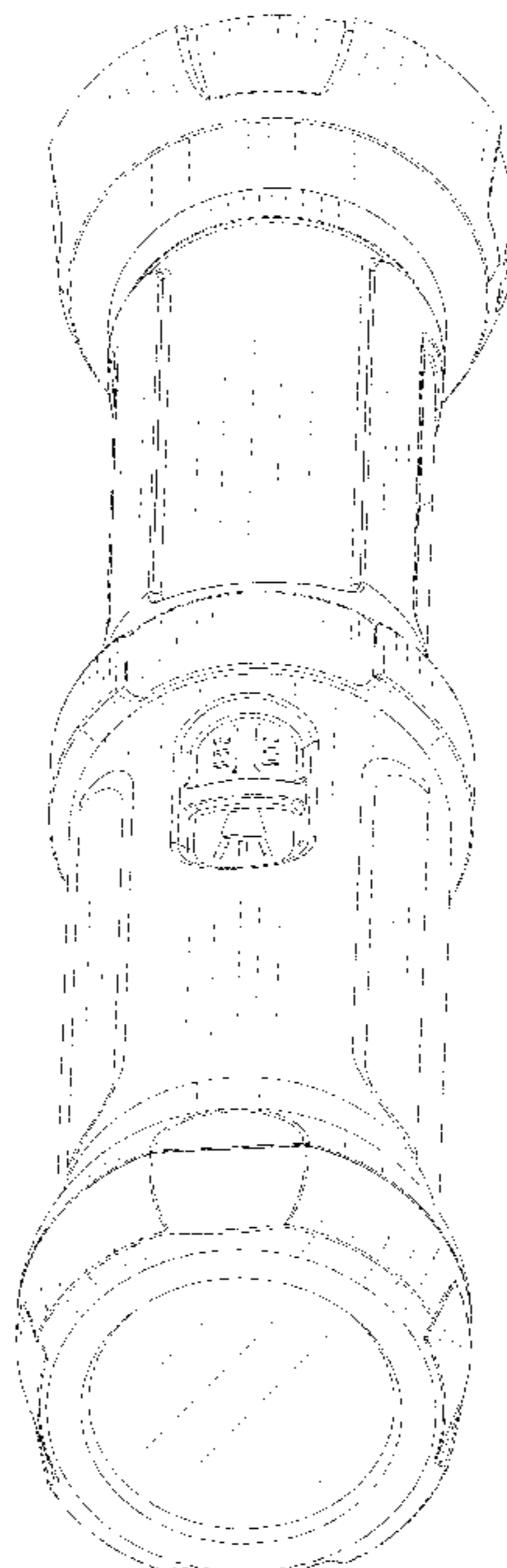
(57) **CLAIM**

The ornamental design for an LED work light, as shown and described.

**DESCRIPTION**

FIG. 1 is a front elevation view of an LED work light of my new design;  
FIG. 2 is a rear elevation view thereof;  
FIG. 3 is a left side view thereof;  
FIG. 4 is a right side view thereof;  
FIG. 5 is a top plan view thereof;  
FIG. 6 is a bottom plan view thereof; and,  
FIG. 7 is a perspective view thereof.  
The broken lines shown represent portions of the design that form no part of of the claim.

**1 Claim, 6 Drawing Sheets**



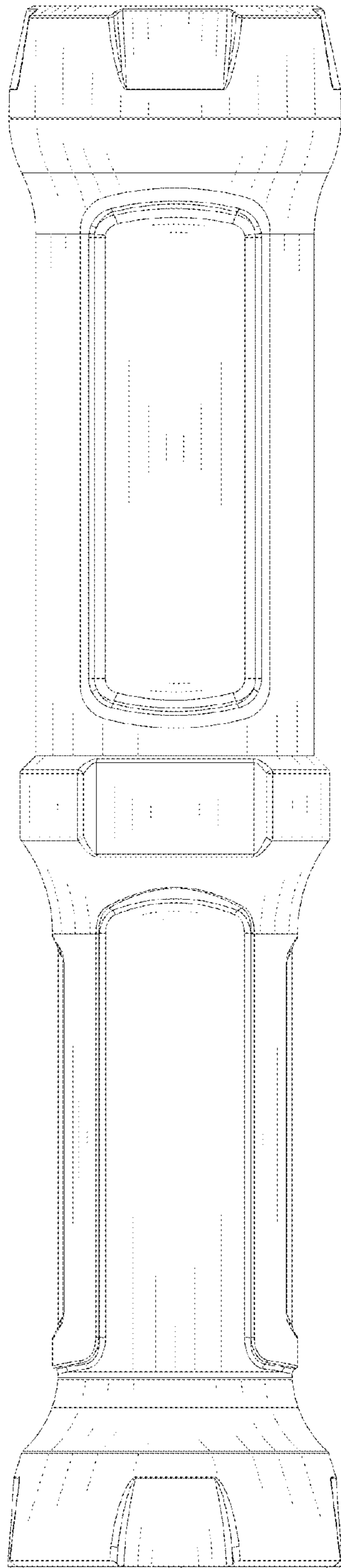


FIG. 1

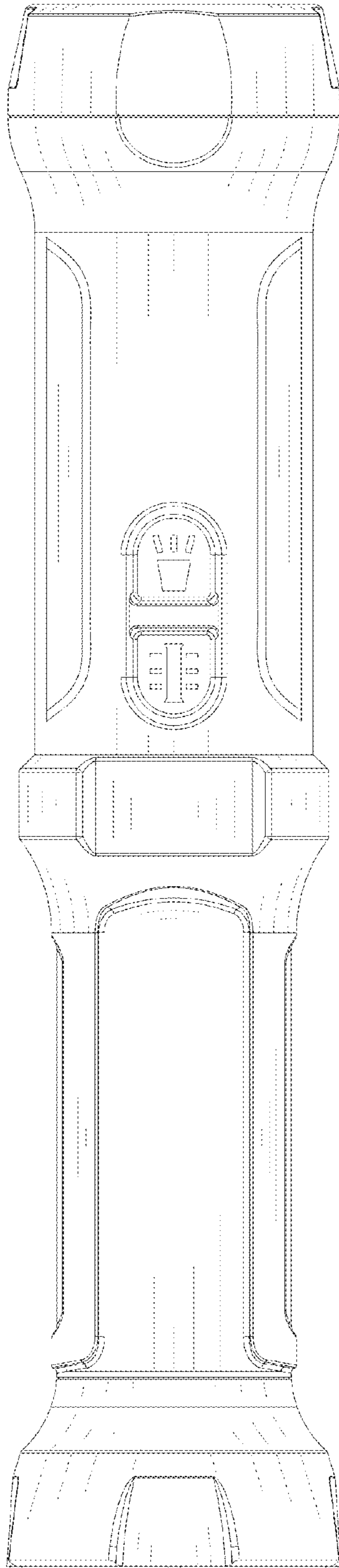


FIG. 2

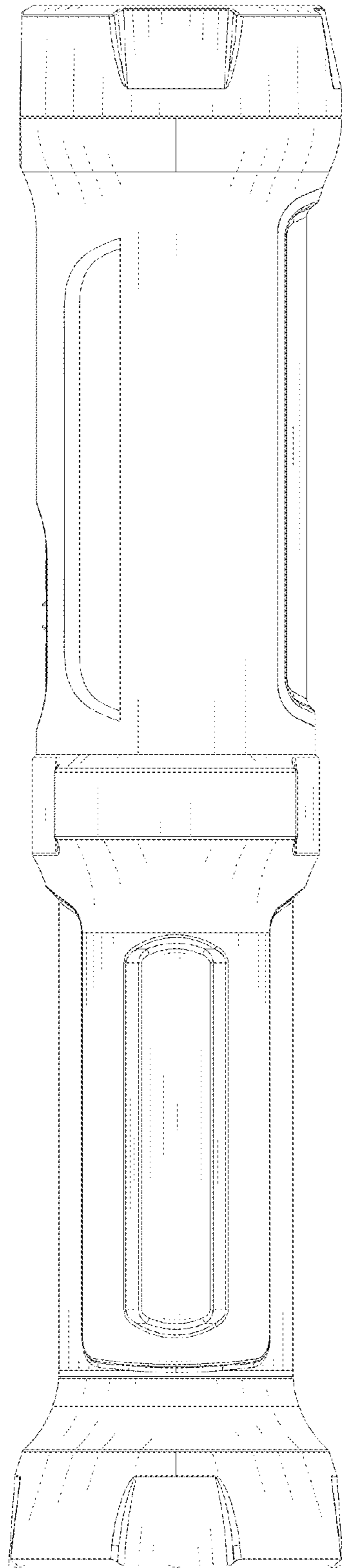


FIG. 3

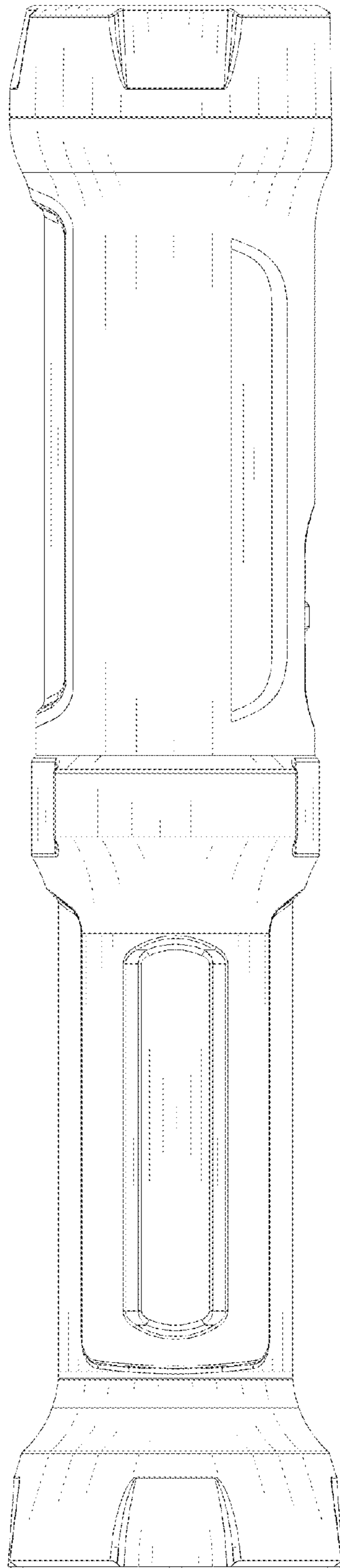


FIG. 4

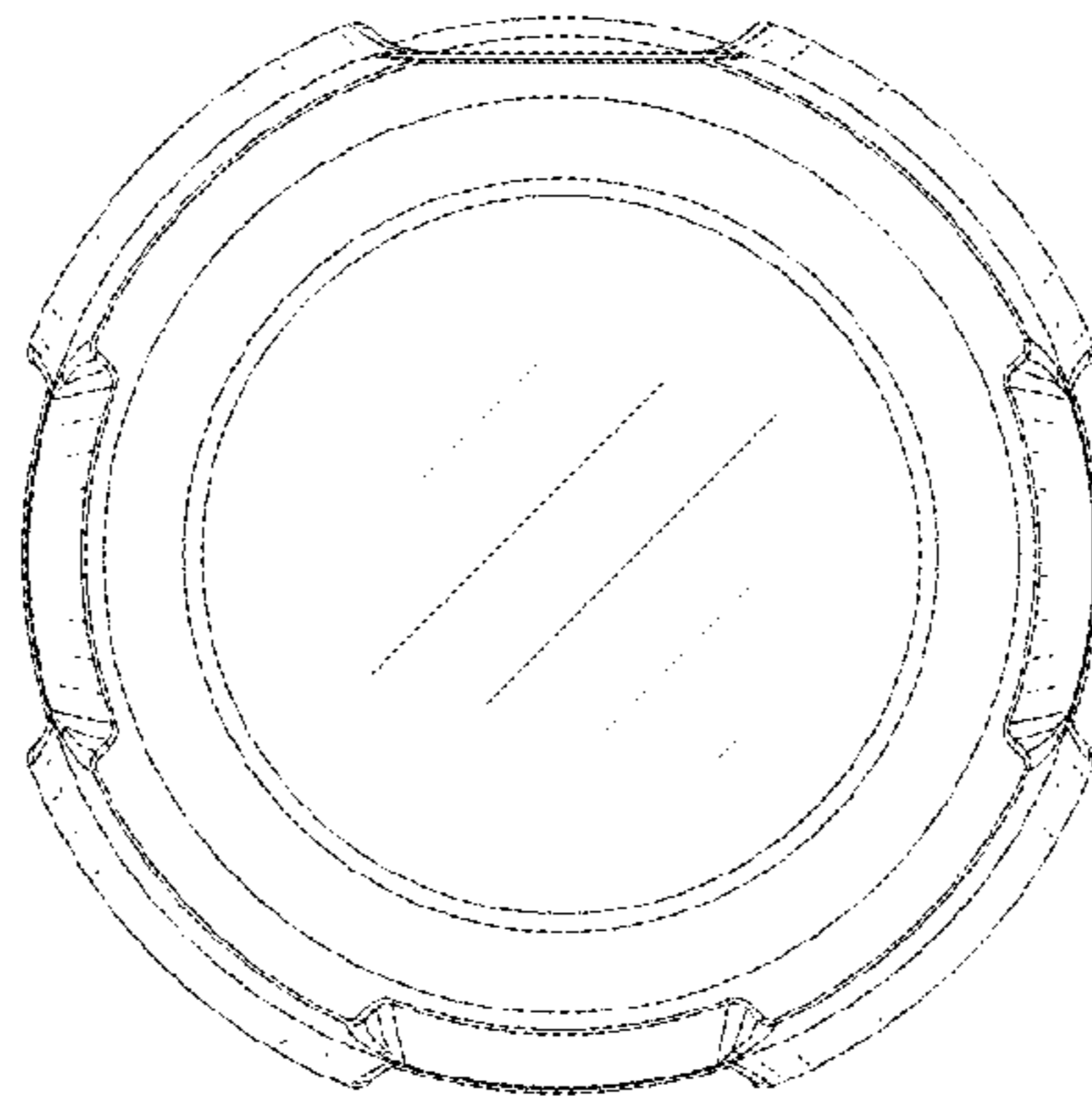


FIG. 5

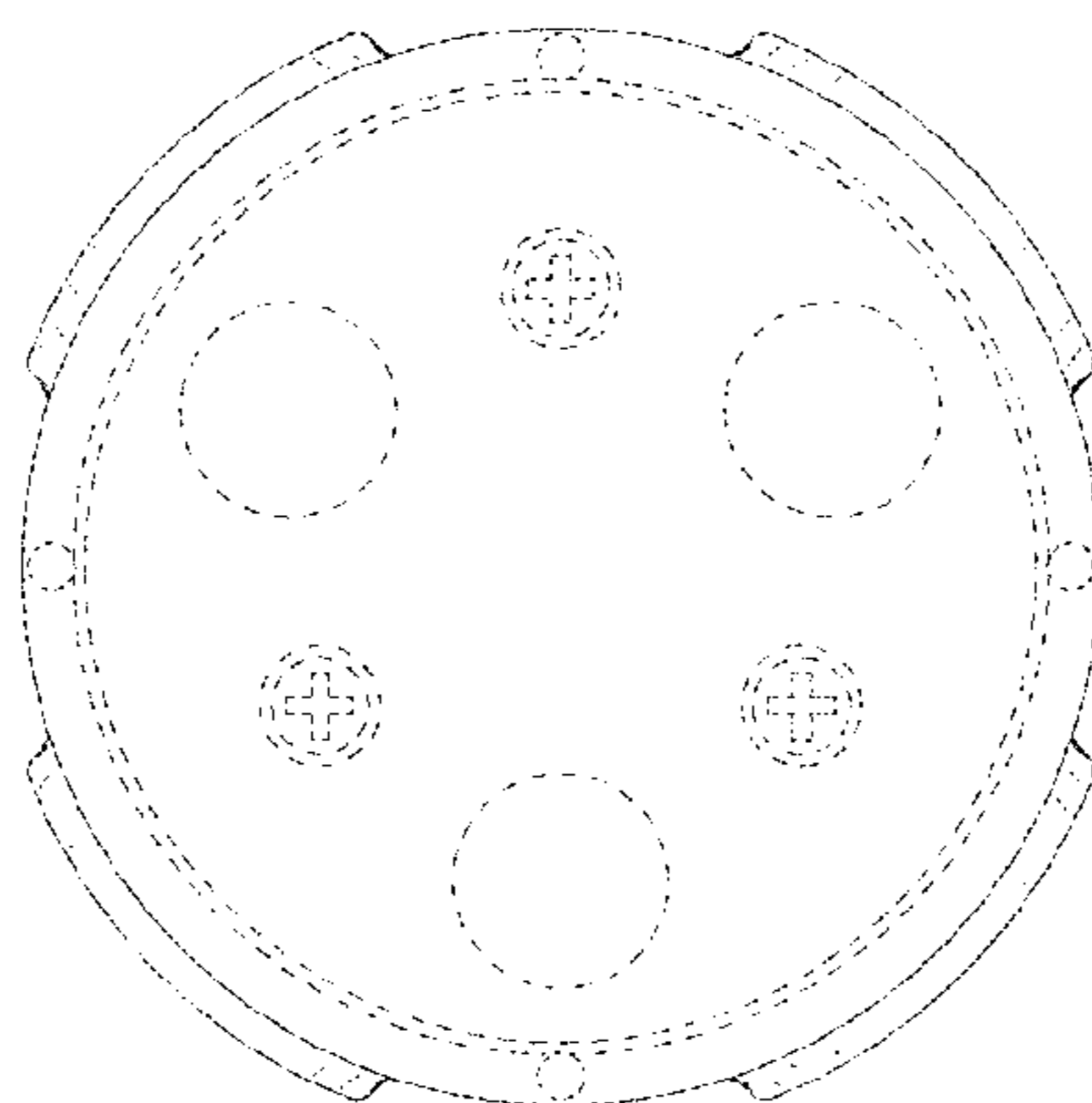


FIG. 6

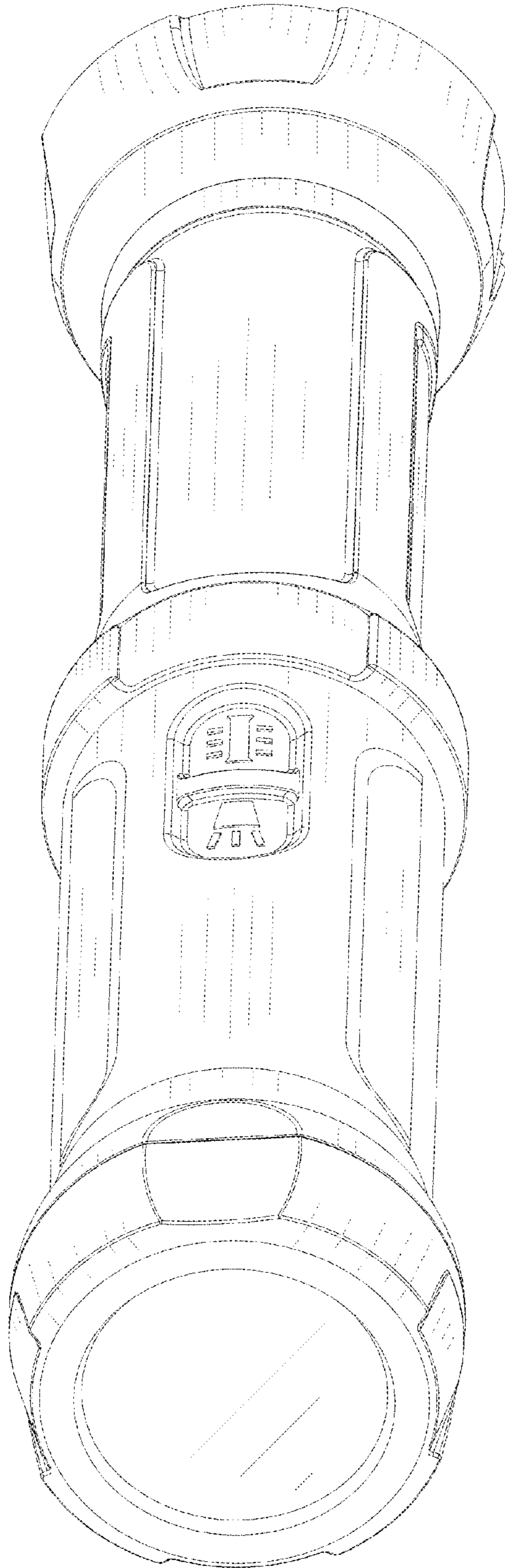


FIG. 7