

US00D734518S

(12) **United States Design Patent**
Zimmermann

(10) **Patent No.:** **US D734,518 S**

(45) **Date of Patent:** **** Jul. 14, 2015**

(54) **LIGHT**

(71) Applicant: **Curli GmbH**, Holzhausen (CH)

(72) Inventor: **Mark Zimmermann**, Holzhausen (CH)

(73) Assignee: **Curli GmbH** (CH)

(**) Term: **14 Years**

(21) Appl. No.: **29/475,436**

(22) Filed: **Dec. 3, 2013**

(30) **Foreign Application Priority Data**

Jul. 26, 2013 (CH) WIPO32634

(51) **LOC (10) Cl.** **26-02**

(52) **U.S. Cl.**
USPC **D26/39**

(58) **Field of Classification Search**
USPC D26/37, 38, 44, 46, 39; 362/157, 158,
362/183, 184, 194–196, 200–208, 253, 103,
362/105, 106
See application file for complete search history.

(56) **References Cited**

U.S. PATENT DOCUMENTS

D491,680 S * 6/2004 Okuda et al. D26/39
D492,052 S * 6/2004 Schnell D26/39
6,877,875 B2 * 4/2005 Yu et al. 362/105

D532,537 S * 11/2006 Shiu D26/39
D533,954 S * 12/2006 Opolka D26/39
D578,686 S * 10/2008 Dalton D26/37
D605,319 S * 12/2009 Devaney et al. D26/39
D617,925 S * 6/2010 Coushaine et al. D26/37
D617,930 S * 6/2010 Chen D26/63
7,857,478 B1 * 12/2010 Keller 362/103
D636,104 S * 4/2011 Chang D26/39
D662,239 S * 6/2012 Szymanski D26/39
D674,944 S * 1/2013 Bertken D26/39
D682,451 S * 5/2013 Hardy D26/60
8,449,132 B2 * 5/2013 Lau 362/105
D699,380 S * 2/2014 Weaver D26/39

* cited by examiner

Primary Examiner — Ian Simmons

Assistant Examiner — Carissa C Fitts

(74) *Attorney, Agent, or Firm* — Dority & Manning, P.A.

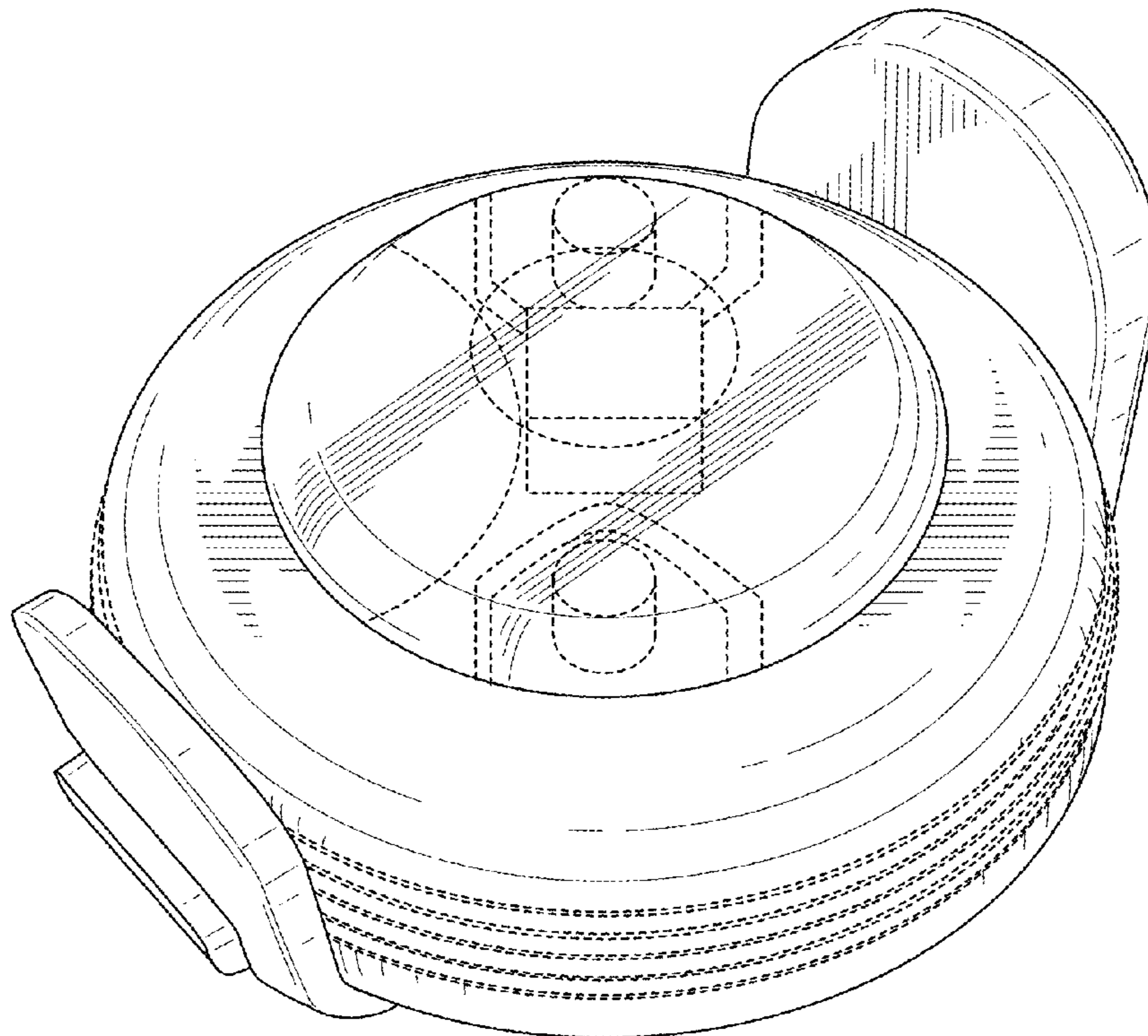
(57) **CLAIM**

The ornamental design for a light, as shown and described.

DESCRIPTION

FIG. 1 is a front top perspective view of the light according to the present invention;
FIG. 2 is a front plan view of the light illustrated in FIG. 1;
FIG. 3 is a rear plan view of the light illustrated in FIG. 1;
FIG. 4 is a top plan view of the light illustrated in FIG. 1;
FIG. 5 is a bottom plan view of the light illustrated in FIG. 1;
FIG. 6 is a left side plan view of the light illustrated in FIG. 1;
and,
FIG. 7 is a right plan view of the light illustrated in FIG. 1.

1 Claim, 5 Drawing Sheets



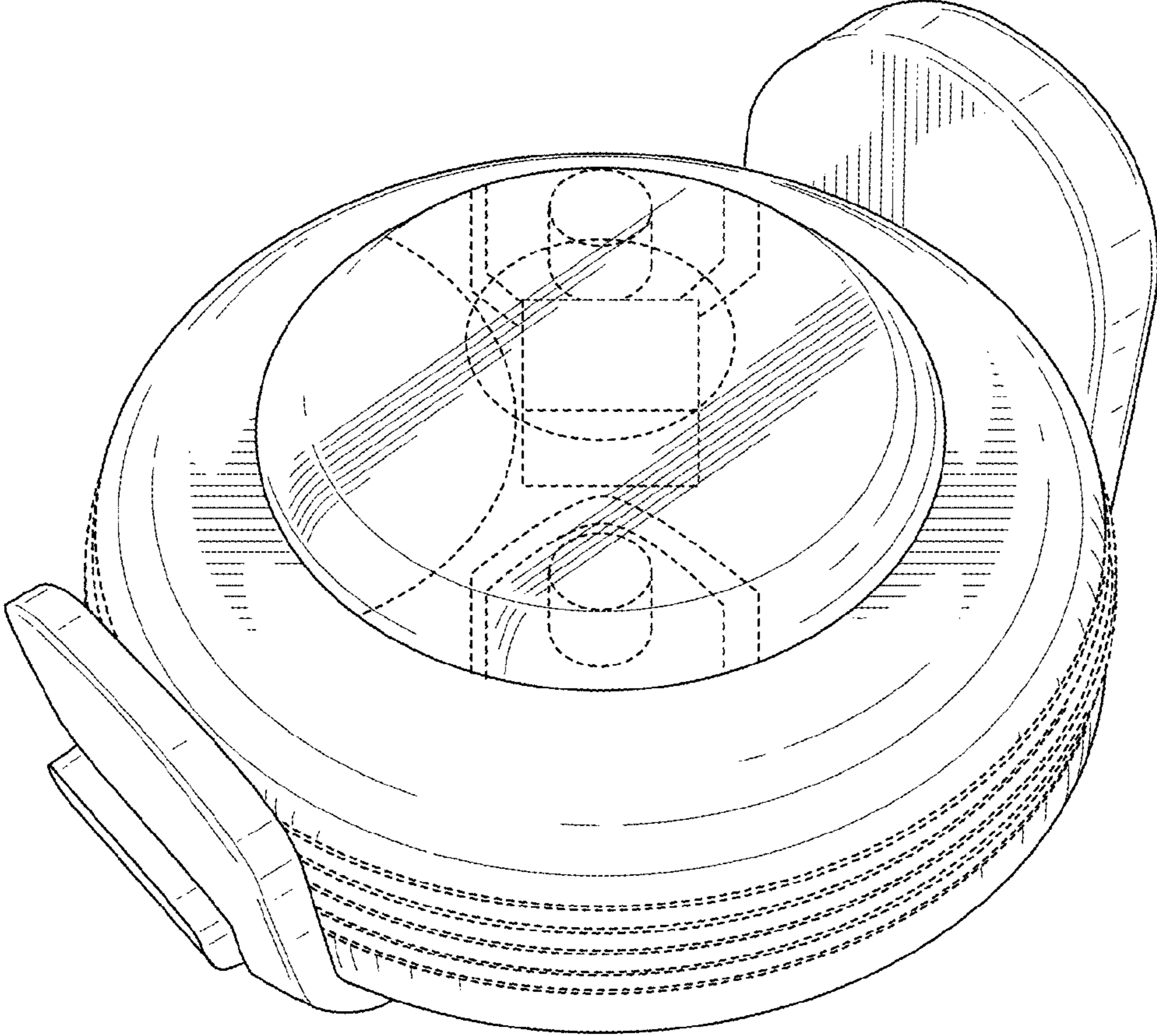


FIG. 1

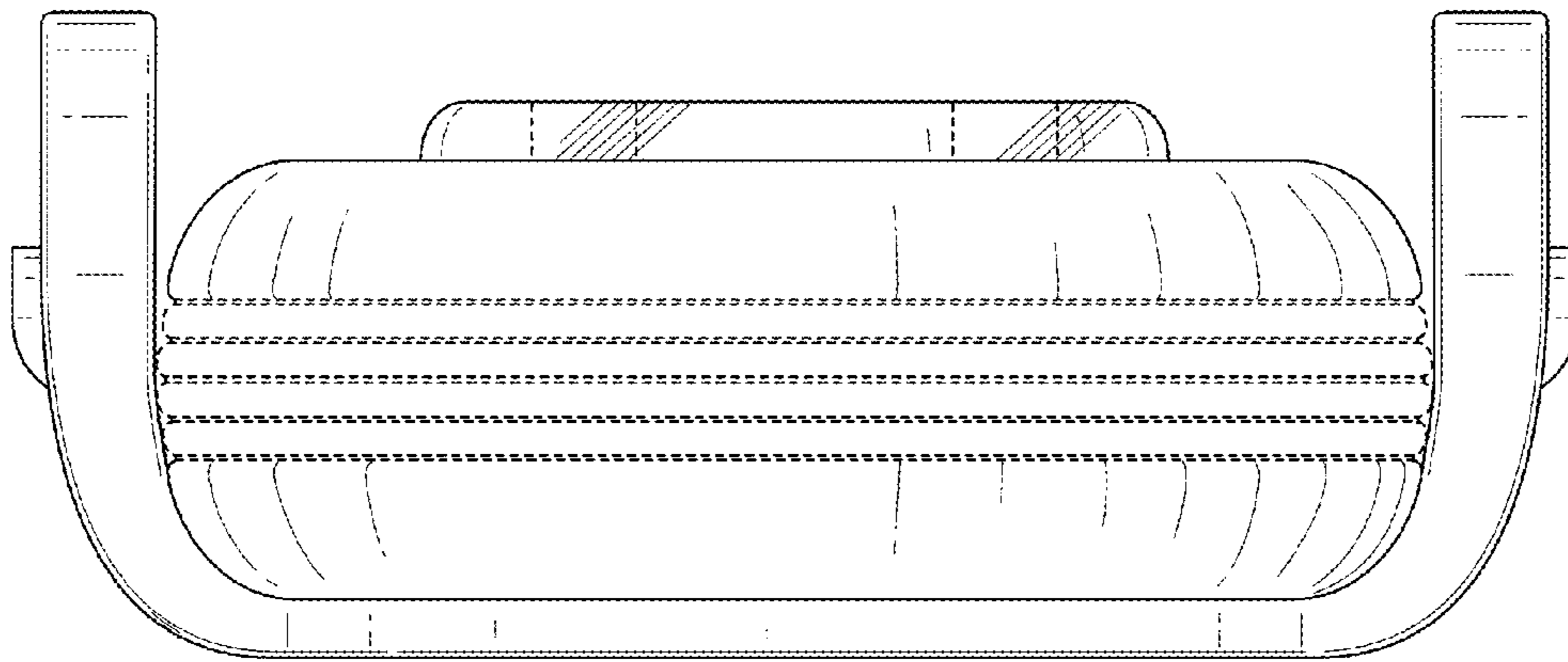


FIG. 2

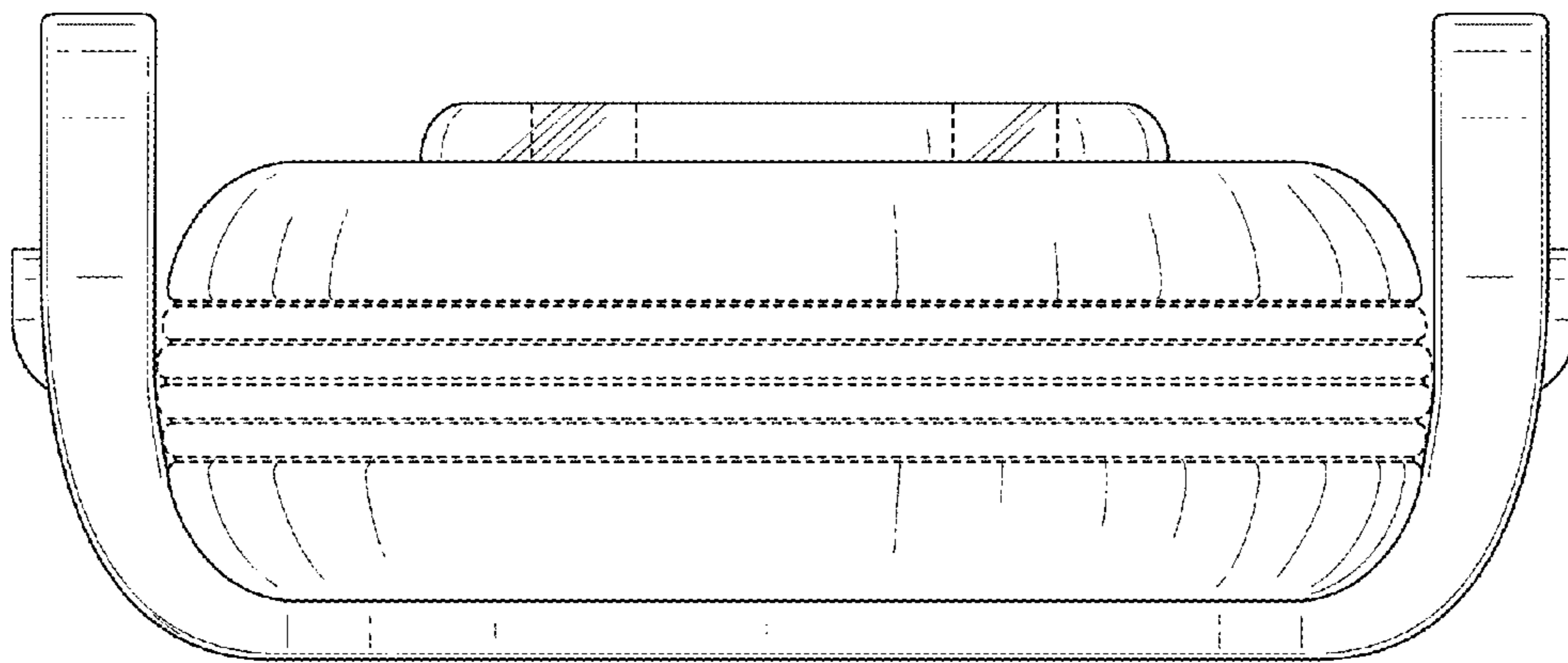


FIG. 3

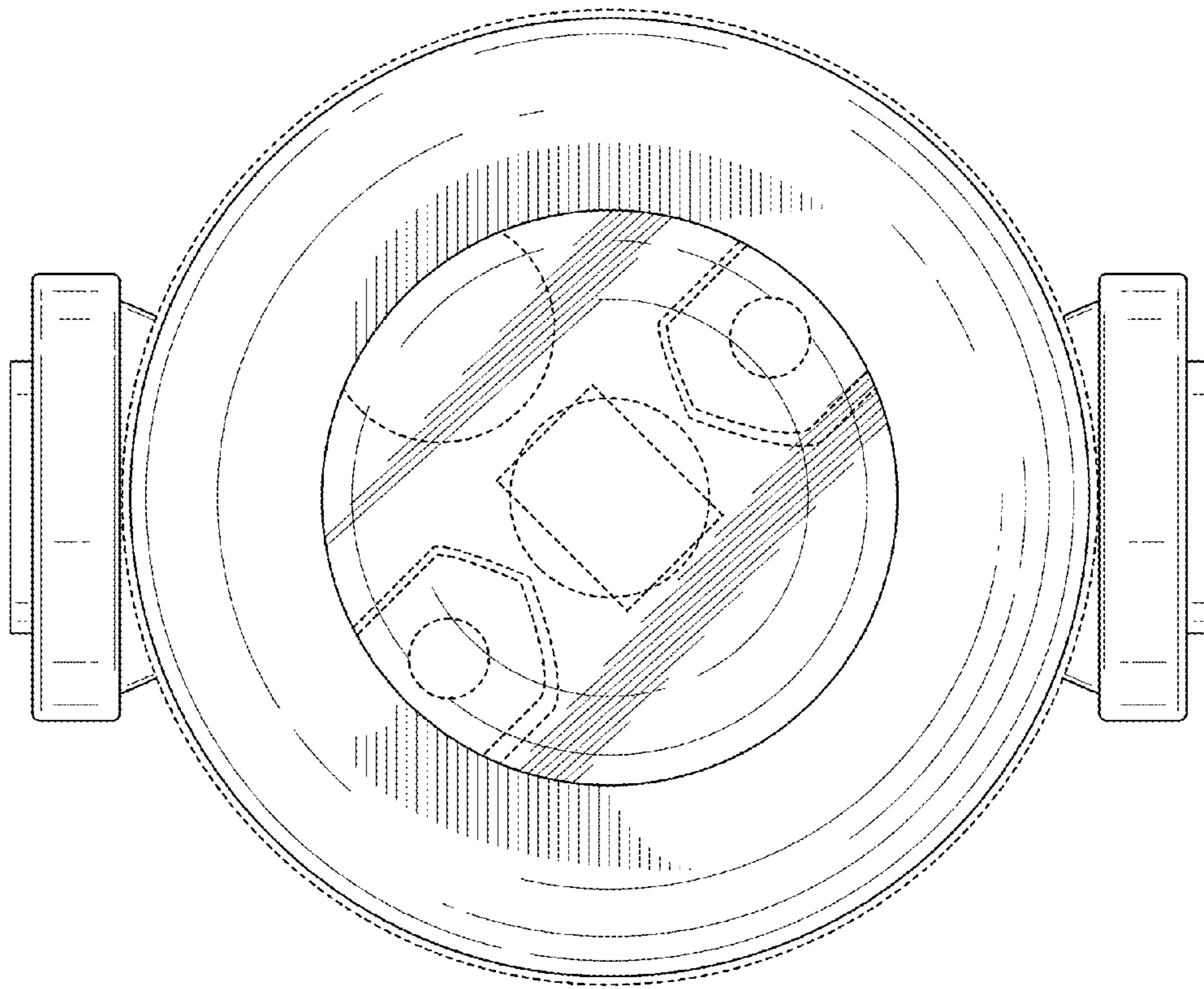


FIG. 4

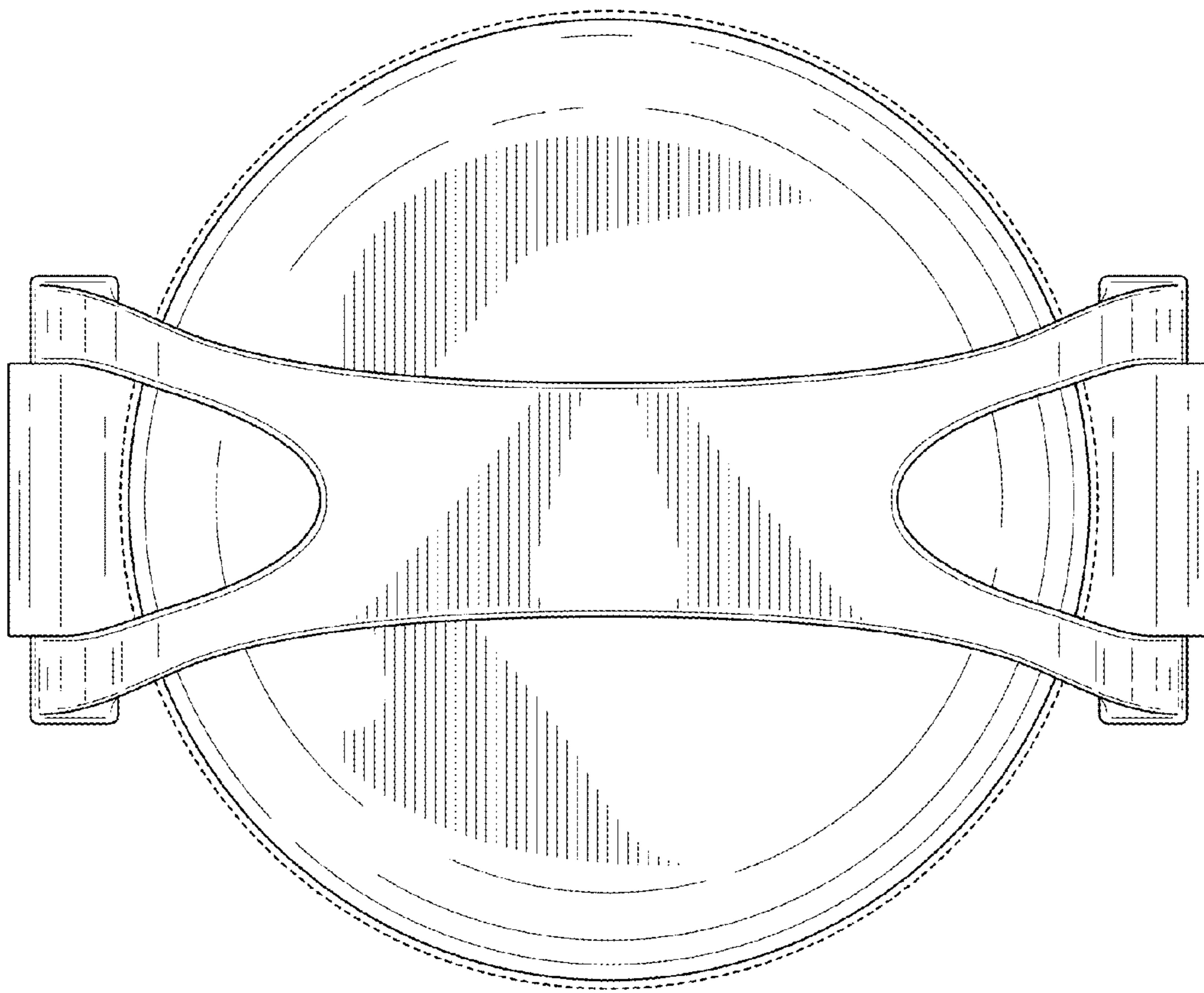


FIG. 5

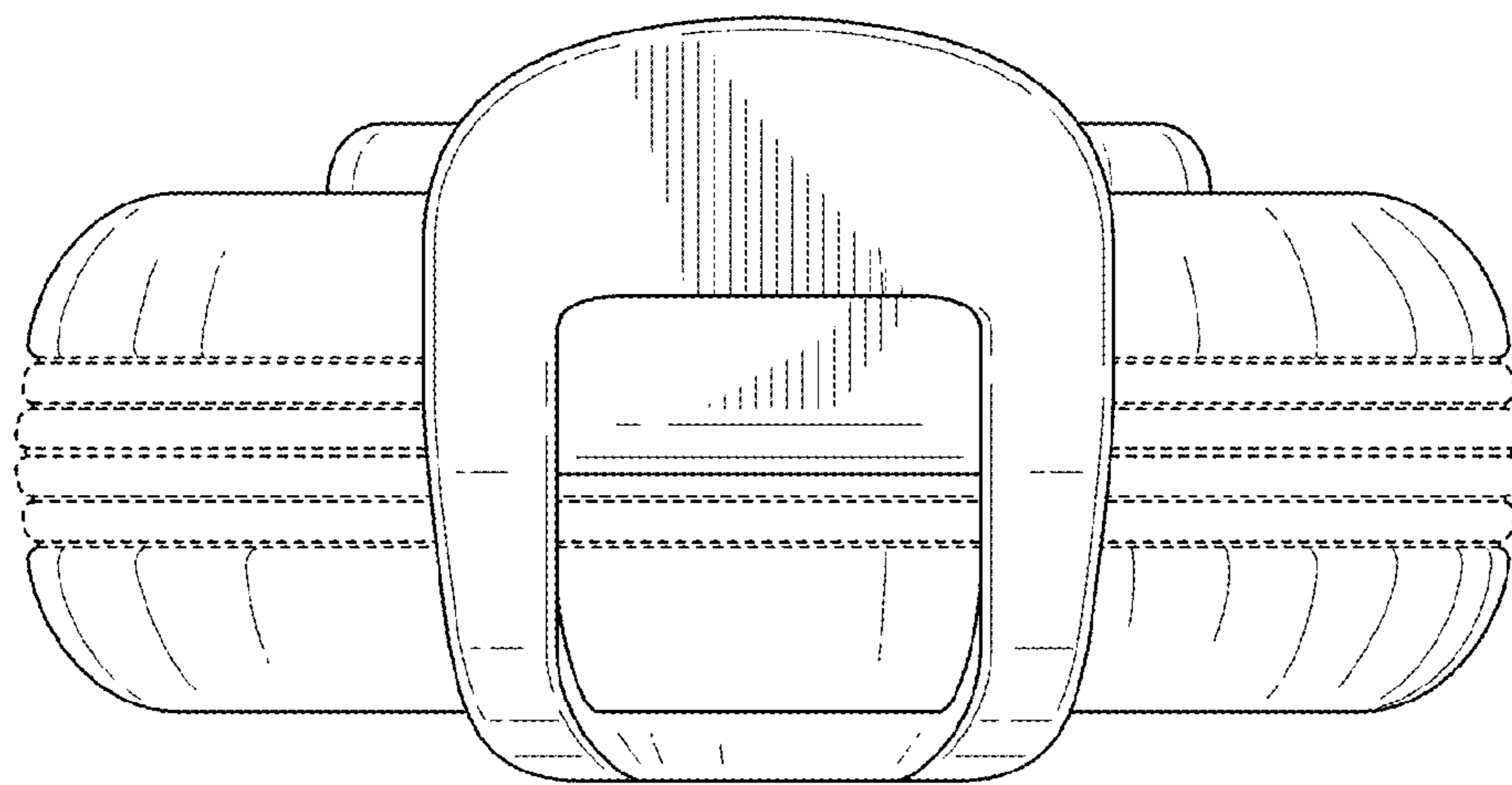


FIG. 6

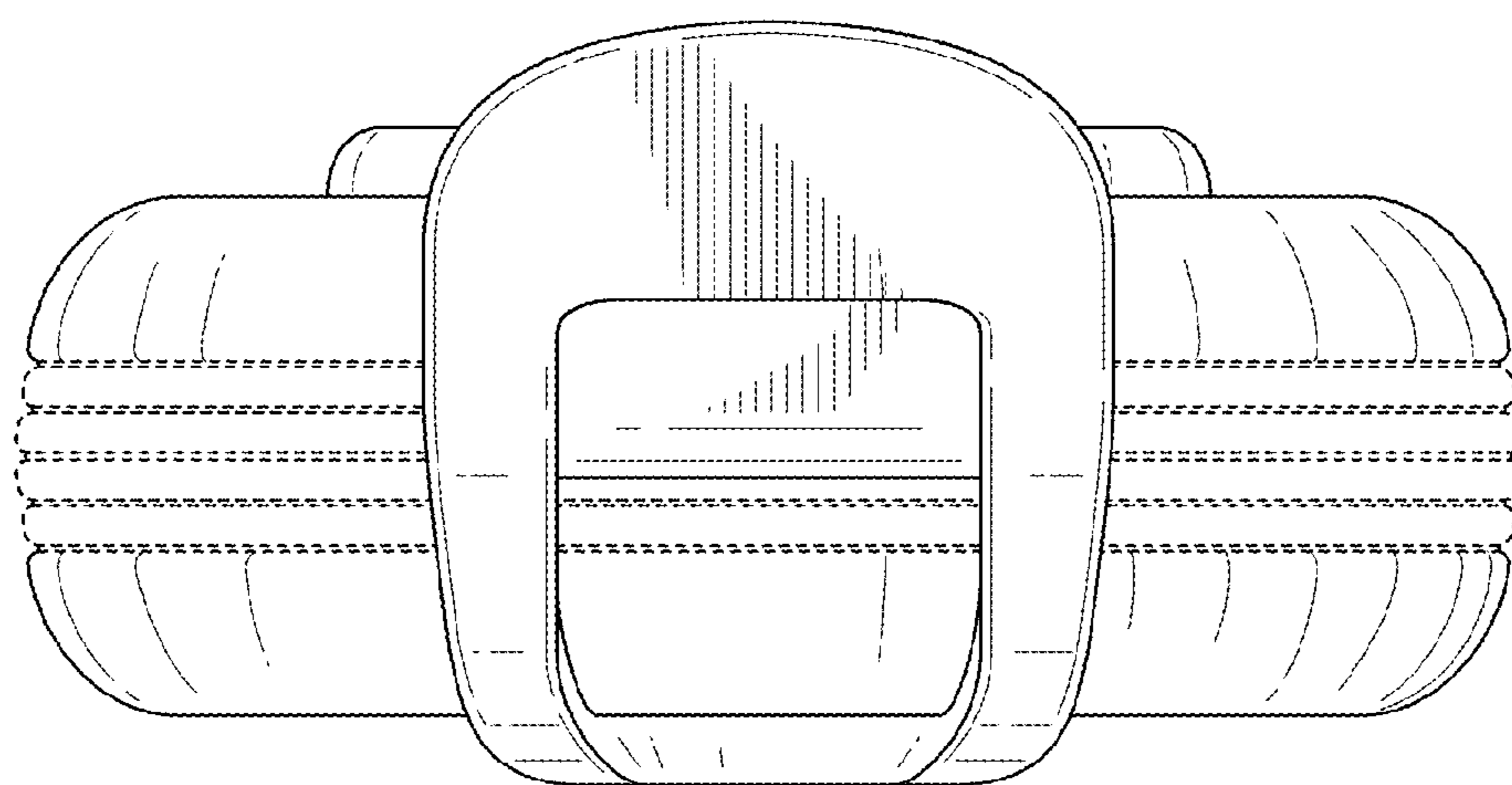


FIG. 7