



US00D734517S

(12) **United States Design Patent**
Rigolio

(10) **Patent No.:** **US D734,517 S**
(45) **Date of Patent:** **** Jul. 14, 2015**

(54) **MOTORCYCLE INDICATOR LIGHT**

(71) Applicant: **Fabrizio Rigolio**, Lonate Pozzolo VA
(IT)

(72) Inventor: **Fabrizio Rigolio**, Lonate Pozzolo VA
(IT)

(73) Assignee: **Rizoma IP S.r.l.**, Lonate Pozzolo VA
(IT)

(**) Term: **14 Years**

(21) Appl. No.: **29/490,891**

(22) Filed: **May 15, 2014**

(30) **Foreign Application Priority Data**

Nov. 15, 2013 (EM) 002346445-0001

(51) **LOC (10) CL.** **26-06**

(52) **U.S. Cl.**
USPC **D26/28**

(58) **Field of Classification Search**
USPC D26/24, 26, 28, 30-31, 36; 362/459,
362/473, 475, 478, 485, 516, 540, 542
CPC A63C 2203/14; B62J 6/00; B62J 6/02;
B61L 15/02; B60Q 1/34; B60Q 1/305; F21S
48/1388

See application file for complete search history.

(56) **References Cited**

U.S. PATENT DOCUMENTS

D322,862 S * 12/1991 Miller D26/63
D346,232 S * 4/1994 Falkensson et al. D26/28
D370,275 S * 5/1996 Schroeder D26/28
5,820,254 A * 10/1998 Duenas 362/473

D422,722 S * 4/2000 Reed D26/28
D427,696 S * 7/2000 Scott et al. D26/28
D440,330 S * 4/2001 Scott et al. D26/28
6,326,888 B1 * 12/2001 Wang 340/463
D458,396 S * 6/2002 Grove D26/28
D463,048 S * 9/2002 Scott et al. D26/28
D493,900 S * 8/2004 Jacobs D26/28
D501,939 S * 2/2005 Jacobs et al. D26/28
D523,571 S * 6/2006 Sugimoto D26/28

OTHER PUBLICATIONS

“Rizoma—2014 Catalogue.” rizoma.com—pp. 62-63., Jan. 13, 2014
[online], [retrieved on Nov. 8, 2014]. Retrieved from the Internet
<URL: http://www.rizoma.com/webobjrizoma/CATALOG/CAT_2014/RIZOMA_CATALOGUE2014_WEB_EN.pdf>.*

* cited by examiner

Primary Examiner — Philip S Hyder

Assistant Examiner — Darlington Ly

(74) *Attorney, Agent, or Firm* — Bay State IP, LLC

(57) **CLAIM**

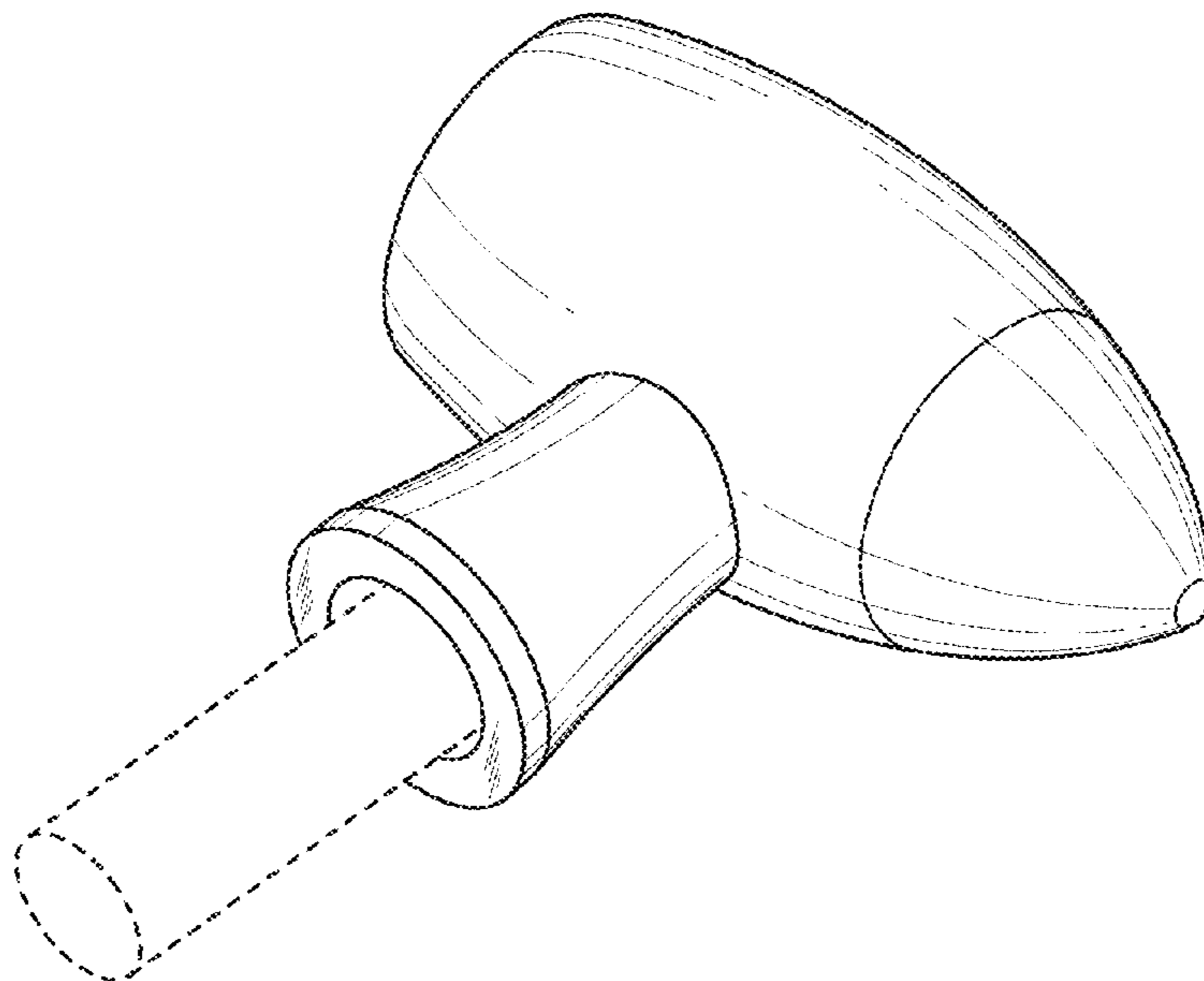
I claim the ornamental design for an motorcycle indicator light, as shown and described.

DESCRIPTION

FIG. 1 is a side view showing my new design;
FIG. 2 is a front view thereof;
FIG. 3 is a perspective view thereof; and,
FIG. 4 is an opposing side perspective view thereof.
The broken lines showing an extension of the motorcycle indicator light in FIGS. 1-4 have been shown for the purpose of illustrating environment that forms no part of the claimed design.

The broken lines showing the arc shaped surface in FIG. 1 forms no part of the claimed design.

1 Claim, 2 Drawing Sheets



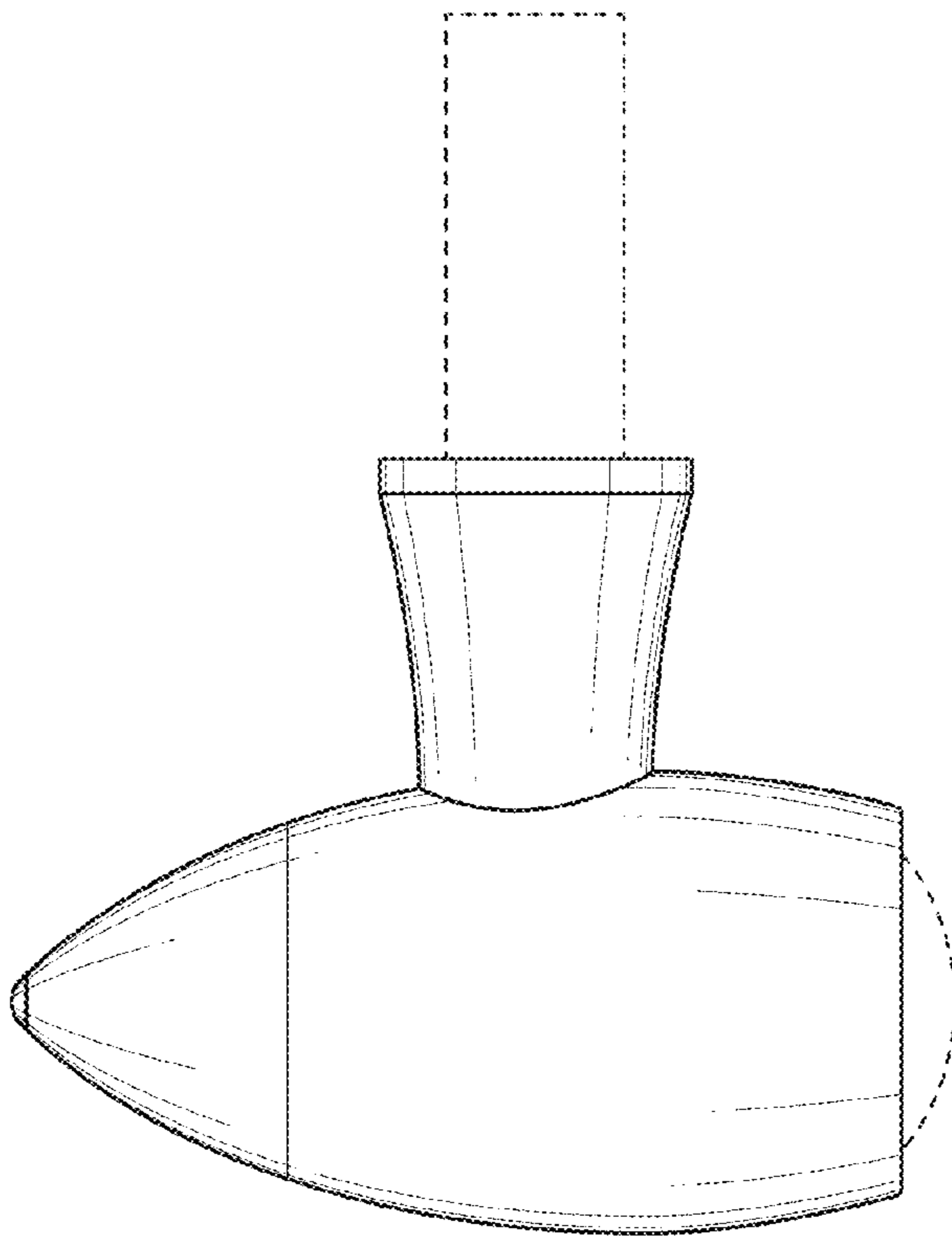


Fig. 1

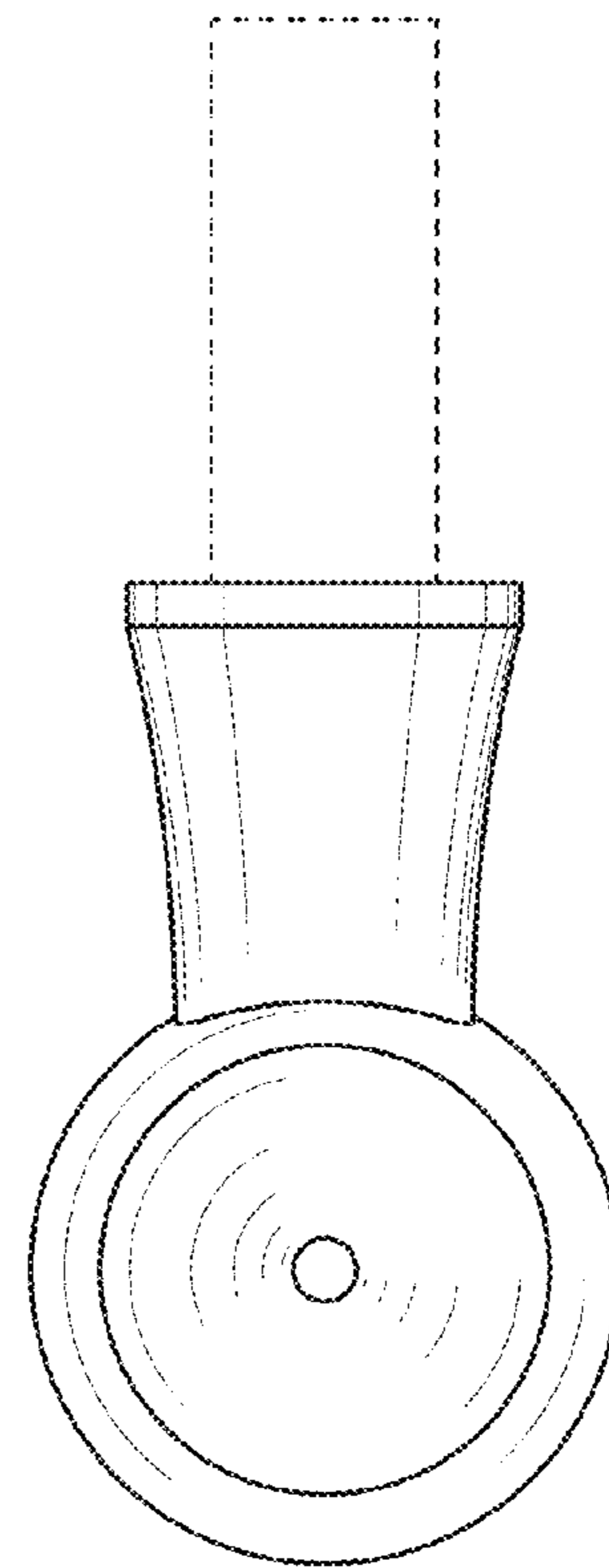


Fig. 2

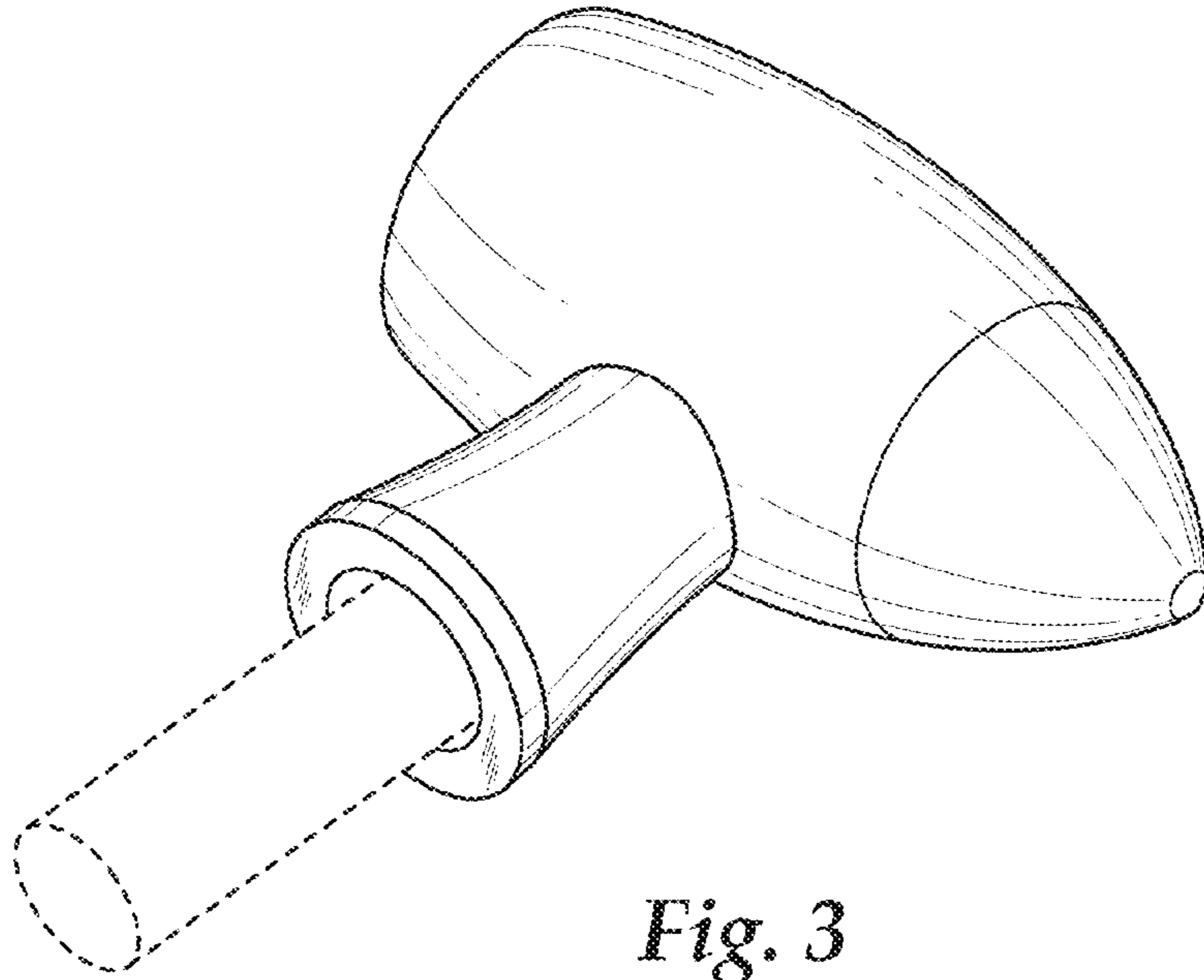


Fig. 3

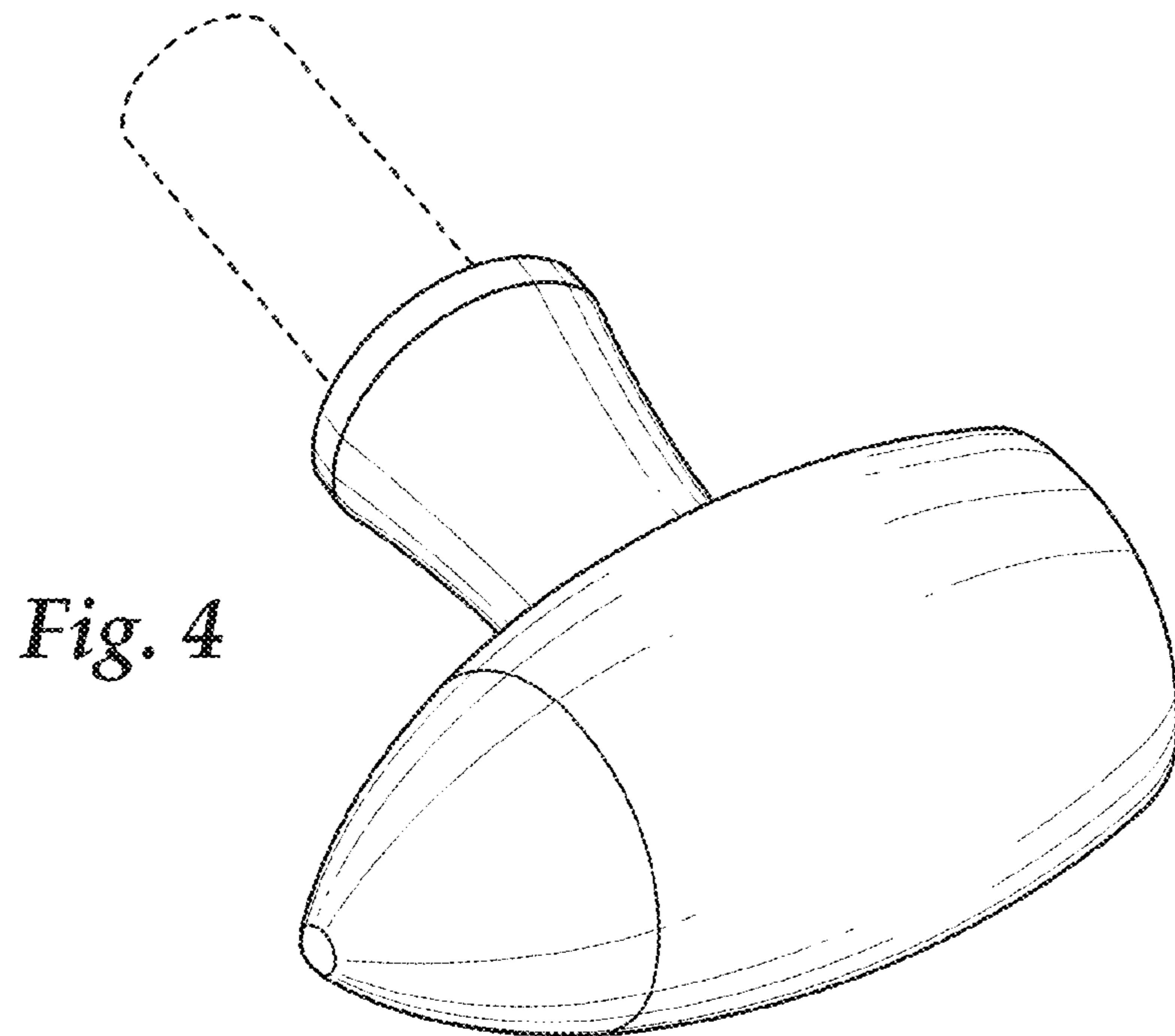


Fig. 4