



US00D734513S

(12) **United States Design Patent**
Brown et al.

(10) **Patent No.:** **US D734,513 S**
(45) **Date of Patent:** **** Jul. 14, 2015**

(54) **FOOTBALL SHAPED CANDLE HOLDER**

2005/0207155 A1* 9/2005 Jian 362/234

* cited by examiner

(71) Applicants: **Stan Brown**, Bradenton, FL (US); **Ruth Brown**, Bradenton, FL (US)

Primary Examiner — T. Chase Nelson

Assistant Examiner — Ania Aman

(72) Inventors: **Stan Brown**, Bradenton, FL (US); **Ruth Brown**, Bradenton, FL (US)

(74) *Attorney, Agent, or Firm* — Gifford, Krass, Sprinkle, Anderson & Citkowski, P.C.; Thomas E. Anderson

(**) Term: **14 Years**

(57) **CLAIM**

The ornamental design for a football shaped candle holder, as shown and described.

(21) Appl. No.: **29/479,746**

DESCRIPTION

(22) Filed: **Jan. 20, 2014**

(51) **LOC (10) Cl.** **26-01**

(52) **U.S. Cl.**
USPC **D26/16**

(58) **Field of Classification Search**
USPC D26/22, 9, 1, 19, 20, 52, 6, 10, 11, 12,
D26/13, 14, 15, 16, 7, 23, 96, 101, 102,
D26/116; 431/589, 290–295, 288, 125, 126,
431/366, 369; 392/418, 390, 403–406
See application file for complete search history.

FIG. 1 is a top perspective view of a football shaped candle holder in a closed position;
FIG. 2 is a front elevation view of the football shaped candle holder in the closed position;
FIG. 3 is a top plan view of the football shaped candle holder in the closed position;
FIG. 4 is a side elevation view of the football shaped candle holder in the closed position;
FIG. 5 is a top perspective view of the football shaped candle holder in an open position;
FIG. 6 is a side elevation view of the football shaped candle holder in the open position; and,
FIG. 7 is a top plan view of the football shaped candle holder in the open position.

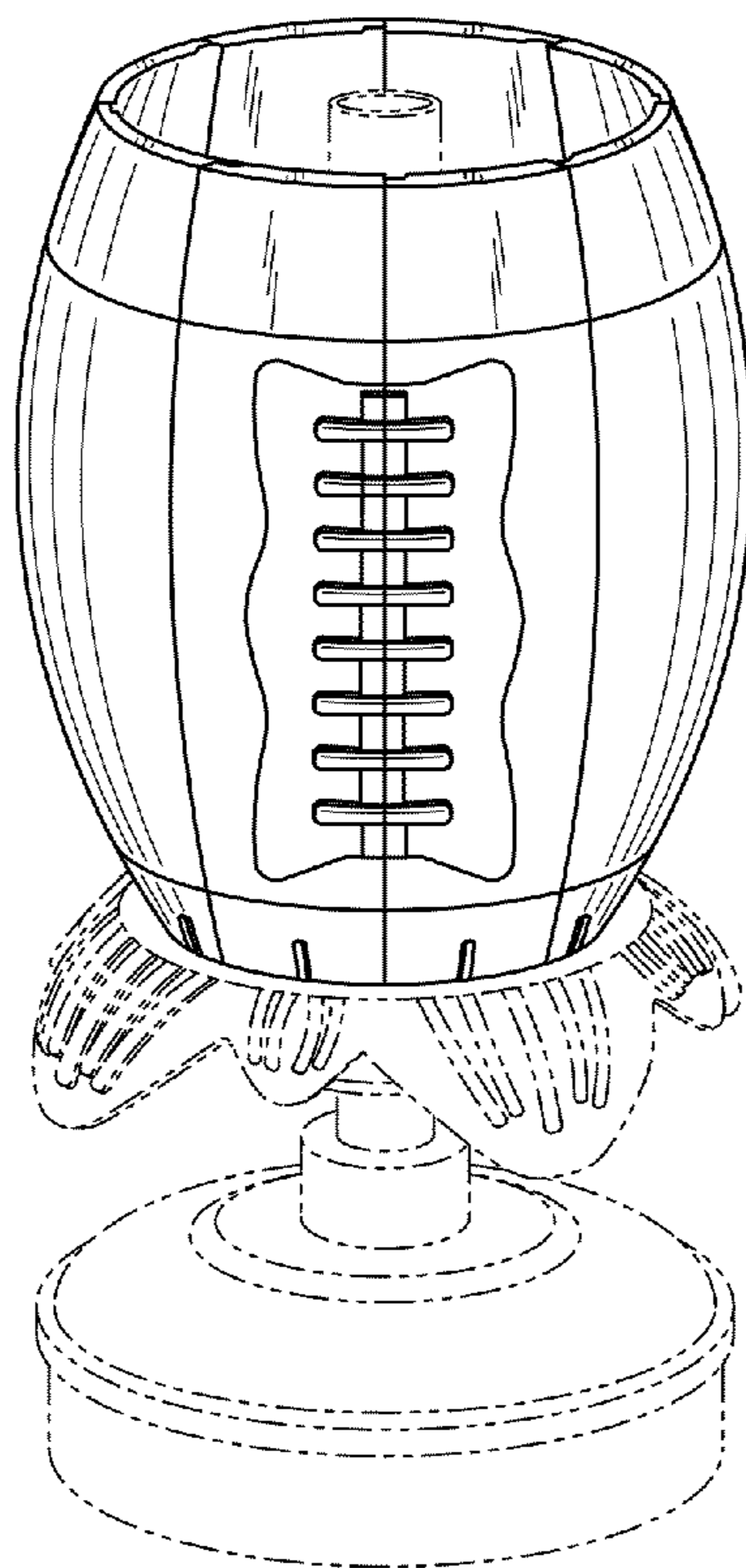
The broken line shown in the drawings are for the purpose of illustrating portions of the article that form no part of the claimed design.

(56) **References Cited**

U.S. PATENT DOCUMENTS

D229,328 S *	11/1973	Schley	D7/507
5,662,241 A *	9/1997	Sorensen	220/630
D589,177 S *	3/2009	Langley	D26/8
D713,688 S *	9/2014	Thomas	D7/515

1 Claim, 3 Drawing Sheets



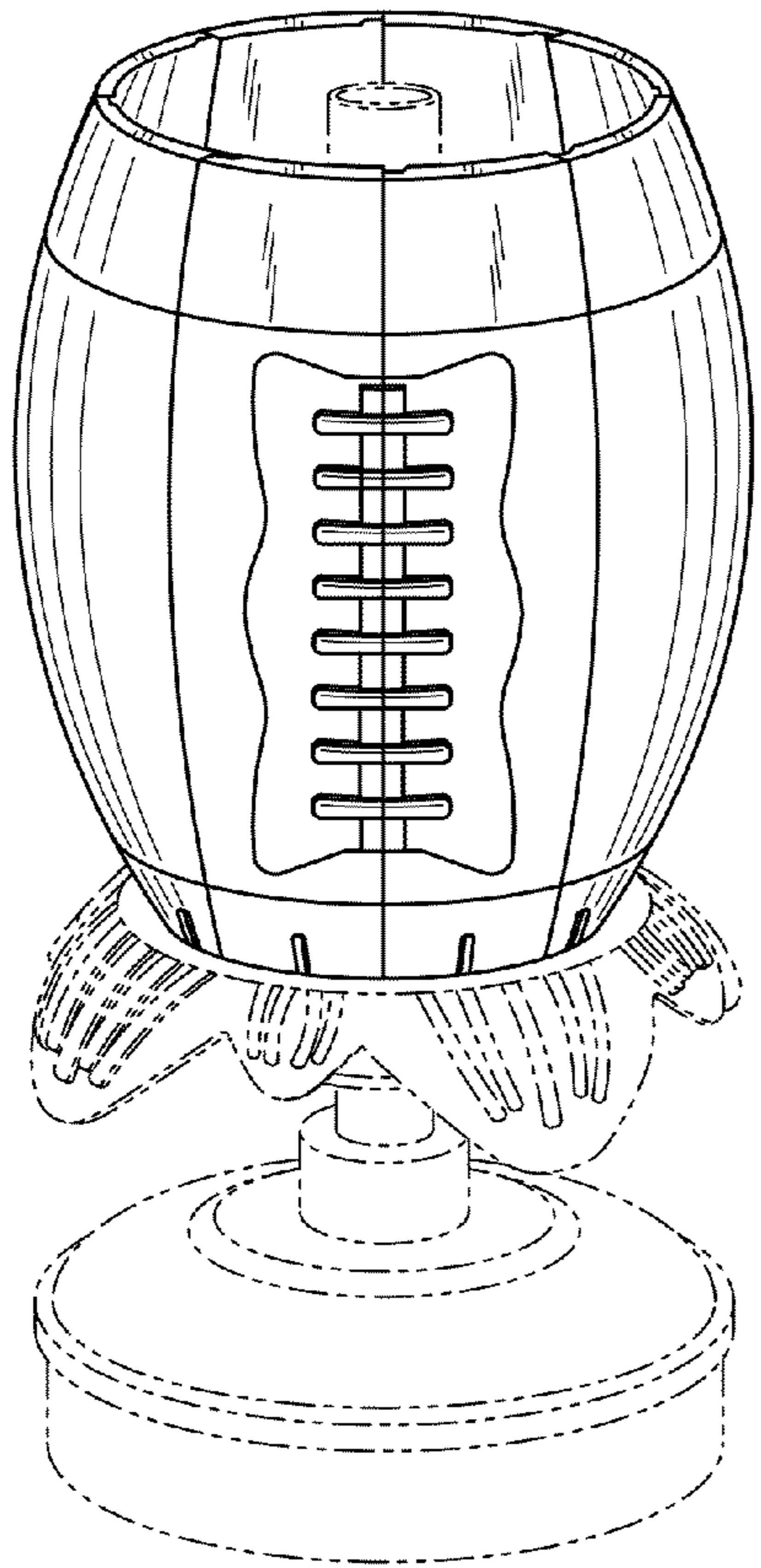


FIG. 1

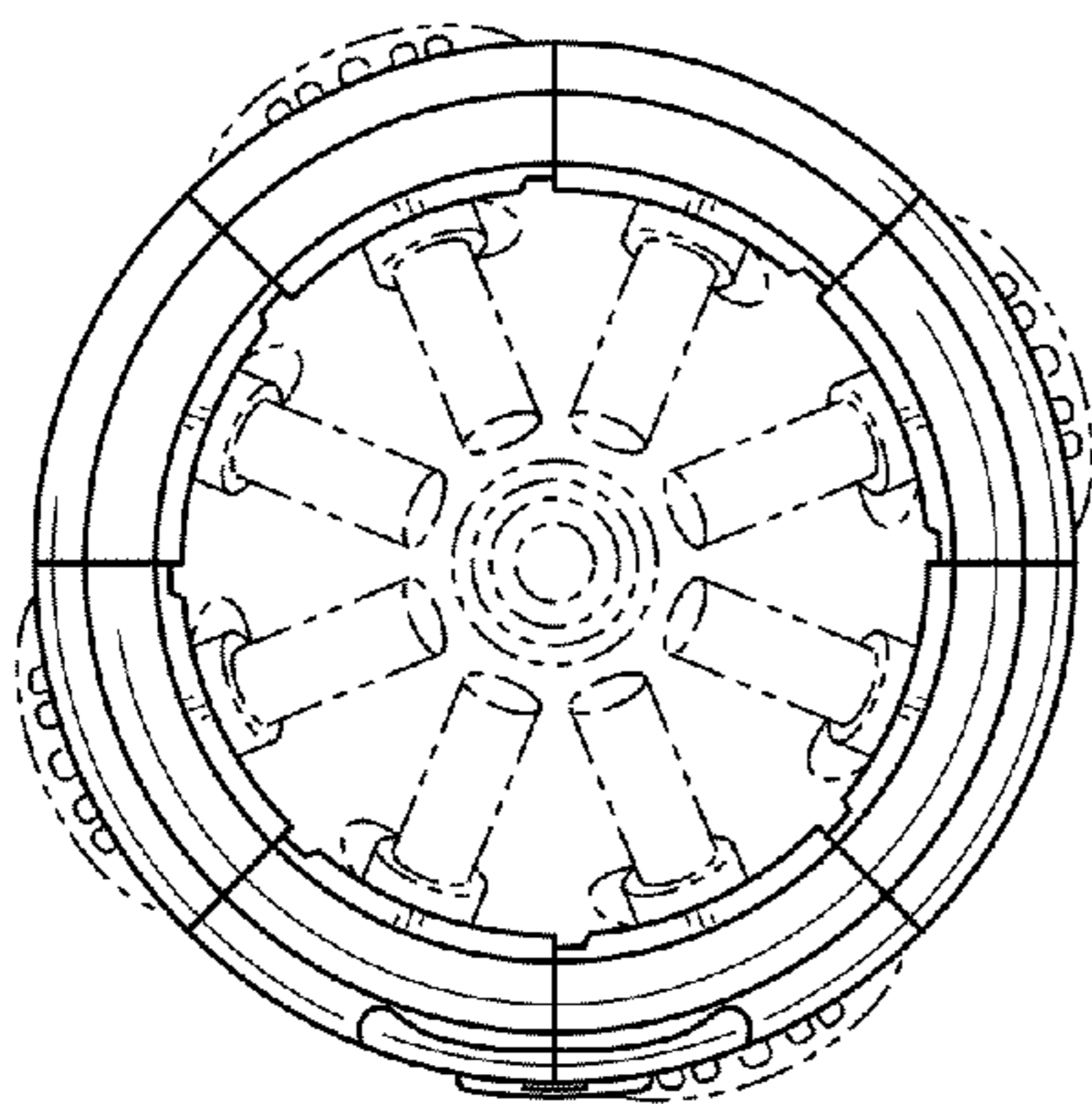


FIG. 3

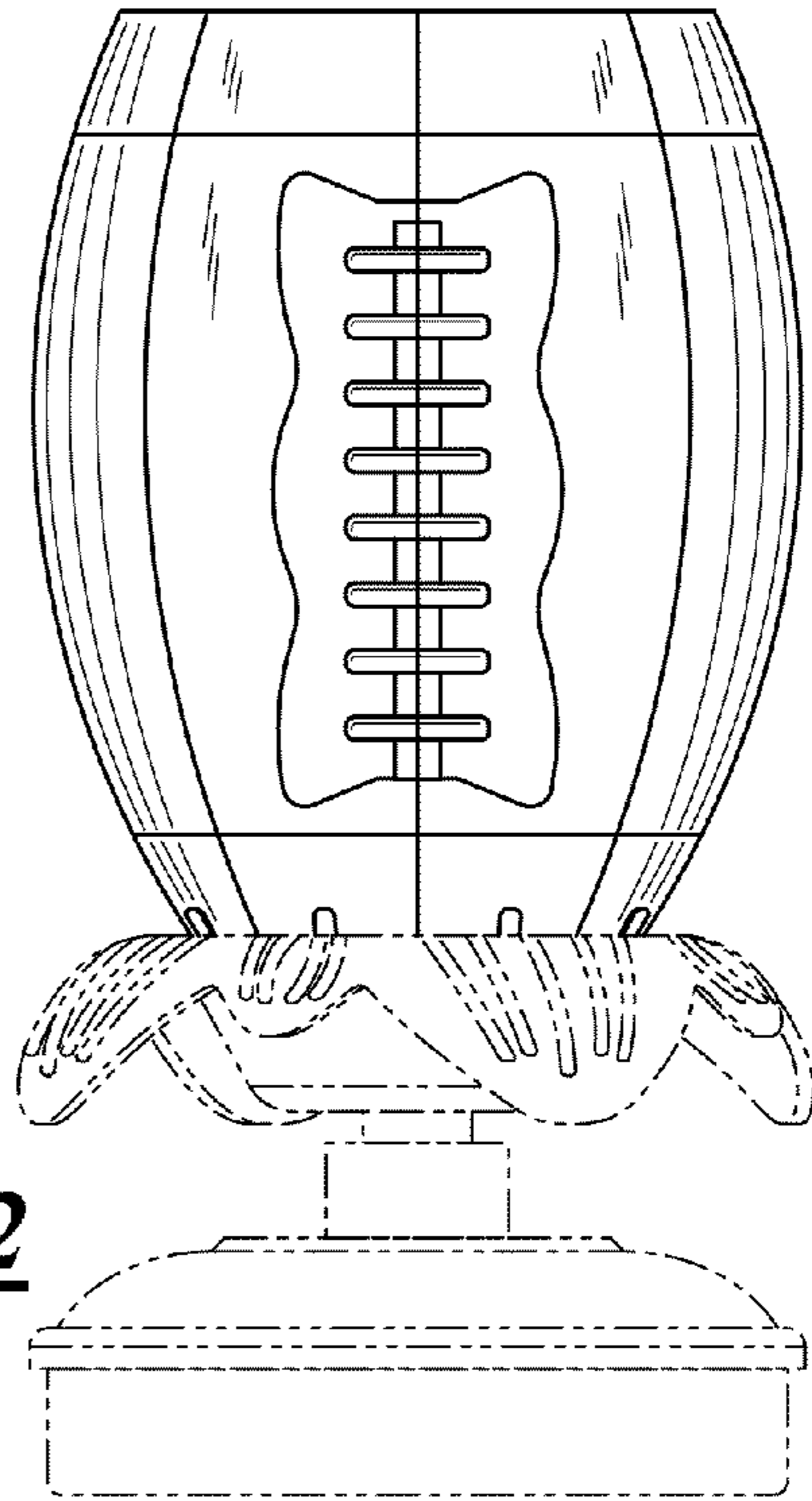


FIG. 2

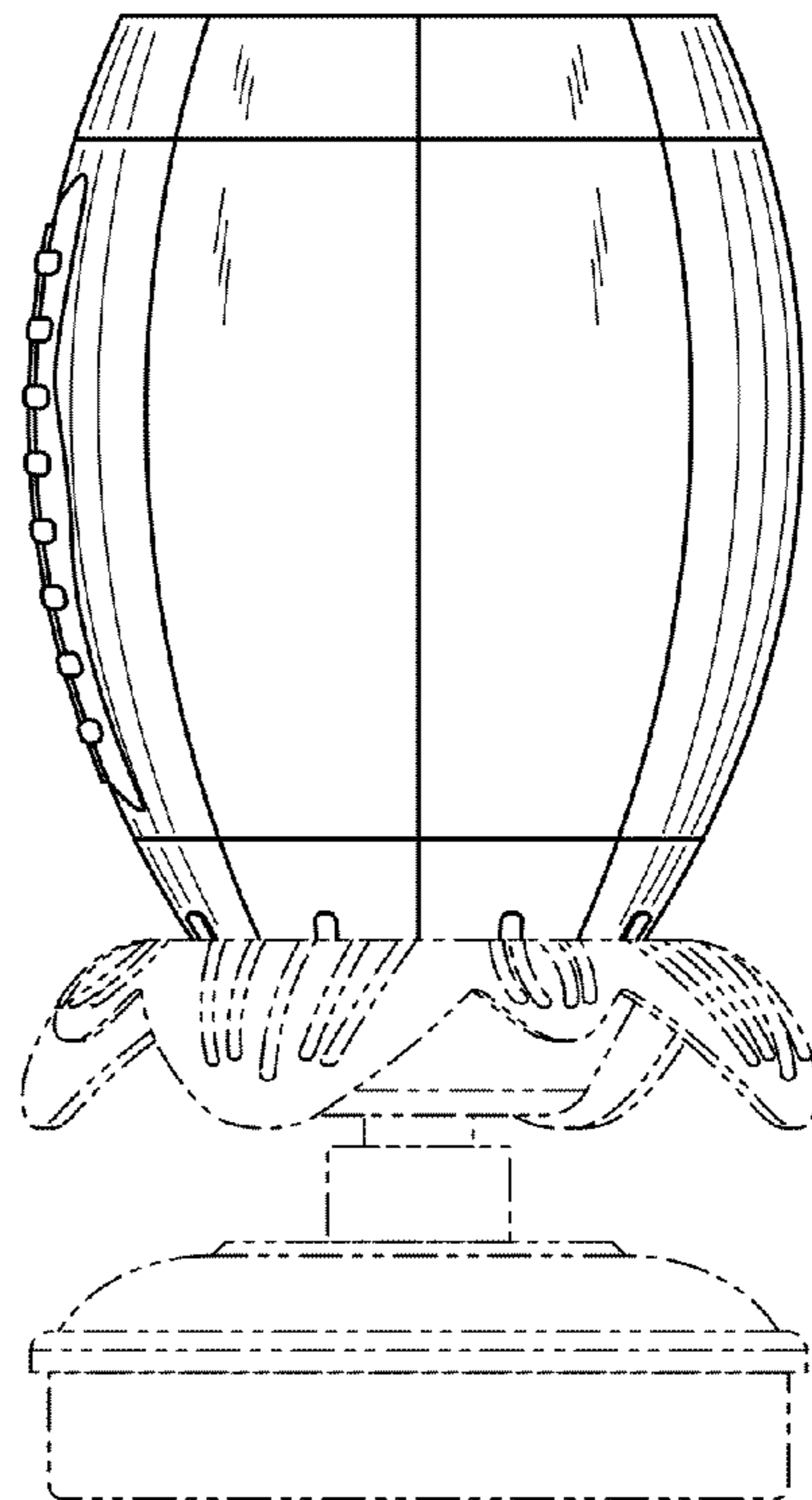


FIG. 4

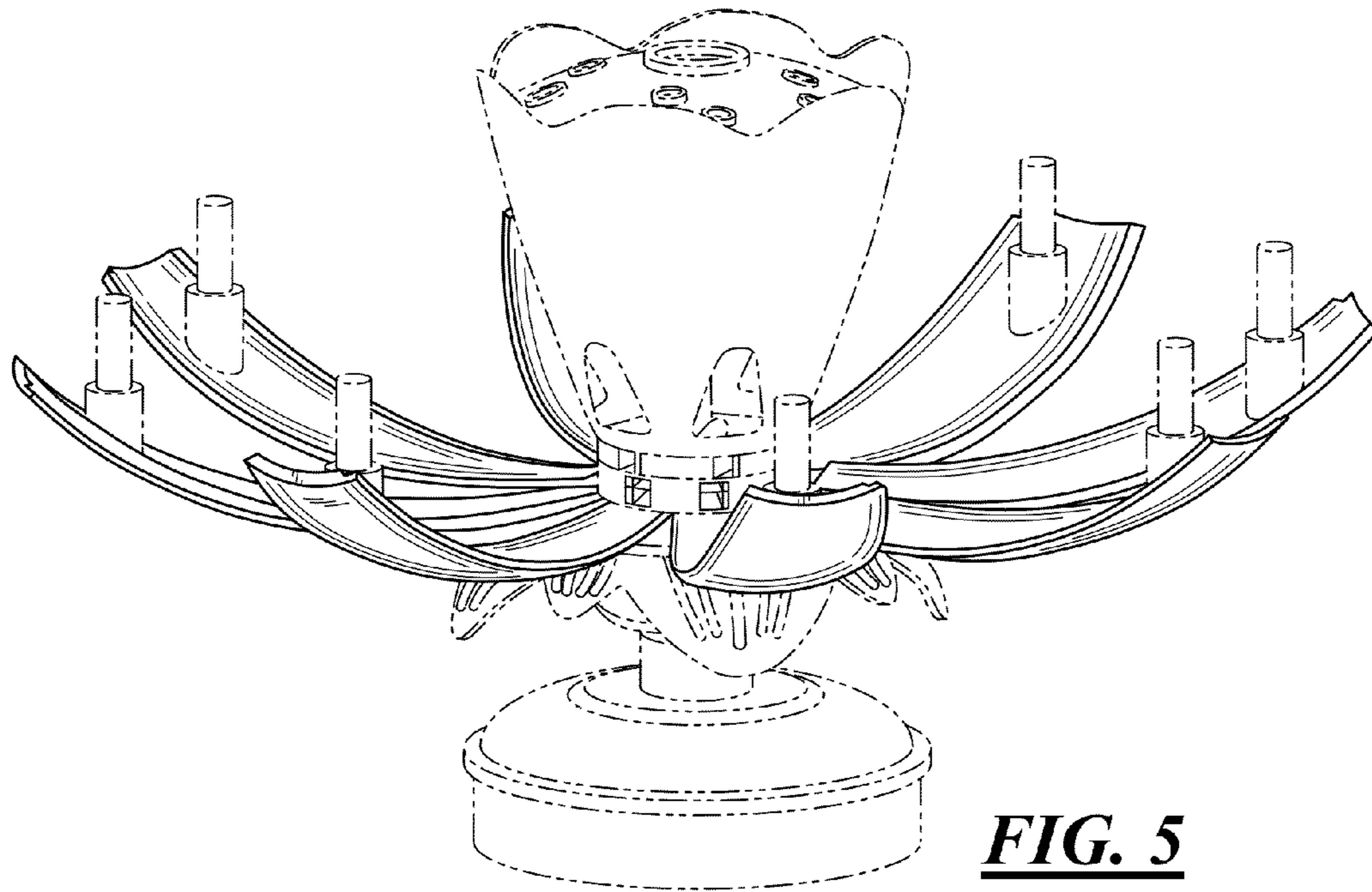


FIG. 5

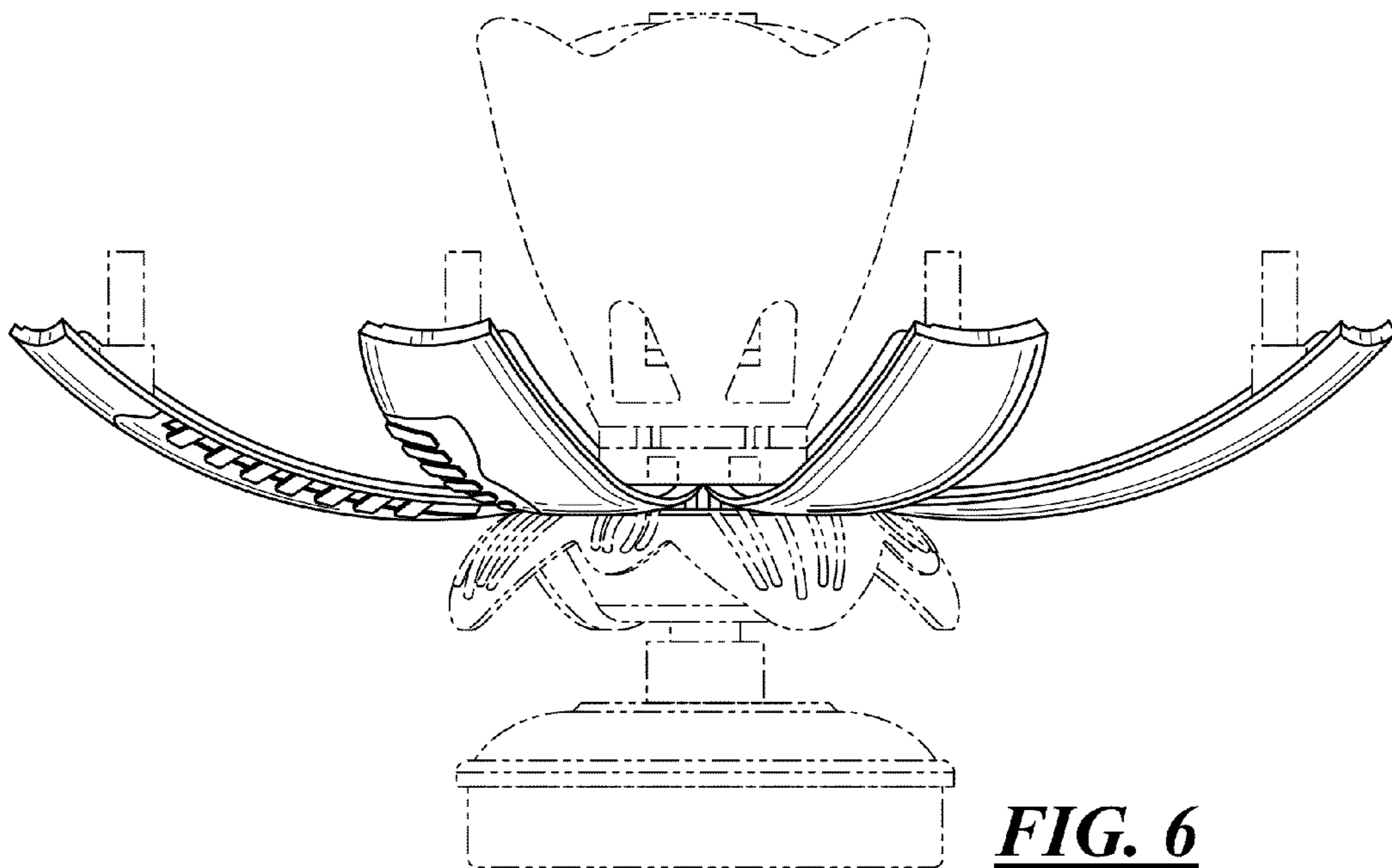


FIG. 6

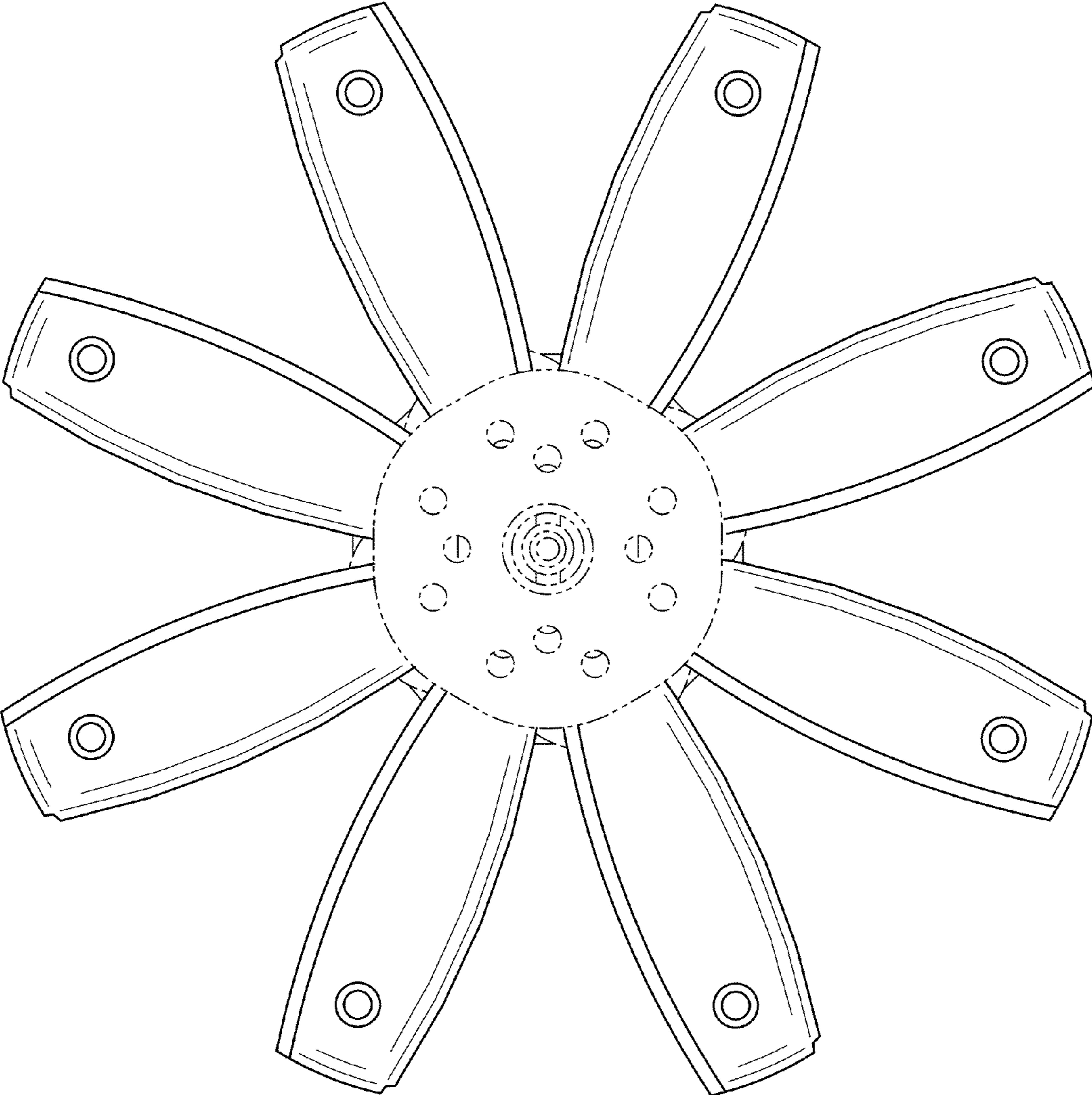


FIG. 7