

US00D734512S

(12) **United States Design Patent**
Yu

(10) **Patent No.:** **US D734,512 S**
(45) **Date of Patent:** **** Jul. 14, 2015**

(54) **LED LAMP**

(56) **References Cited**

(71) Applicant: **Ningbo Paccar Electronic Co., Ltd.,**
Cixi (CN)

U.S. PATENT DOCUMENTS

(72) Inventor: **Miaorui Yu, Cixi (CN)**

D532,532 S	*	11/2006	Maxik	D26/2
D544,110 S	*	6/2007	Hooker et al.	D26/2
D566,300 S	*	4/2008	Lo	D26/2
D581,555 S	*	11/2008	To et al.	D26/2
D584,838 S	*	1/2009	To et al.	D26/2
D610,722 S	*	2/2010	Bi	D26/2
D677,806 S	*	3/2013	Jiang et al.	D26/2

(73) Assignee: **Ningbo Paccar Electronic Co., Ltd.,**
Cixi (CN)

* cited by examiner

(**) Term: **14 Years**

Primary Examiner — Marcus Jackson

(21) Appl. No.: **29/492,408**

(74) *Attorney, Agent, or Firm* — Gemini Patent Services,
Inc.; Stephen Hsu; Li K. Wang

(22) Filed: **May 30, 2014**

(57) **CLAIM**

The ornamental design for an LED lamp, as shown and described.

(30) **Foreign Application Priority Data**

DESCRIPTION

Dec. 6, 2013 (CN) 2013 3 0605581

(51) **LOC (10) Cl.** **26-04**

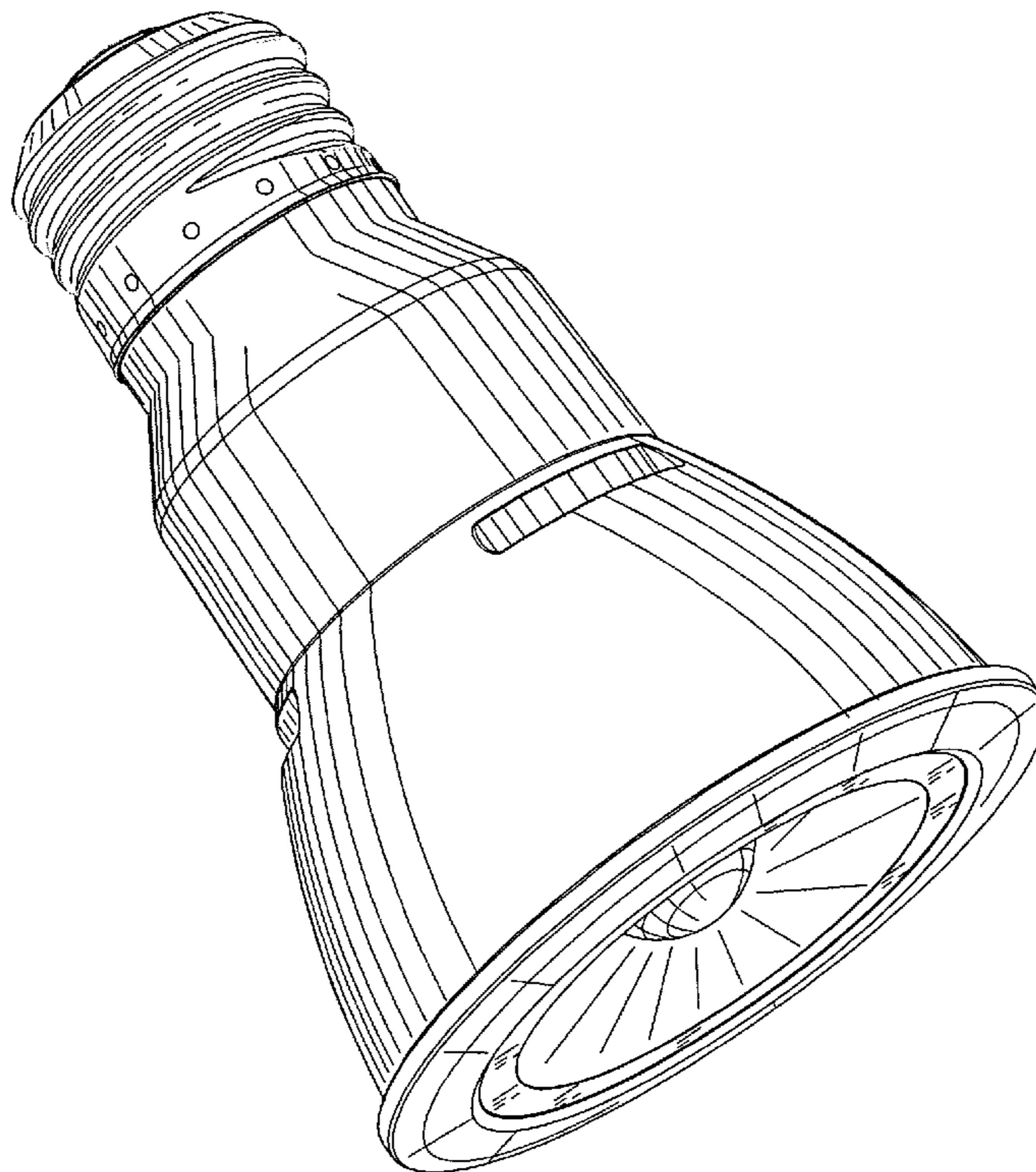
(52) **U.S. Cl.**
USPC **D26/2**

(58) **Field of Classification Search**
USPC D26/1-4; 313/313, 315, 316, 317, 318,
313/493; 315/52, 53, 56, 57, 58

FIG. 1 is a front view of the LED Lamp;
FIG. 2 is a right side view thereof;
FIG. 3 is a left side view thereof;
FIG. 4 is a back side view thereof;
FIG. 5 is a bottom plan view thereof;
FIG. 6 is a top plan view thereof; and,
FIG. 7 is a perspective view thereof.

See application file for complete search history.

1 Claim, 4 Drawing Sheets



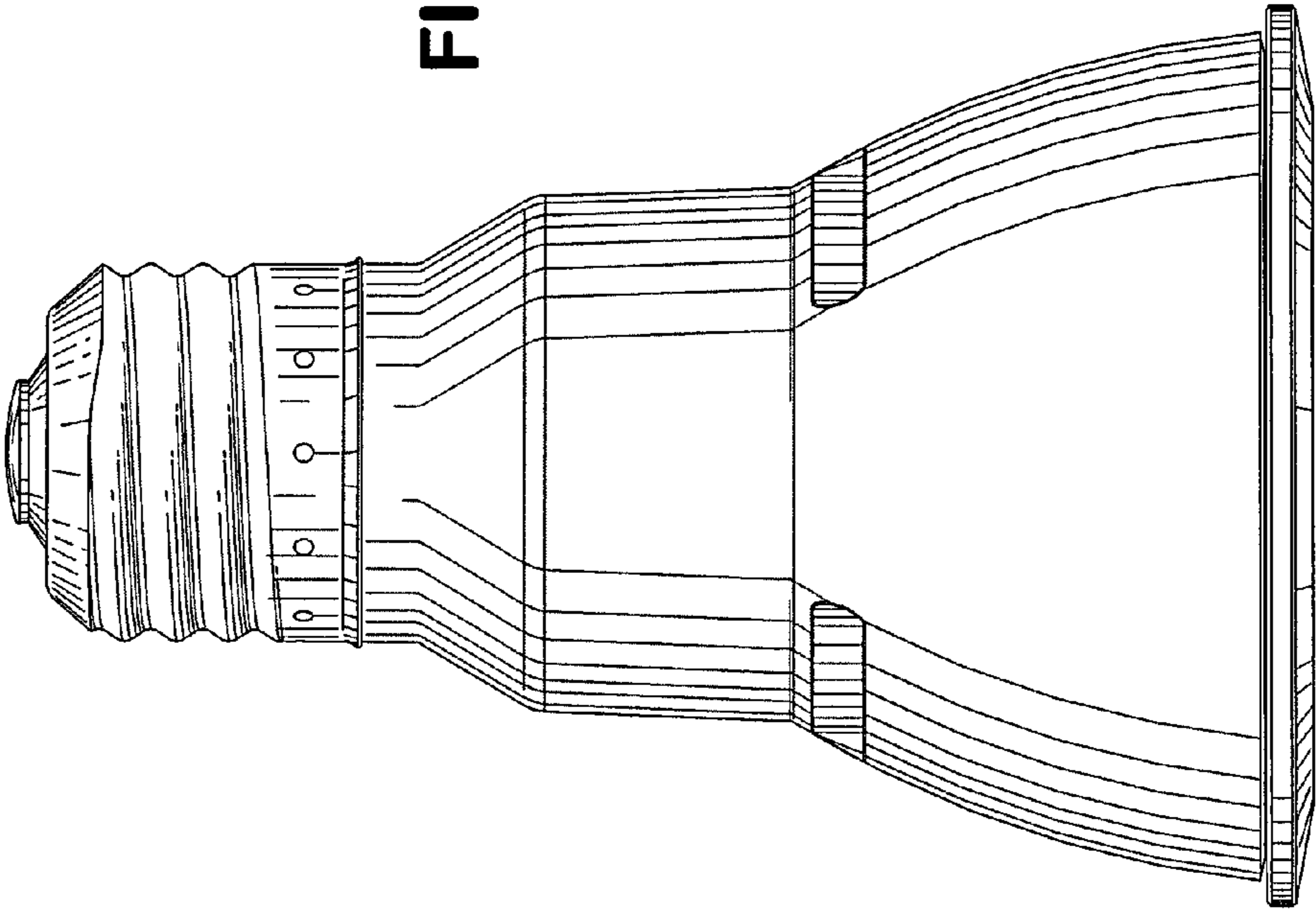


FIG. 2

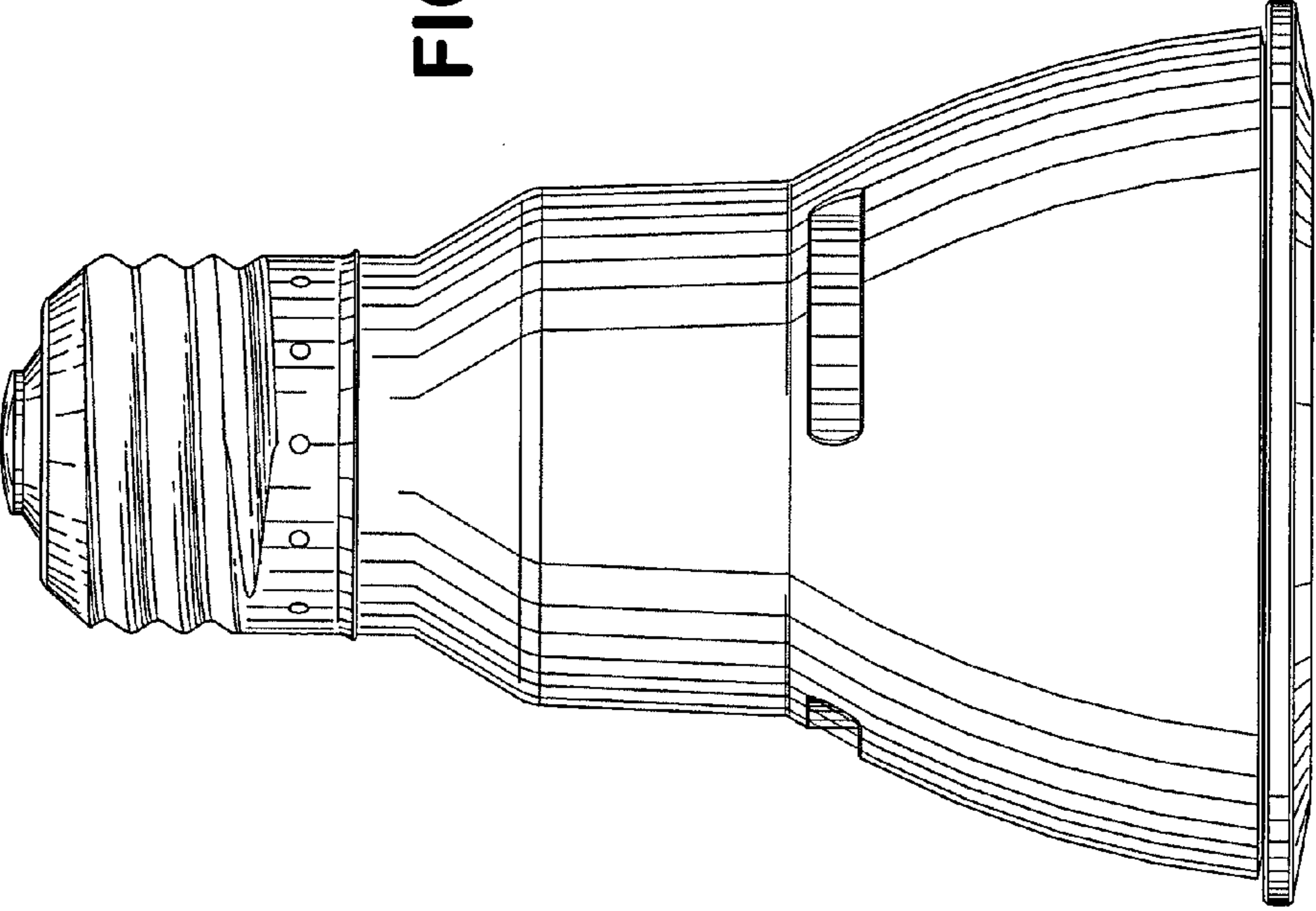


FIG. 1

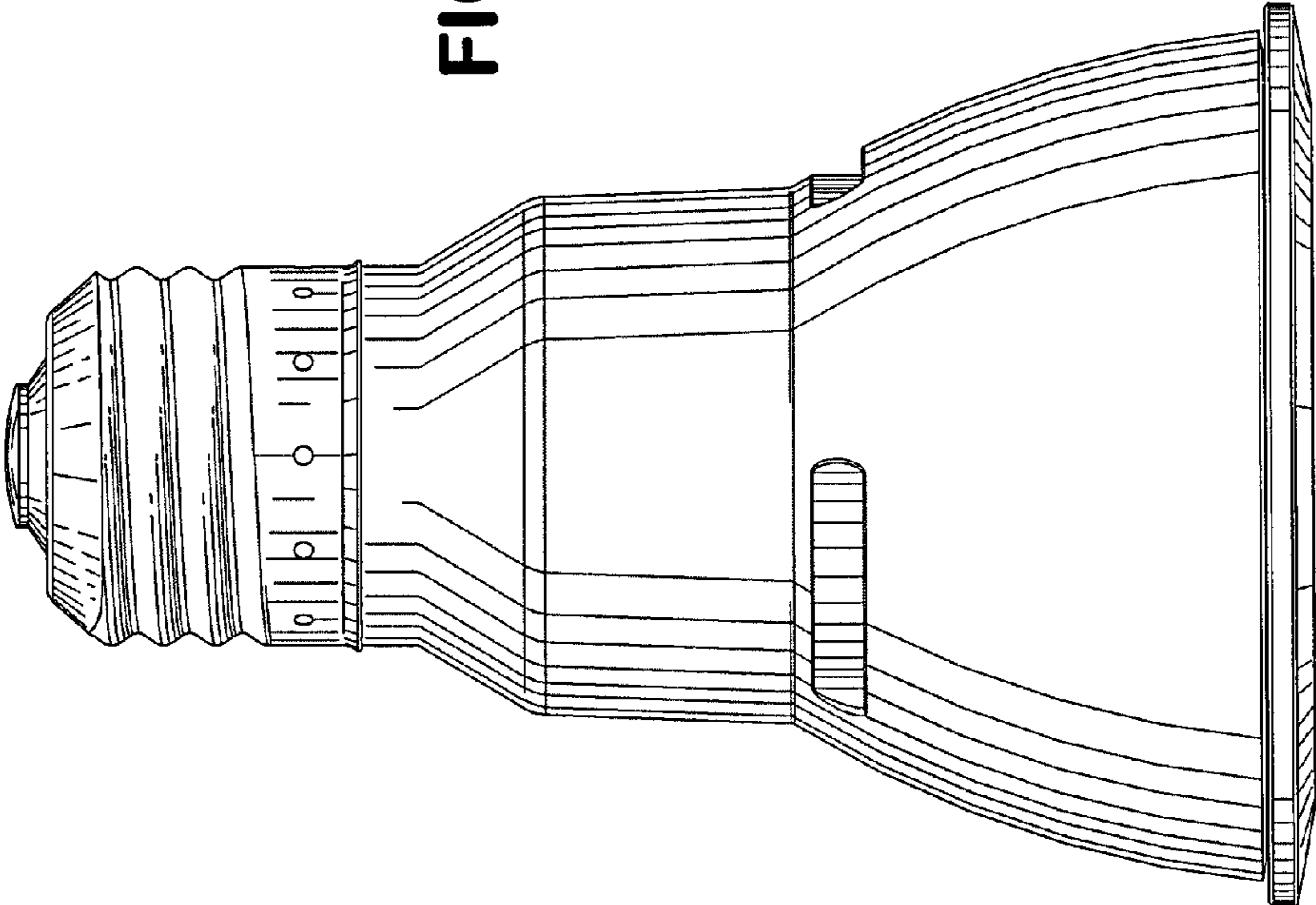


FIG. 4

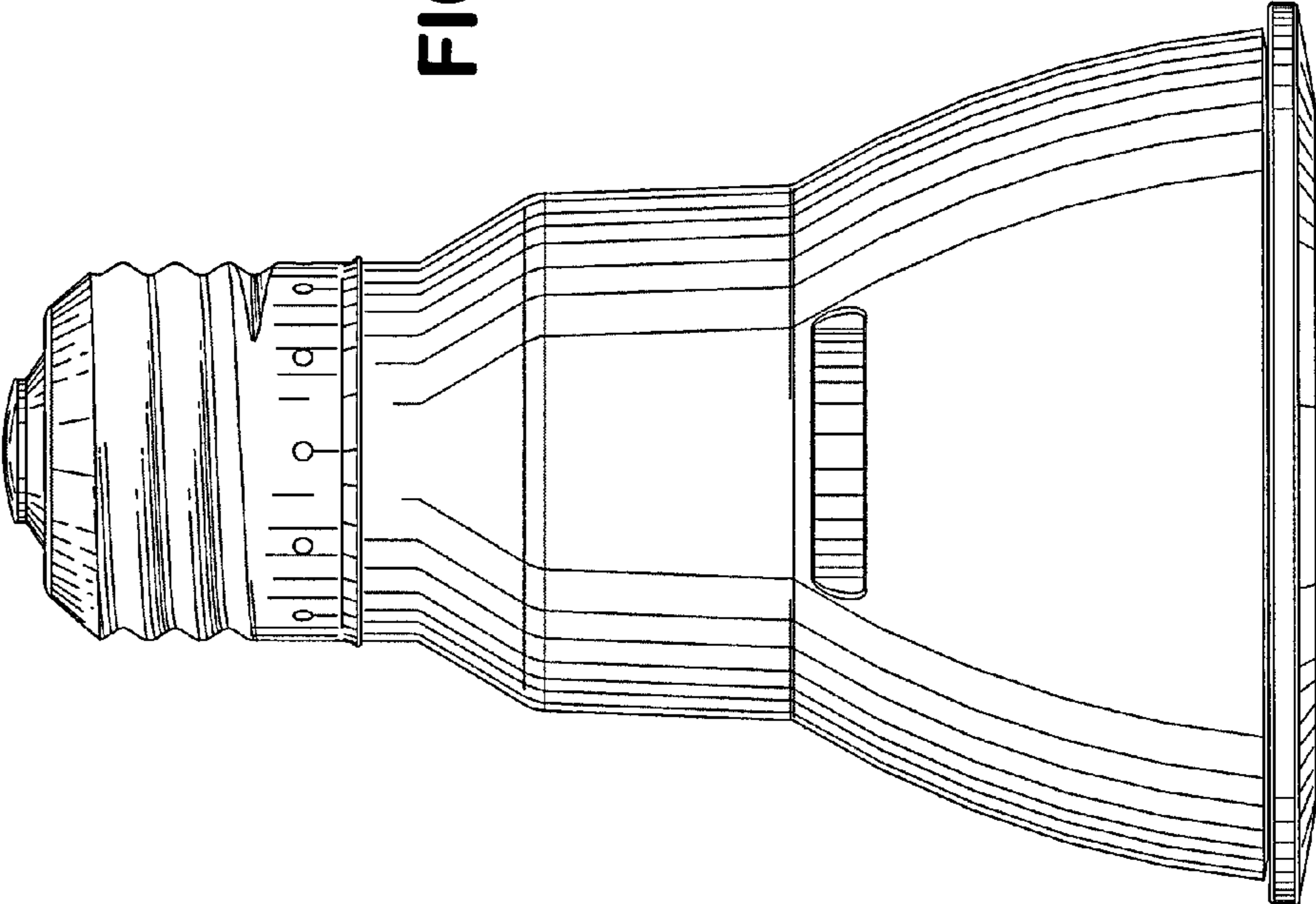


FIG. 3

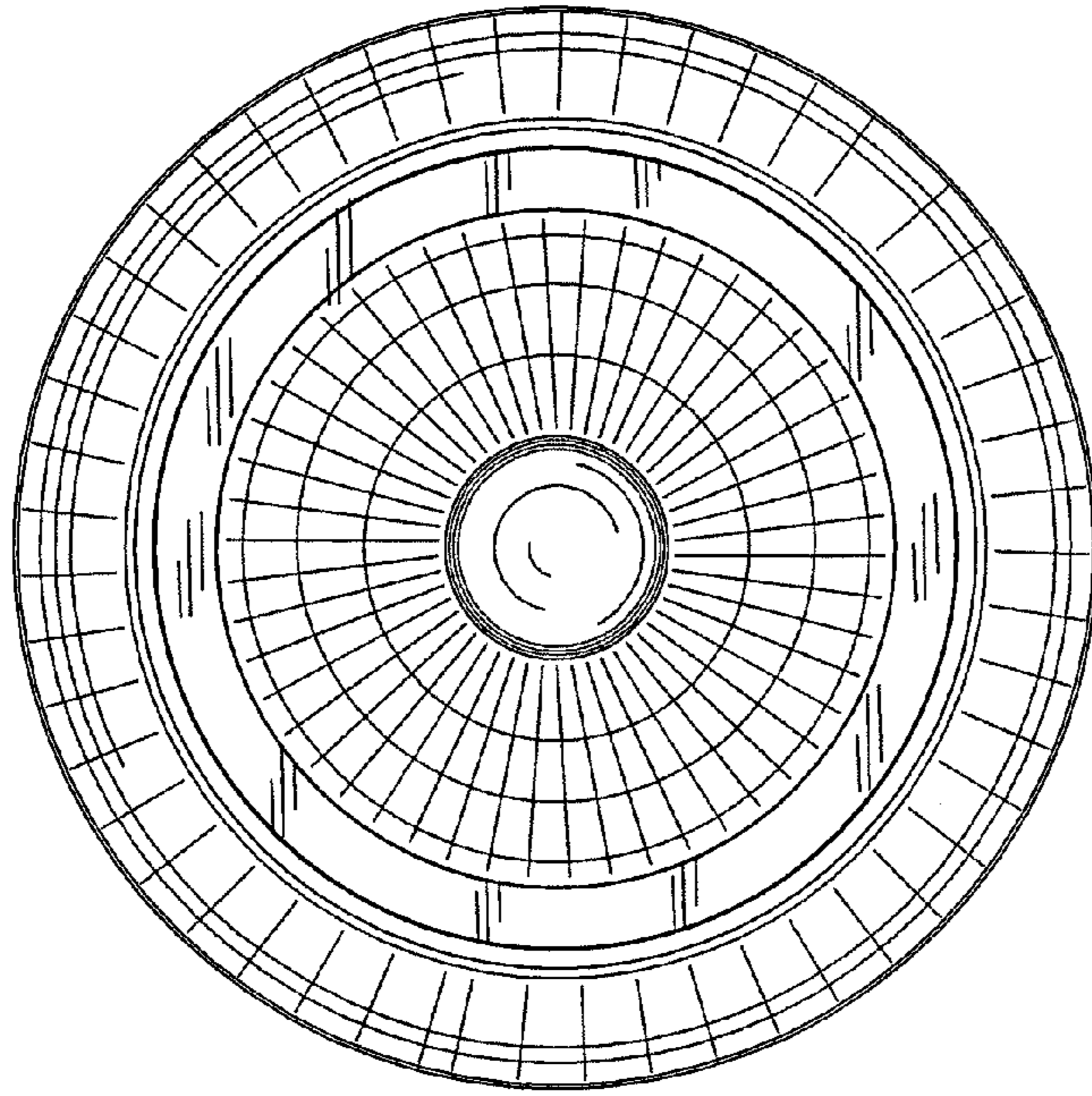


FIG. 6

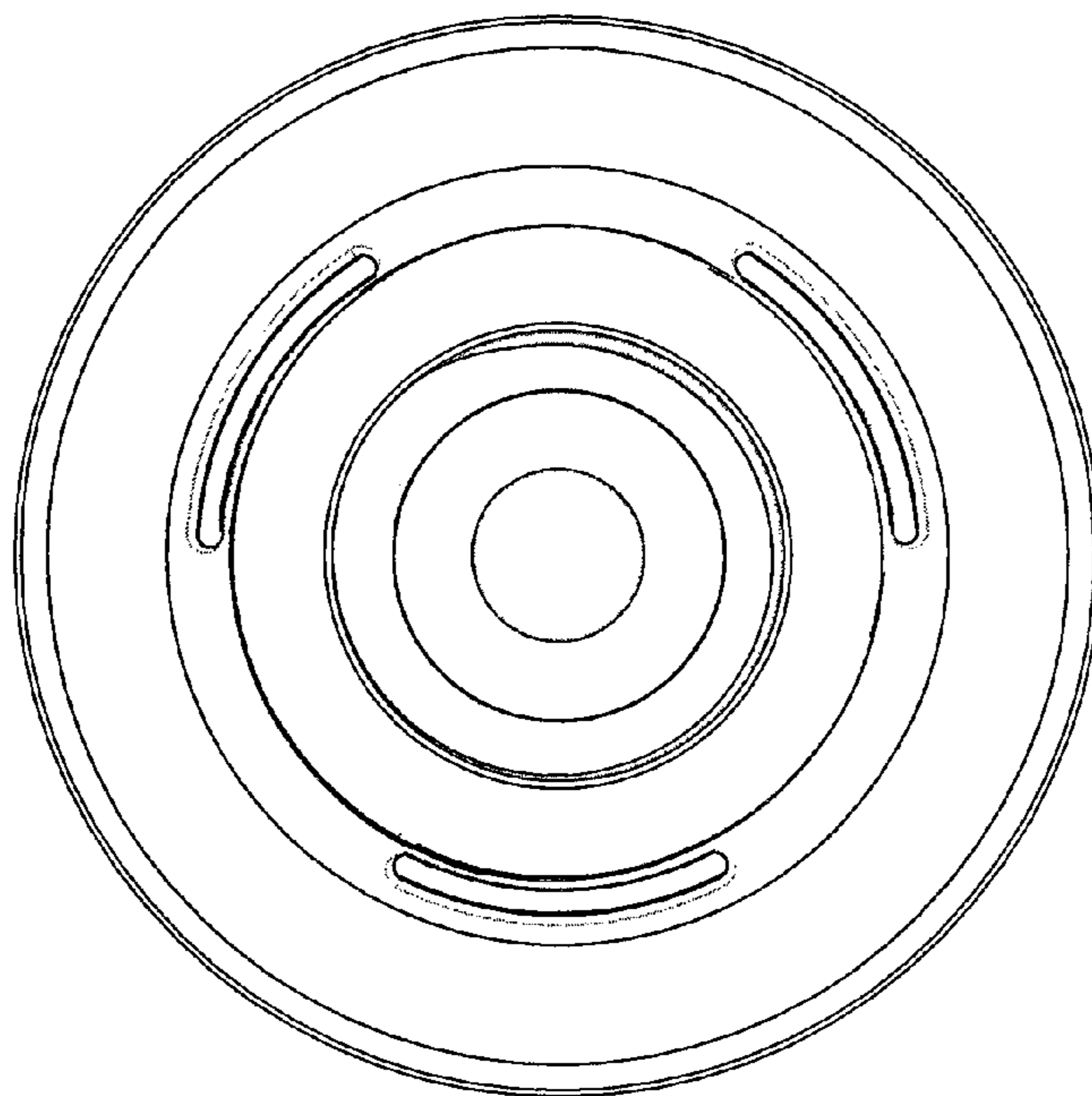


FIG. 5

FIG. 7

