



US00D734506S

(12) **United States Design Patent**  
**Webb et al.**

(10) **Patent No.:** **US D734,506 S**  
(45) **Date of Patent:** **\*\* Jul. 14, 2015**

(54) **LED BULB**

(71) Applicant: **Switch Bulb Company, Inc.**, San Jose, CA (US)

(72) Inventors: **Andrew Webb**, San Jose, CA (US); **David Titzler**, Palo Alto, CA (US); **Alex Rochat**, Emeryville, CA (US); **Rob Swinton**, San Francisco, CA (US); **Jeff Salazar**, Palo Alto, CA (US); **Glenn Wheelock**, San Jose, CA (US)

D531,741 S	11/2006	Takahashi	
D534,665 S	1/2007	Egawa et al.	
D538,950 S	3/2007	Maxik	
D538,953 S	3/2007	Mama	
D615,220 S	5/2010	Crane et al.	
D617,915 S	6/2010	Wada et al.	
D617,918 S	6/2010	Yamamoto et al.	
D617,919 S	6/2010	Wada et al.	
D620,155 S	7/2010	Wang et al.	
D627,085 S	*	11/2010	Duan et al. .... D26/2
D629,929 S	*	12/2010	Chen et al. .... D26/2
D633,226 S	*	2/2011	Katsaros .... D26/2

(Continued)

(73) Assignee: **Switch Bulb Company, Inc.**, San Jose, CA (US)

(\*\*) Term: **14 Years**

(21) Appl. No.: **29/479,423**

(22) Filed: **Jan. 15, 2014**

**Related U.S. Application Data**

(63) Continuation of application No. 29/459,078, filed on Jun. 25, 2013, now Pat. No. Des. 700,722, which is a continuation of application No. 13/068,867, filed on Jul. 8, 2011, now Pat. No. 8,740,415, and a continuation of application No. 29/404,803, filed on Oct. 25, 2011, now abandoned.

(51) **LOC (10) Cl.** ..... **26-04**

(52) **U.S. Cl.**  
USPC ..... **D26/2**

(58) **Field of Classification Search**  
USPC ..... D26/1-4; 313/313, 315, 316, 317, 318, 313/493; 315/52, 53, 56, 57, 58  
See application file for complete search history.

(56) **References Cited**

**U.S. PATENT DOCUMENTS**

D508,575 S	8/2005	Buschmann et al.
D528,227 S	9/2006	Chou et al.

**OTHER PUBLICATIONS**

Notice of Allowance received for Design U.S. Appl. No. 29/404,803, mailed on Mar. 4, 2013, 8 pages.

Notice of Allowance received for Design U.S. Appl. No. 29/459,078, mailed on Oct. 15, 2013, 11 pages.

*Primary Examiner* — Marcus Jackson

(74) *Attorney, Agent, or Firm* — Morrison & Foerster LLP

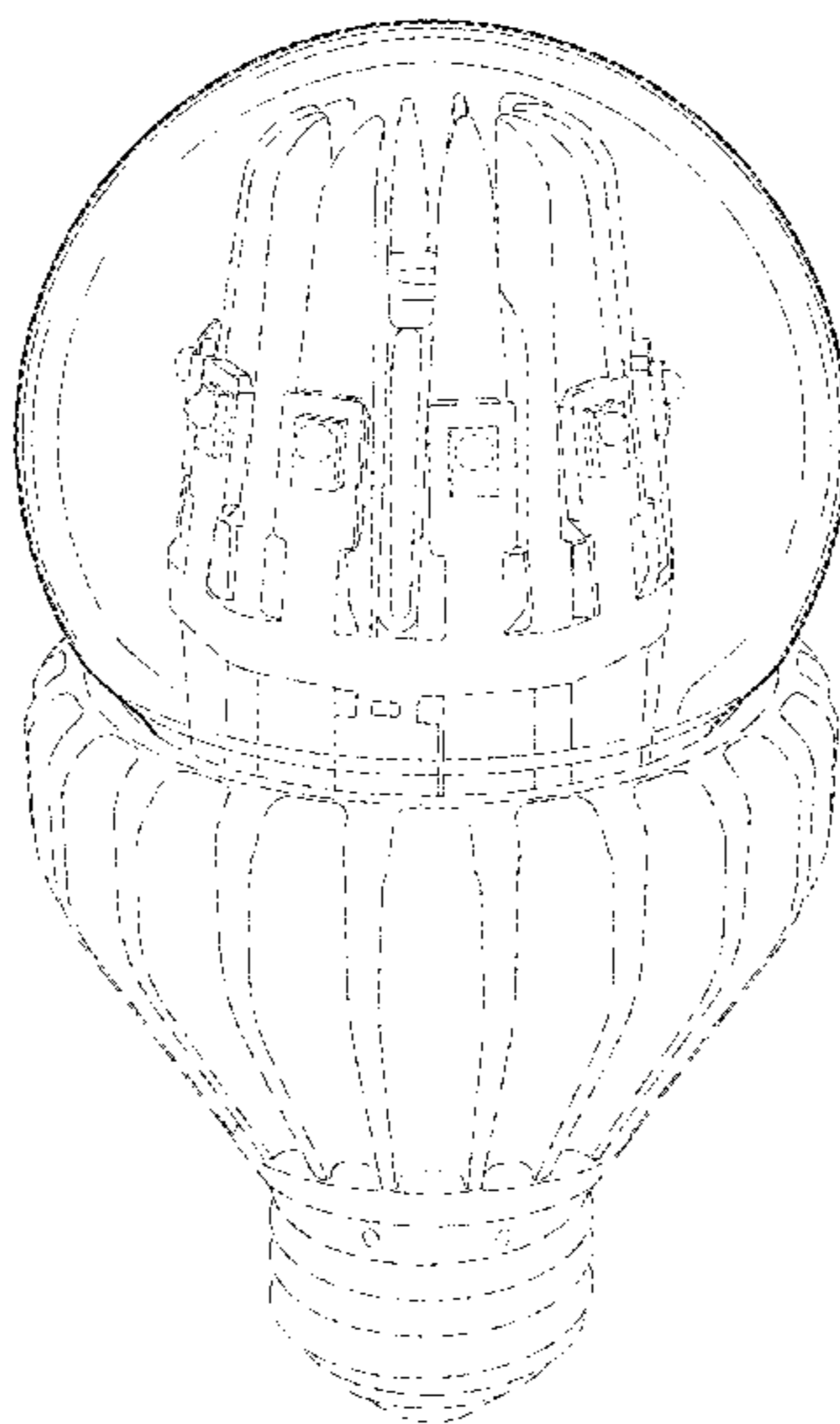
(57) **CLAIM**

The ornamental design for an LED bulb, as shown and described.

**DESCRIPTION**

FIG. 1 is a perspective view of a first embodiment of an LED bulb;  
FIG. 2 is a side view of the first embodiment;  
FIG. 3 is a top view of the first embodiment;  
FIG. 4 is a bottom view of the first embodiment;  
FIG. 5 is a perspective view of a second embodiment of an LED bulb;  
FIG. 6 is a side view of the second embodiment;  
FIG. 7 is a top view of the second embodiment; and,  
FIG. 8 is a bottom view of the second embodiment.  
The broken lines illustrating portions of the LED bulb form no part of the claimed design.

**1 Claim, 6 Drawing Sheets**



(56)

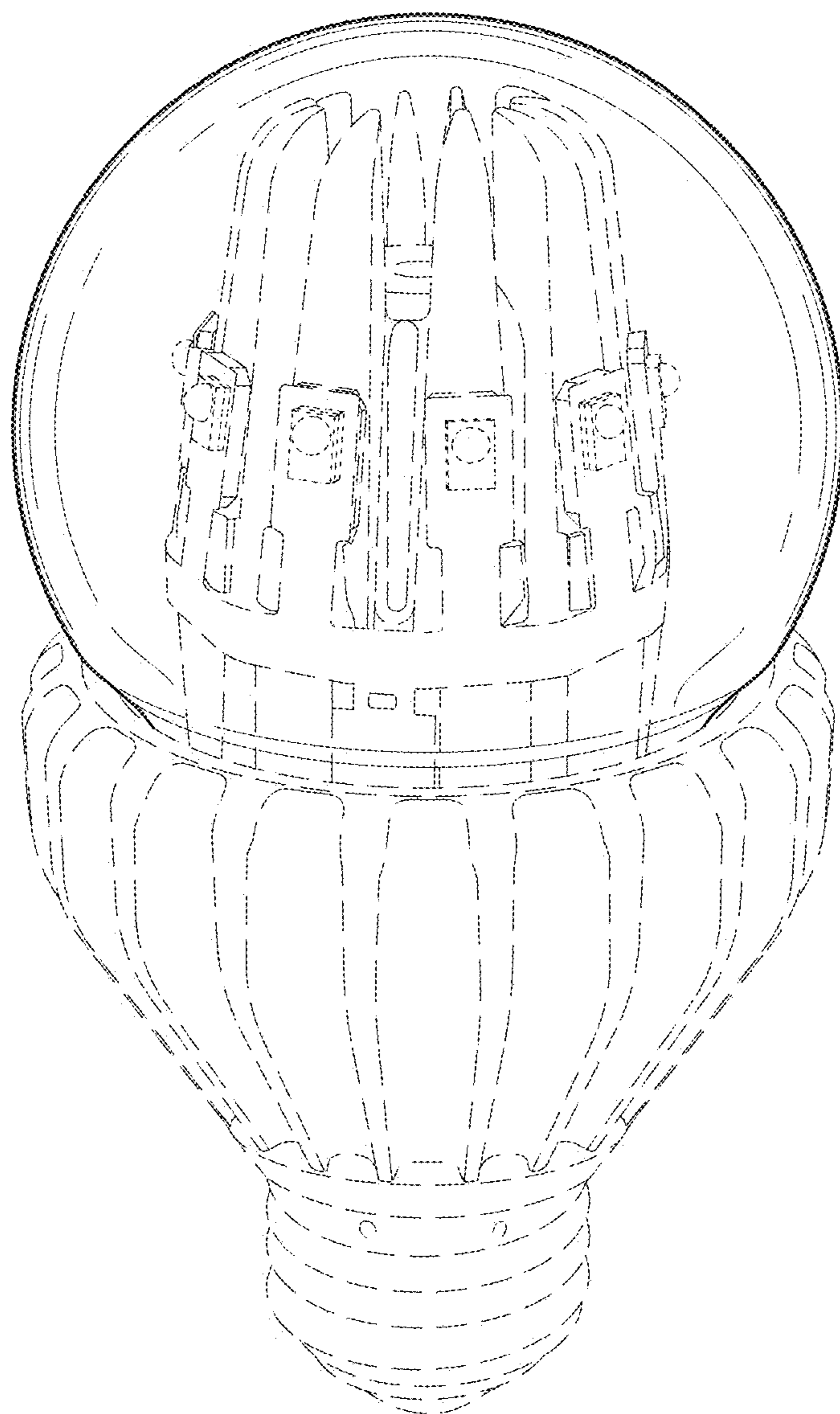
**References Cited**

U.S. PATENT DOCUMENTS

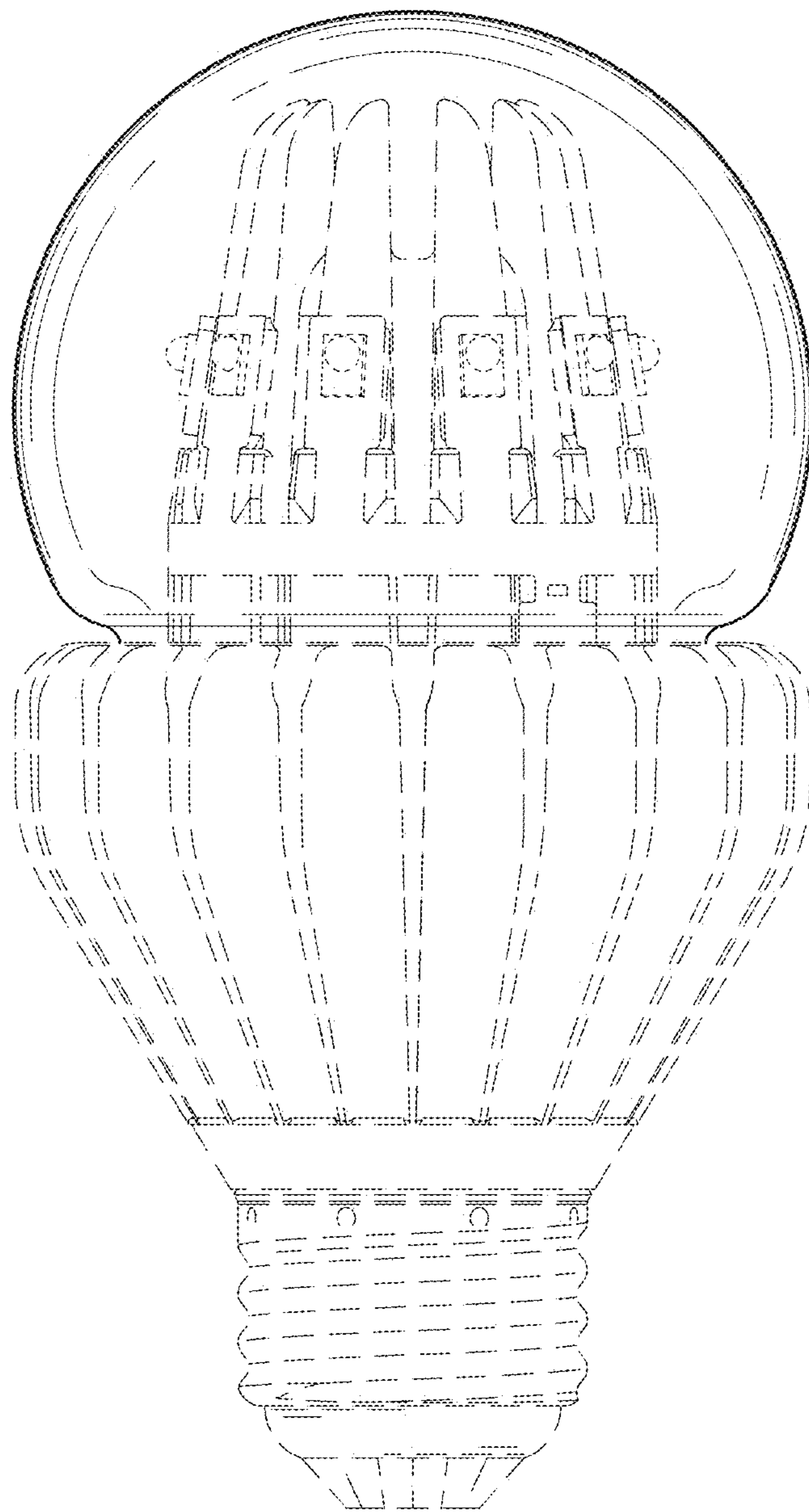
D634,451 S \* 3/2011 de Visser ..... D26/2  
D642,704 S \* 8/2011 Hagens et al. .... D26/2  
D651,327 S 12/2011 Hsiao et al.

D653,366 S 1/2012 Le et al.  
D663,869 S 7/2012 Choi et al.  
D676,582 S 2/2013 Webb et al.  
D690,036 S 9/2013 Rochat et al.

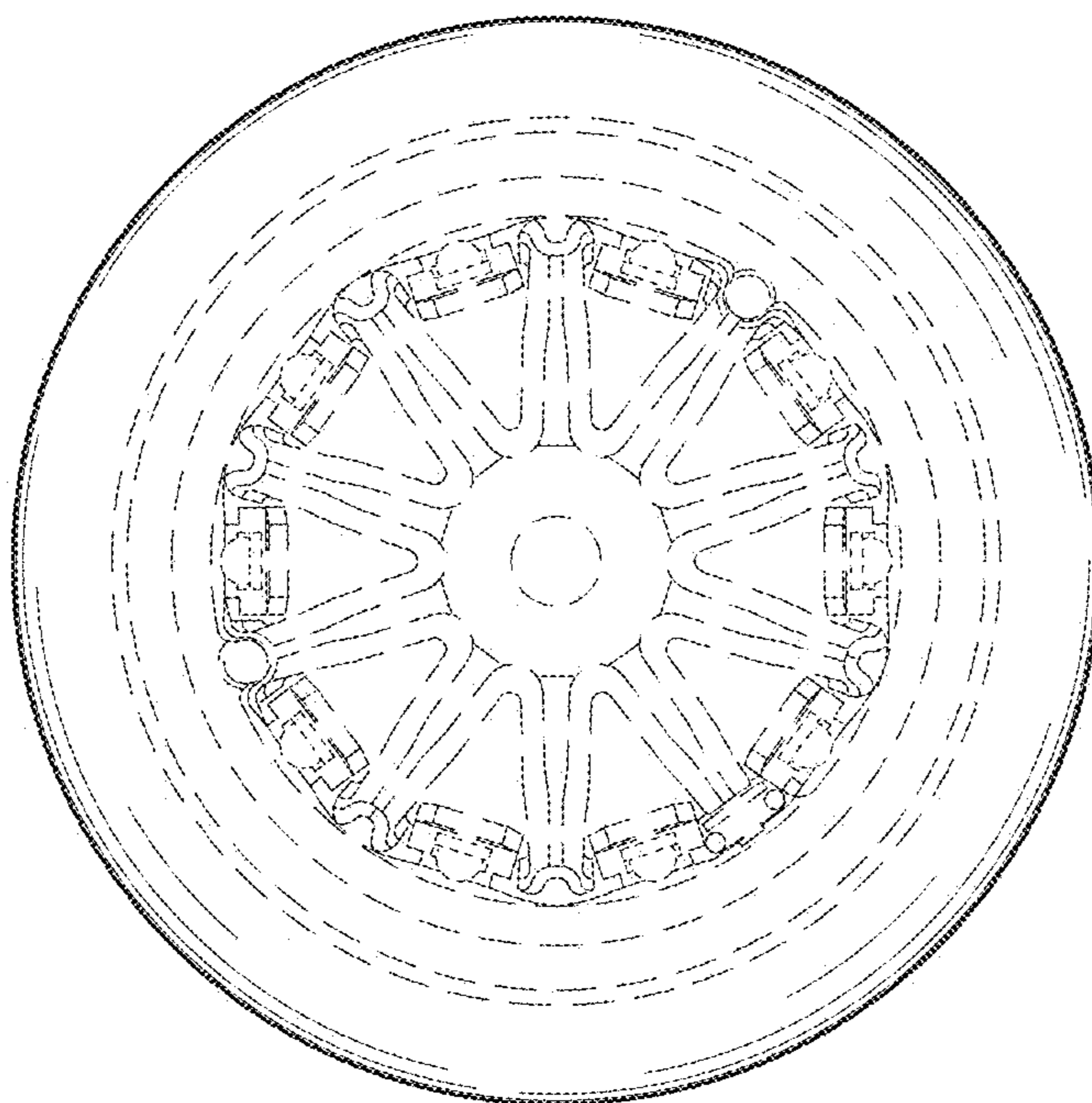
\* cited by examiner



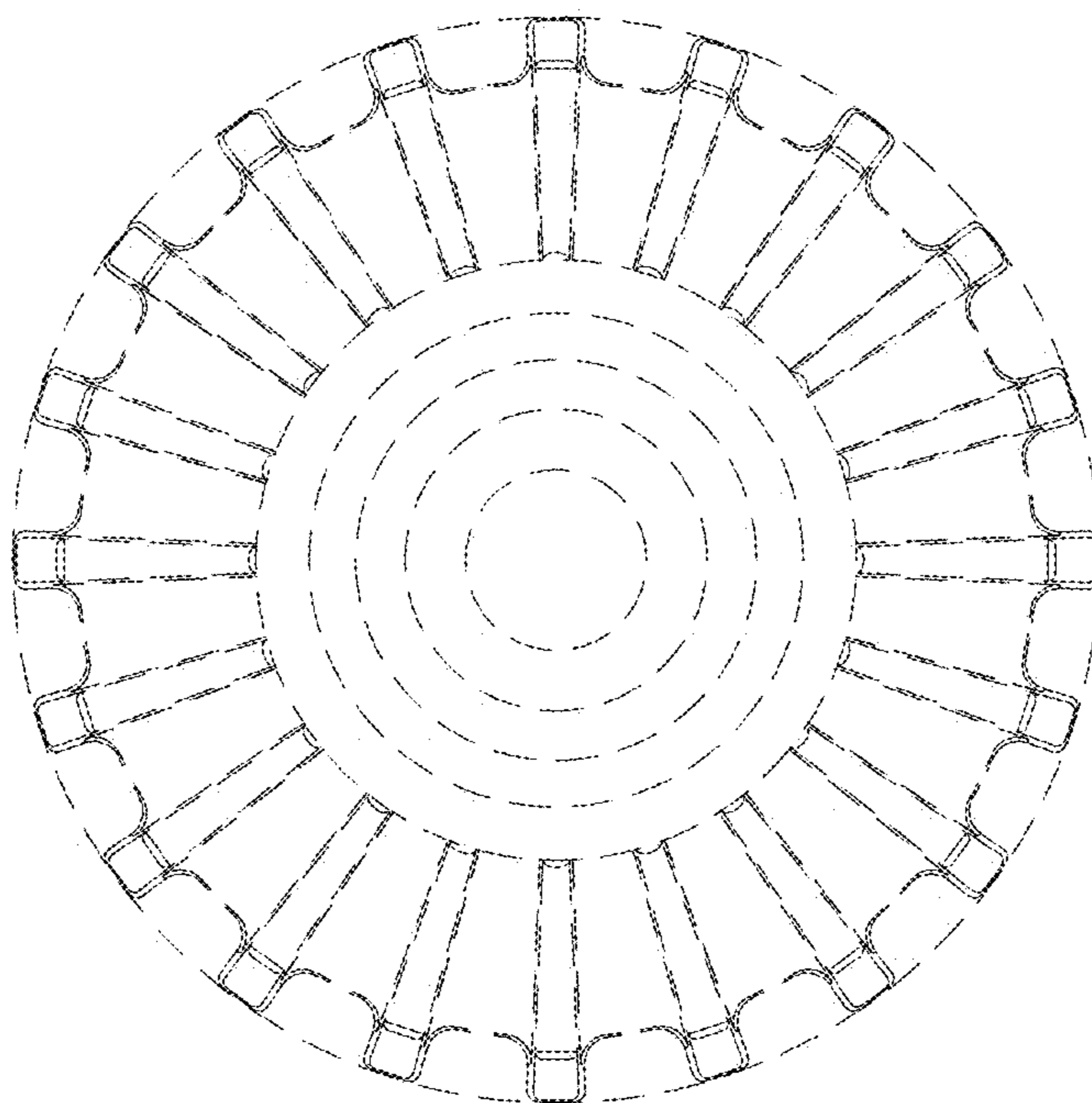
**FIG. 1**



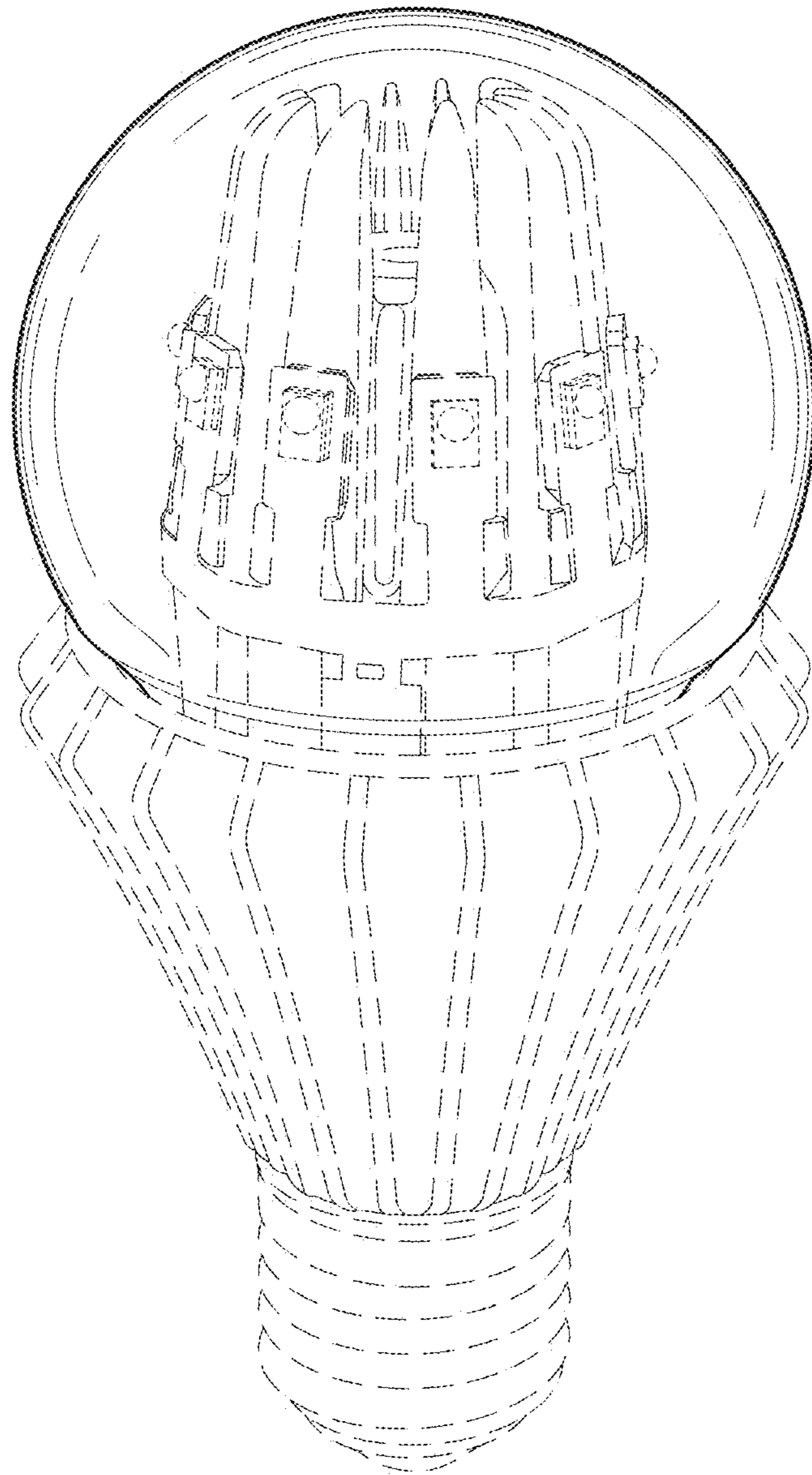
**FIG. 2**



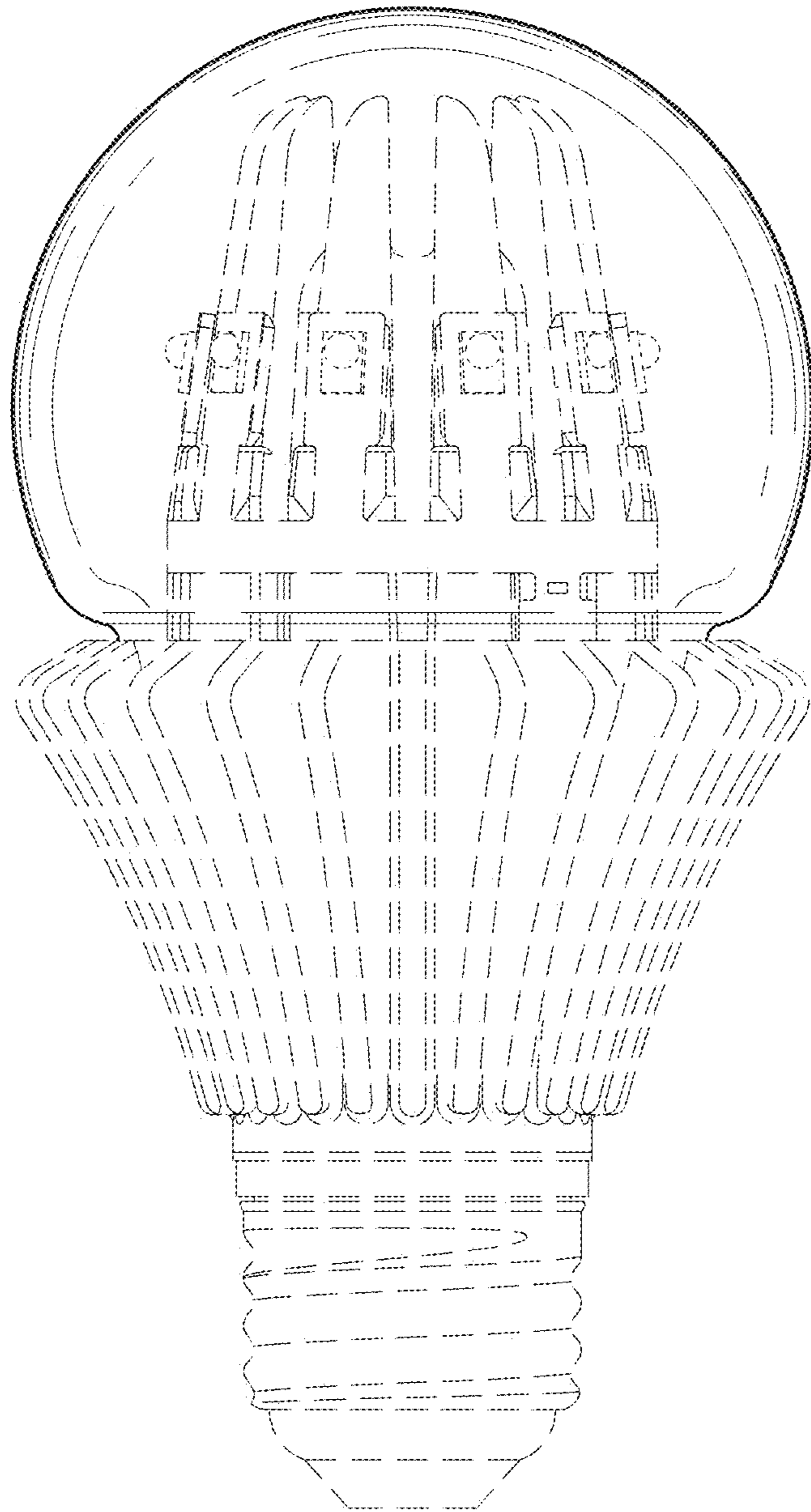
*FIG. 3*



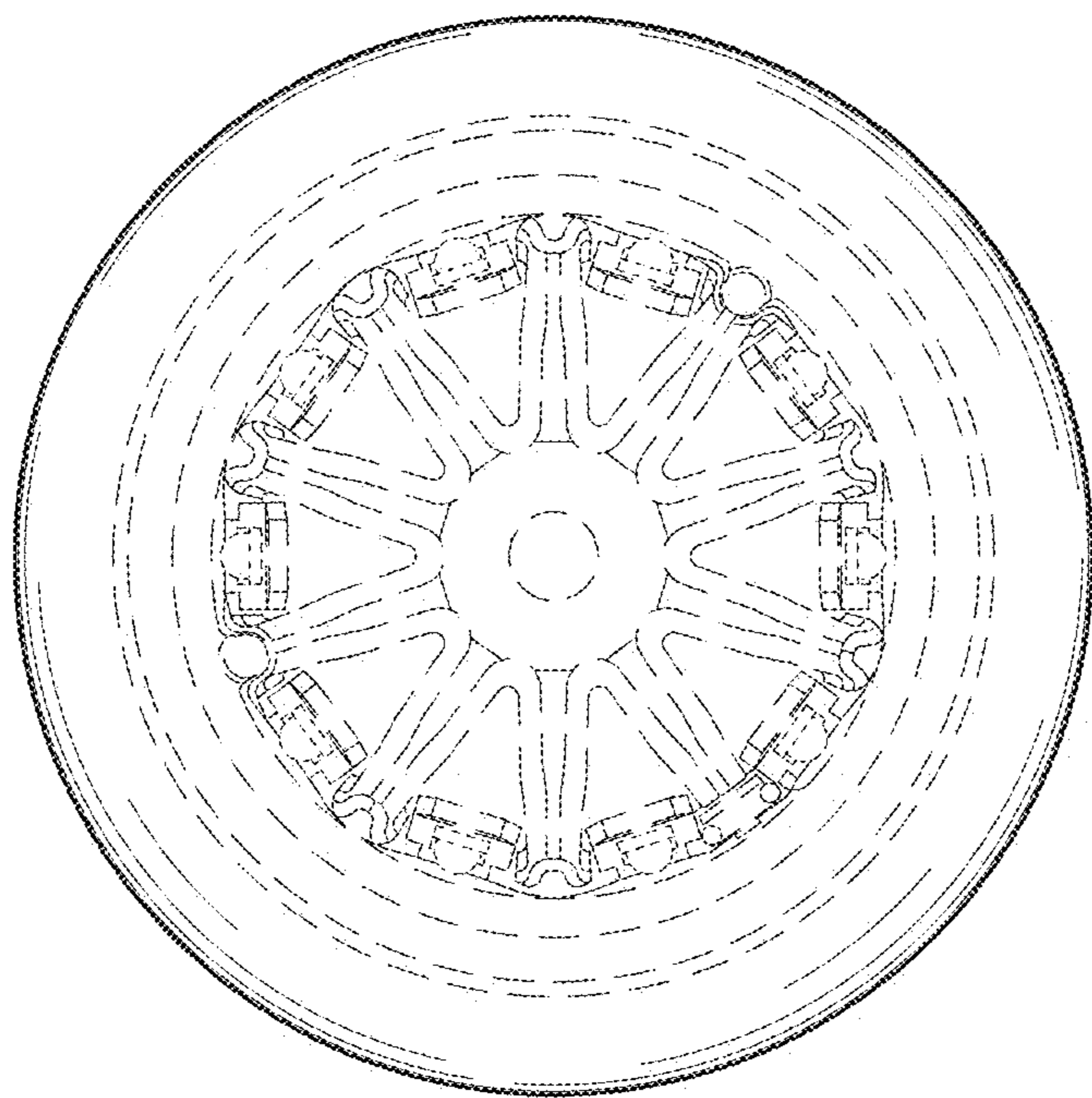
*FIG. 4*



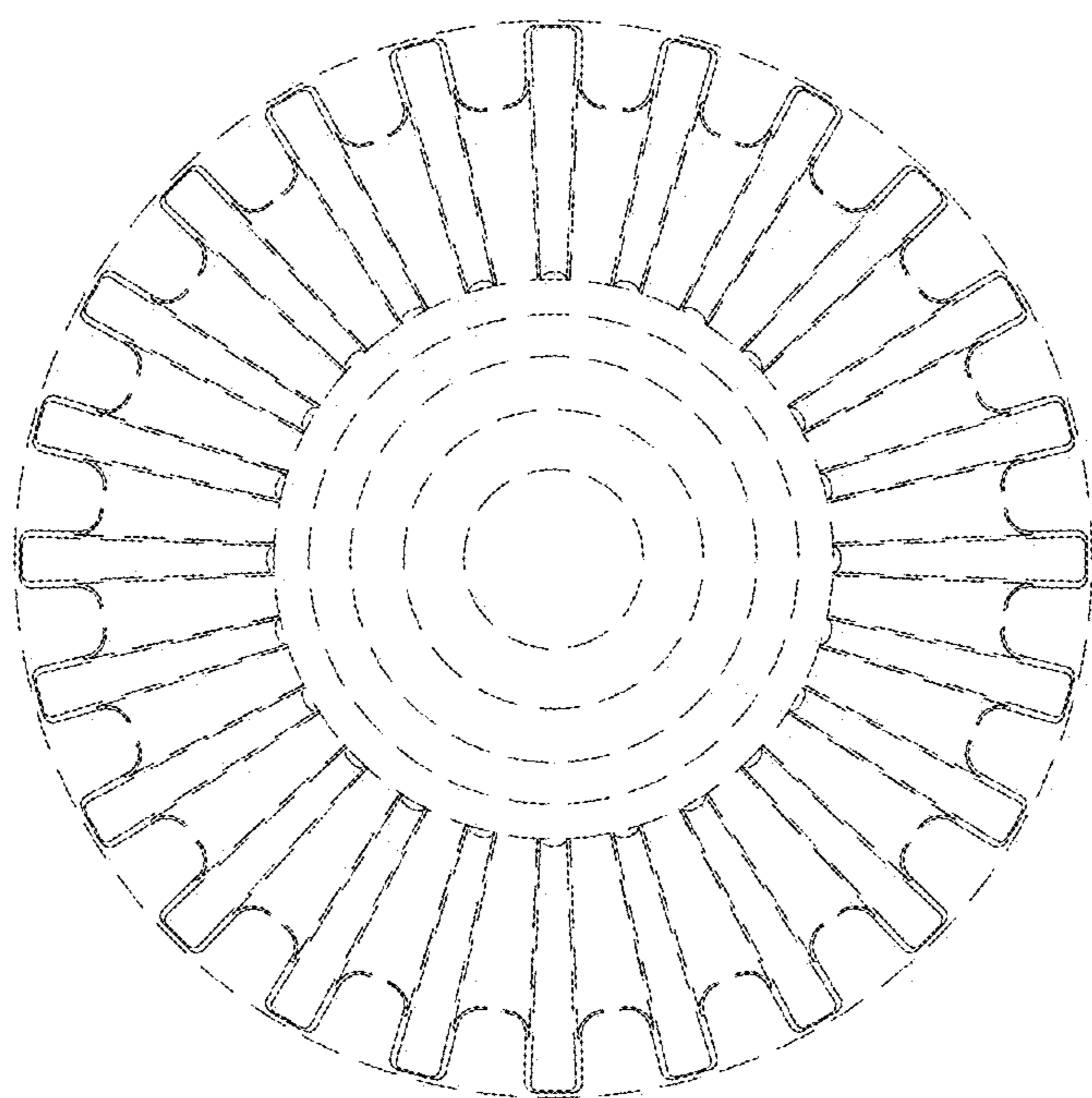
**FIG. 5**



**FIG. 6**



*FIG. 7*



*FIG. 8*