



US00D734505S

(12) **United States Design Patent**
Mckinley et al.

(10) **Patent No.:** **US D734,505 S**
(45) **Date of Patent:** **** Jul. 14, 2015**

(54) **HEAD FOR USE IN A POST**

(56) **References Cited**

(71) Applicant: **Gallagher Group Limited**, Melville,
Hamilton (NZ)
(72) Inventors: **Matthew Henry Mckinley**, Hamilton
(NZ); **Robert Andrew Wade**, Hamilton
(NZ)
(73) Assignee: **GALLAGHER GROUP LIMITED**,
Melville, Hamilton (NZ)
(**) Term: **14 Years**

U.S. PATENT DOCUMENTS

76,637 A * 4/1868 Krumm, Jr. 256/22
1,897,250 A * 2/1933 Frei, Jr. 256/1
6,076,807 A * 6/2000 Spence 256/1
D432,683 S * 10/2000 Ullrich et al. D25/135

* cited by examiner

Primary Examiner — Doris Clark

(74) *Attorney, Agent, or Firm* — Greer, Burns & Crain, Ltd.

(57) **CLAIM**

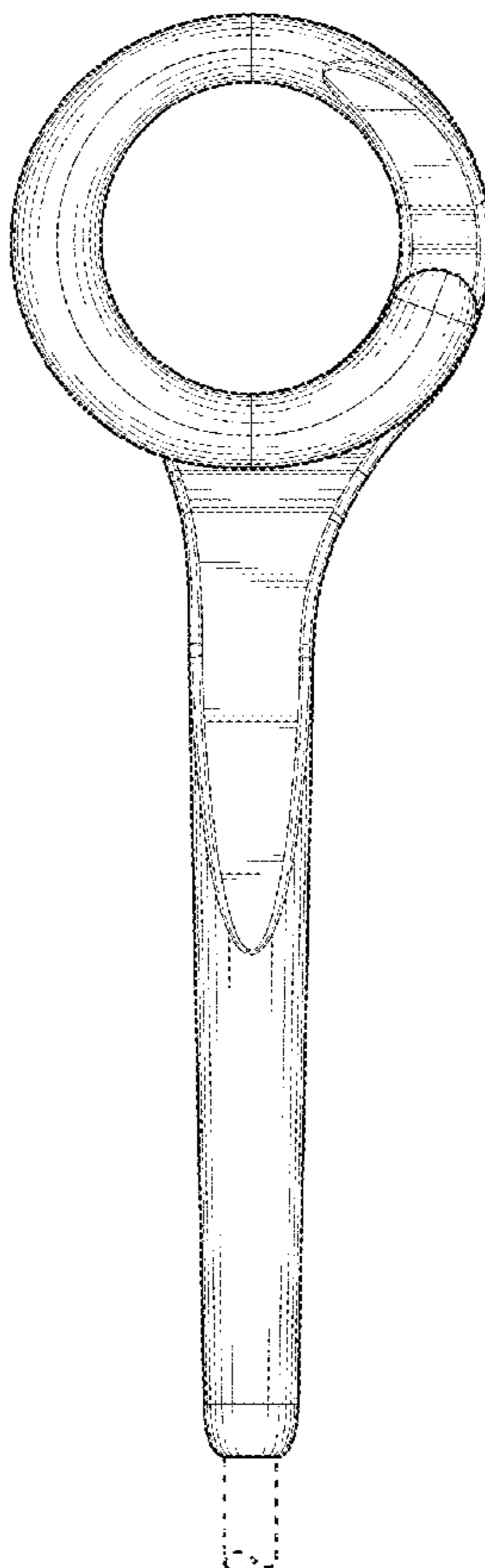
The ornamental design for a head for use in a post, as shown and described.

DESCRIPTION

(21) Appl. No.: **29/466,087**
(22) Filed: **Sep. 4, 2013**
(51) **LOC (10) Cl.** **25-01**
(52) **U.S. Cl.**
USPC **D25/135**
(58) **Field of Classification Search**
USPC D25/135; 256/59, 65.16, 19, 21, 22, 11,
256/1, 32, 34, 65.01, 4, 7
See application file for complete search history.

FIG. 1 is a front view of the present head for use in a post;
FIG. 2 is a rear view of the head for use in a post;
FIG. 3 is a left side view of the head for use in a post of FIG. 1;
FIG. 4 is a right side view of the head for use in a post;
FIG. 5 is a top view of the head for use in a post;
FIG. 6 is a bottom view of the present head for use in a post;
and,
FIG. 7 is a perspective view of the head for use in a post.
Broken lines therein are for illustrative purposes only and form no part of the claimed design.

1 Claim, 4 Drawing Sheets



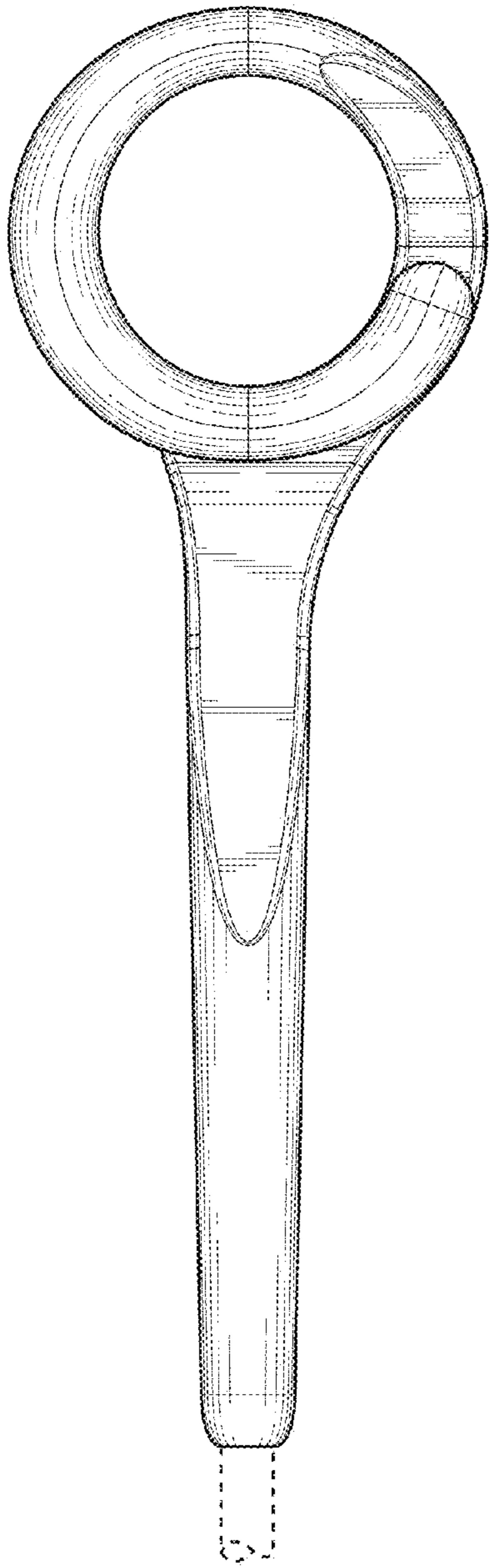


FIG. 1

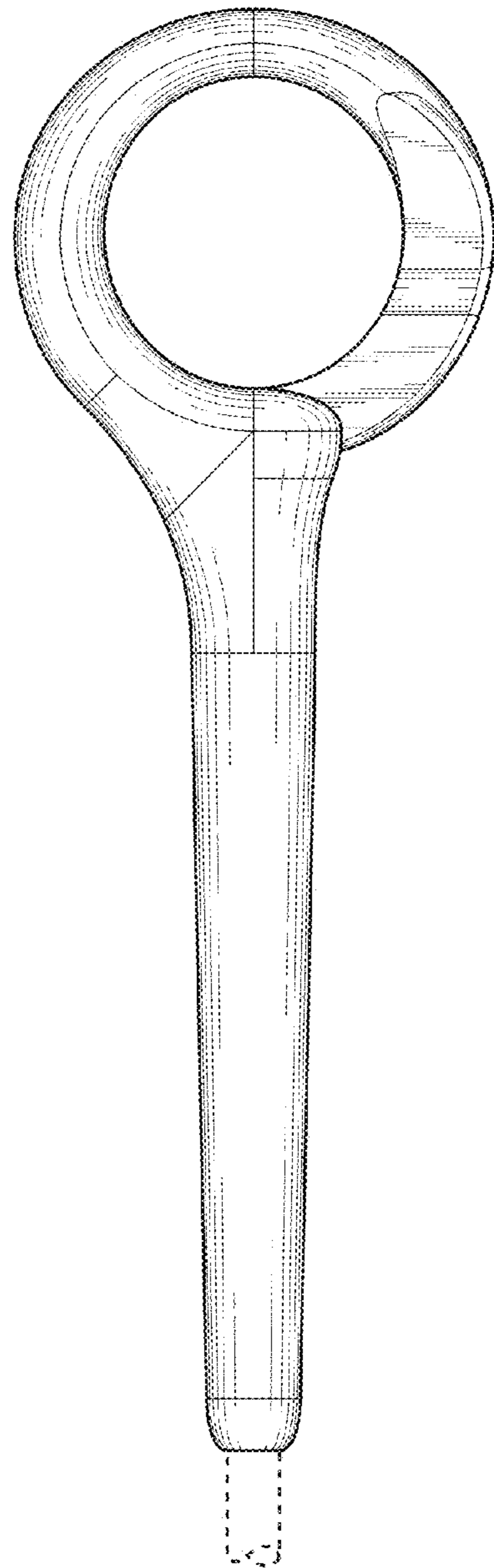


FIG. 2

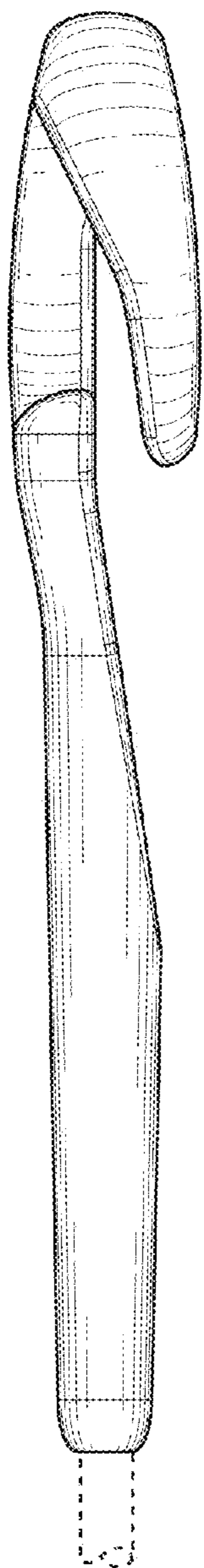


FIG. 3

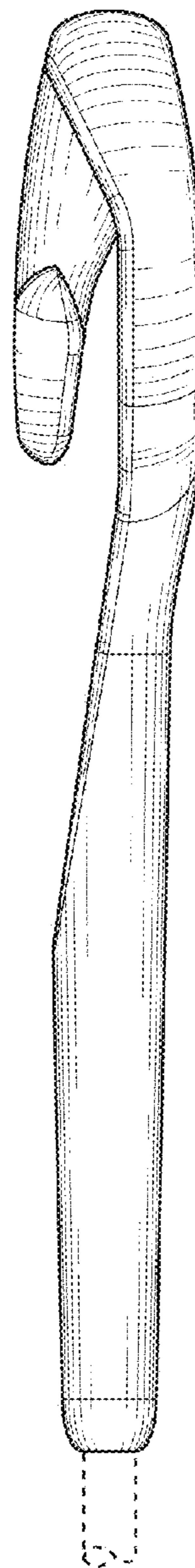


FIG. 4

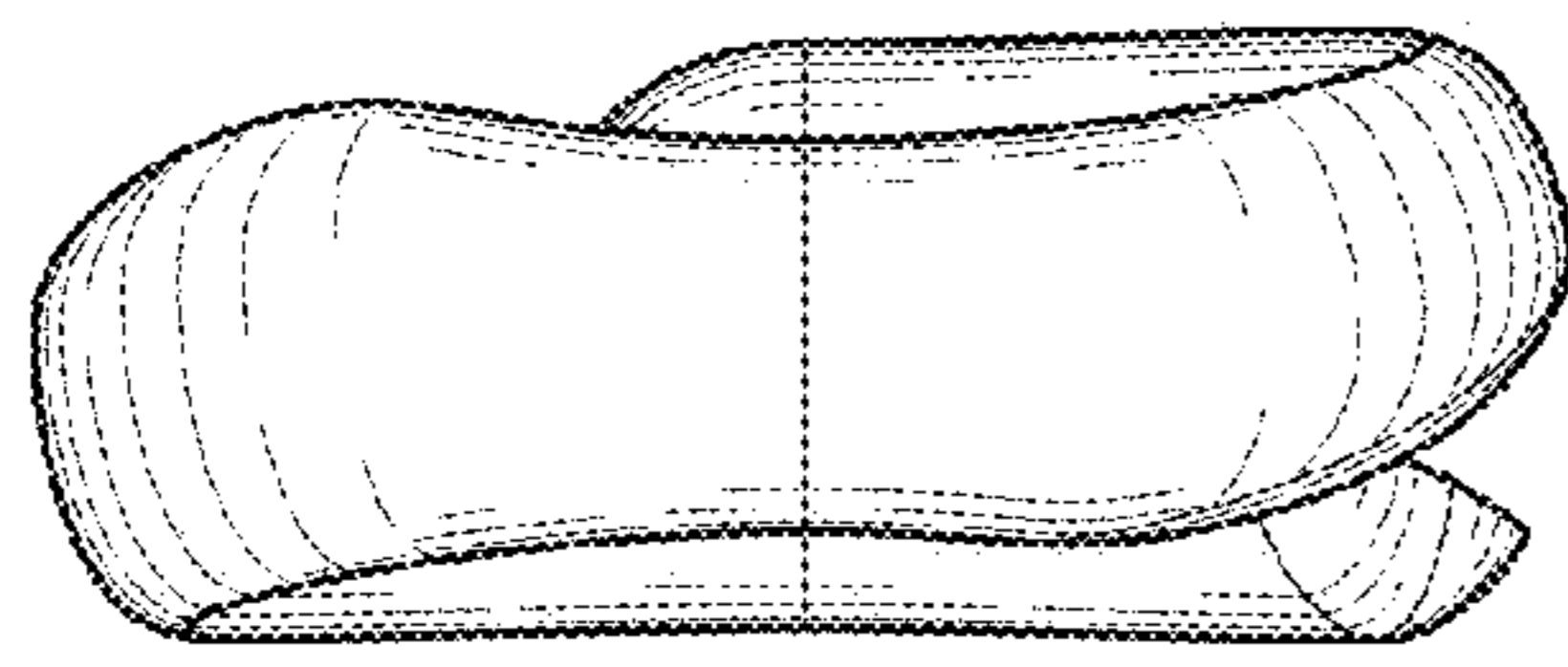


FIG. 5

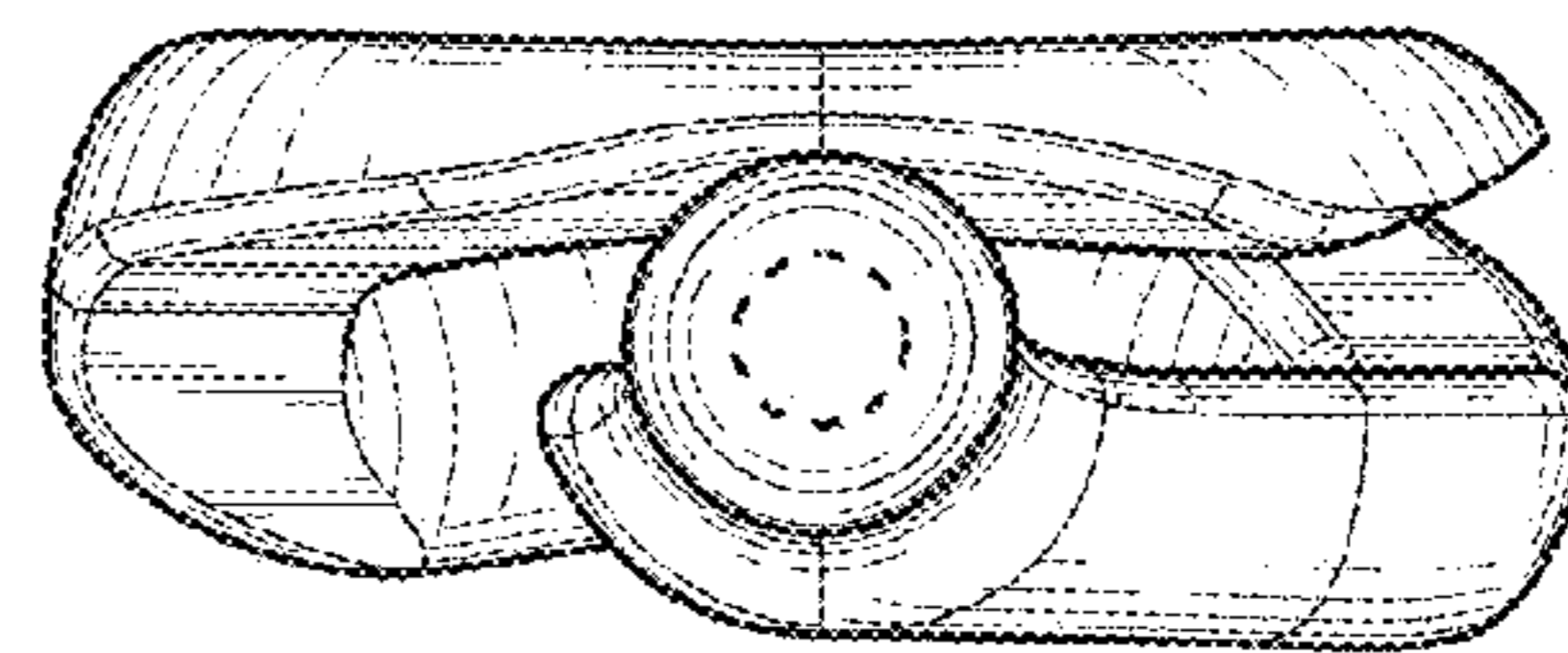


FIG. 6

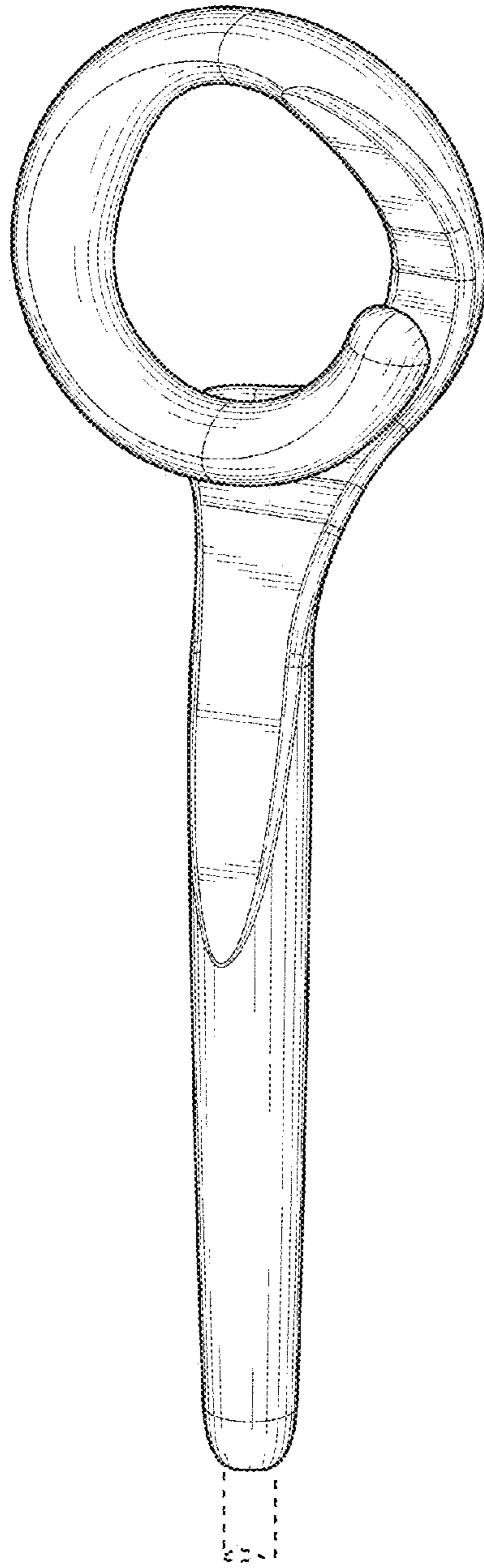


FIG. 7