



US00D734504S

(12) **United States Design Patent**
Whiteley

(10) **Patent No.:** **US D734,504 S**
(45) **Date of Patent:** **** Jul. 14, 2015**

(54) **BASE FOR A TEMPORARY BARRIER PANEL**

(71) Applicant: **Oxford Plastic Systems Limited,**
Oxfordshire (GB)

(72) Inventor: **Christopher James Whiteley,**
Buckinghamshire (GB)

(73) Assignee: **Oxford Plastic Systems Limited,**
Enstone (GB)

(**) Term: **14 Years**

(21) Appl. No.: **29/465,115**

(22) Filed: **Aug. 23, 2013**

(51) **LOC (10) Cl.** **25-01**

(52) **U.S. Cl.**
USPC **D25/133**

(58) **Field of Classification Search**
USPC D25/133; 256/65.14; 52/146, 64, 71;
404/6

See application file for complete search history.

(56) **References Cited**

U.S. PATENT DOCUMENTS

5,022,781 A * 6/1991 Smith 404/6
D625,433 S * 10/2010 Preston D25/133
D634,448 S * 3/2011 Richmond D25/133

8,579,262 B2 * 11/2013 Sadinsky et al. 256/65.14
2003/0185629 A1 * 10/2003 Yodock et al. 405/63
2007/0272911 A1 * 11/2007 Fromm 256/65.14
2008/0173606 A1 * 7/2008 Willim 212/195

* cited by examiner

Primary Examiner — Doris Clark

(74) *Attorney, Agent, or Firm* — O’Shea Getz P.C.

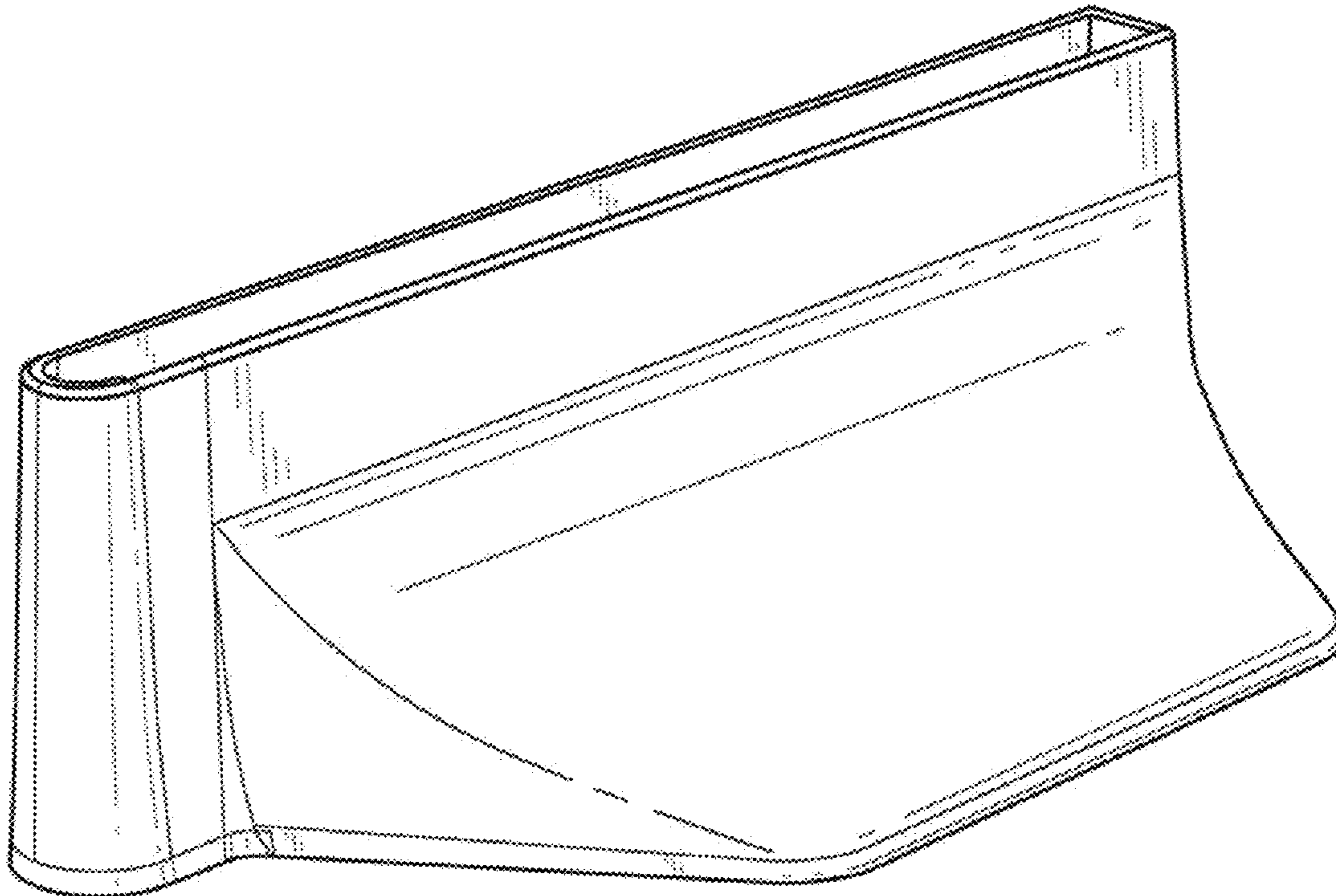
(57) **CLAIM**

I claim the ornamental design for a base for a temporary barrier panel, as shown and described.

DESCRIPTION

FIG. 1 is a perspective view of a base for a temporary barrier panel, showing the front, the top, and the first side of the base; FIG. 2 is a perspective view of the base, showing the front, the bottom, and the first side of the base; FIG. 3 is a perspective view of the base, showing the rear, the top, and the first side of the base; FIG. 4 is a perspective view of the base, showing the rear, the bottom, and the first side of the base; FIG. 5 is an elevation view of the base, showing the first side of the base; FIG. 6 is an elevation view of the base, showing the second side of the base; and, FIG. 7 is a plan view of the base, showing the top of the base.

1 Claim, 7 Drawing Sheets



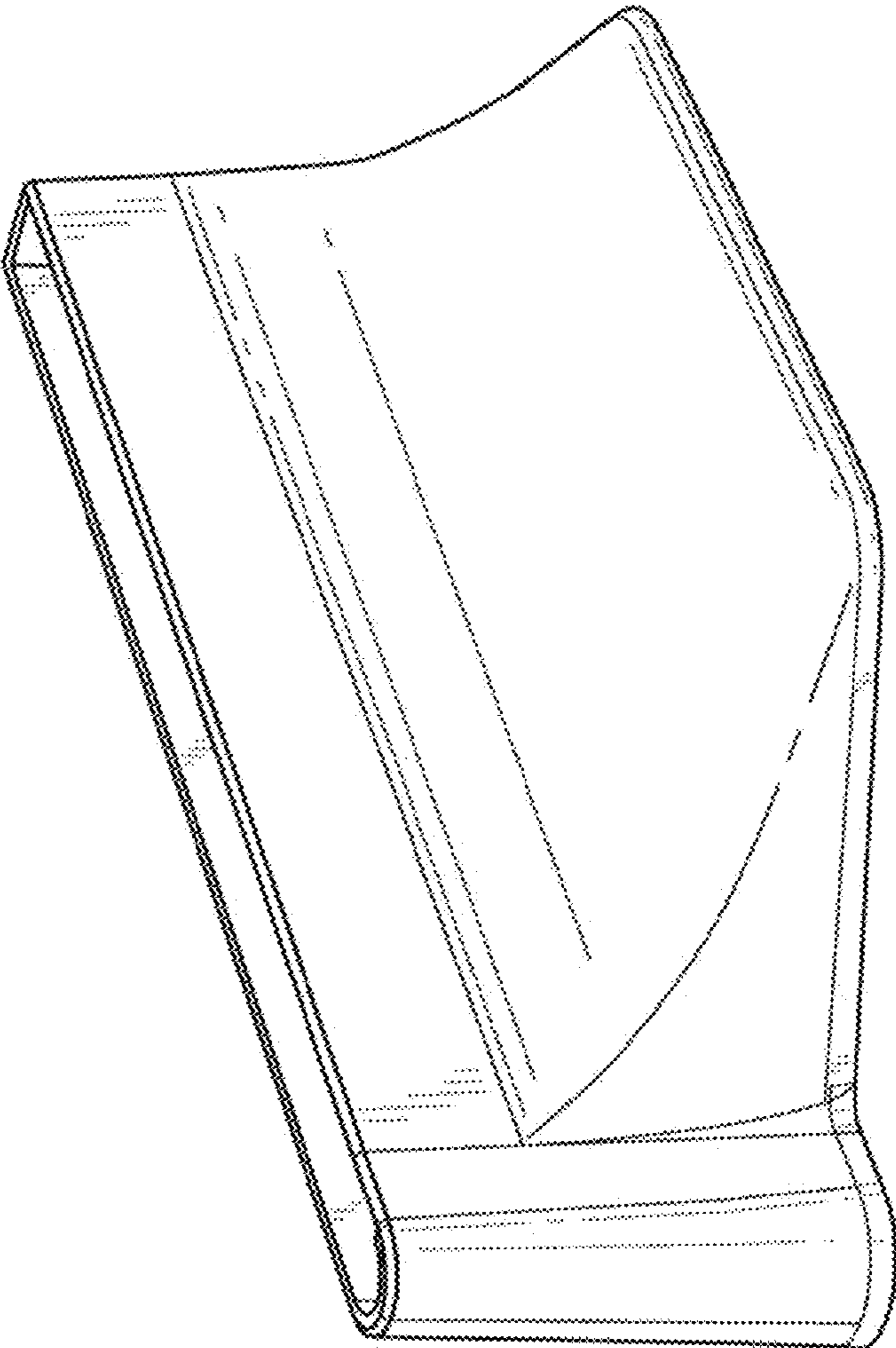


FIG. 1

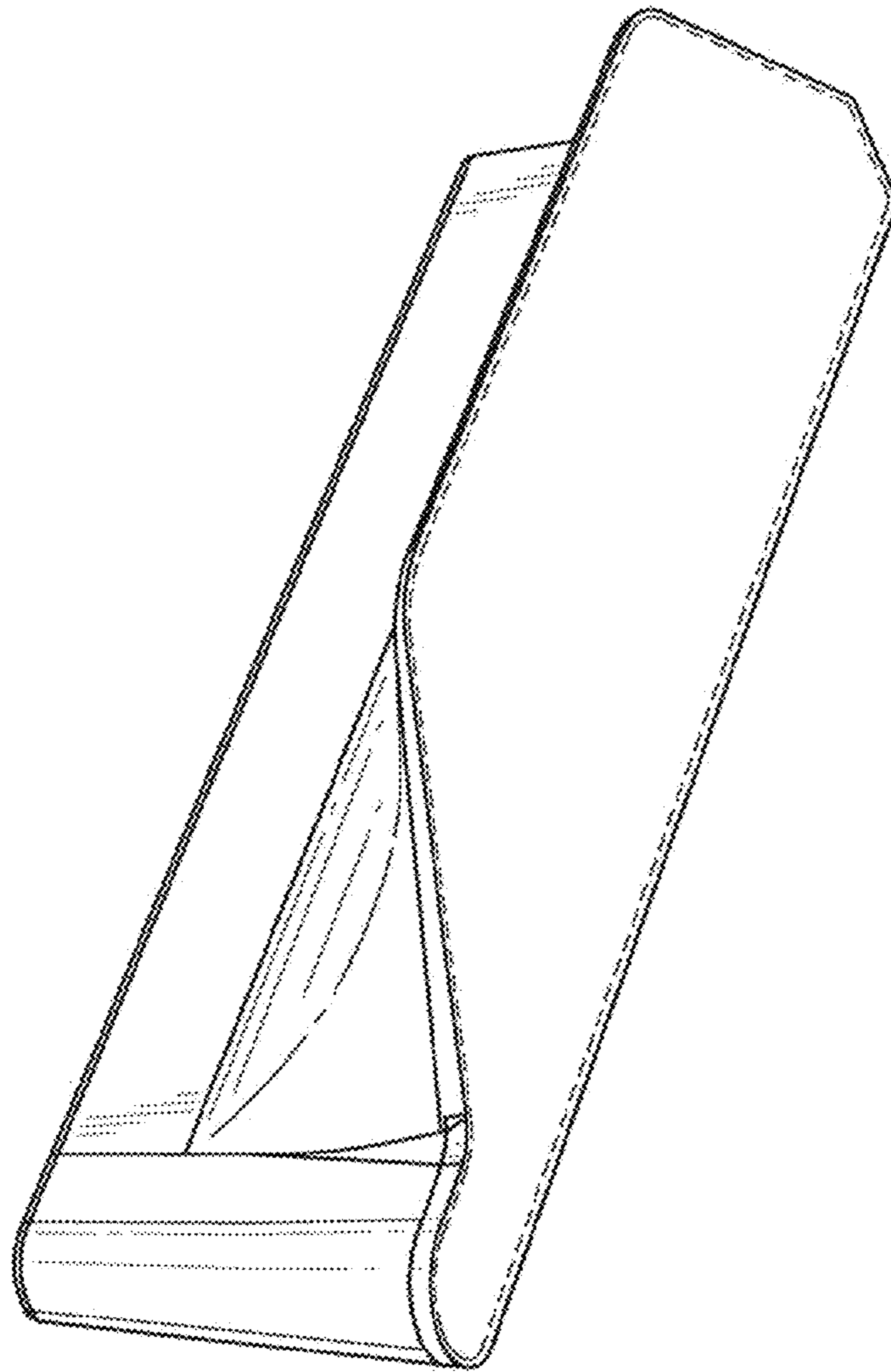


FIG. 2

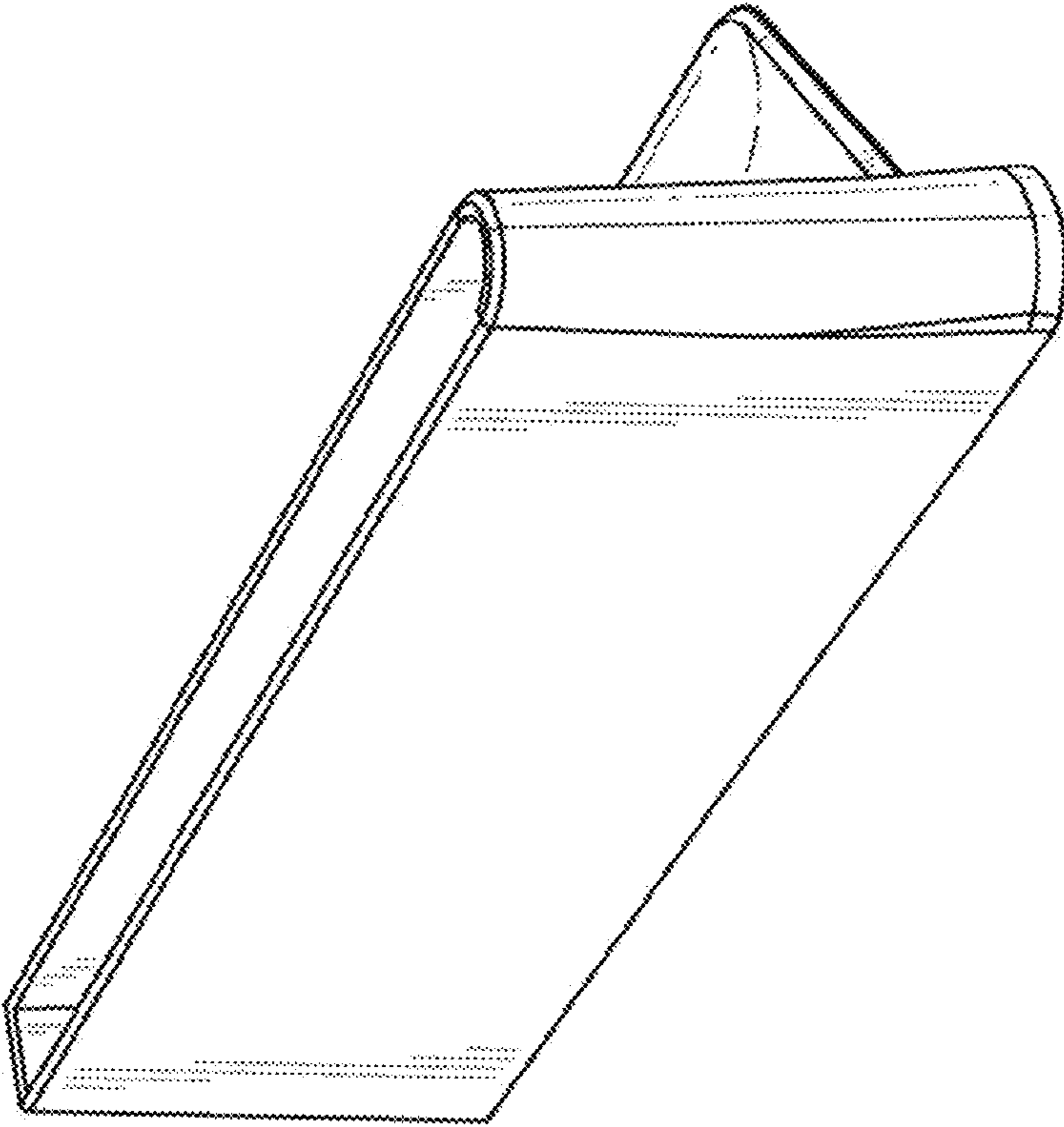


FIG. 3

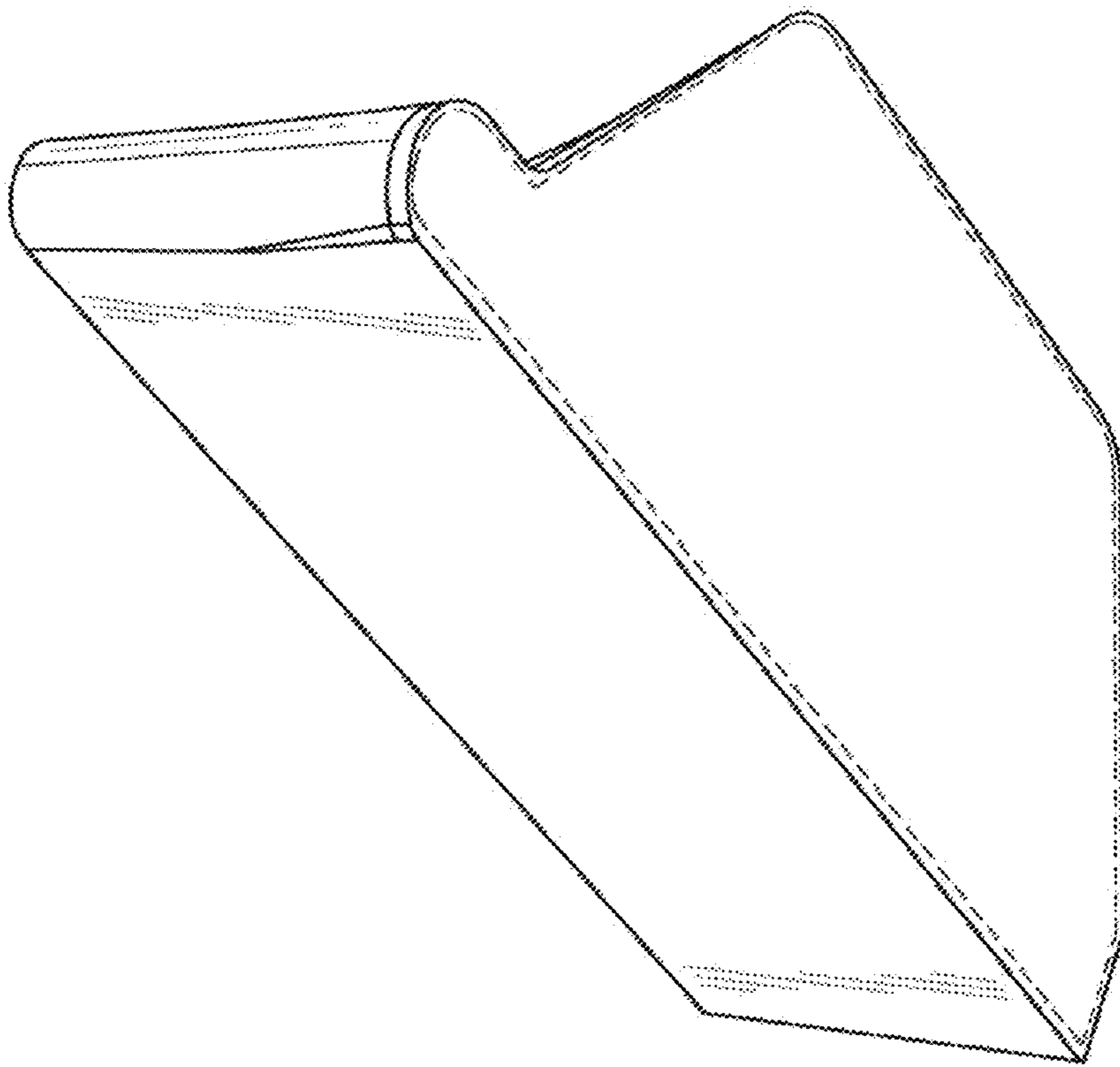


FIG. 4

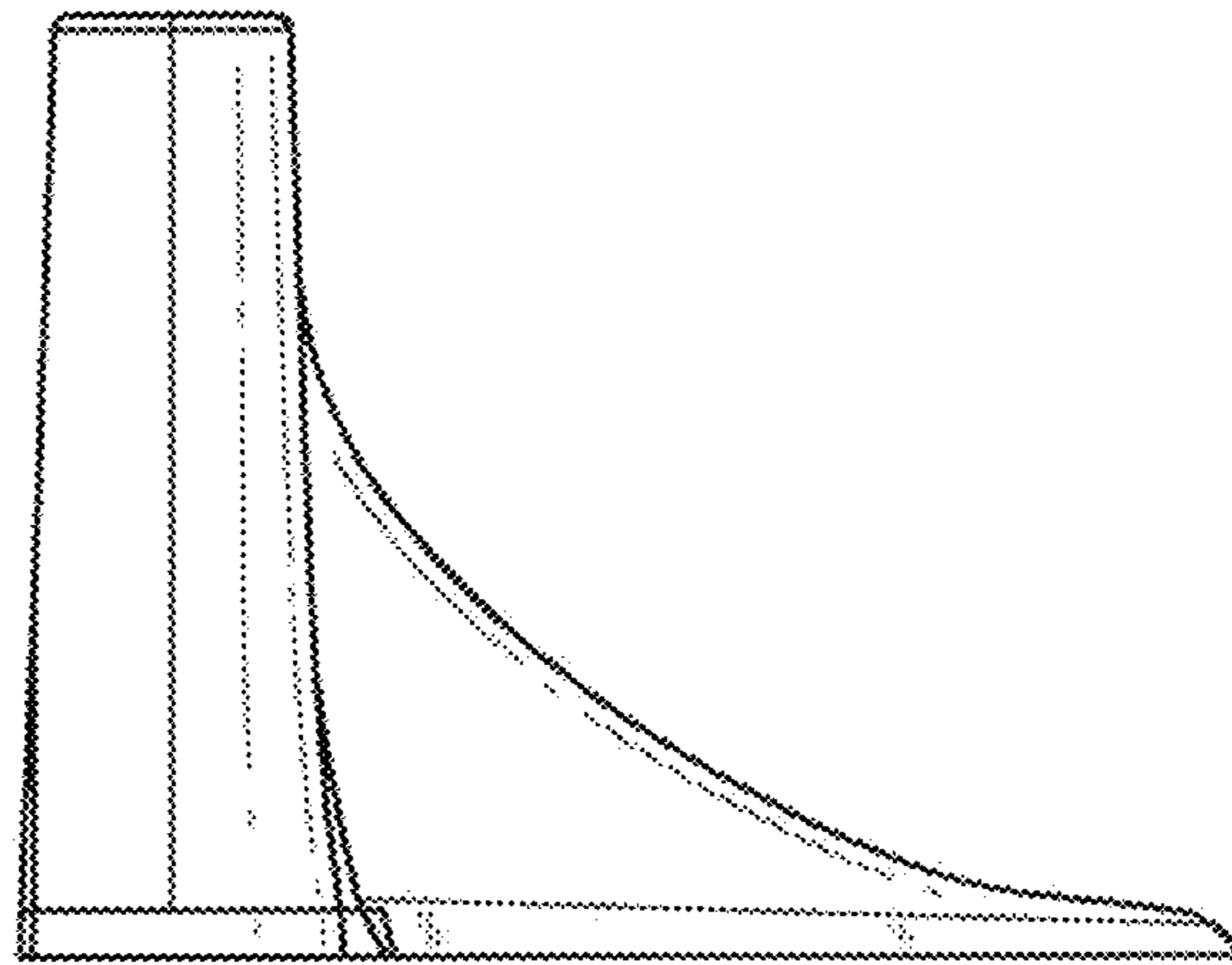


FIG. 5

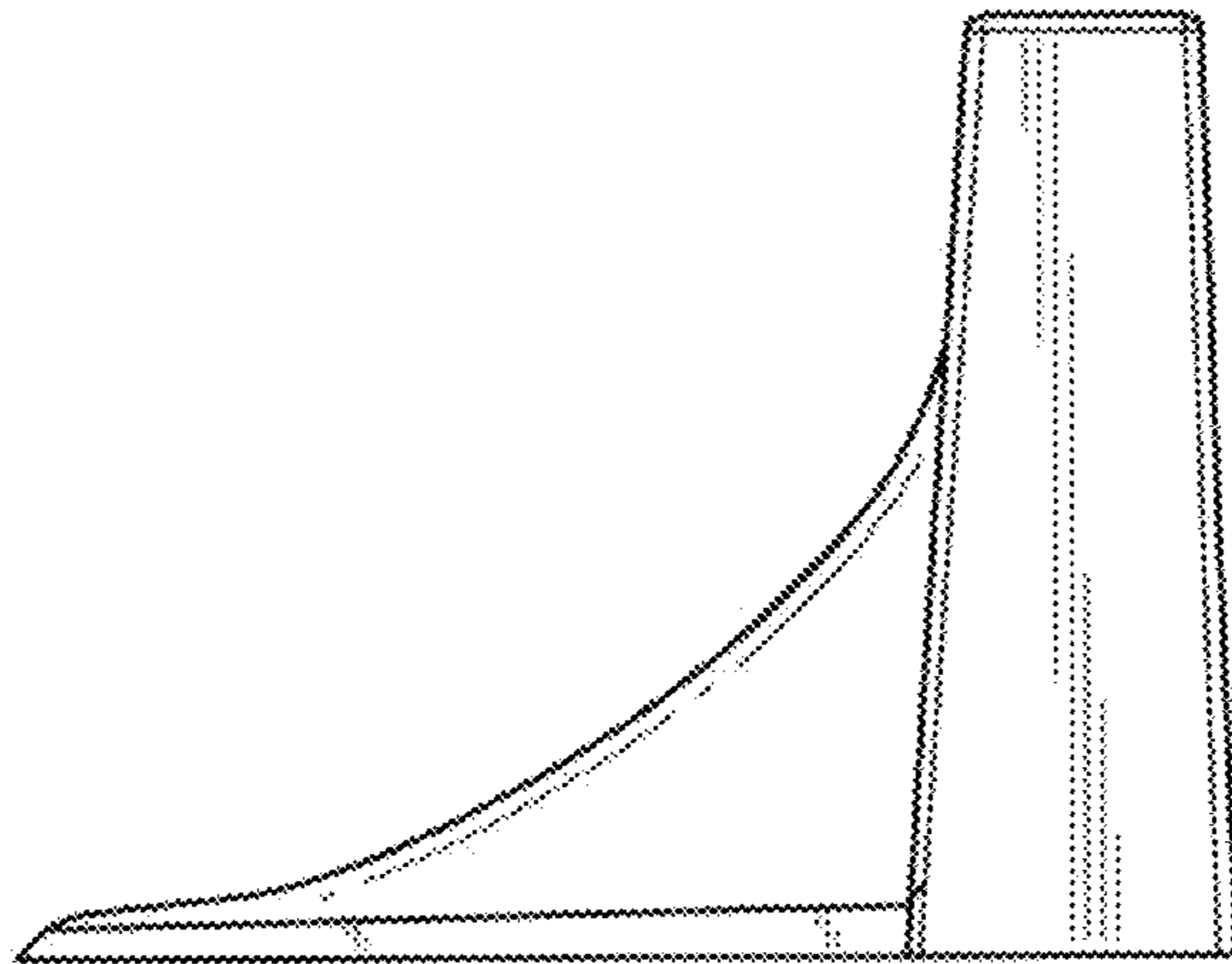


FIG. 6

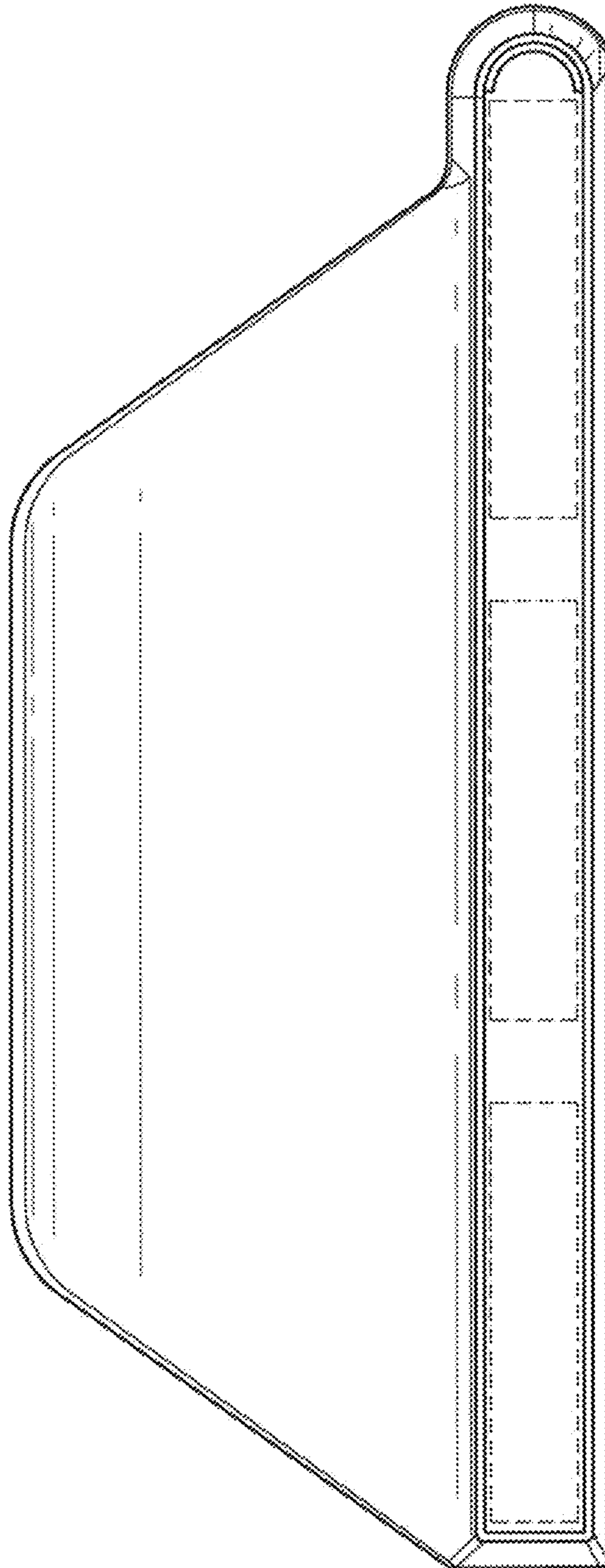


FIG. 7