



US00D734502S

(12) **United States Design Patent**
Bodwell et al.

(10) **Patent No.:** **US D734,502 S**
(45) **Date of Patent:** **** Jul. 14, 2015**

- (54) **WALL PANEL**
- (71) Applicant: **ASC Profiles LLC**, West Sacramento, CA (US)
- (72) Inventors: **Patrick A. Bodwell**, Auburn, CA (US);
Richard J. King, Sacramento, CA (US)
- (73) Assignee: **ASC Profiles LLC**, West Sacramento, CA (US)
- (**) Term: **14 Years**
- (21) Appl. No.: **29/511,201**
- (22) Filed: **Dec. 8, 2014**

- D677,404 S 3/2013 Griffiths
- D679,834 S 4/2013 Griffiths
- D687,976 S 8/2013 Griffiths
- D687,977 S 8/2013 Griffiths
- D690,442 S 9/2013 Griffiths
- D690,838 S 10/2013 Griffiths
- D698,046 S 1/2014 Griffiths
- D698,944 S 2/2014 Griffiths
- D698,946 S 2/2014 Griffiths
- D698,947 S 2/2014 Griffiths

(Continued)

Primary Examiner — Doris Clark
(74) *Attorney, Agent, or Firm* — Lathrop & Gage LLP

(57) **CLAIM**

The ornamental design for a wall panel, as shown and described.

Related U.S. Application Data

- (63) Continuation of application No. 29/504,038, filed on Oct. 1, 2014, now abandoned.
- (51) **LOC (10) Cl.** **25-01**
- (52) **U.S. Cl.**
USPC **D25/119; D25/141**
- (58) **Field of Classification Search**
USPC D25/141, 119; 52/588.1, 478, 537, 235,
52/309.14, 518, 555, 474
See application file for complete search history.

DESCRIPTION

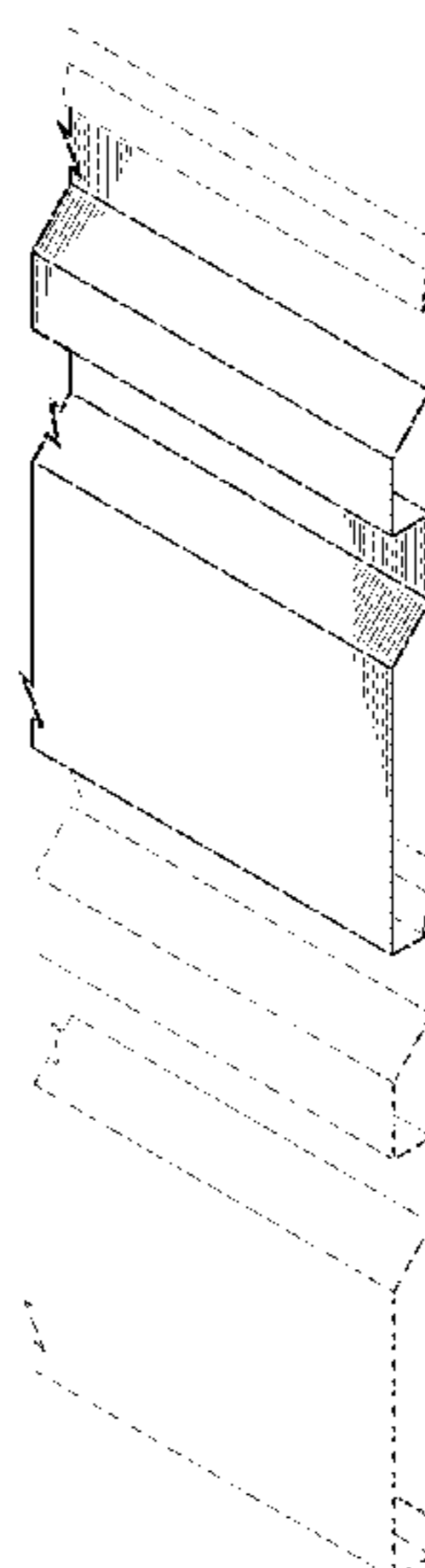
FIG. 1 is a perspective view of a wall panel illustrating our new design;
 FIG. 2 is a front elevation view thereof;
 FIG. 3 is a right side elevation view thereof;
 FIG. 4 is a rear elevation view thereof;
 FIG. 5 is a top plan view thereof;
 FIG. 6 is a bottom plan view thereof;
 FIG. 7 is a perspective view of two wall panels interengaged with one another;
 FIG. 8 is a perspective view of a second embodiment of our new design;
 FIG. 9 is a front elevation view thereof;
 FIG. 10 is a right side elevation view thereof;
 FIG. 11 is a rear elevation view thereof;
 FIG. 12 is a top plan view thereof;
 FIG. 13 is a bottom plan view thereof; and,
 FIG. 14 is a perspective view of two wall panels interengaged with one another.
 The broken lines are for illustrative purposes only and form no part of the claimed design. The claimed design is broken on one side to indicate indefinite length.

(56) **References Cited**

U.S. PATENT DOCUMENTS

- 3,596,420 A * 8/1971 Ducker 52/169.12
- D426,321 S 6/2000 Lockwood
- D527,834 S 9/2006 Thimons et al.
- D538,948 S 3/2007 Thimons et al.
- D667,963 S 9/2012 Griffiths
- D668,353 S 10/2012 Griffiths
- D668,354 S 10/2012 Griffiths
- D668,356 S 10/2012 Griffiths
- D668,357 S 10/2012 Griffiths
- D677,401 S 3/2013 Griffiths
- D677,402 S 3/2013 Griffiths
- D677,403 S 3/2013 Griffiths

1 Claim, 12 Drawing Sheets



US D734,502 S

Page 2

(56)

References Cited

U.S. PATENT DOCUMENTS

D700,364 S 2/2014 Griffiths
D700,365 S 2/2014 Griffiths

D700,366 S 2/2014 Griffiths
D713,978 S 9/2014 Zombek
2004/0003566 A1* 1/2004 Sicuranza 52/518

* cited by examiner

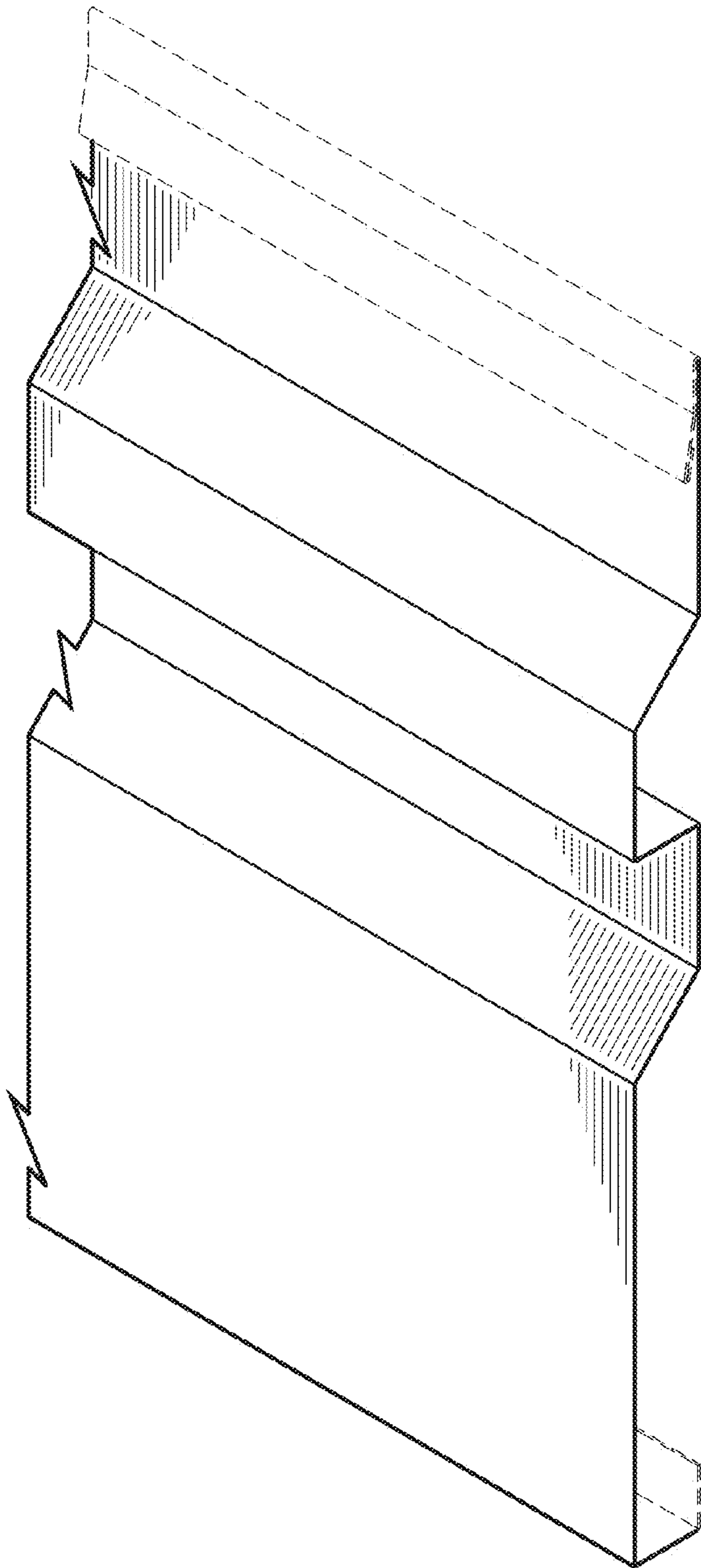


Fig. 1

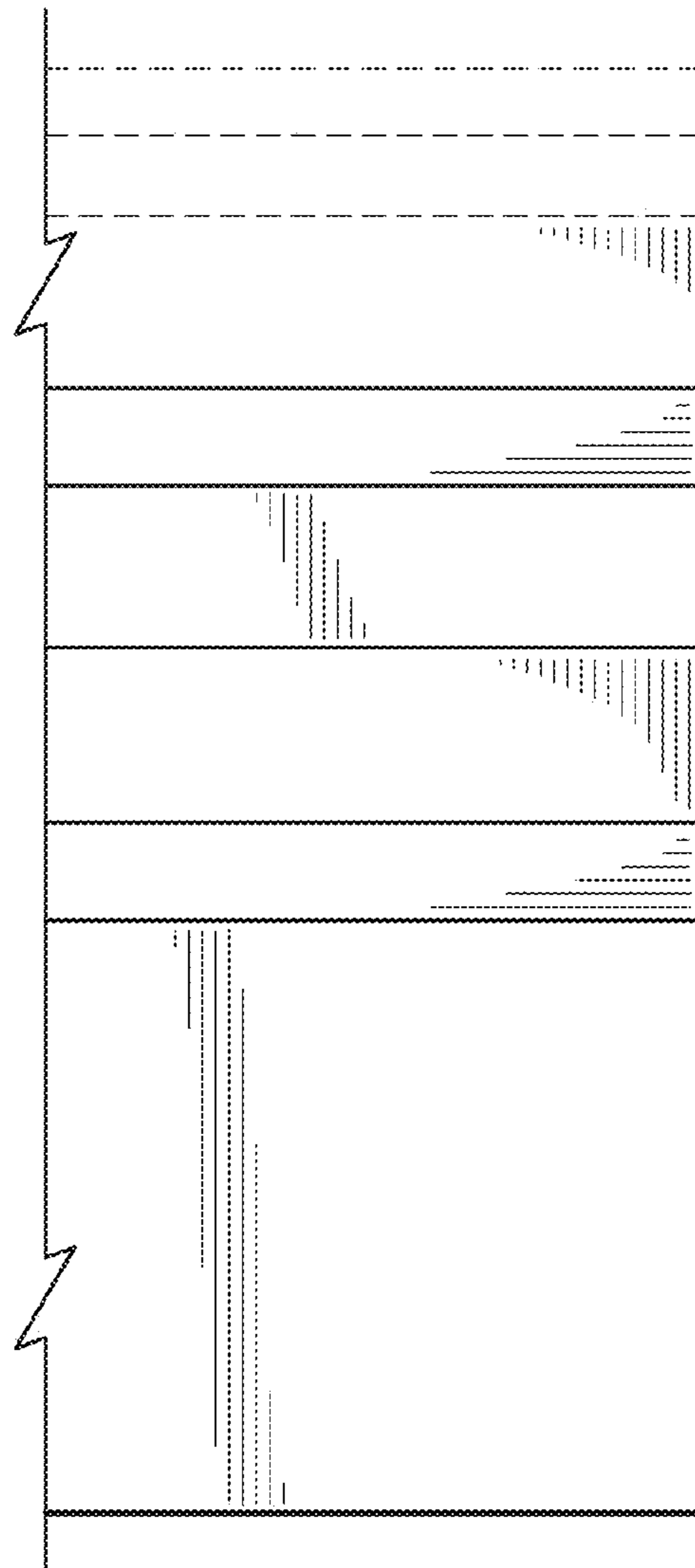


Fig. 2



Fig. 3

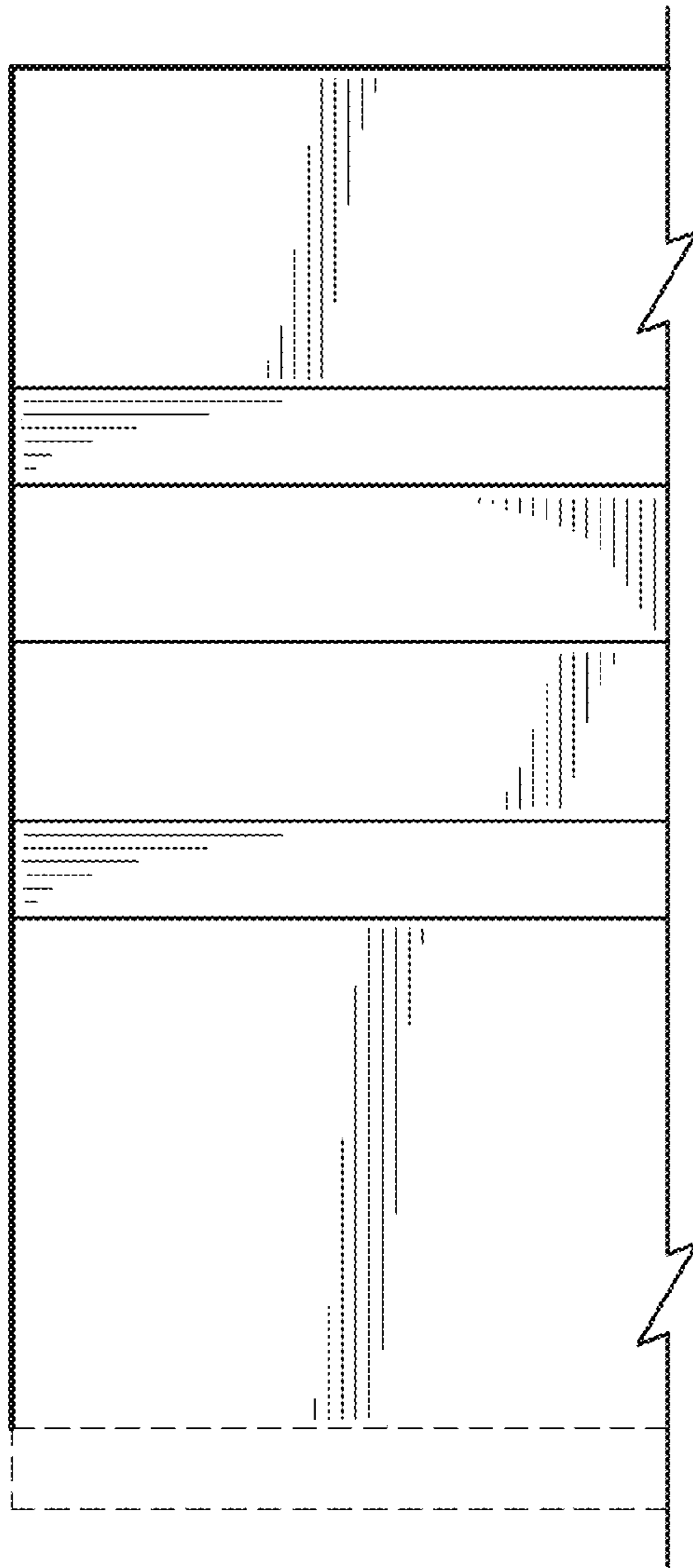


Fig. 4

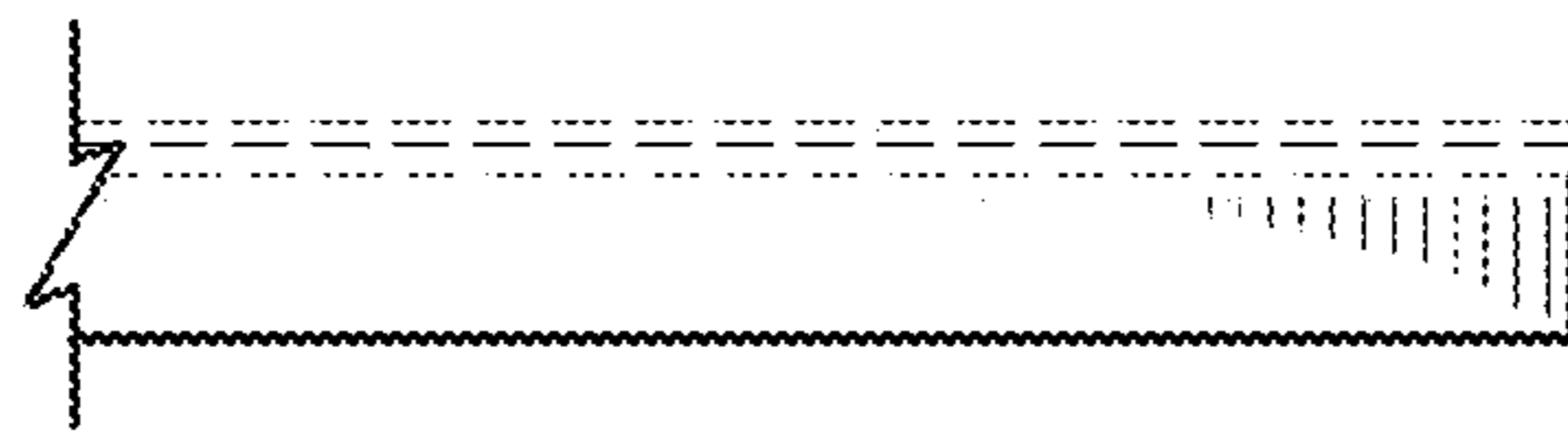


Fig. 5

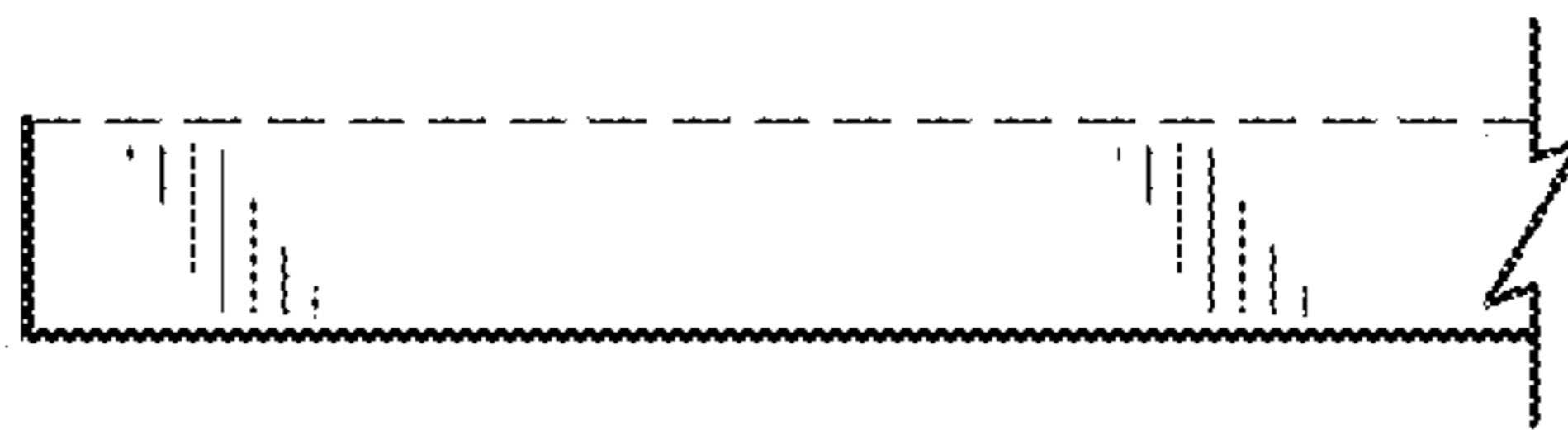


Fig. 6

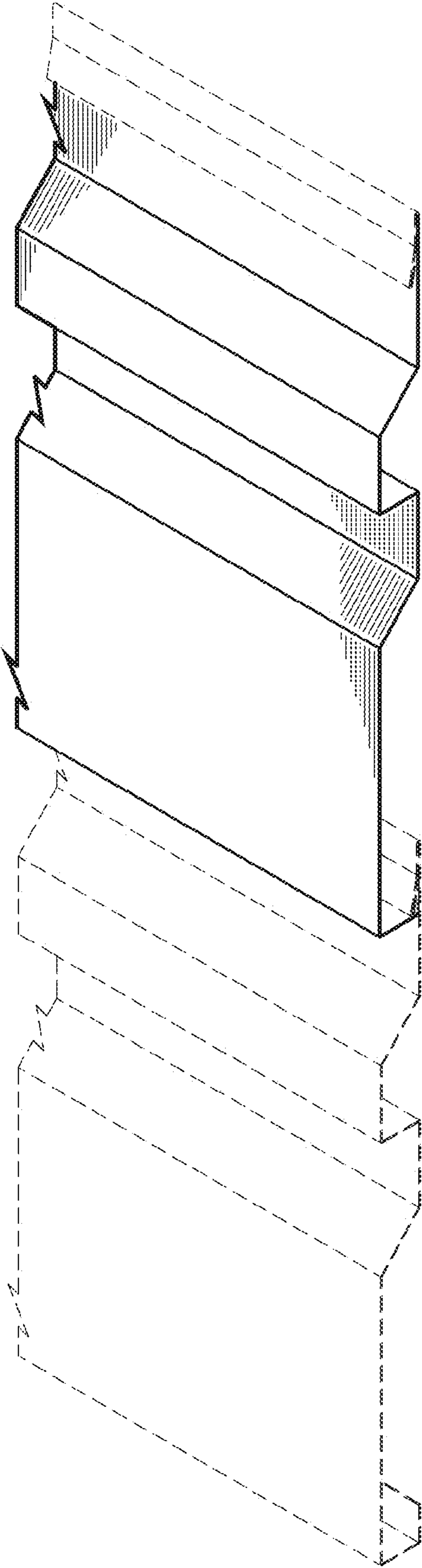


Fig. 7

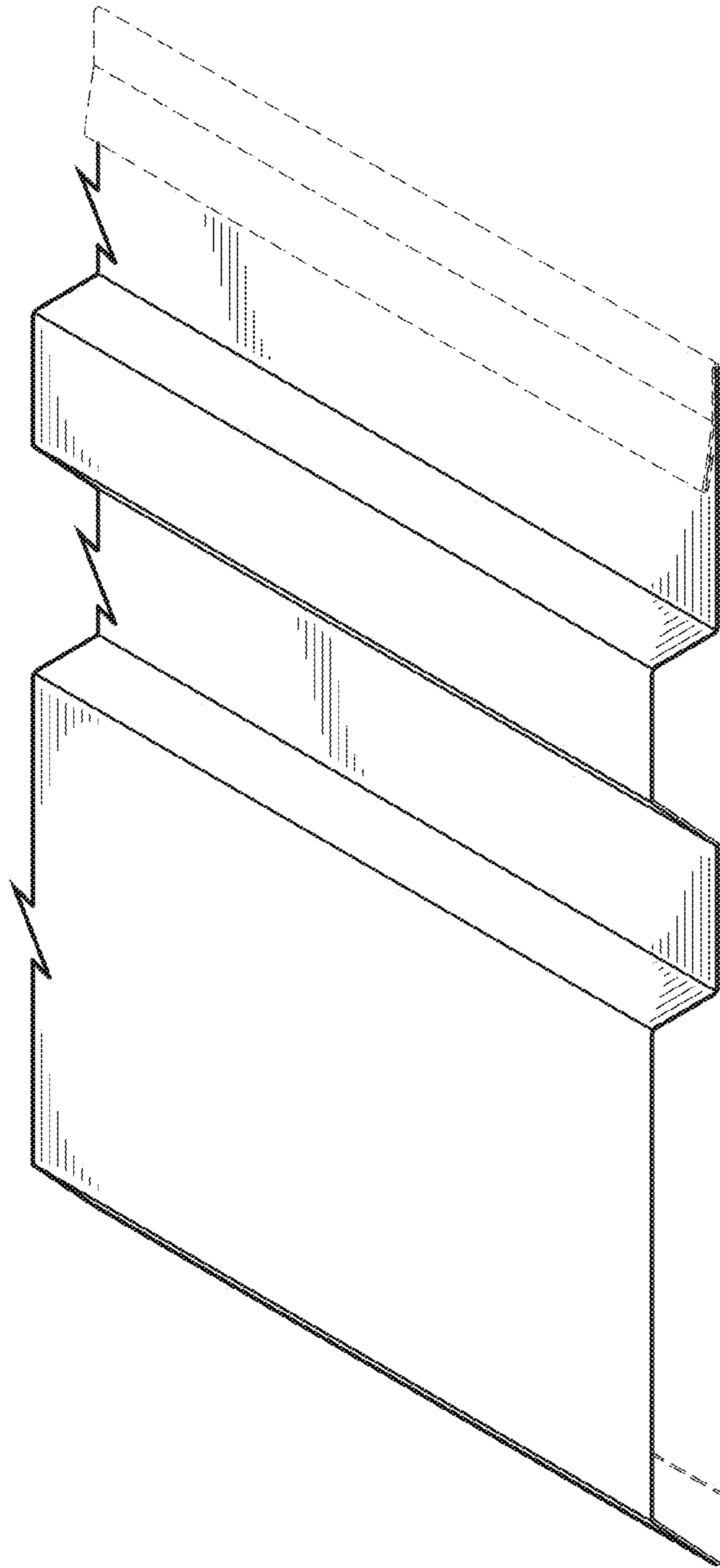


Fig. 8

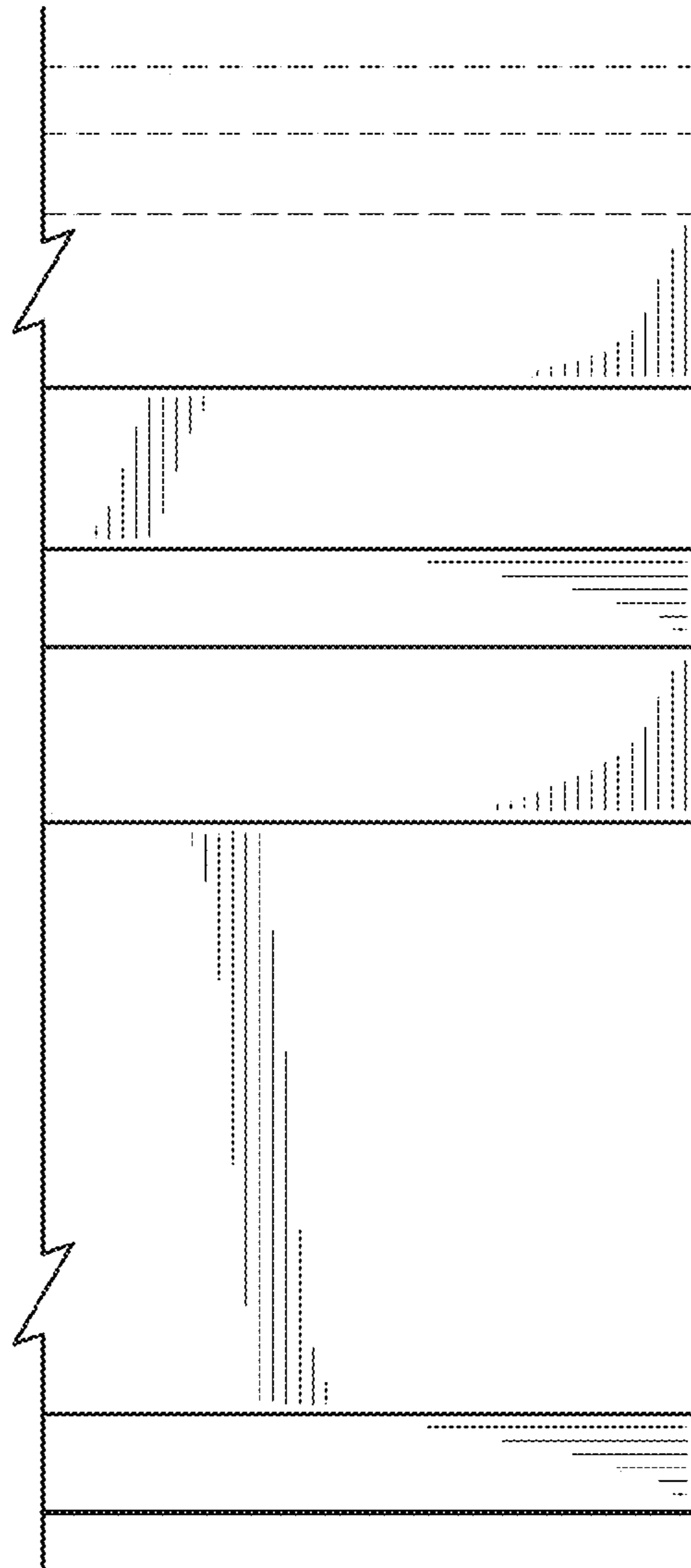


Fig. 9

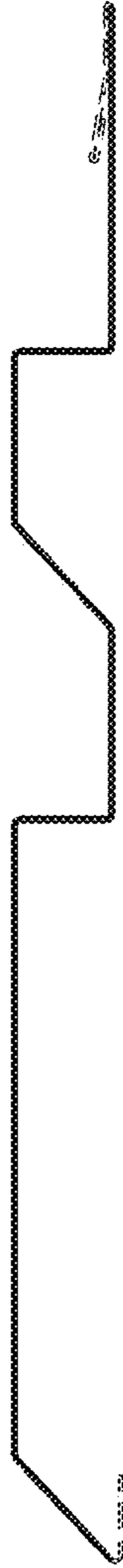


Fig. 10

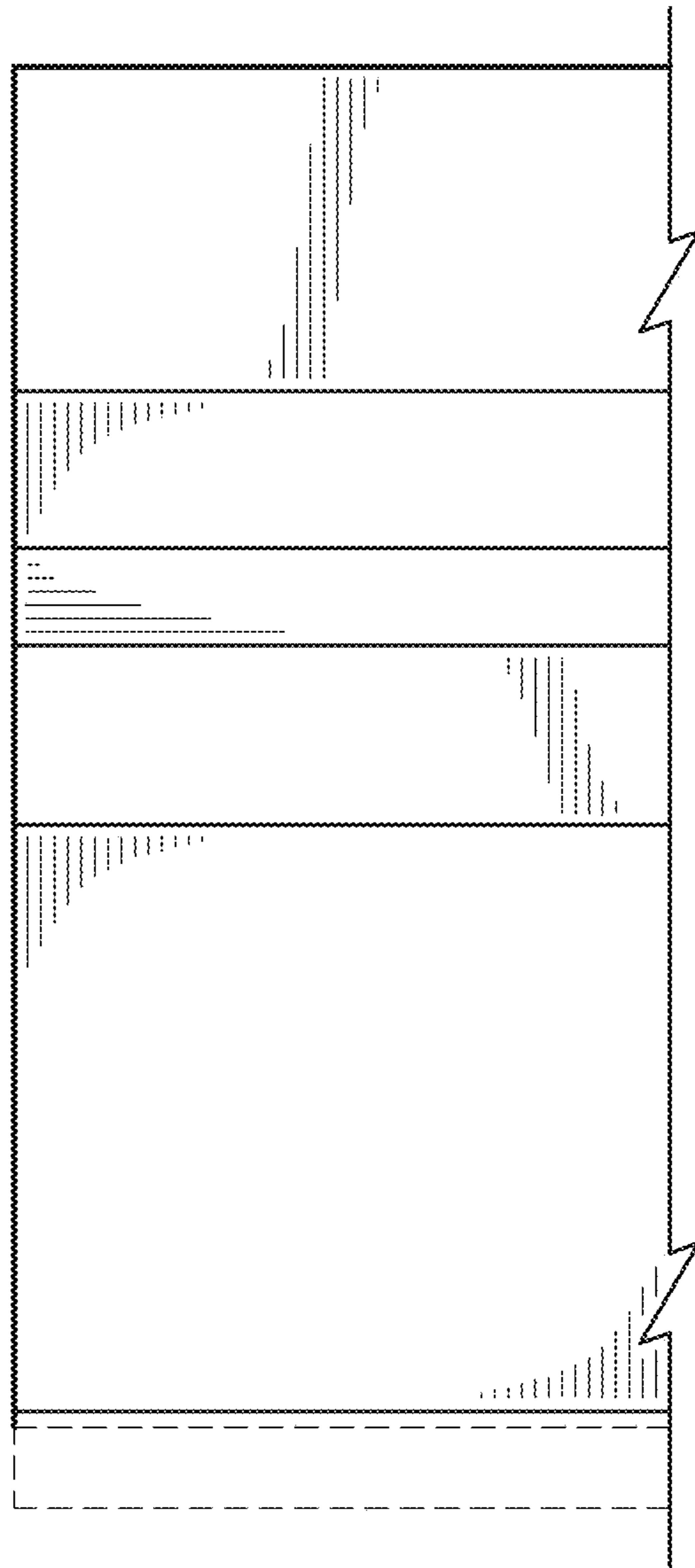


Fig. 11

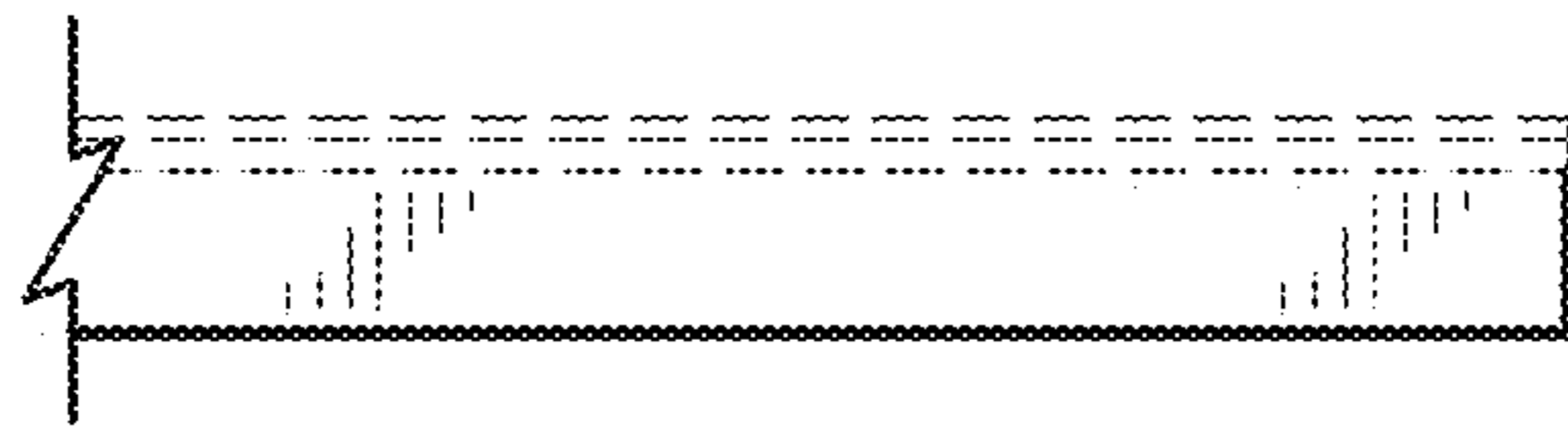


Fig. 12

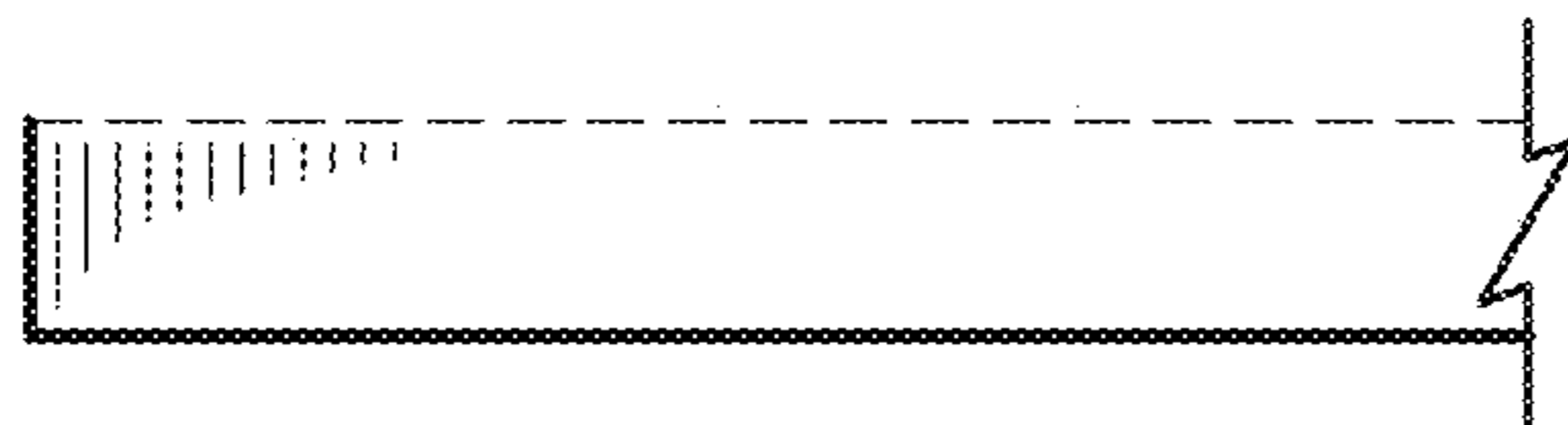


Fig. 13

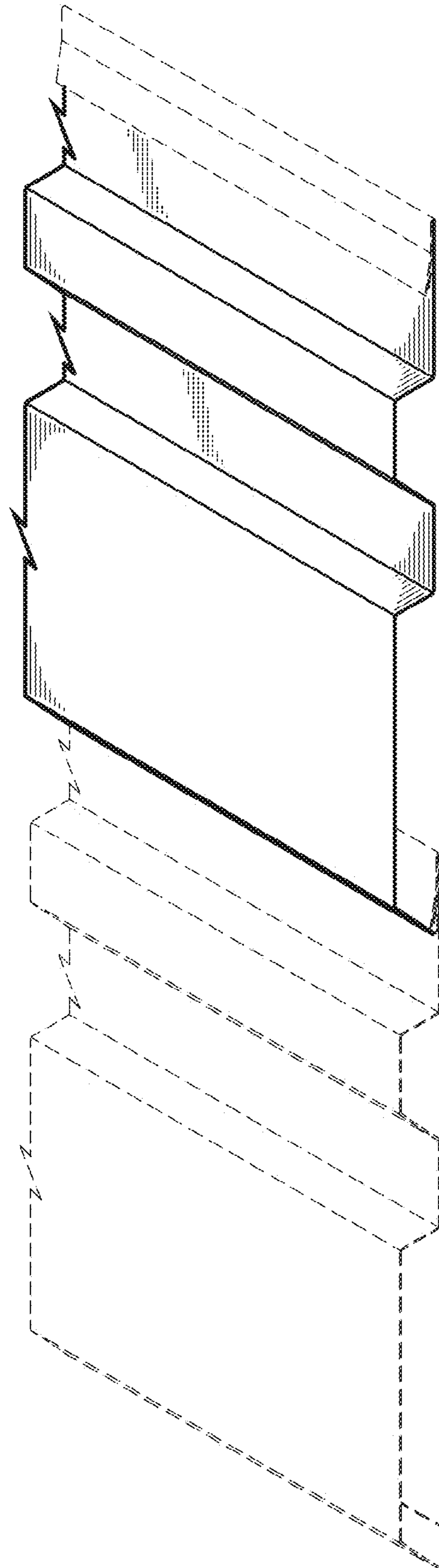


Fig. 14