



US00D734500S

(12) **United States Design Patent**  
**Green**

(10) **Patent No.:** **US D734,500 S**

(45) **Date of Patent:** **\*\* Jul. 14, 2015**

- (54) **LADDER TOWING APPARATUS**
- (71) Applicant: **LOCK N CLIMB, LLC**, Bartlesville, OK (US)
- (72) Inventor: **Jeffrey Alan Green**, Bartlesville, OK (US)
- (73) Assignee: **LOCK N CLIMB, LLC**, Bartlesville, OK (US)
- (\*\*) Term: **14 Years**
- (21) Appl. No.: **29/466,542**
- (22) Filed: **Sep. 9, 2013**
- (51) **LOC (10) Cl.** ..... **25-04**
- (52) **U.S. Cl.**  
USPC ..... **D25/68**
- (58) **Field of Classification Search**  
USPC ..... D25/68, 69, 62; 224/264, 255; 182/129, 182/107, 108, 109; 248/682, 690, 210  
See application file for complete search history.

5,899,296	A *	5/1999	Lantz	.....	182/214
6,450,290	B1	9/2002	Spak		
D485,369	S	1/2004	Ranagan et al.		
D576,290	S	9/2008	Meyers et al.		
D610,709	S	2/2010	Lamb		
7,762,510	B2 *	7/2010	Eller	.....	248/309.1
7,849,963	B1 *	12/2010	D'Agostino	.....	182/129
8,579,345	B2 *	11/2013	LeClaire et al.	.....	294/151
D715,458	S *	10/2014	Collins	.....	D25/68
2007/0227817	A1 *	10/2007	Myers	.....	182/129
2008/0142299	A1 *	6/2008	Berkbuegler	.....	182/108

\* cited by examiner

*Primary Examiner* — Doris Clark

(74) *Attorney, Agent, or Firm* — Katten Muchin Rosenman LLP

(57) **CLAIM**

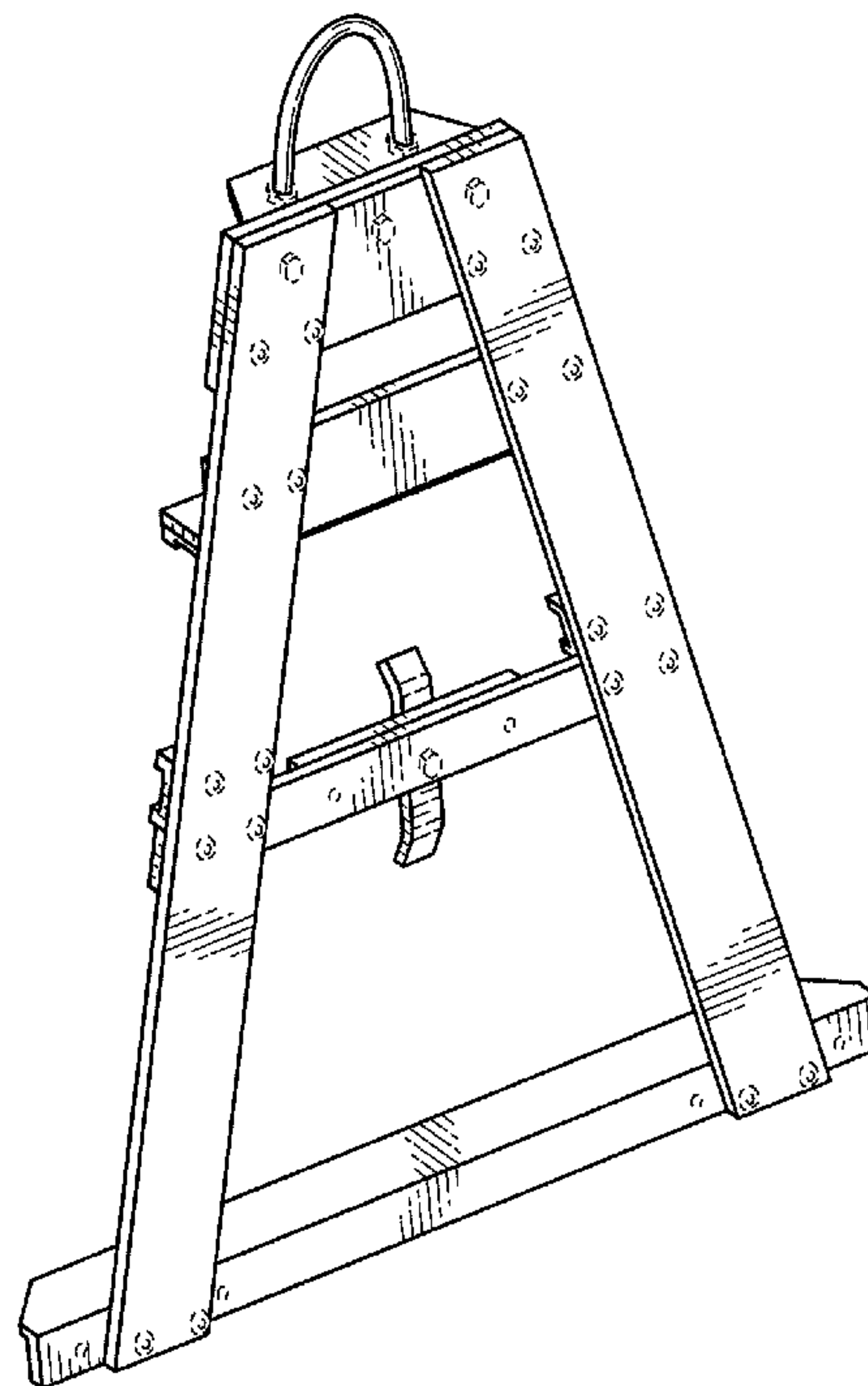
The ornamental design for the ladder towing apparatus, as shown and described.

**DESCRIPTION**

FIG. 1 is a front perspective view of a ladder towing apparatus of the present invention;  
 FIG. 2 is a frontal view of the ladder towing apparatus;  
 FIG. 3 is a rear view of the ladder towing apparatus;  
 FIG. 4 is a first side view of the ladder towing apparatus;  
 FIG. 5 is a second side view of the ladder towing apparatus;  
 FIG. 6 is a top view of the ladder towing apparatus; and,  
 FIG. 7 is a bottom view of the ladder towing apparatus.  
 The broken lines shown in the views are for illustrative purposes only and form no part of the claimed design.

**1 Claim, 3 Drawing Sheets**

- (56) **References Cited**  
U.S. PATENT DOCUMENTS
- 3,768,592 A 10/1973 Higgins
- 4,569,419 A 2/1986 Stoltz
- D295,222 S 4/1988 Rudolph
- 5,112,043 A 5/1992 Gofillian, Jr.
- 5,195,610 A 3/1993 Chang
- 5,370,204 A 12/1994 Fox
- D359,366 S 6/1995 Spevak
- 5,752,581 A 5/1998 Orchowski
- D401,354 S \* 11/1998 LaValle ..... D25/68



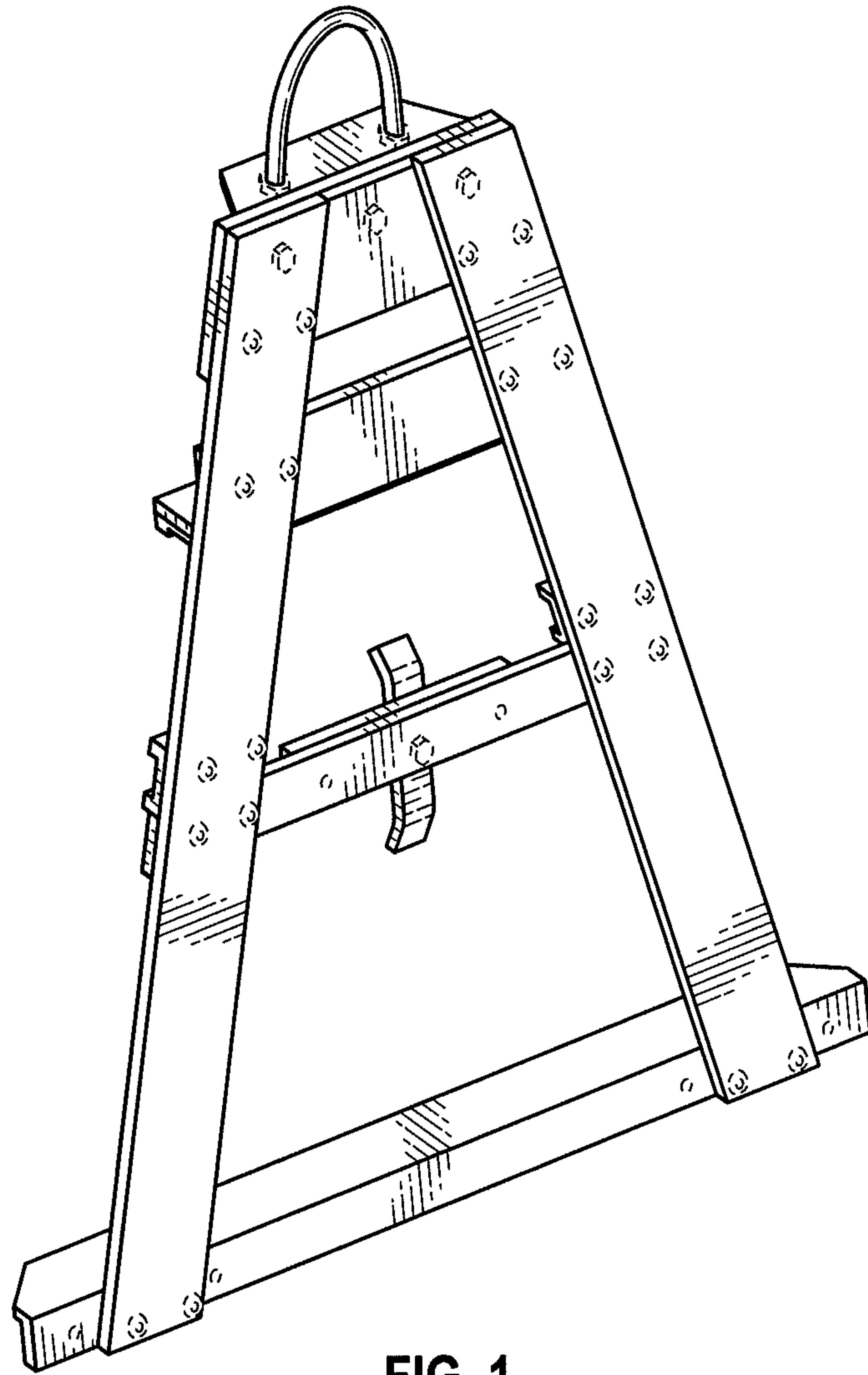


FIG. 1

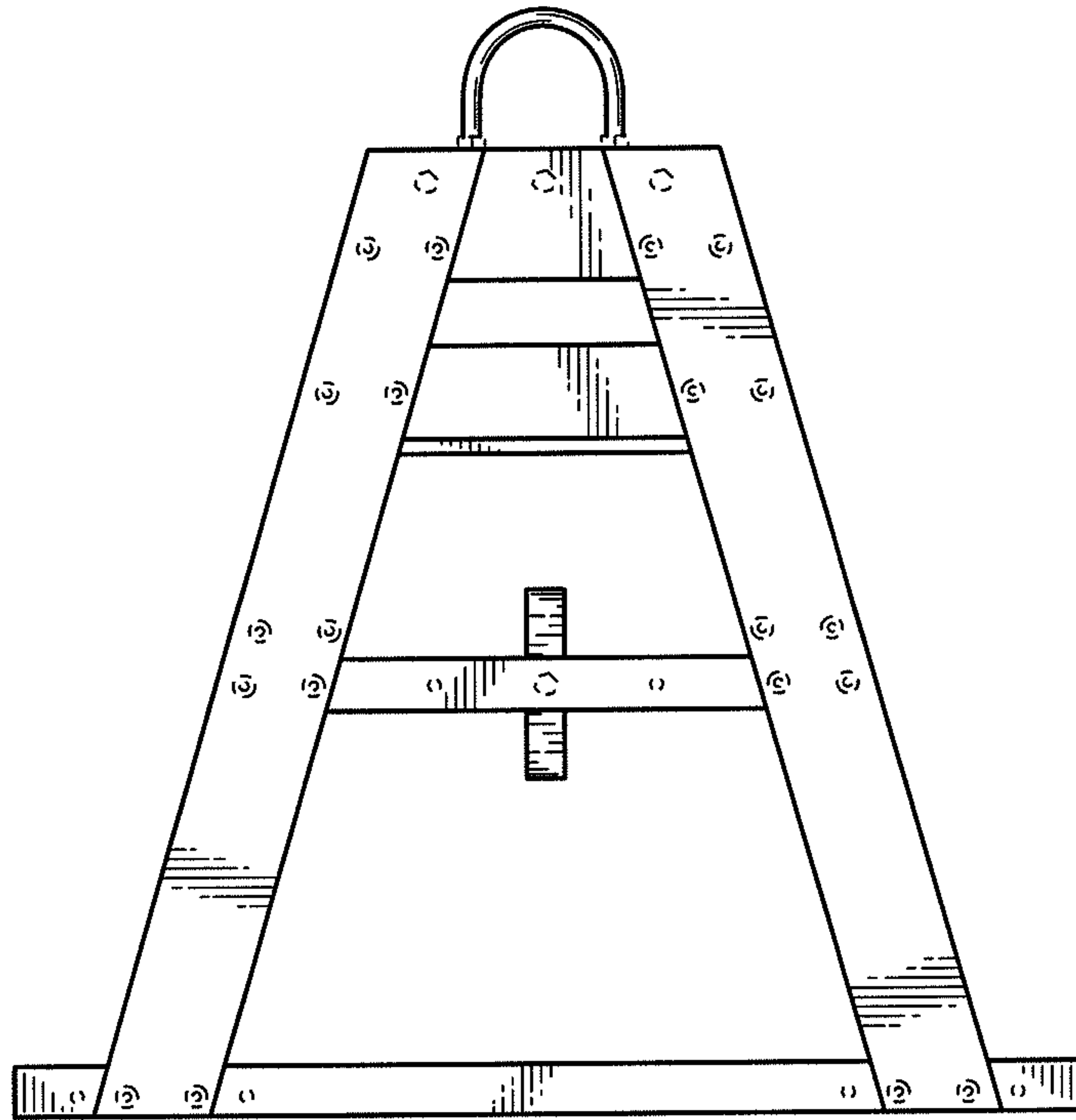


FIG. 2

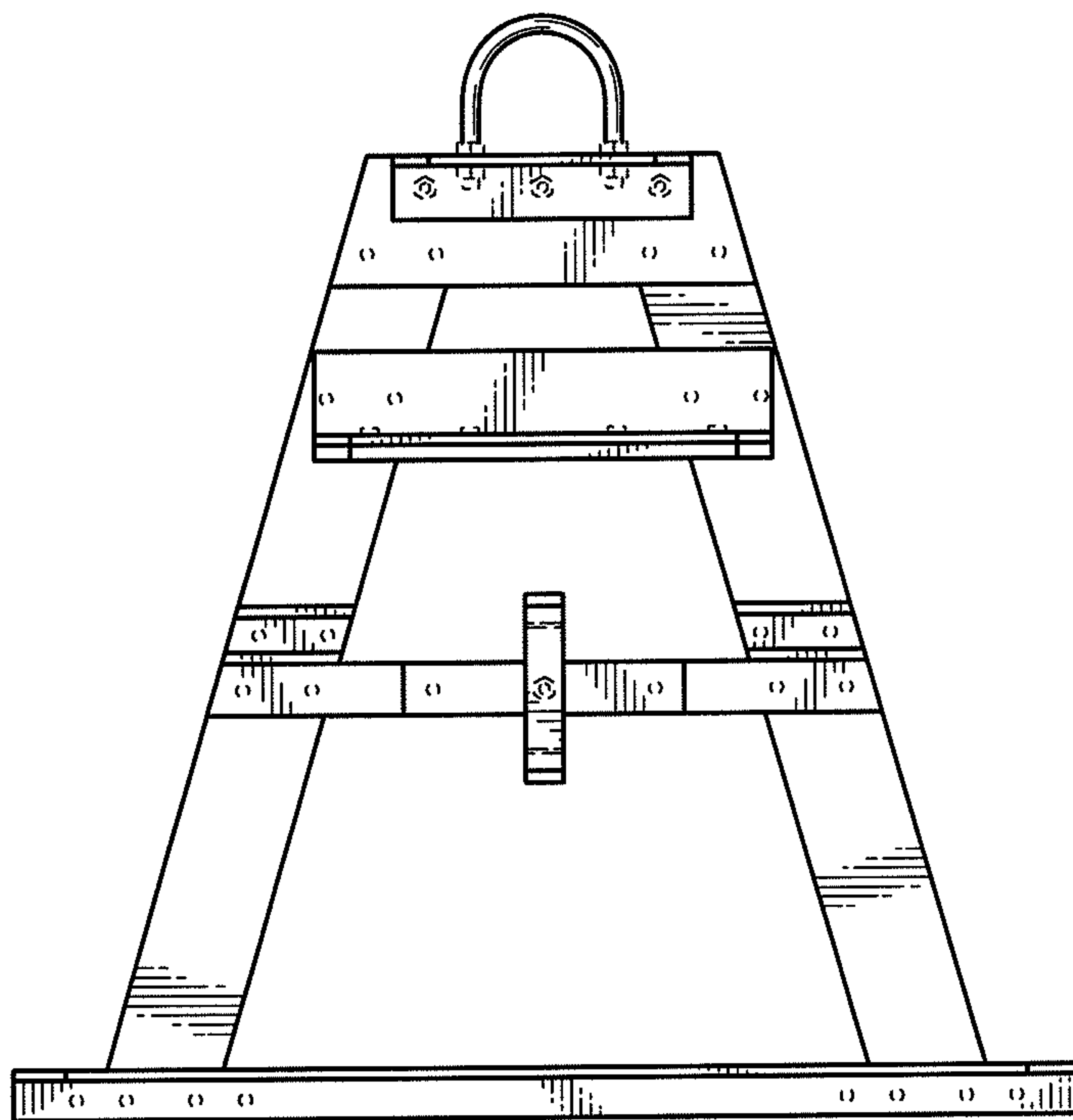


FIG. 3

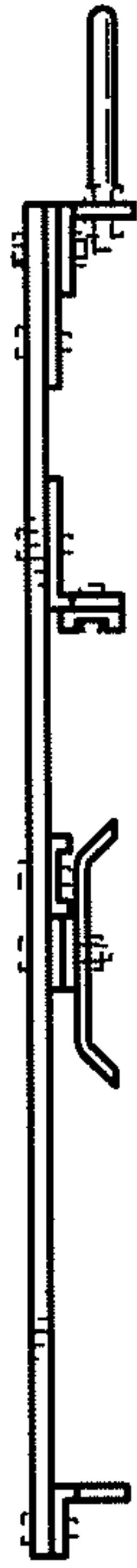


FIG. 4

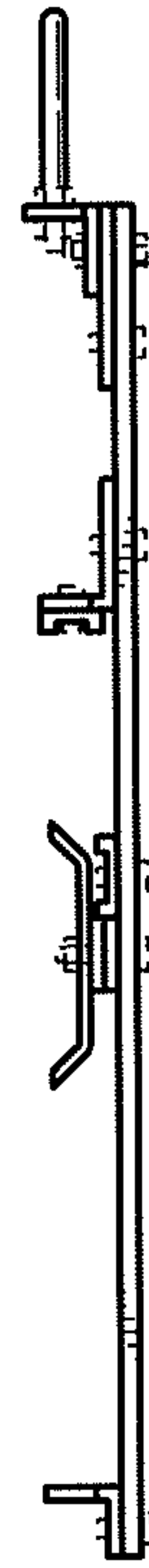


FIG. 5



FIG. 6



FIG. 7