



US00D734497S

(12) **United States Design Patent**
Fontijn

(10) **Patent No.:** **US D734,497 S**
(45) **Date of Patent:** **** Jul. 14, 2015**

(54) **THRESHOLD FOR A SLIDING SYSTEM**

(71) Applicant: **Goldbrecht Inc.**, Culver City, CA (US)

(72) Inventor: **Marcel Fontijn**, West Hollywood, CA (US)

(73) Assignee: **GOLDBRECHT INC.**, Culver City, CA (US)

(**) Term: **14 Years**

(21) Appl. No.: **29/471,732**

(22) Filed: **Nov. 4, 2013**

(51) **LOC (10) Cl.** **25-02**

(52) **U.S. Cl.**
USPC **D25/48.2**

(58) **Field of Classification Search**
USPC D25/48.2; 49/467, 471, 470; 52/207
See application file for complete search history.

(56) **References Cited**

U.S. PATENT DOCUMENTS

2,744,301 A * 5/1956 Viola, Jr. 49/408
4,237,664 A * 12/1980 Wilmes 52/209

D354,572 S * 1/1995 Headrick D25/48.2
5,469,666 A * 11/1995 Lewis, Jr. 49/471
5,575,321 A * 11/1996 Carrier 160/90
5,678,366 A * 10/1997 Nambo et al. 52/207

* cited by examiner

Primary Examiner — Doris Clark

(74) *Attorney, Agent, or Firm* — Lee, Hong, Degerman, Kang & Waimey

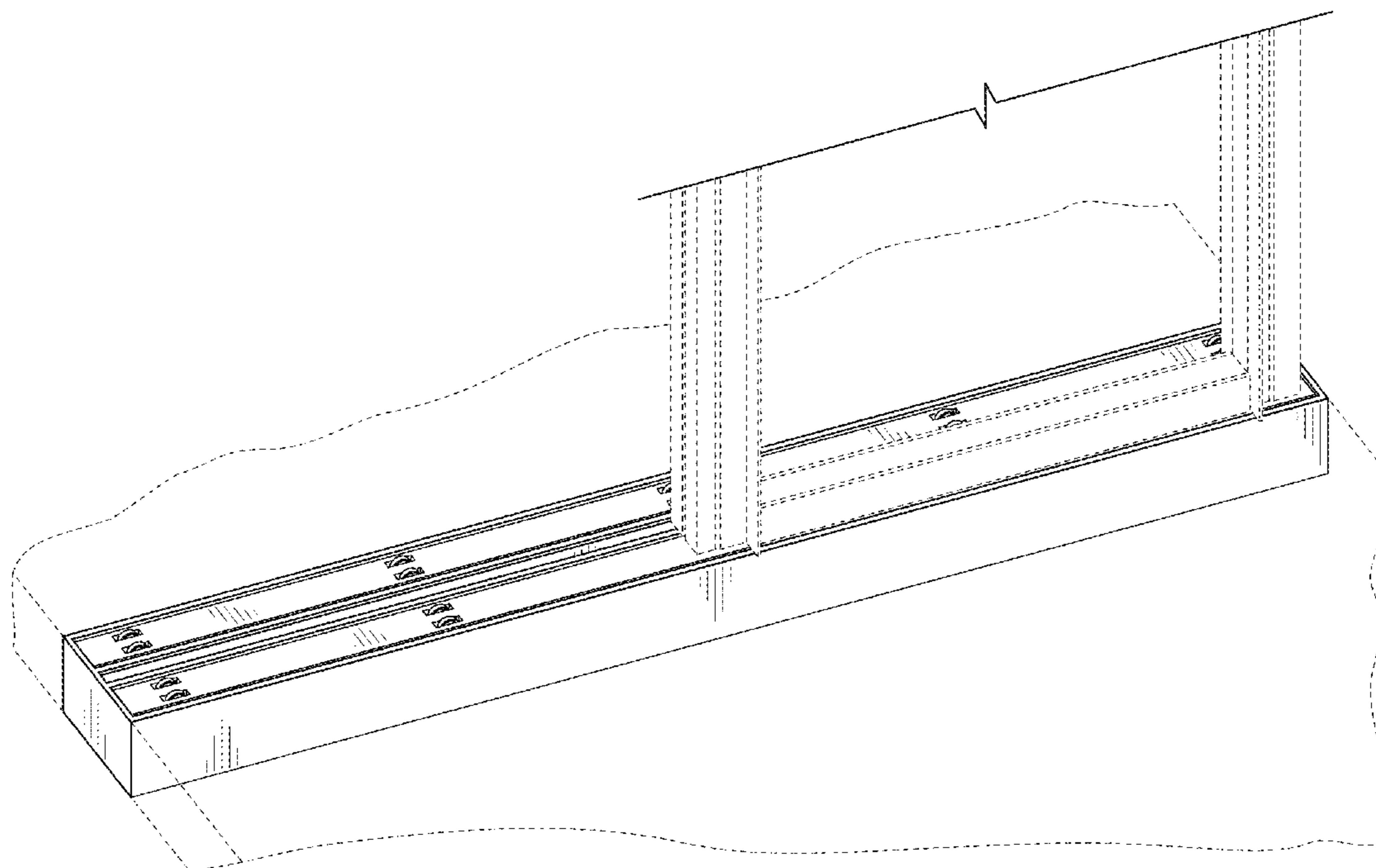
(57) **CLAIM**

The ornamental design for a threshold for a sliding system, as shown and described.

DESCRIPTION

FIG. 1 is a perspective view of a threshold for a sliding system;
FIG. 2 is a front or back view thereof;
FIG. 3 is a left or right view thereof;
FIG. 4 is a top view thereof;
FIG. 5 is a bottom view thereof; and,
FIG. 6 is a perspective view thereof with a floor and a sliding door or window in broken lines for illustrative purposes only and form no part of the claimed design.

1 Claim, 4 Drawing Sheets



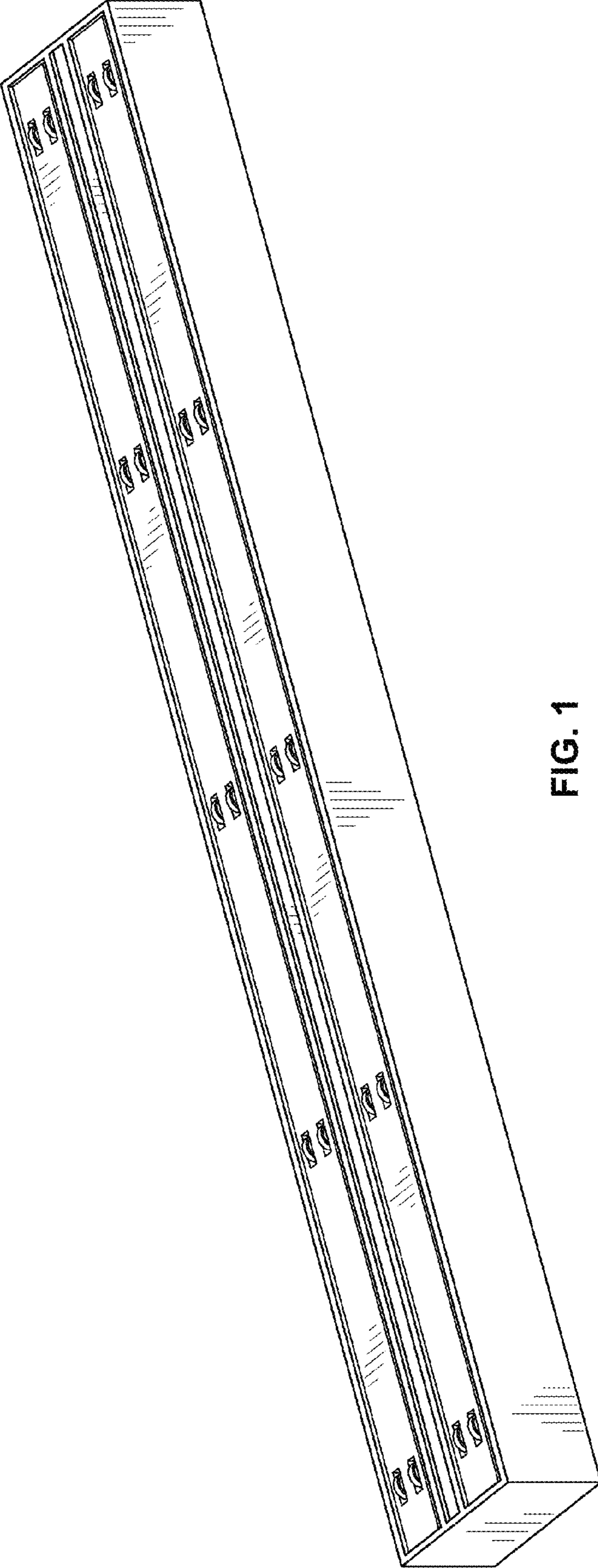


FIG. 1

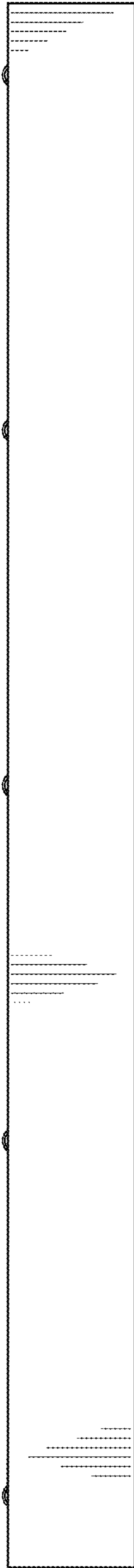


FIG. 2

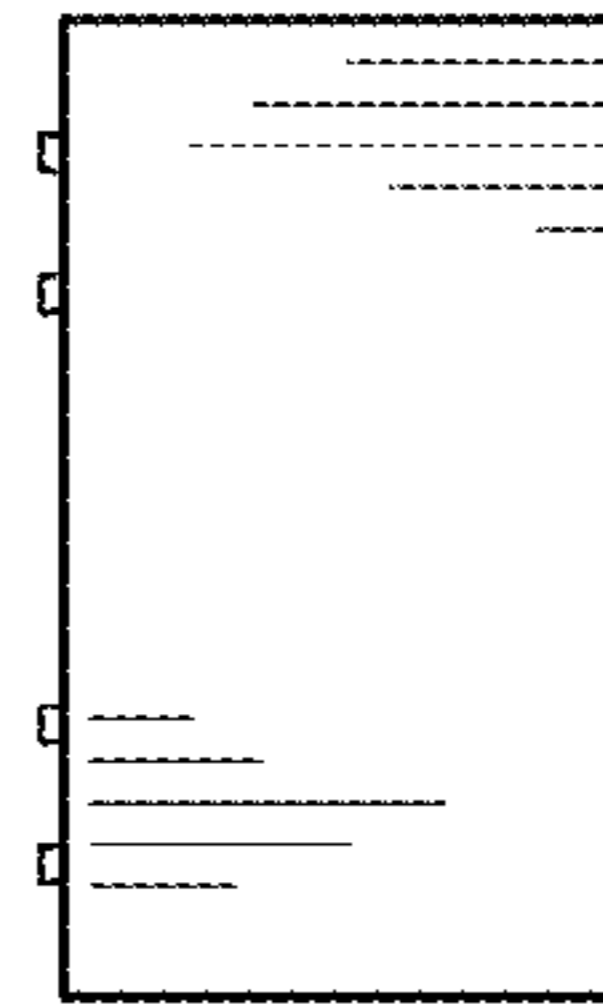


FIG. 3

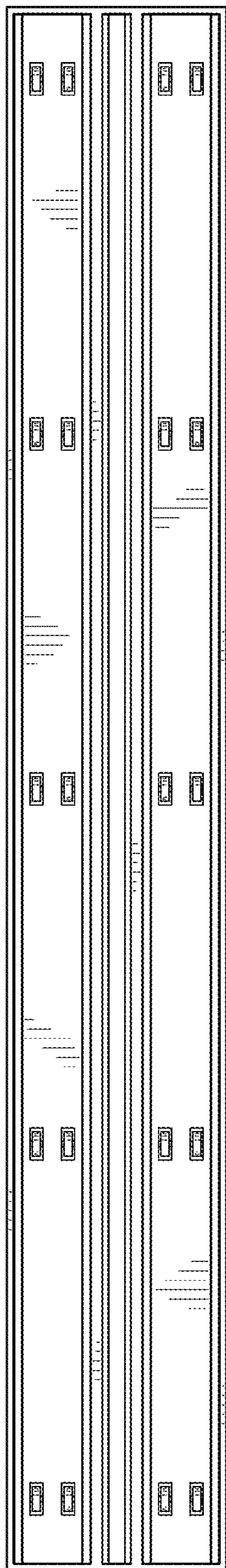


FIG. 4



FIG. 5

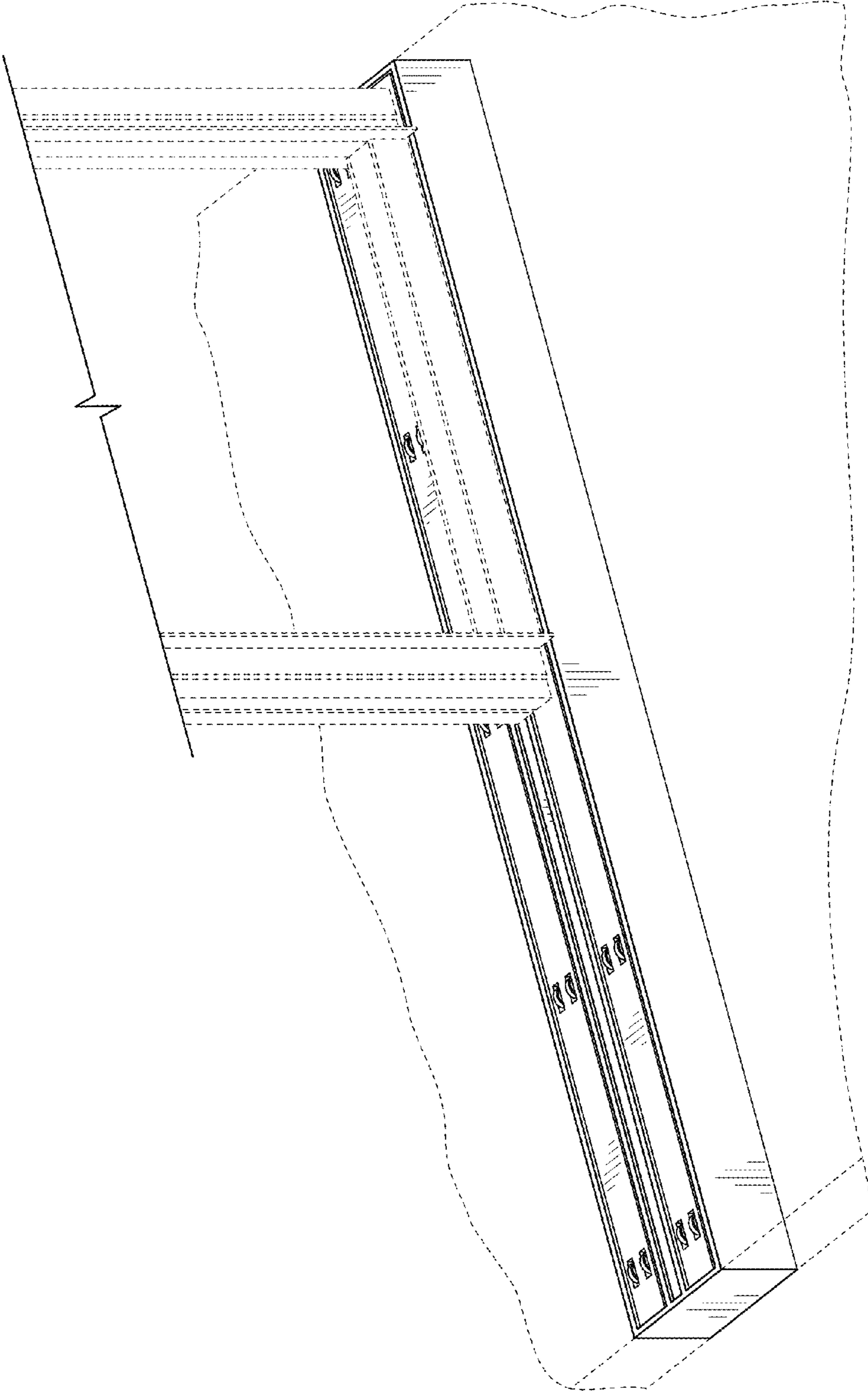


FIG. 6