



US00D734491S

(12) **United States Design Patent**  
**Krymov et al.**

(10) **Patent No.:** **US D734,491 S**

(45) **Date of Patent:** **\*\* Jul. 14, 2015**

(54) **MODULAR SLEEPING UNIT**

(75) Inventors: **Mikhail Dmitriyevich Krymov,**  
**Moscow (RU); Aleksei Vladimirovich**  
**Goriainov, Moskovskaya Oblast (RU)**

(73) Assignee: **OOO ARCH GROUP, Moscow (RU)**

(\*\*) Term: **14 Years**

(21) Appl. No.: **29/429,861**

(22) Filed: **Aug. 17, 2012**

(51) **LOC (10) Cl.** ..... **25-03**

(52) **U.S. Cl.**  
USPC ..... **D25/16**

(58) **Field of Classification Search**  
USPC ..... D25/1-37; 52/36.1, 79.1-79.6, 169.1,  
52/80.1, 80.2, 90.1, 90.2, 91.1-91.3,  
52/92.1-92.3, 93.1, 93.2  
See application file for complete search history.

(56) **References Cited**

**U.S. PATENT DOCUMENTS**

2,607,047	A *	8/1952	Posey	109/23
3,553,911	A *	1/1971	Morrow	52/28
D237,378	S *	10/1975	Ekuan	D25/18
3,923,134	A *	12/1975	Rezazadeh	194/241
D245,430	S *	8/1977	Commins	D25/1
D250,837	S *	1/1979	Lahaie	D25/1
4,243,260	A *	1/1981	Gieseking	296/24.33
4,395,785	A *	8/1983	Huh	5/2.1
4,594,817	A *	6/1986	McLaren et al.	52/34
D285,005	S *	8/1986	Italiane	D25/16
4,745,643	A *	5/1988	Clarke	5/9.1
D371,206	S *	6/1996	Priestley et al.	D25/16
5,806,248	A *	9/1998	Kim	52/36.1
6,178,701	B1 *	1/2001	De Paepe et al.	52/36.2
6,467,221	B1 *	10/2002	Bigelow	52/2.17
D487,807	S *	3/2004	Graham	D25/33
6,981,347	B1 *	1/2006	Walburger	52/79.1
D578,656	S *	10/2008	Holmstadt	D25/16

D583,963	S *	12/2008	Perez Lazala	D25/16
7,533,942	B2 *	5/2009	Kennedy et al.	299/12
D638,551	S *	5/2011	Gann	D25/16
D641,494	S *	7/2011	Wagemans et al.	D25/1
D662,221	S *	6/2012	Small	D25/16
2008/0005974	A1 *	1/2008	Delgado Vazquez et al.	52/36.1

\* cited by examiner

*Primary Examiner* — Ian Simmons

*Assistant Examiner* — Samantha Q Lawrence

(74) *Attorney, Agent, or Firm* — Jacobson Holman PLLC;  
Jiwen Chen

(57) **CLAIM**

We claim the ornamental design for a modular sleeping unit, as shown and described.

**DESCRIPTION**

FIG. 1 is a front perspective view of a modular sleeping unit showing our new design;  
 FIG. 2 is a rear perspective view thereof;  
 FIG. 3 is a front elevational view thereof;  
 FIG. 4 is a rear elevational view thereof;  
 FIG. 5 is a left side view thereof;  
 FIG. 6 is a right side view thereof;  
 FIG. 7 is a cross-sectional view at 7-7 in FIG. 6 showing the rear internal wall;  
 FIG. 8 is a cross-sectional view at 8-8 in FIG. 6 showing the front internal wall and the internal elements that are attached to the wall that has been cut away are omitted from the view for ease of disclosure;  
 FIG. 9 is an internal perspective view thereof facing the left internal wall of the modular sleeping unit showing the desk in an open position; and,  
 FIG. 10 is an internal perspective view thereof facing the right internal wall of the modular sleeping unit showing the desk in an open position.  
 The broken lines shown in FIGS. 3-8 illustrate portions of the modular sleeping unit that form no part of the claimed design.

**1 Claim, 10 Drawing Sheets**

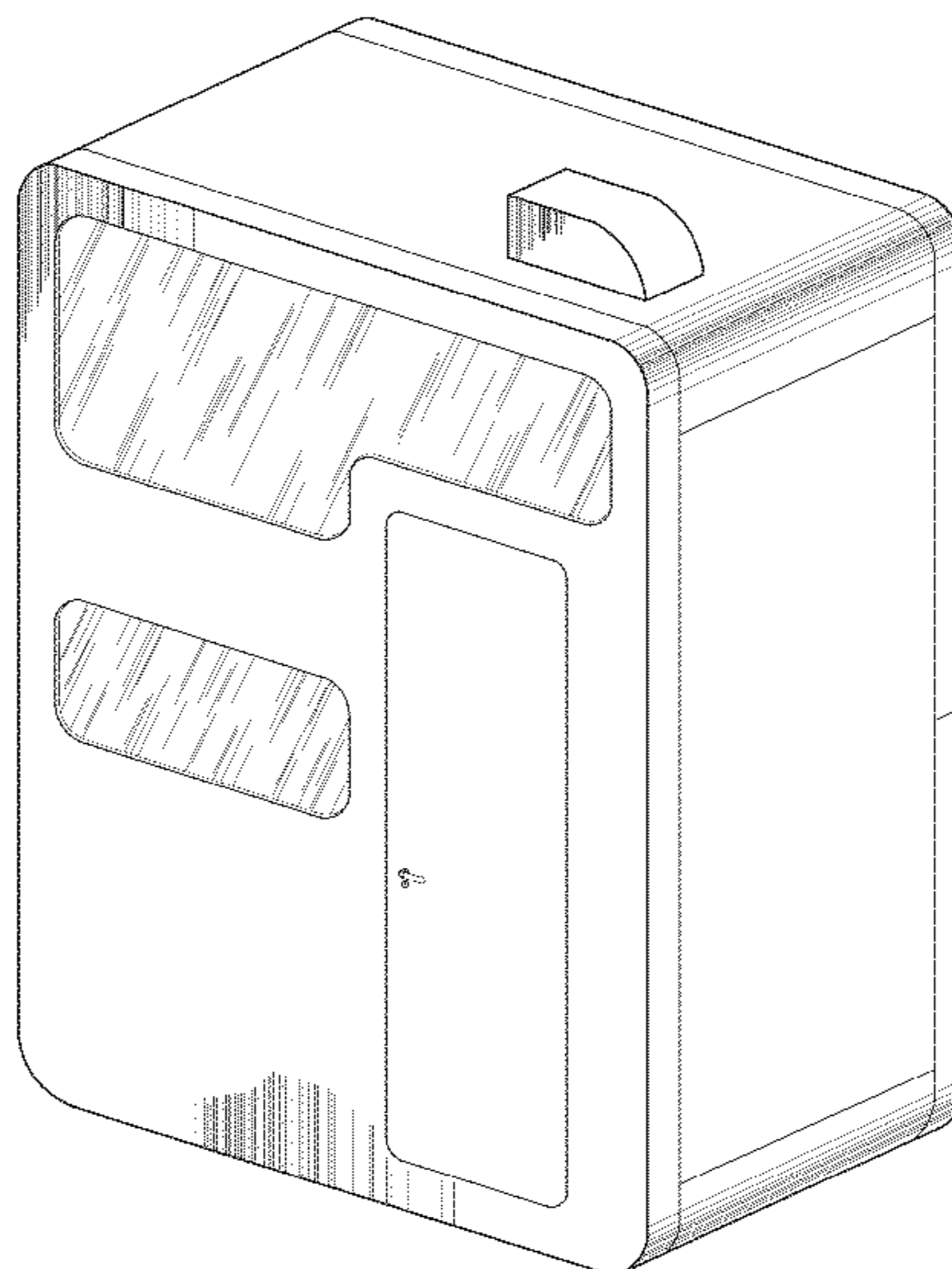


FIG. 1

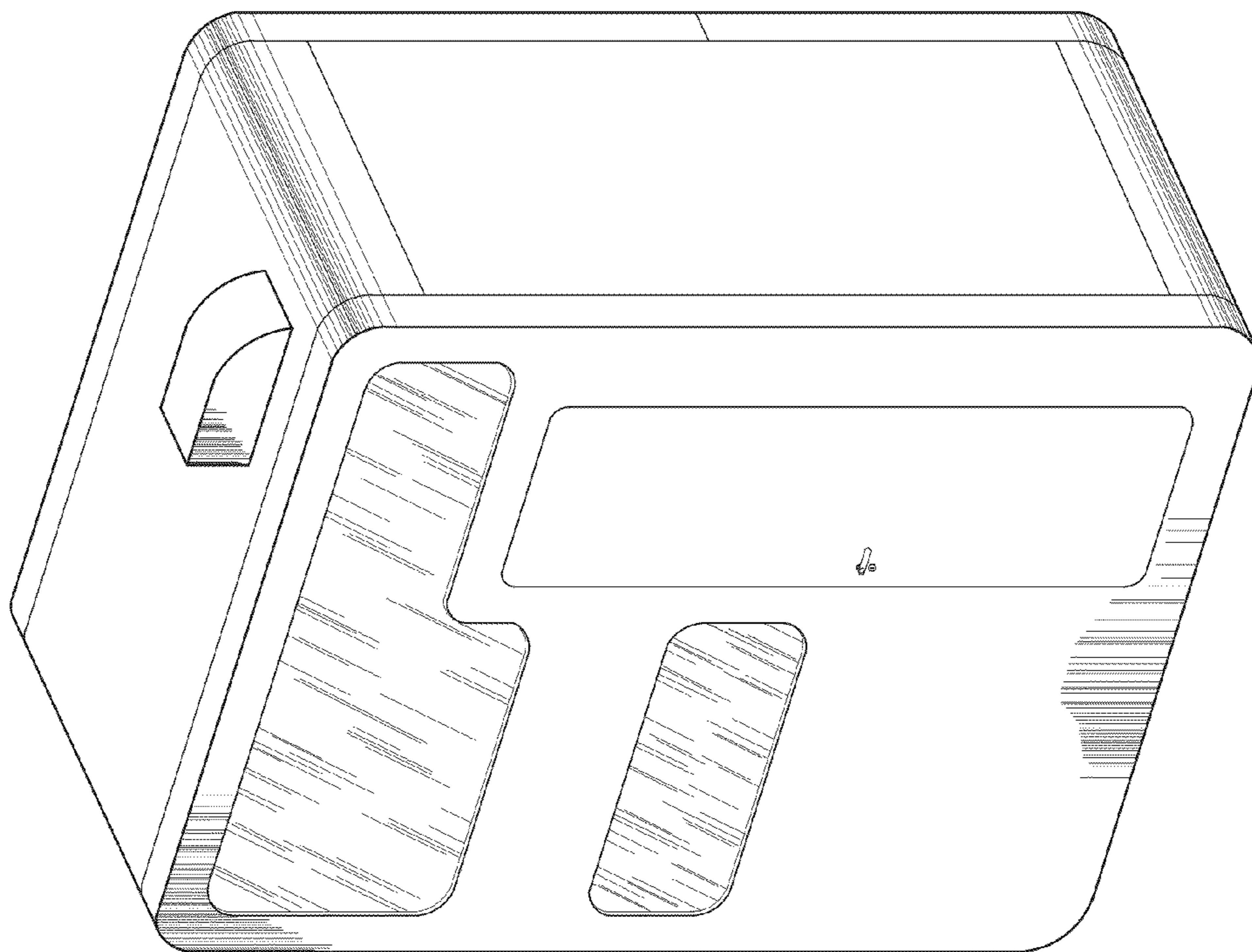


FIG. 2

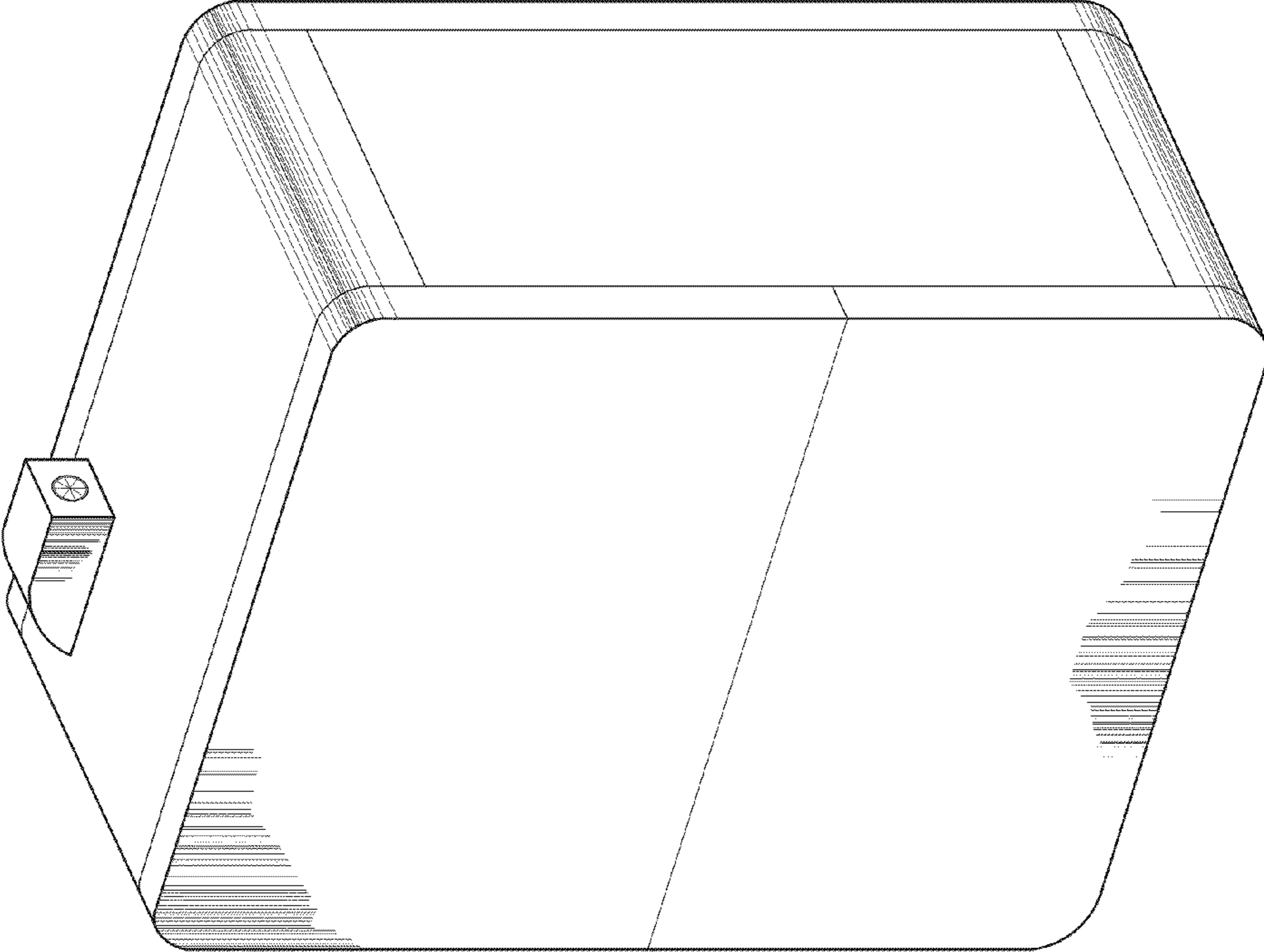


FIG. 3

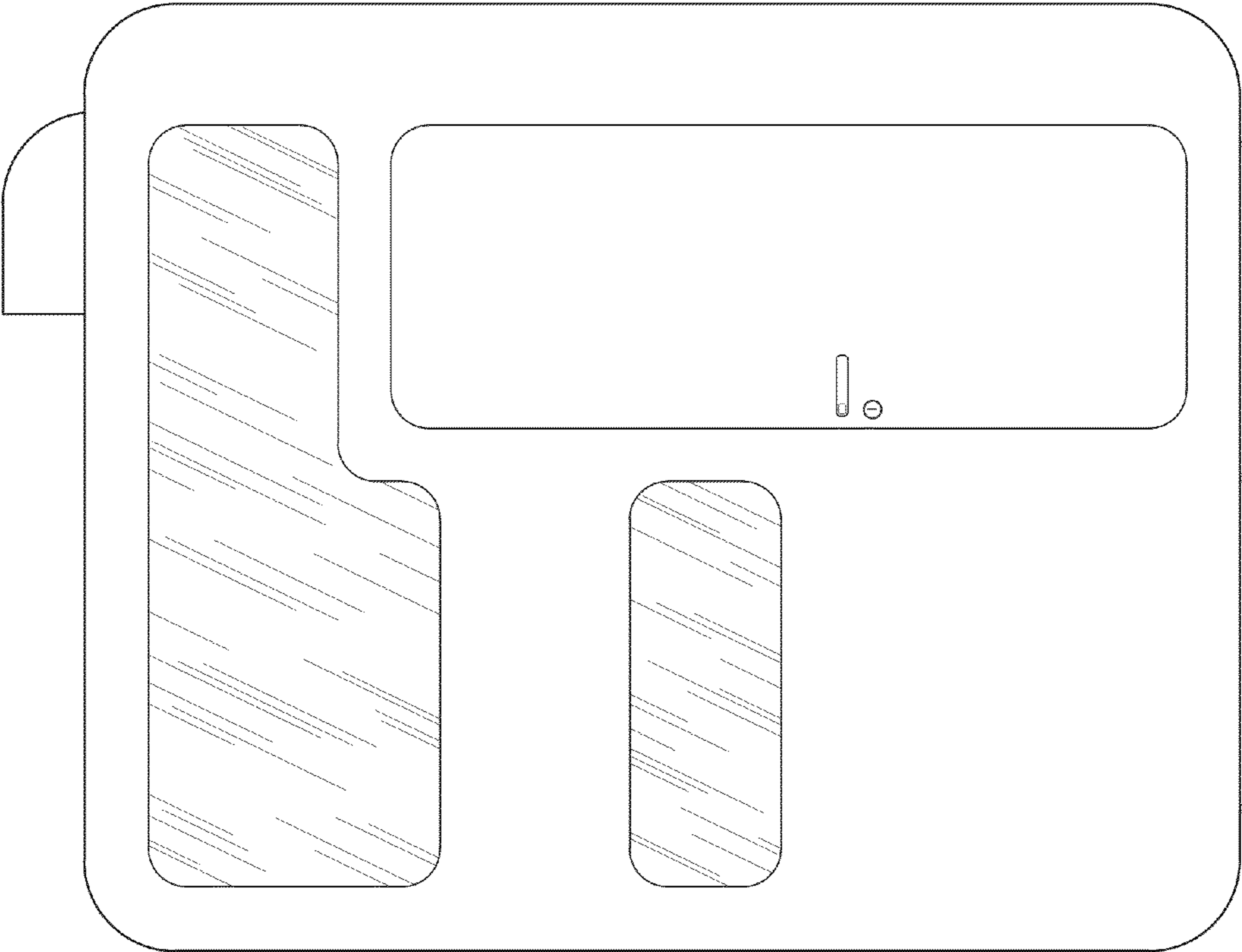


FIG. 4

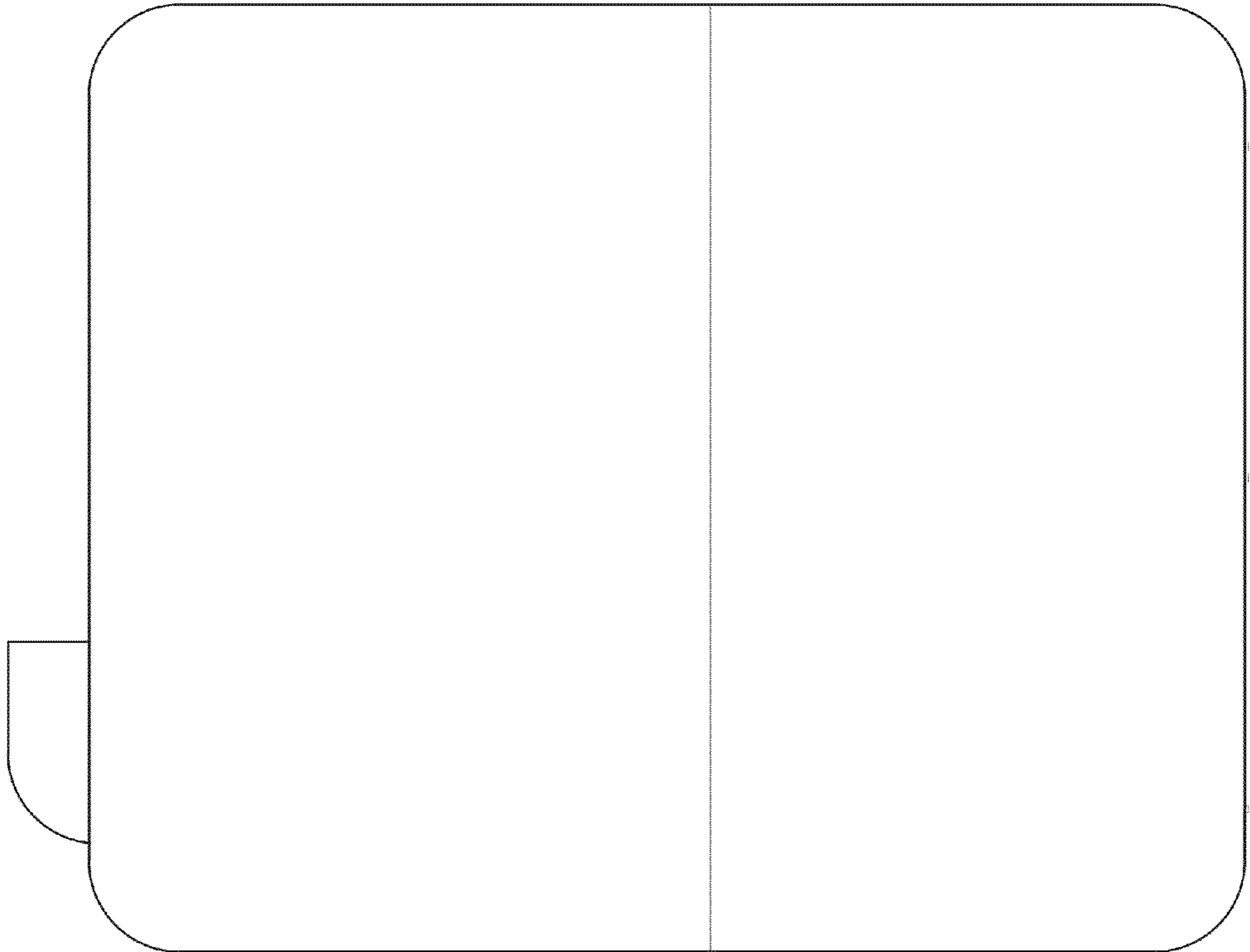
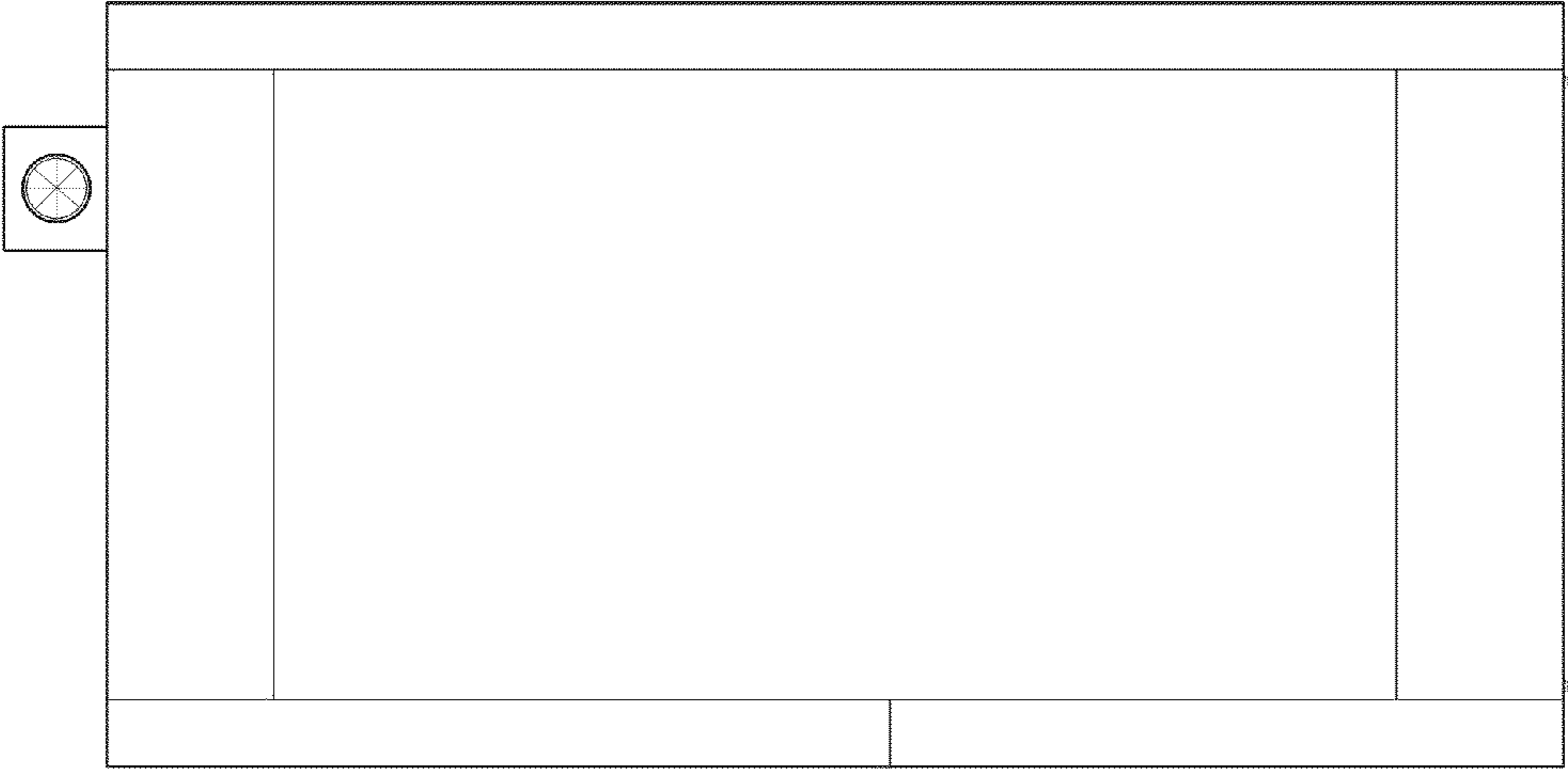


FIG. 5



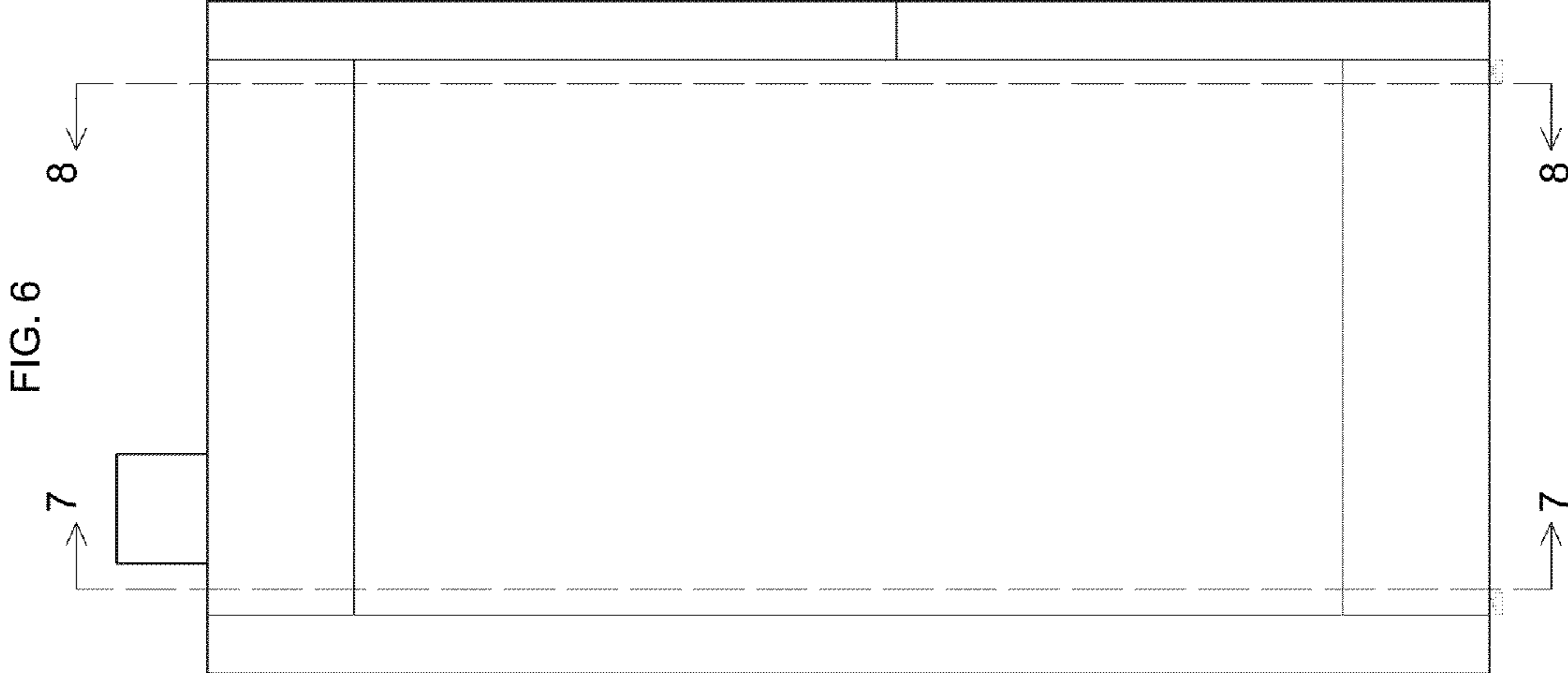




FIG. 7

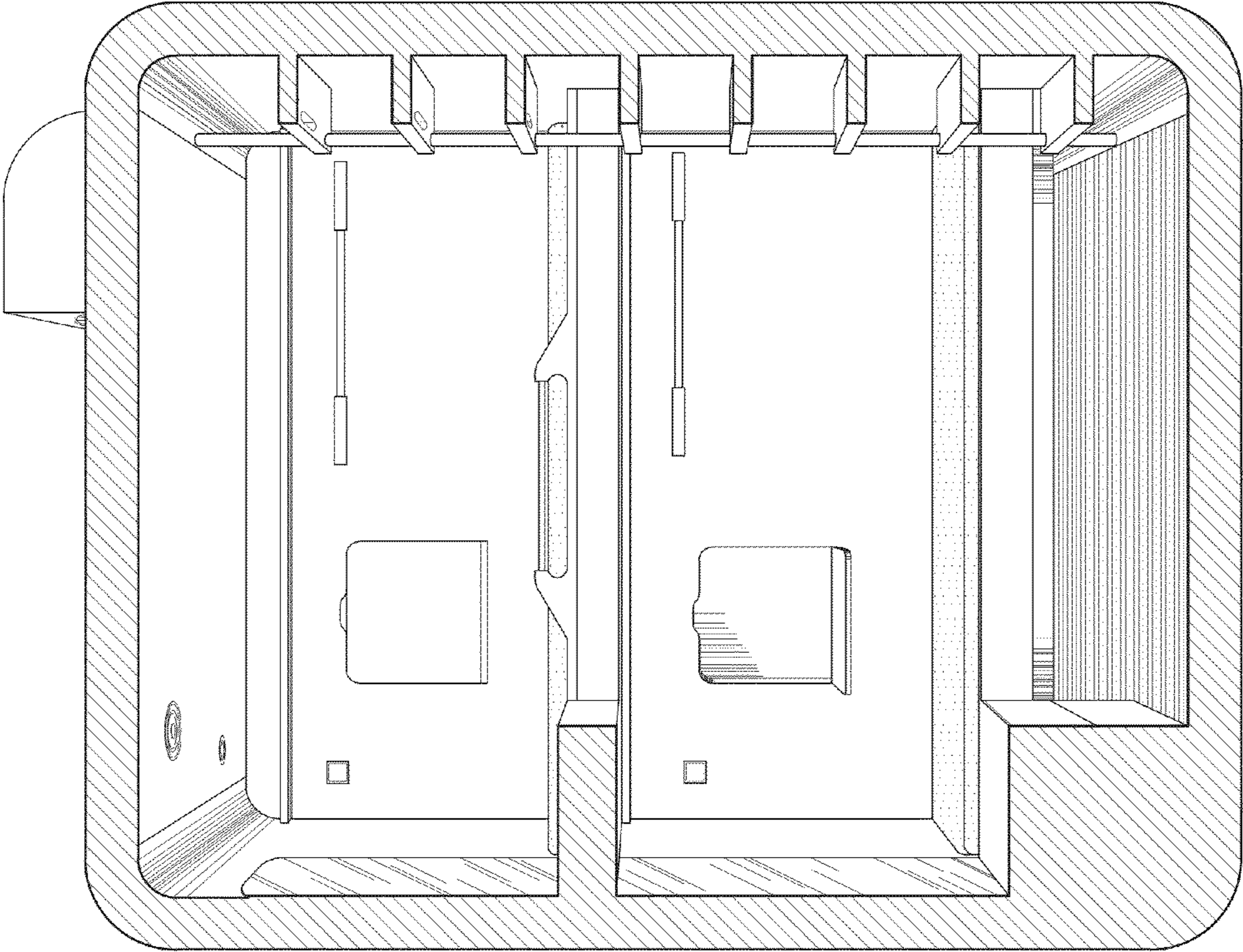




FIG. 8

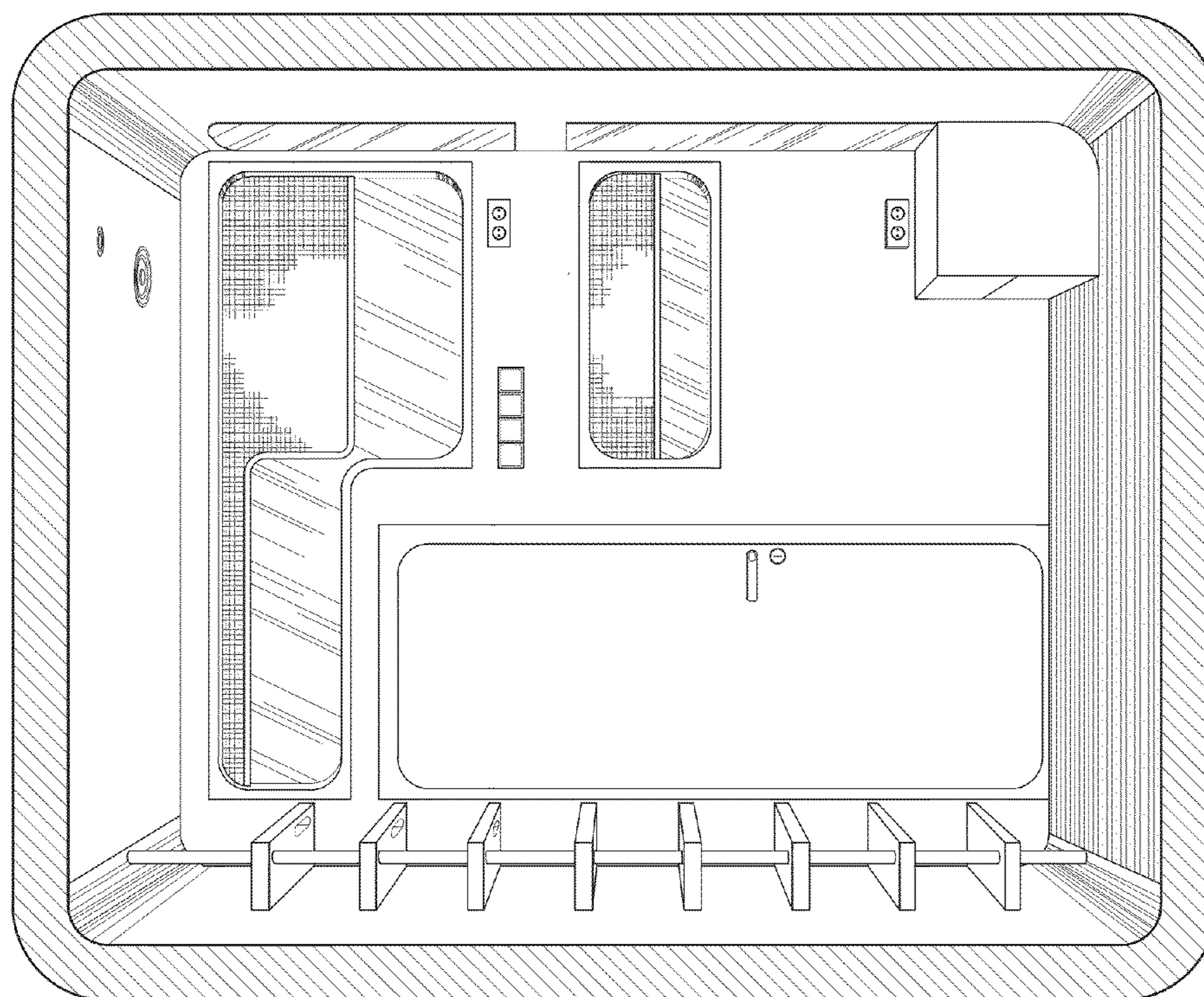


FIG. 9

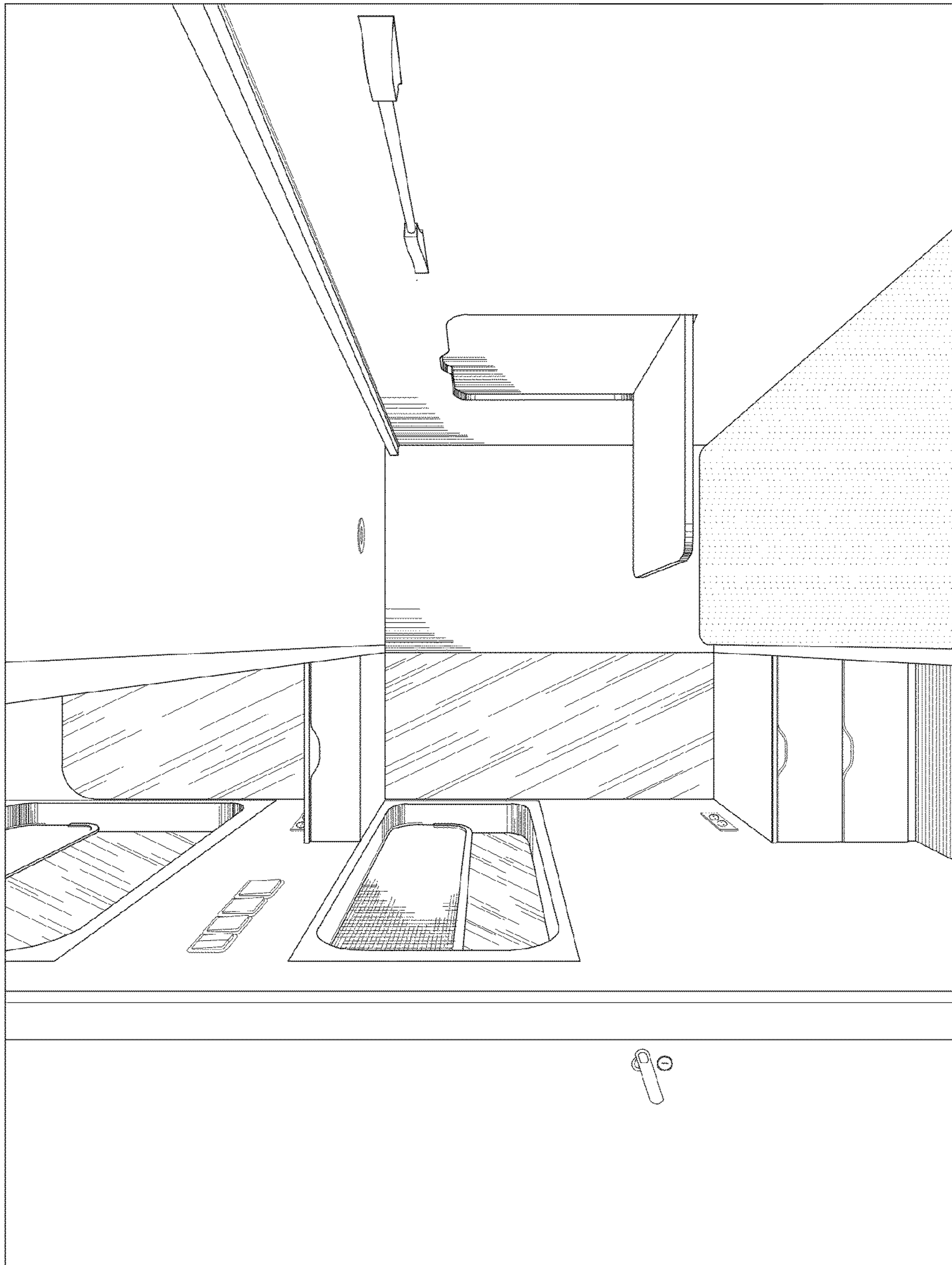


FIG. 10

