

US00D734490S

(12) **United States Design Patent**  
**Eckstein et al.**

(10) **Patent No.:** **US D734,490 S**  
(45) **Date of Patent:** **\*\* \*Jul. 14, 2015**

(54) **MIXING TIP**

(71) Applicant: **3M INNOVATIVE PROPERTIES COMPANY**, St. Paul, MN (US)

(72) Inventors: **Stefan Eckstein**, München (DE);  
**Andreas Boehm**, Reichling (DE); **Marc Peuker**, Schöndorf (DE)

(73) Assignee: **3M Innovative Properties Company**, St. Paul, MN (US)

(\*) Notice: This patent is subject to a terminal disclaimer.

(\*\*) Term: **14 Years**

(21) Appl. No.: **29/486,556**

(22) Filed: **Mar. 31, 2014**

(30) **Foreign Application Priority Data**

Oct. 3, 2013 (EP) ..... 1385975

(51) **LOC (10) Cl.** ..... **24-00**

(52) **U.S. Cl.**  
USPC ..... **D24/220**

(58) **Field of Classification Search**  
USPC ..... D24/220, 164, 221, 176, 180, 170, 187,  
D24/64, 232, 216; D7/376; D15/19; 433/90;  
128/205.24; 222/145.5, 145.6;  
366/181.4, 307, 318  
See application file for complete search history.

(56) **References Cited**

**U.S. PATENT DOCUMENTS**

3,739,947 A \* 6/1973 Baumann et al. .... 222/136  
D287,877 S 1/1987 Holewinski  
4,941,752 A \* 7/1990 Yant et al. .... 366/307  
5,324,273 A 6/1994 Discko, Jr.  
5,392,904 A \* 2/1995 Frick et al. .... 206/219  
D419,236 S 1/2000 Carlson

D421,121 S 2/2000 Prasad  
D472,323 S \* 3/2003 Sand ..... D24/220  
6,884,071 B2 \* 4/2005 Martin ..... 433/90  
7,562,792 B2 \* 7/2009 Nisbet ..... 222/137  
D645,958 S 9/2011 Assmann  
D672,873 S \* 12/2012 An ..... D24/156  
D681,808 S 5/2013 Holaschke  
D690,813 S \* 10/2013 Bizzell et al. .... D24/162  
D693,940 S \* 11/2013 Walter et al. .... D24/220  
D696,787 S \* 12/2013 Walter et al. .... D24/220  
D698,918 S 2/2014 Leiner  
2010/0240004 A1 \* 9/2010 Zalsman ..... 433/90  
2011/0056985 A1 \* 3/2011 Bublewitz et al. .... 222/137  
2013/0101955 A1 \* 4/2013 Broyles et al. .... 433/90  
2013/0260335 A1 \* 10/2013 Peuker et al. .... 433/90

**OTHER PUBLICATIONS**

*Tetric EvoCeram & Tetric EvoFlow®*, Ivoclar Vivodent, Oct. 29, 2013, 10 pages.

*Tetric EvoCeram® Bulk Fill, Nano-Hybrid Composite with Ivocerin*, Ivoclar Vivodent©, 2013, 6 pages.

\* cited by examiner

*Primary Examiner* — Holly Baynham

*Assistant Examiner* — Rhea Shields

(57) **CLAIM**

The ornamental design for a mixing tip, as shown and described.

**DESCRIPTION**

FIG. 1 is a perspective view showing the new design for a mixing tip;

FIG. 2 is a right side view thereof;

FIG. 3 is a top view thereof;

FIG. 4 is a bottom view thereof;

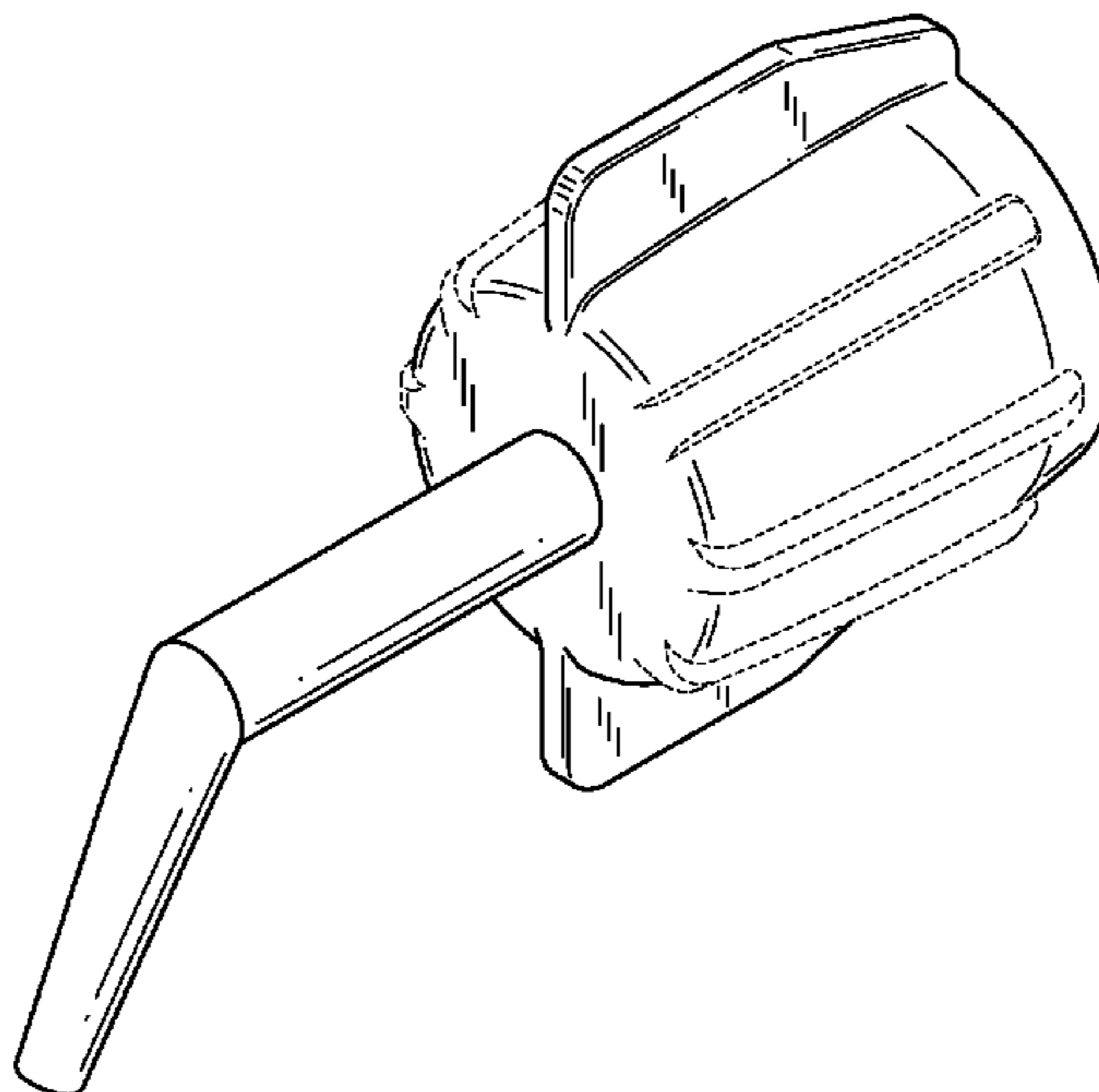
FIG. 5 is a front view thereof; and,

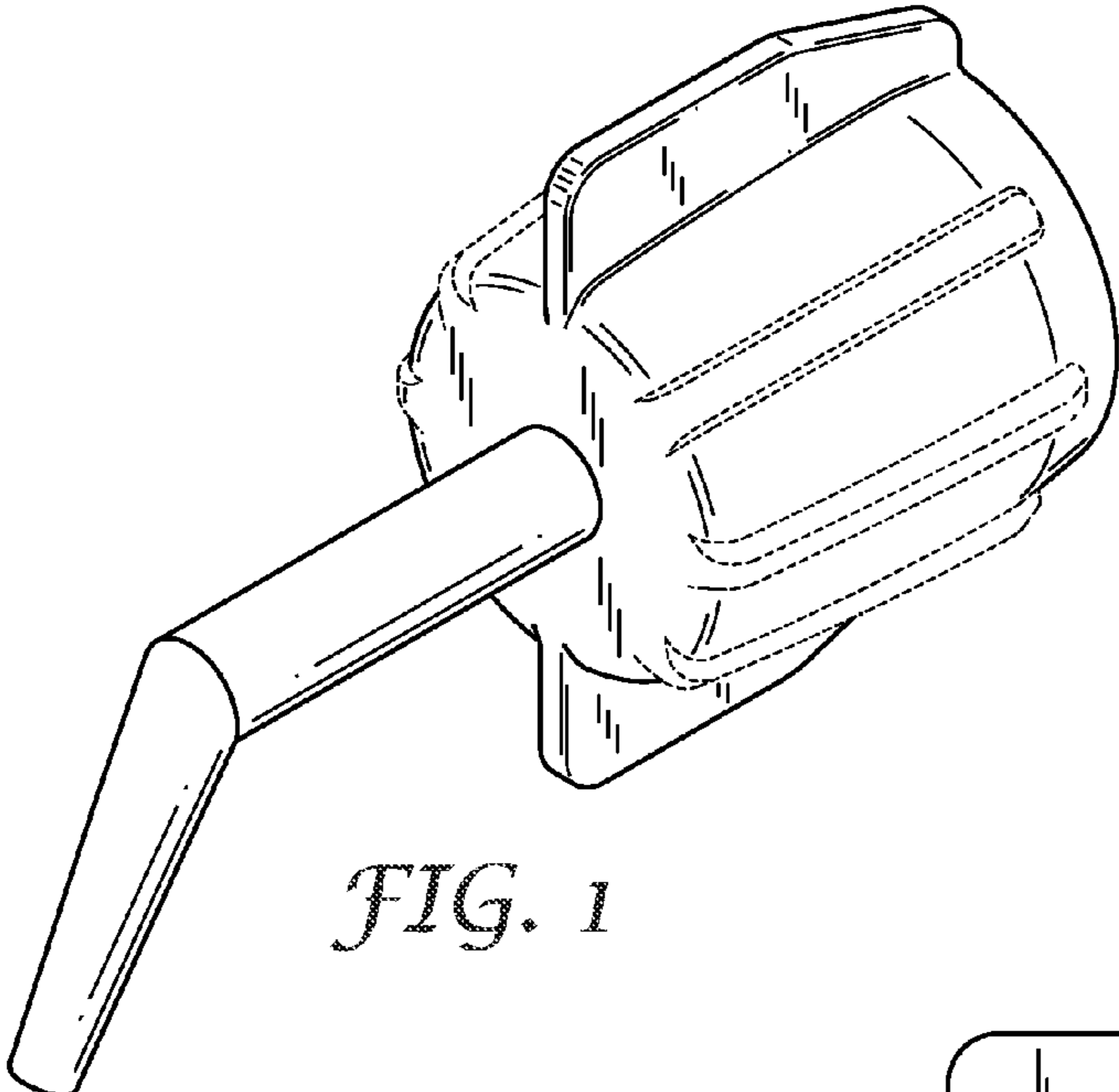
FIG. 6 is a back view thereof.

The left side view is a mirror image of the right side view.

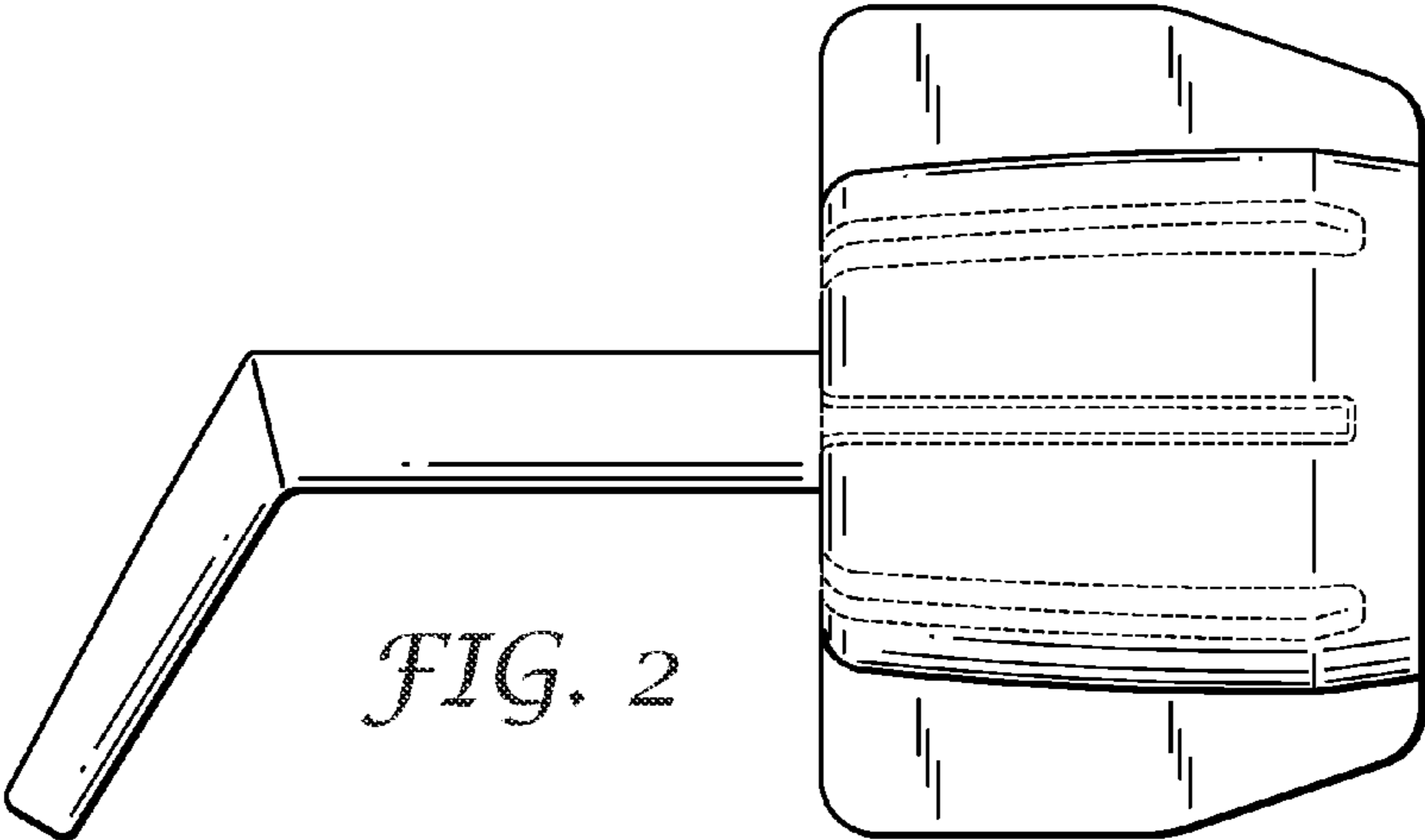
In the drawings, the broken lines depict environmental subject matter only and form no part of the claimed designs.

**1 Claim, 2 Drawing Sheets**

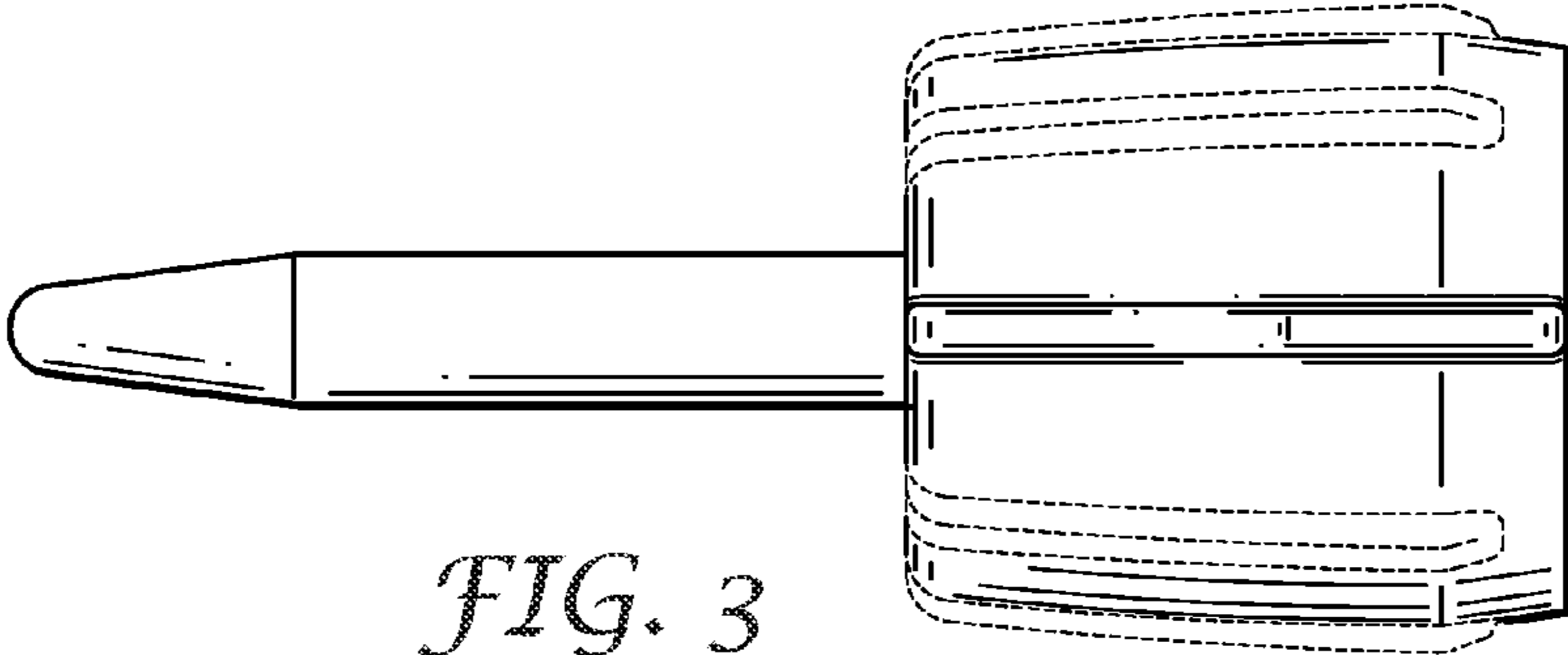




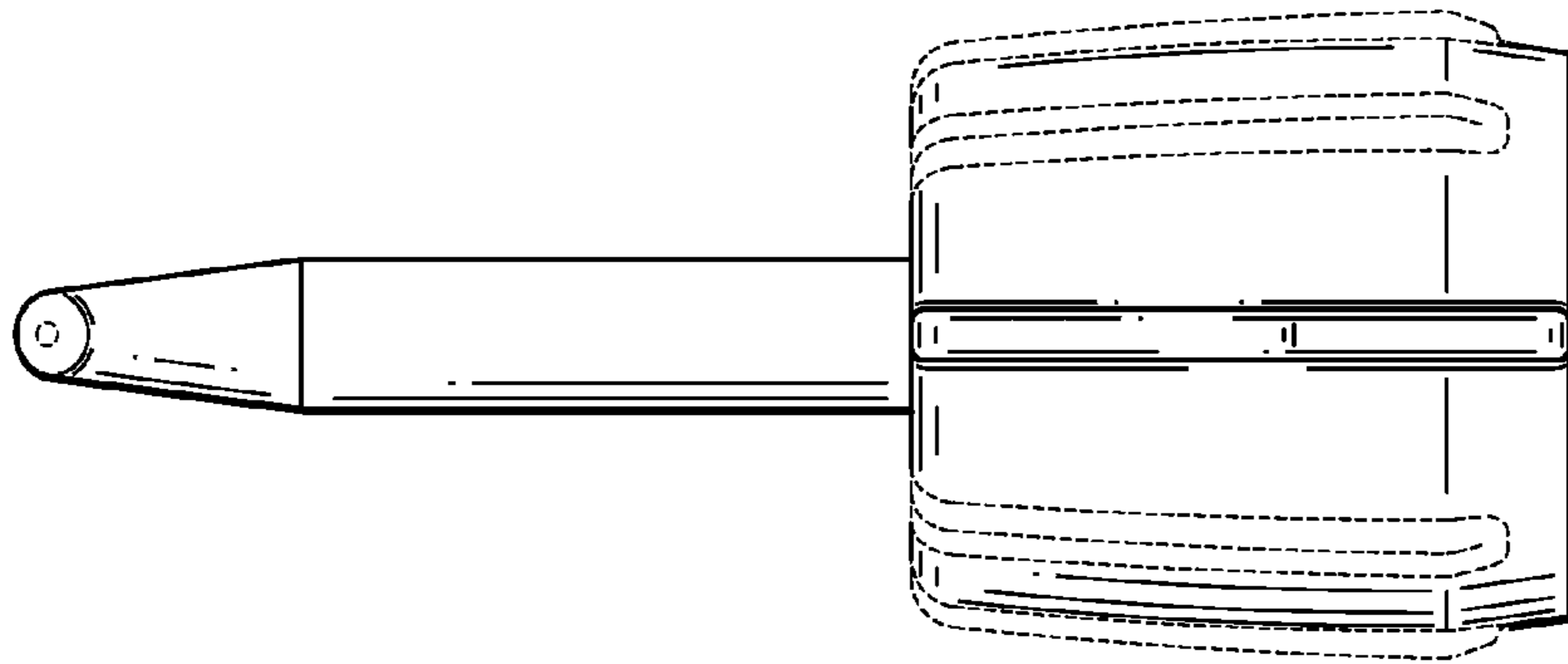
*FIG. 1*



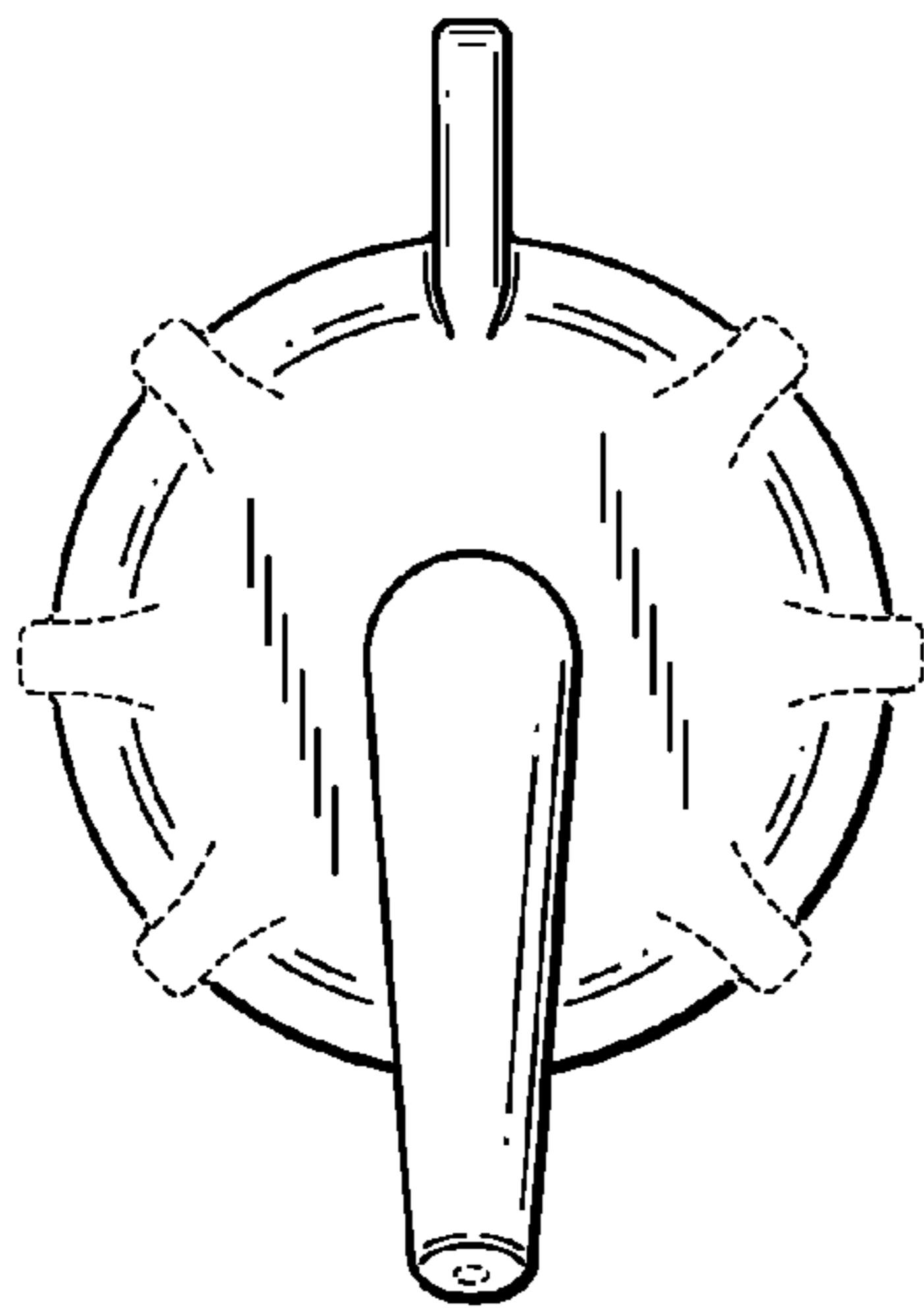
*FIG. 2*



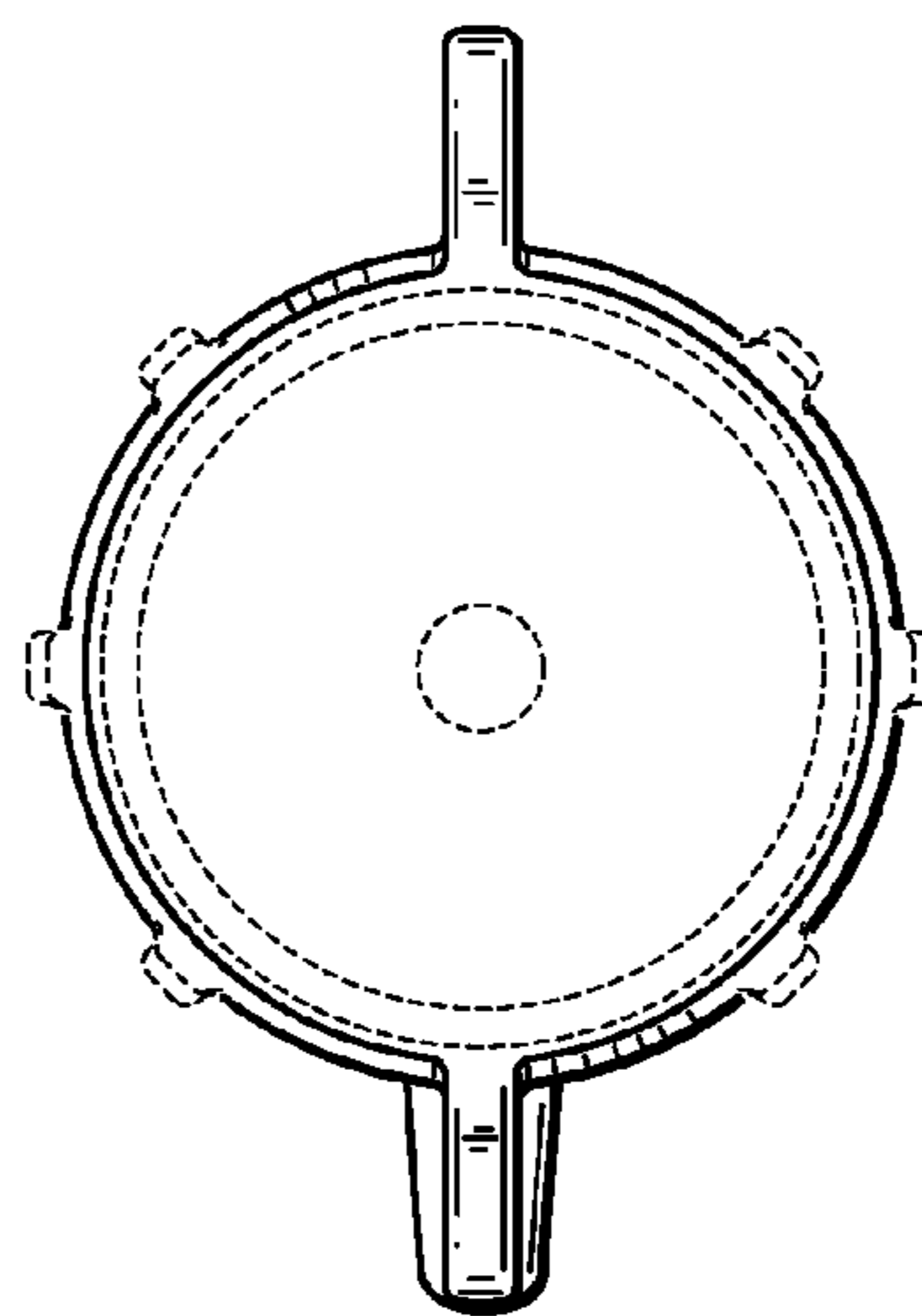
*FIG. 3*



*FIG. 4*



*FIG. 5*



*FIG. 6*