



US00D734489S

(12) **United States Design Patent**  
**Henderson et al.**

(10) **Patent No.:** **US D734,489 S**

(45) **Date of Patent:** **\*\* Jul. 14, 2015**

(54) **CENTRIFUGE**

(56) **References Cited**

(71) Applicant: **THE DRUCKER COMPANY**,  
Philipsburg, PA (US)

U.S. PATENT DOCUMENTS

(72) Inventors: **Anthony J. Henderson**, State College,  
PA (US); **Steven Hudson**, Bellwood, PA  
(US); **Thomas Mallison**, State College,  
PA (US); **Kenneth Moscone, Jr.**, Port  
Matilda, PA (US); **Kenneth Moscone,  
Sr.**, Port Matilda, PA (US); **Craig Stout**,  
Port Matilda, PA (US); **Jason Stout**,  
State College, PA (US)

D303,570	S	*	9/1989	Eberle .....	D24/219
D413,987	S	*	9/1999	Eberle .....	D24/219
D415,840	S		10/1999	Lamond et al.	
6,153,148	A		11/2000	Thomas	
D527,462	S	*	8/2006	Raimann .....	D24/219
D617,909	S		6/2010	Taniguchi et al.	
D663,041	S		7/2012	Henssler et al.	
2007/0004577	A1		1/2007	Lederer	

\* cited by examiner

*Primary Examiner* — Anhdao Doan

(73) Assignee: **The Drucker Company**, Philipsburg,  
PA (US)

(74) *Attorney, Agent, or Firm* — McNees Wallace & Nurick  
LLC

(\*\*) Term: **14 Years**

(57) **CLAIM**

(21) Appl. No.: **29/506,504**

The ornamental design for a centrifuge, as shown and  
described.

(22) Filed: **Oct. 16, 2014**

**DESCRIPTION**

**Related U.S. Application Data**

(62) Division of application No. 29/439,637, filed on Dec.  
13, 2012, now Pat. No. Des. 718,463.

(51) **LOC (10) Cl.** ..... **24-01**

(52) **U.S. Cl.**  
USPC ..... **D24/219**

(58) **Field of Classification Search**  
USPC ..... D24/216, 219, 186, 231, 232; D10/81;  
422/62-65, 67, 68.1, 69, 70, 72, 500;  
435/287.1; 436/43, 45, 47, 177

FIG. 1 shows a perspective view of a centrifuge according to  
the present invention.

FIG. 2 shows a front view thereof.

FIG. 3 shows a rear view thereof.

FIG. 4 shows a top view thereof.

FIG. 5 shows a bottom view thereof.

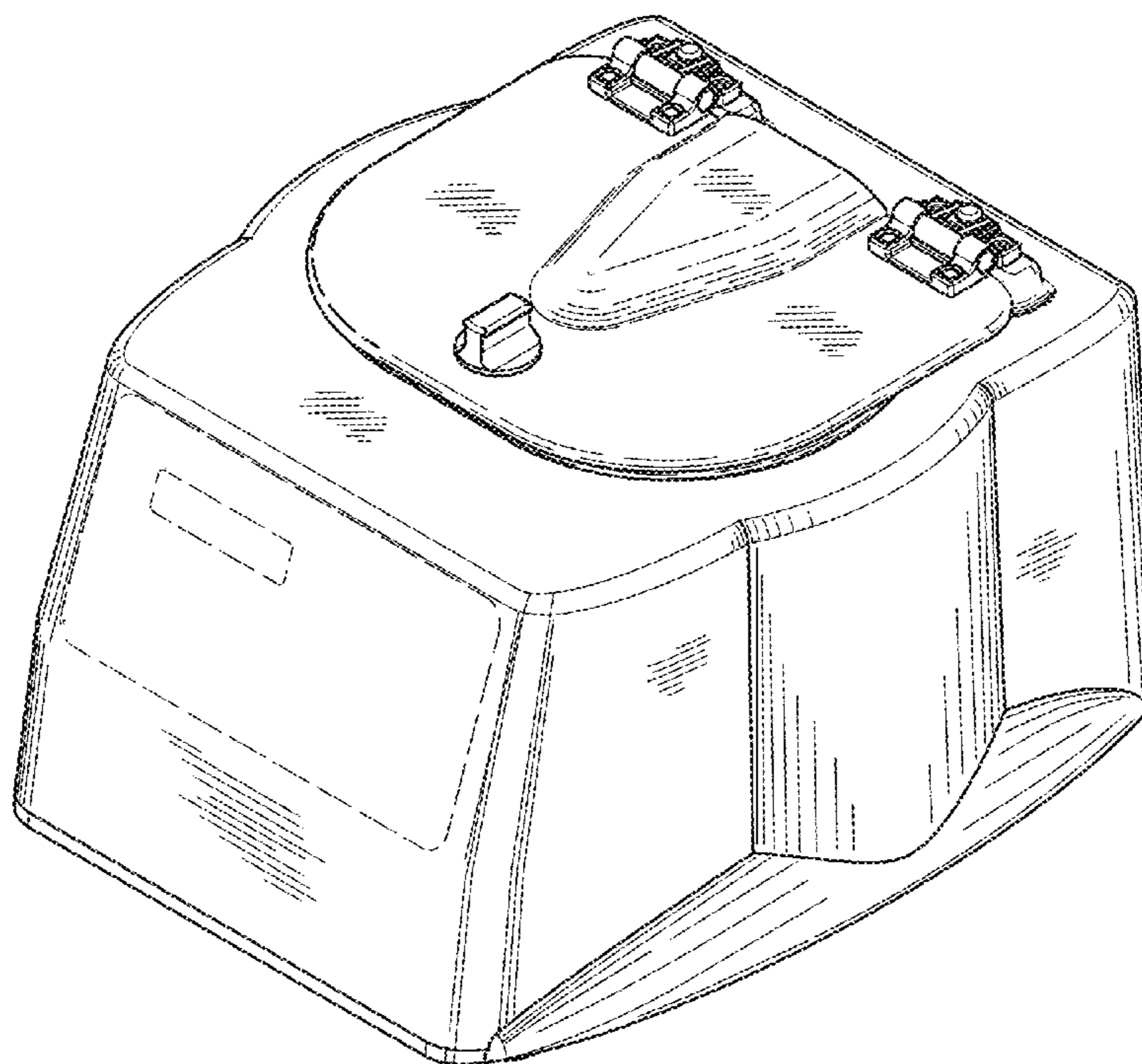
FIG. 6 shows a first side view thereof; and,

FIG. 7 shows a second side view thereof.

The broken lines form no part of the claimed design.

See application file for complete search history.

**1 Claim, 4 Drawing Sheets**



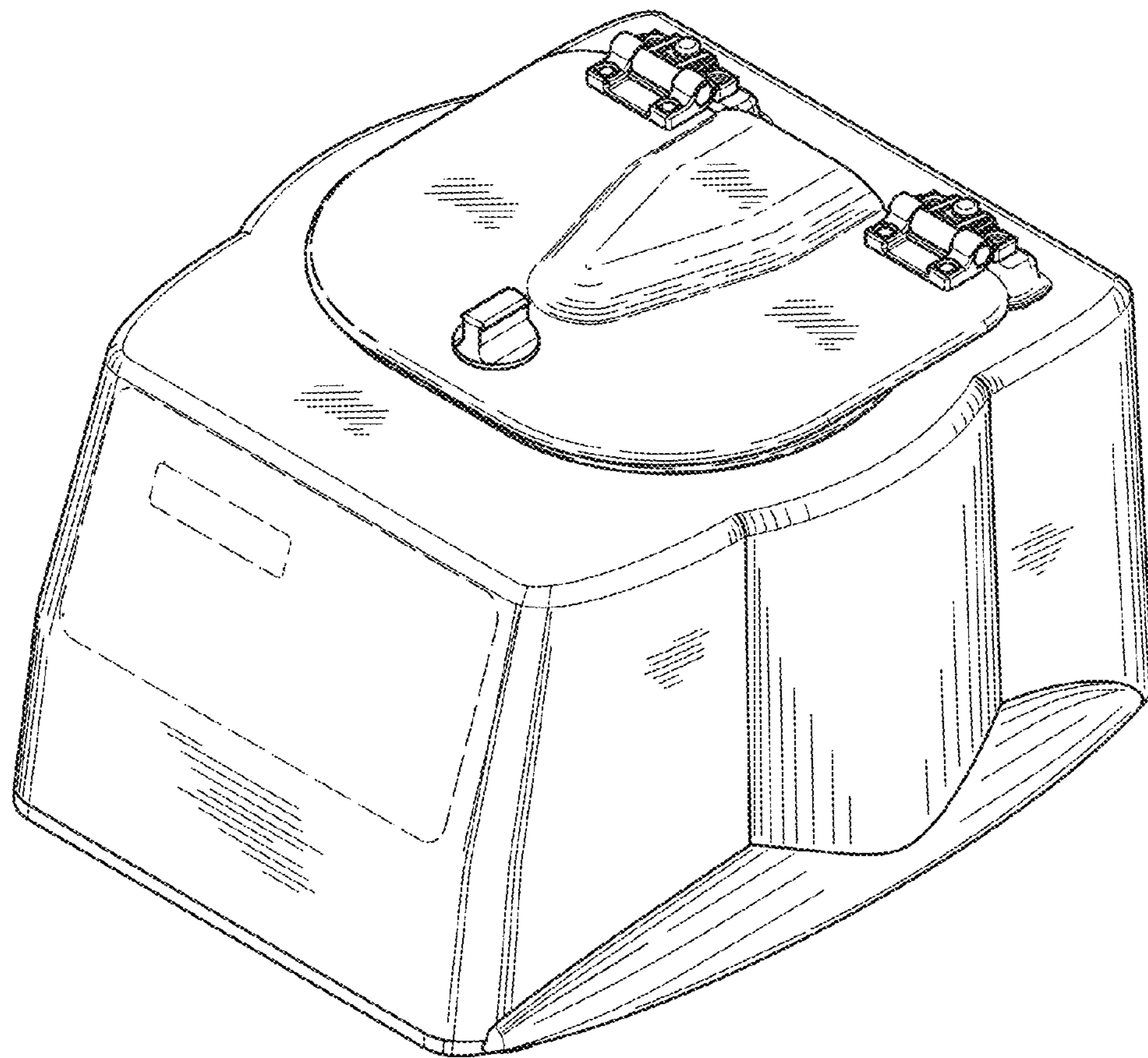


FIG. 1

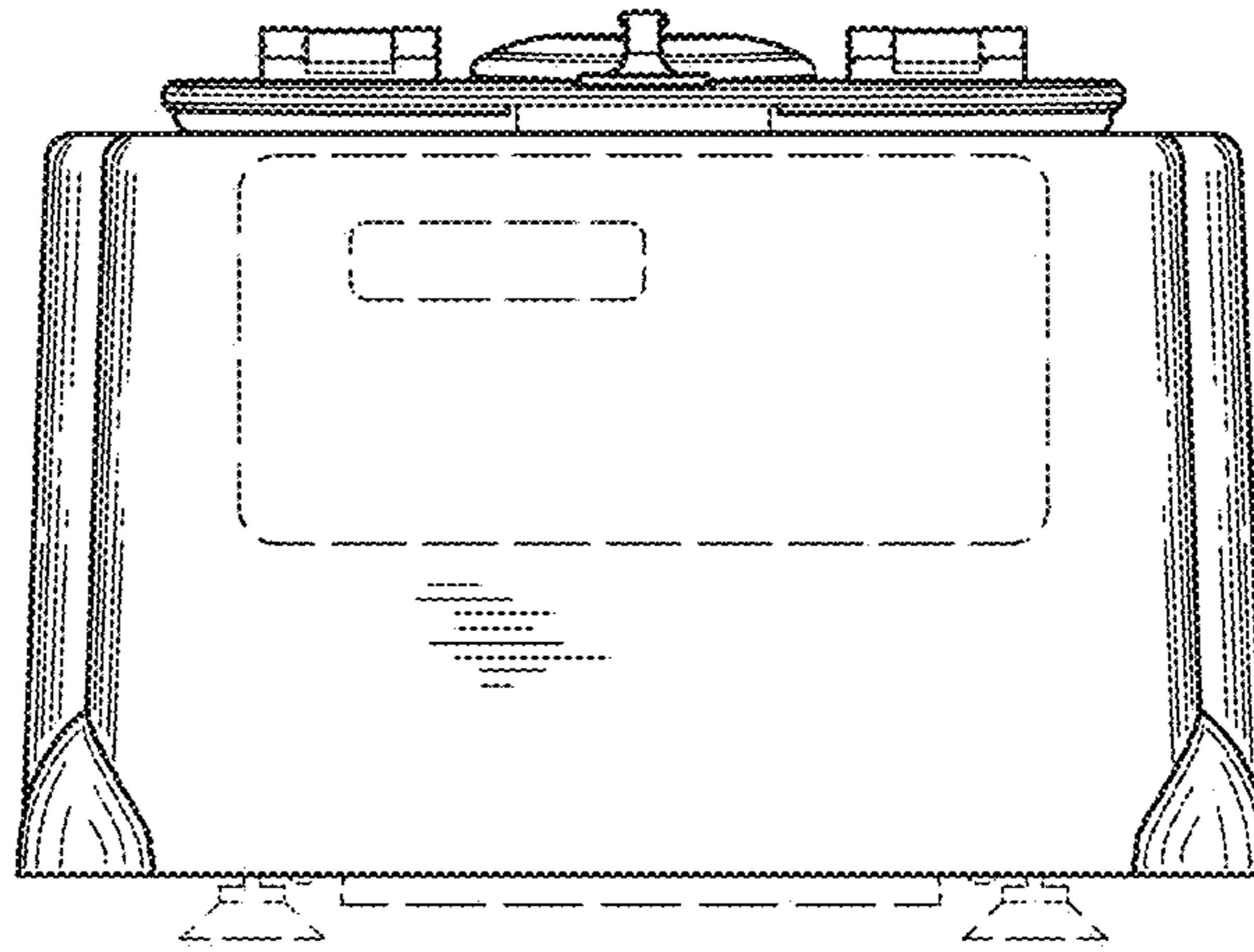


FIG. 2

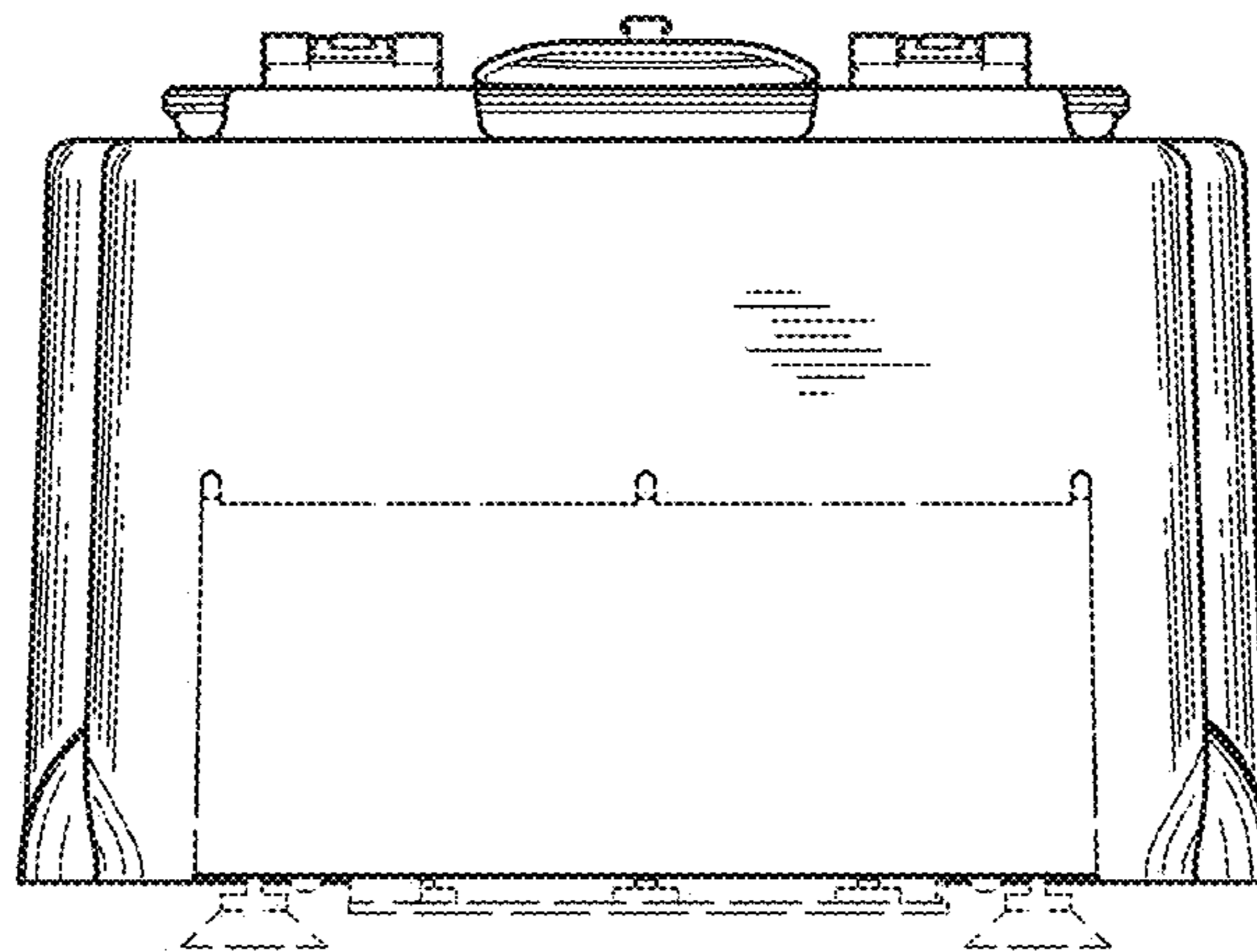


FIG. 3

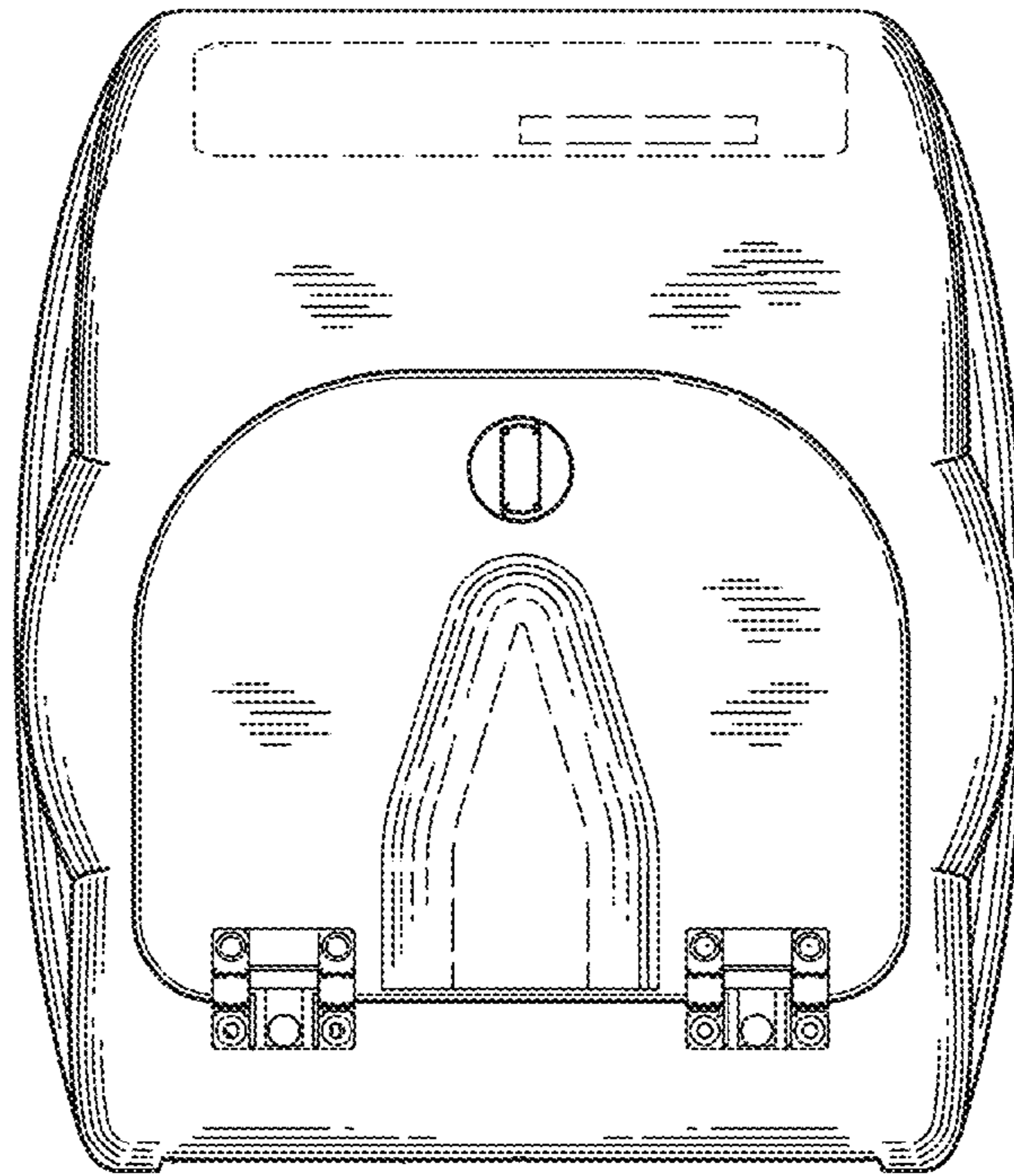


FIG. 4

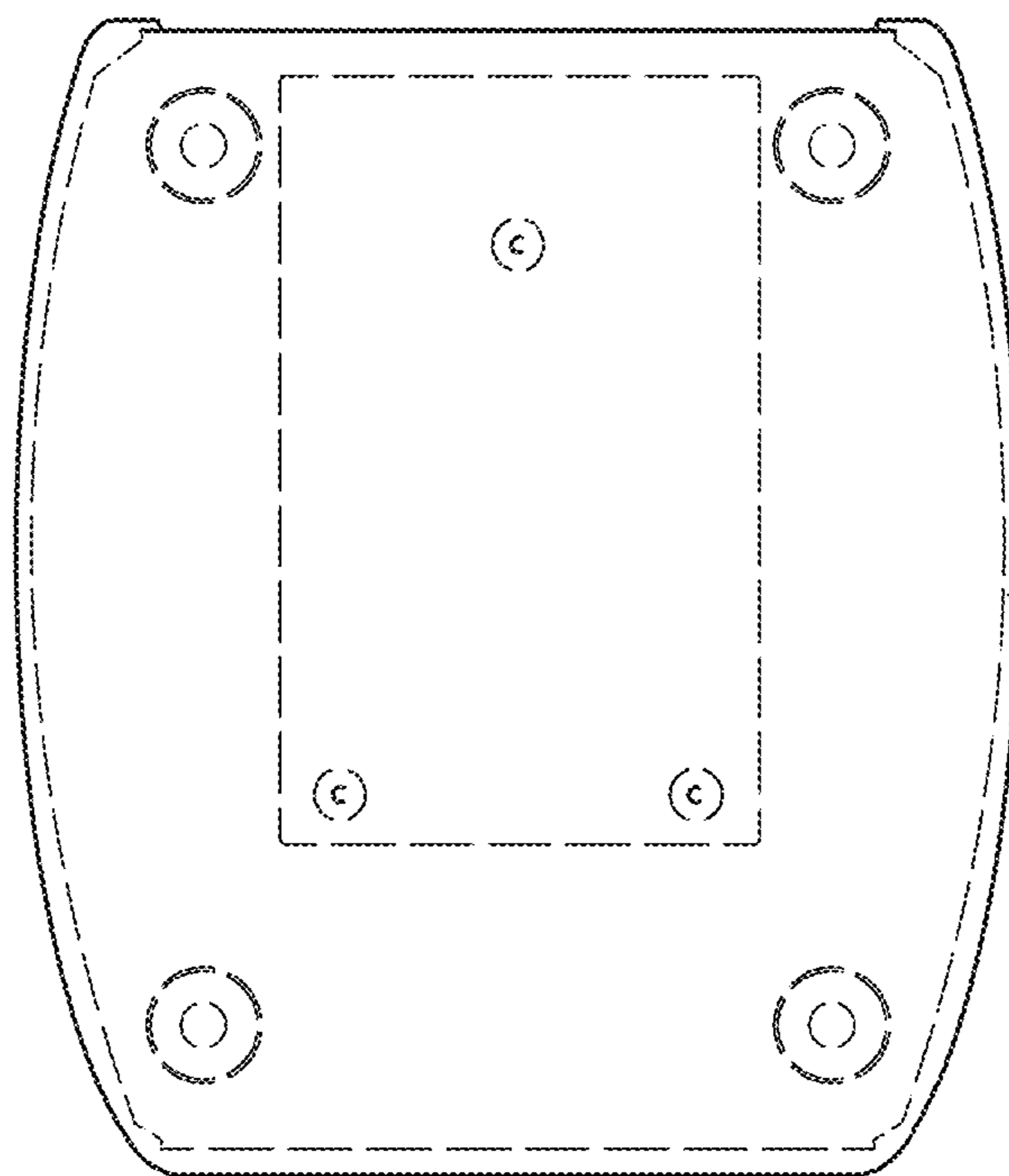


FIG. 5



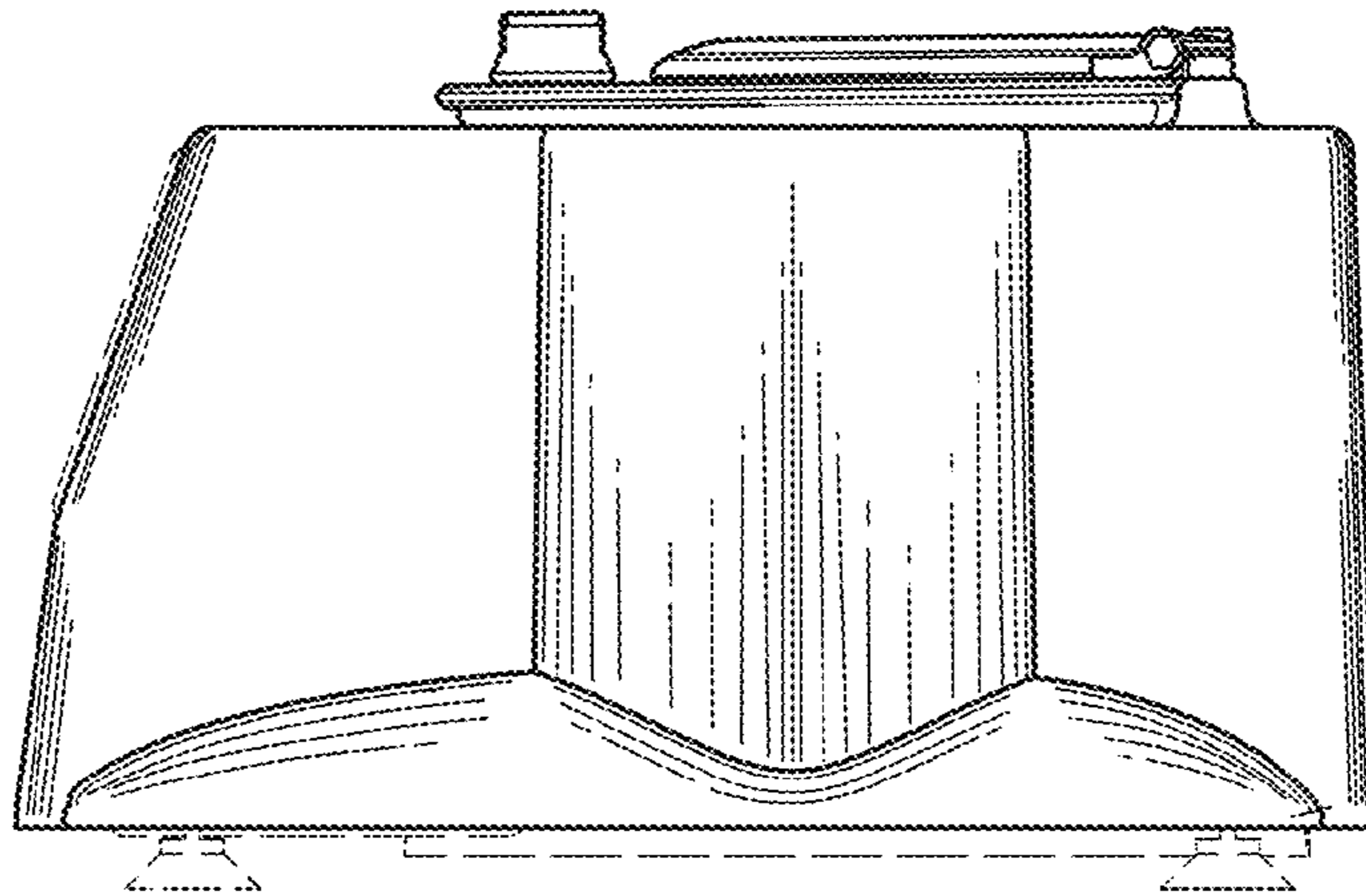


FIG. 6

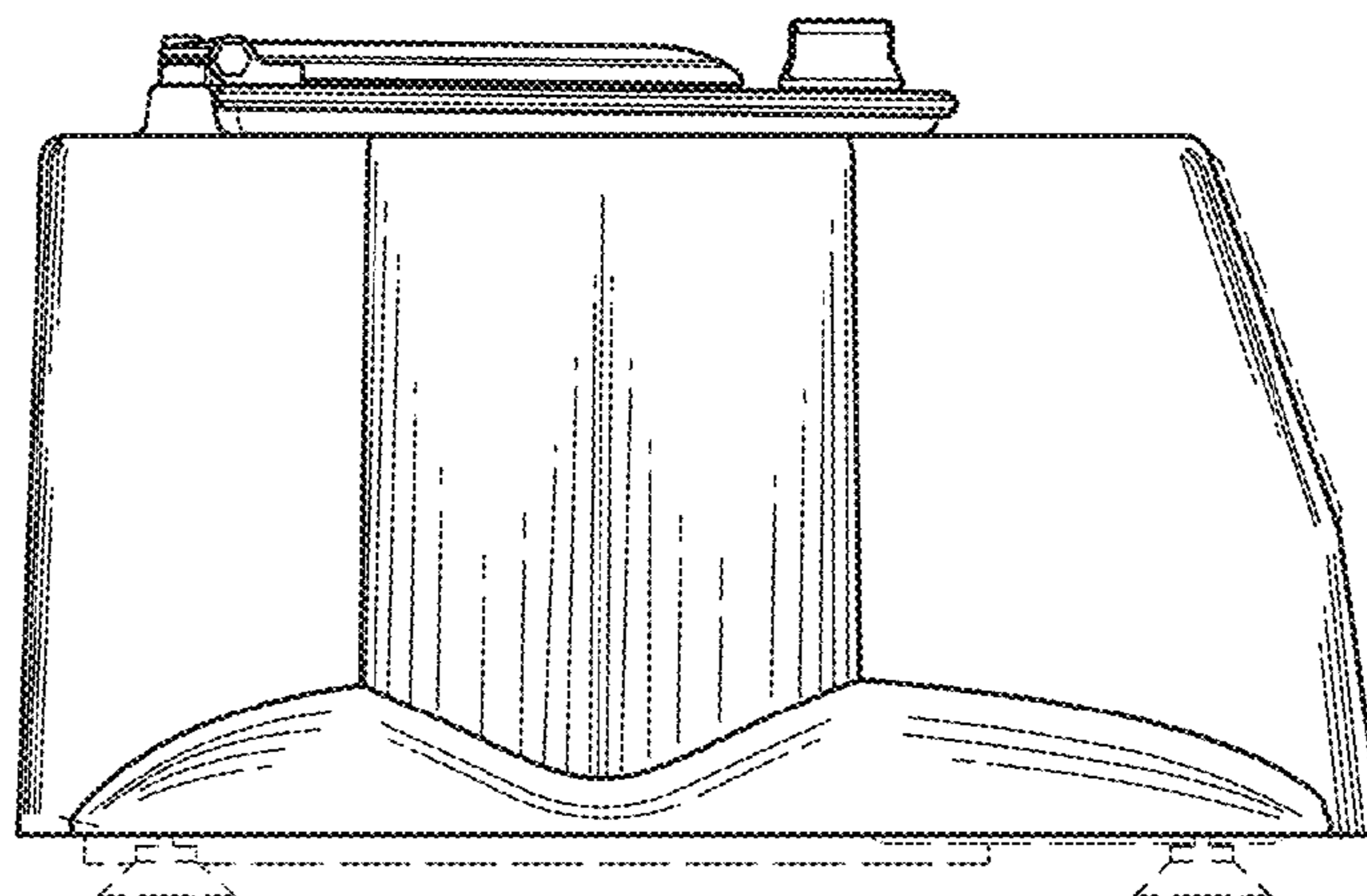


FIG. 7