

US00D734487S

(12) **United States Design Patent**
Ellingboe et al.

(10) **Patent No.:** **US D734,487 S**
(45) **Date of Patent:** **** Jul. 14, 2015**

(54) **CONNECTOR FOR A CENTRIFUGE
BALANCE BAG**

(71) Applicant: **Terumo BCT, Inc.**, Lakewood, CO (US)

(72) Inventors: **Bruce Ellingboe**, Littleton, CO (US);
Richard Alan Edrich, Denver, CO (US);
Jaime Estrada, Denver, CO (US);
Thomas Pearce, Littleton, CO (US)

(73) Assignee: **TERUMO BCT, INC.**, Lakewood, CO (US)

(**) Term: **14 Years**

(21) Appl. No.: **29/480,203**

(22) Filed: **Jan. 24, 2014**

(51) **LOC (10) Cl.** **24-01**

(52) **U.S. Cl.**
USPC **D24/219**; D24/129

(58) **Field of Classification Search**
USPC D24/216, 219, 186, 231, 232, 224, 227,
D24/121, 129, 118; D10/81; 422/72, 538,
422/548, 551, 555; 494/20, 21, 45, 60;
210/787

See application file for complete search history.

(56) **References Cited**

U.S. PATENT DOCUMENTS

3,987,961 A * 10/1976 Sinn et al. 494/45
D312,128 S * 11/1990 Headley D24/219
D374,616 S * 10/1996 Smith D24/224
D375,160 S * 10/1996 Sampson et al. D24/129

5,632,906 A * 5/1997 Ishida et al. 210/787
6,019,716 A * 2/2000 Forestell et al. 494/21
D435,291 S * 12/2000 Asfora D24/129
D435,653 S * 12/2000 Niedospial et al. D24/129
D483,869 S * 12/2003 Tran et al. D24/129
7,094,197 B2 8/2006 Hlavinka et al.
D577,443 S * 9/2008 Parmer et al. D24/224
7,674,221 B2 3/2010 Hudock et al.
7,819,793 B2 10/2010 Lindell et al.
D640,372 S * 6/2011 Grant et al. D24/129
D699,343 S * 2/2014 Clements et al. D24/118
D712,536 S * 9/2014 Kuhlow D24/118
2011/0294641 A1 12/2011 Dolecek et al.

* cited by examiner

Primary Examiner — Anhdao Doan

(74) *Attorney, Agent, or Firm* — René A. Pereyra

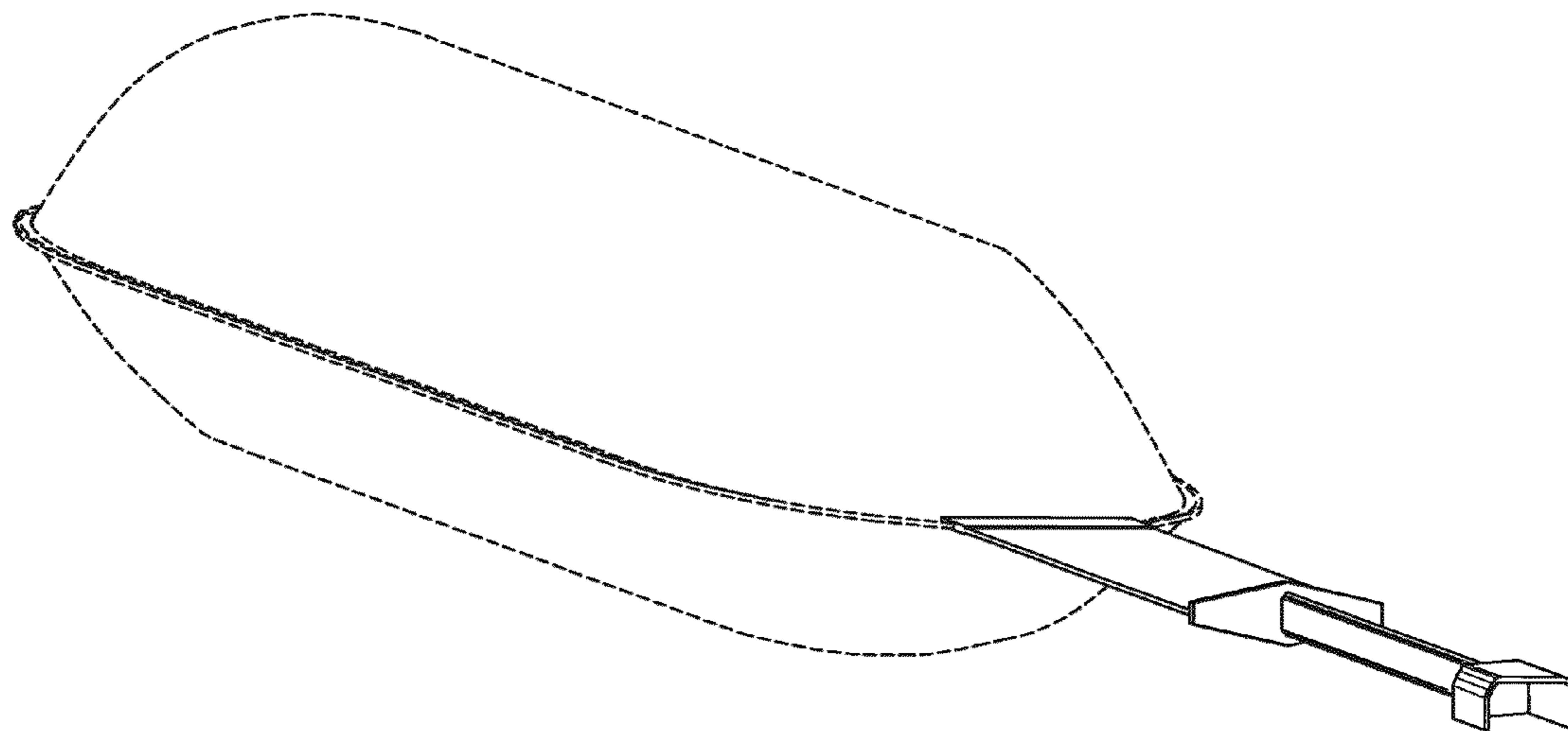
(57) **CLAIM**

The ornamental design for a connector for a centrifuge balance bag, as shown and described.

DESCRIPTION

FIG. 1 is a perspective view of the connector for a centrifuge balance bag showing the new design;
FIG. 2 is a front elevational view thereof;
FIG. 3 is a back elevational view thereof;
FIG. 4 is a top plan view thereof;
FIG. 5 is a bottom plan view thereof;
FIG. 6 is a side elevational view thereof; and,
FIG. 7 is another side elevational view thereof.
The centrifuge balance bag is shown in broken lines to show environment for illustrative purposes only, and forms no part of the claimed design.

1 Claim, 5 Drawing Sheets



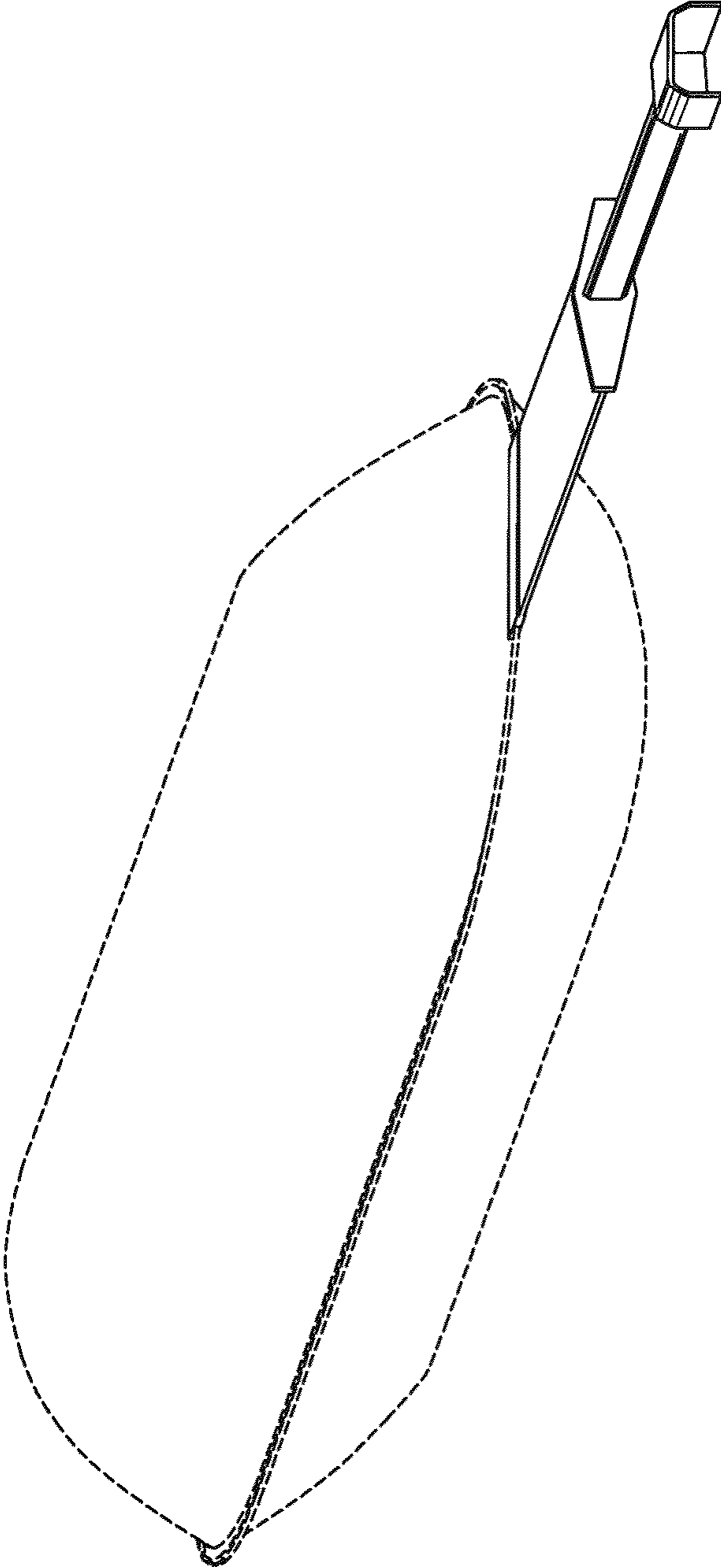


FIG. 1

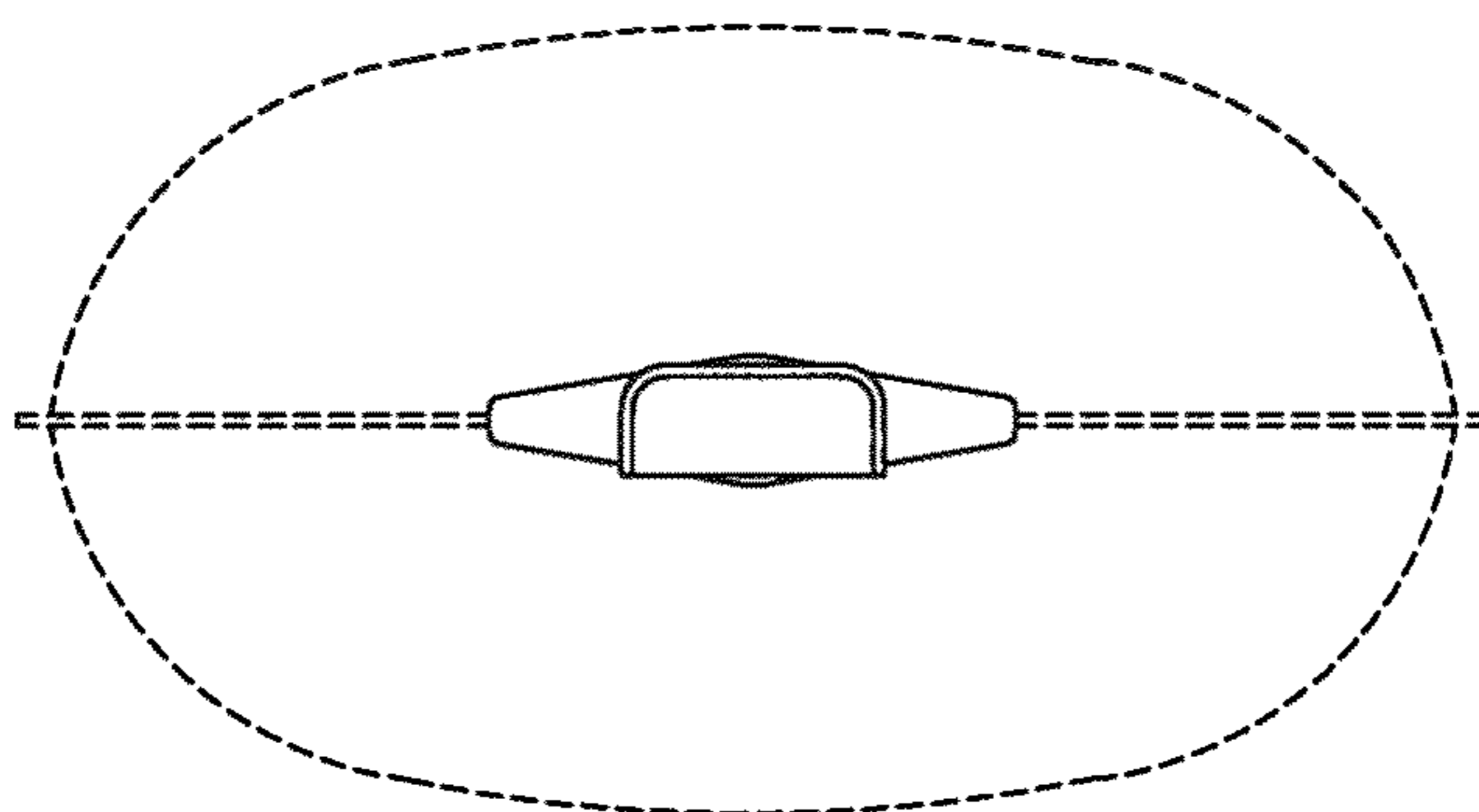


FIG. 2

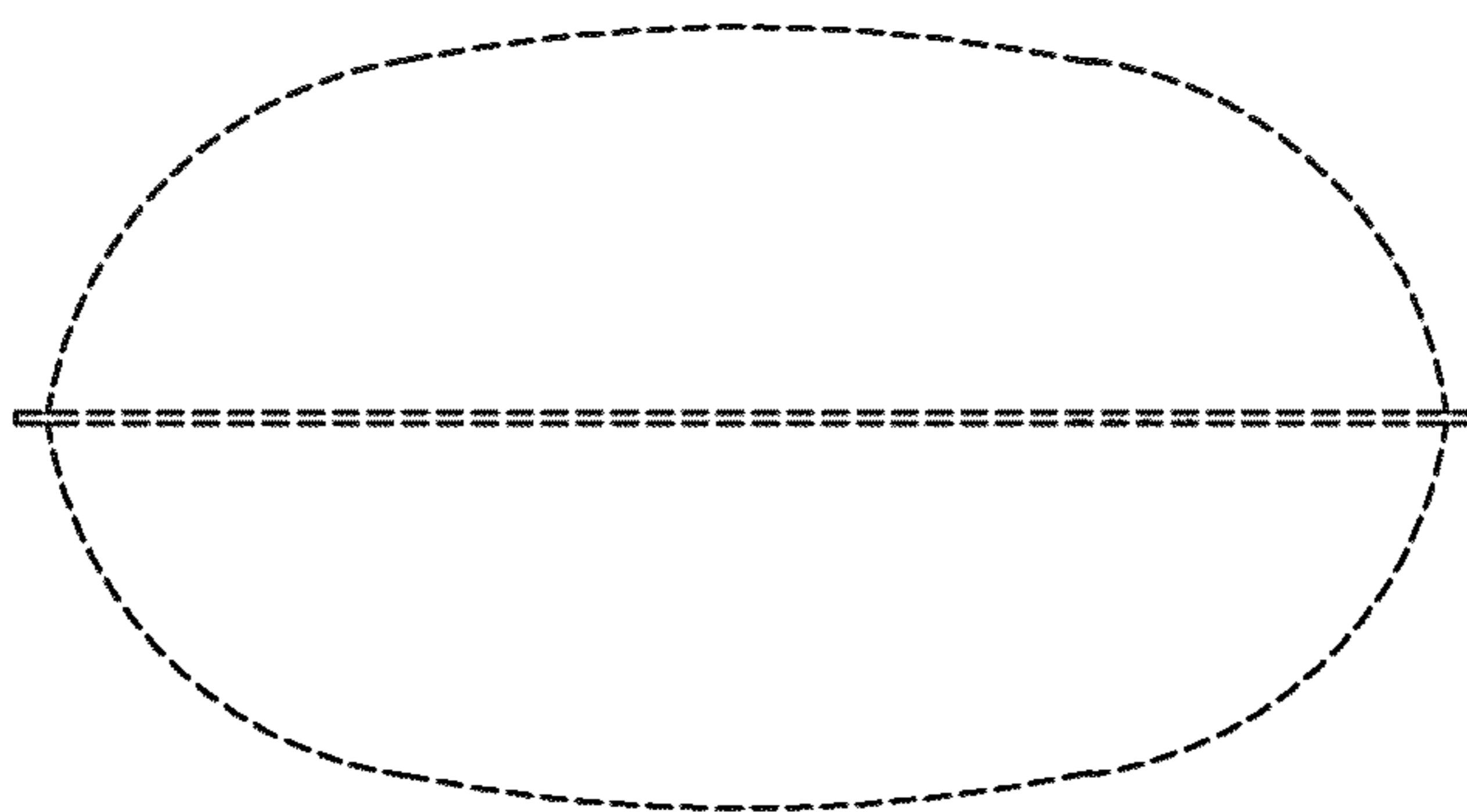


FIG. 3

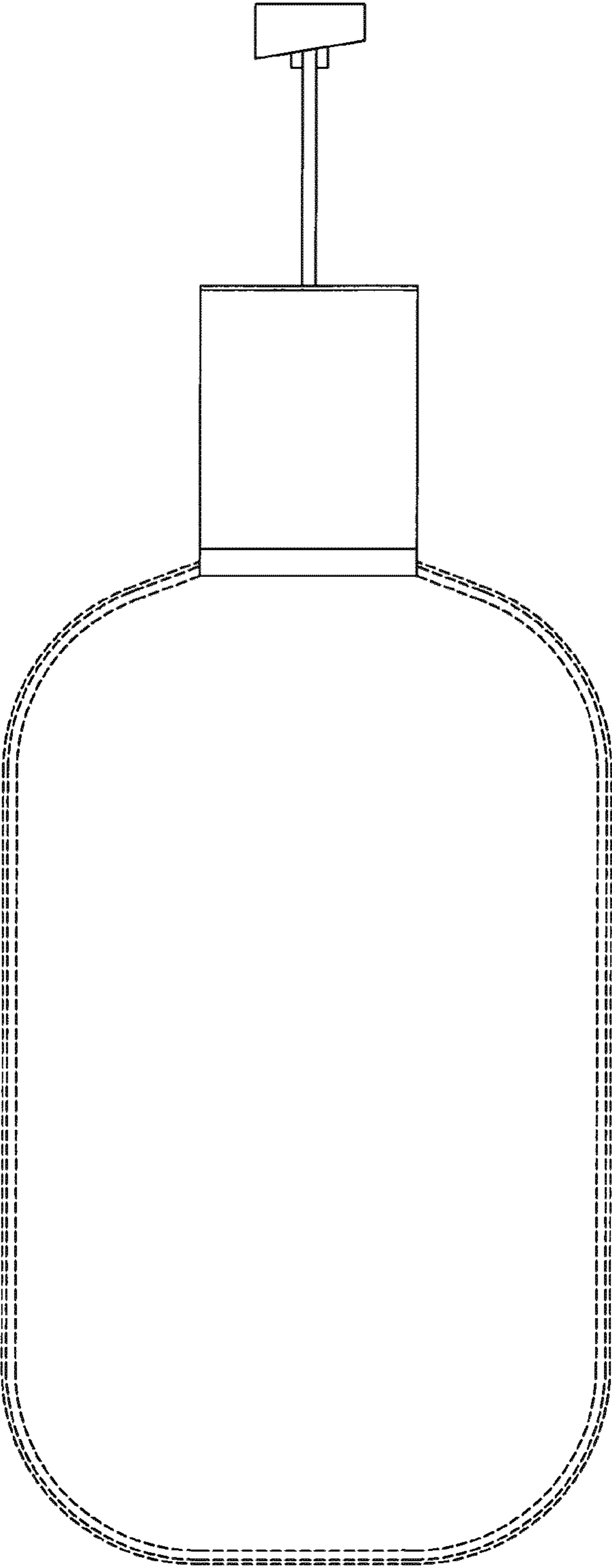


FIG. 4

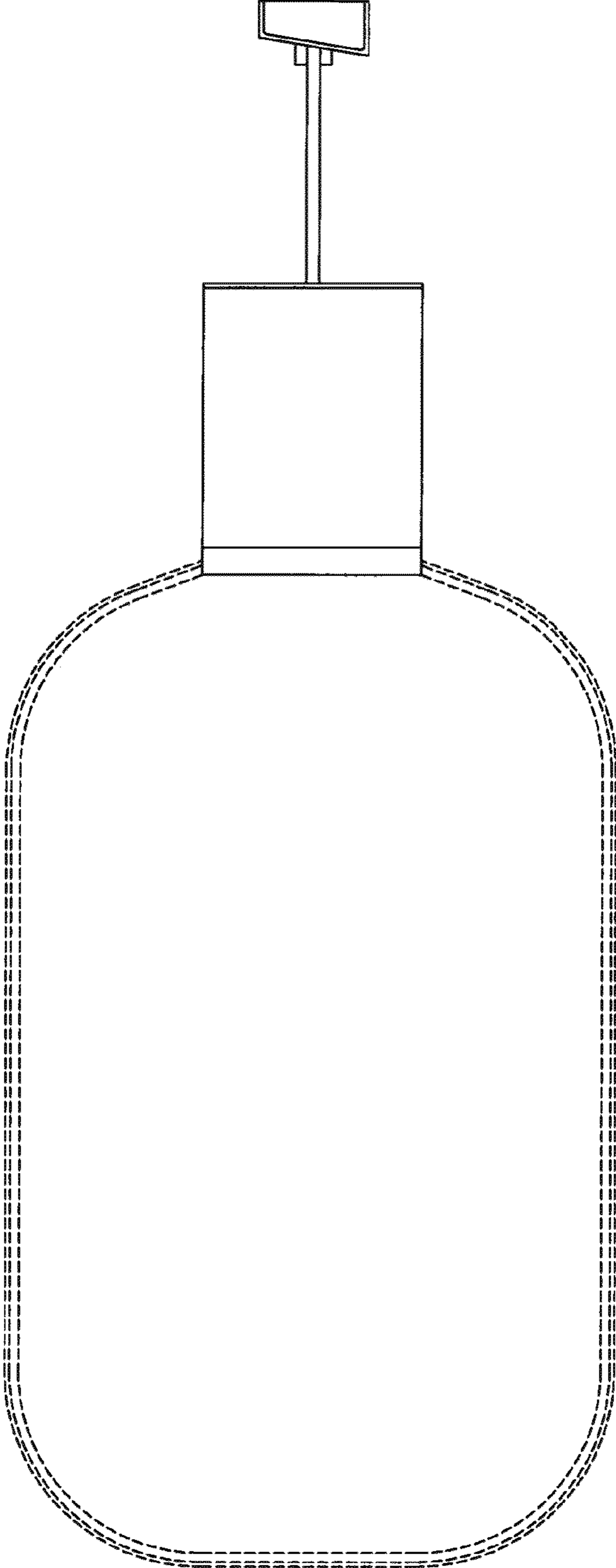


FIG. 5

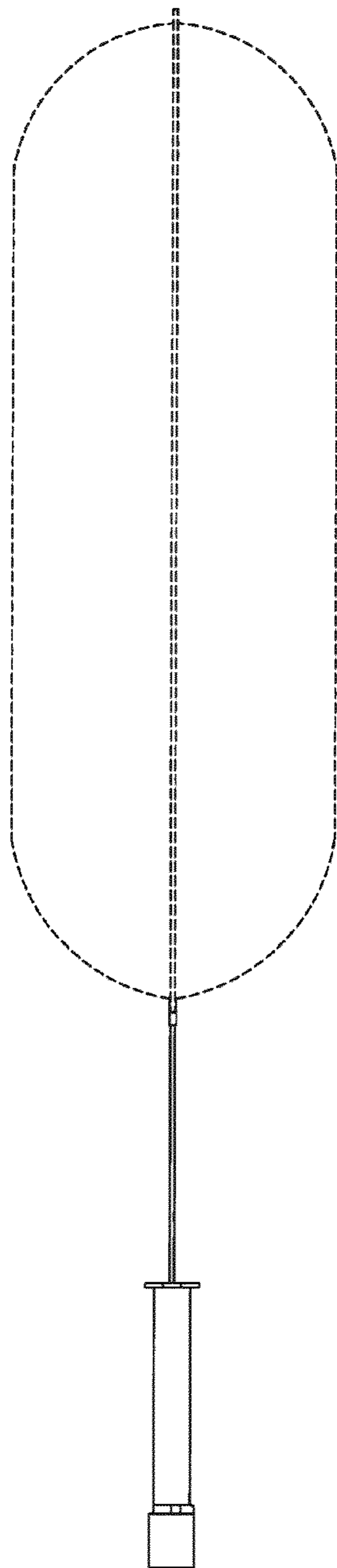


FIG. 6

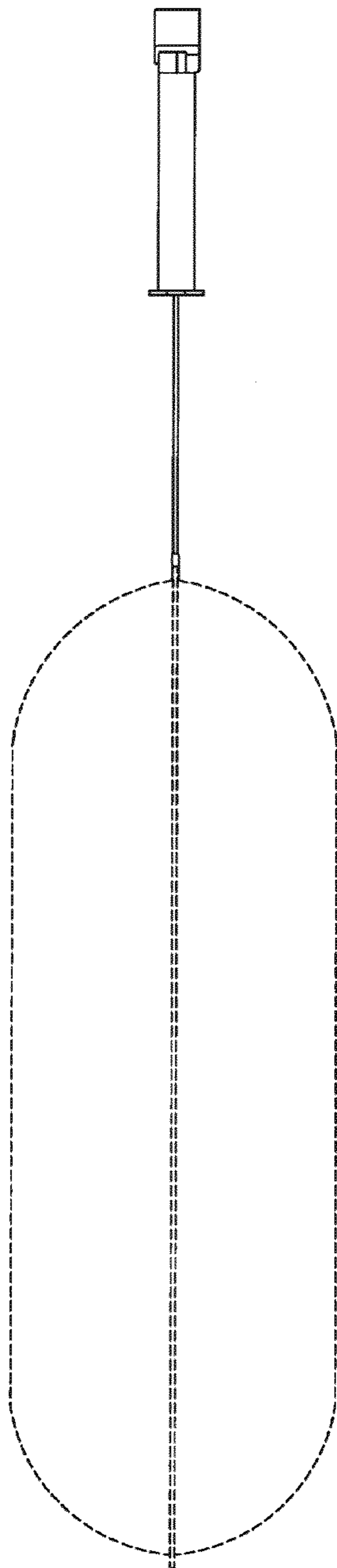


FIG. 7