



US00D734484S

(12) **United States Design Patent**
Nishikawa et al.

(10) **Patent No.:** **US D734,484 S**
(45) **Date of Patent:** **** Jul. 14, 2015**

(54) **LIQUID CHROMATOGRAPH**

(71) Applicant: **SEKISUI MEDICAL CO., LTD.**,
Tokyo (JP)
(72) Inventors: **Masato Nishikawa**, Osaka (JP);
Takayuki Oka, Tokyo (JP); **Takuya**
Yotani, Tokyo (JP)
(73) Assignee: **SEKISUI MEDICAL CO., LTD.**,
Tokyo (JP)

(**) Term: **14 Years**

(21) Appl. No.: **29/480,095**

(22) Filed: **Jan. 23, 2014**

(30) **Foreign Application Priority Data**

Jul. 26, 2013 (JP) 2013-017073

(51) **LOC (10) Cl.** **24-01**

(52) **U.S. Cl.**
USPC **D24/216; D24/232**

(58) **Field of Classification Search**
USPC D24/216, 219, 223, 231, 232, 233, 186,
D24/107; D10/81; 96/102, 105, 107;
436/161; 73/863.01, 863.02, 863.03,
73/863.31, 863.32; 250/288; 530/413;
210/635, 656, 657, 198.2

See application file for complete search history.

(56) **References Cited**

U.S. PATENT DOCUMENTS

5,223,222	A	*	6/1993	Ricchio et al.	422/63
D356,967	S	*	4/1995	Takekoshi et al.	D10/81
D364,576	S	*	11/1995	Glaser	D10/81
D422,925	S	*	4/2000	Glaser et al.	D10/81
D599,234	S	*	9/2009	Ito	D10/81
D599,236	S	*	9/2009	Oberg	D10/81
D637,931	S	*	5/2011	Kimura et al.	D10/81
D661,607	S	*	6/2012	Dinter et al.	D10/81
D692,157	S	*	10/2013	Matoba et al.	D24/216
D693,713	S	*	11/2013	Noda et al.	D24/232

* cited by examiner

Primary Examiner — Anhdao Doan

(74) *Attorney, Agent, or Firm* — Bacon & Thomas, PLLC

(57) **CLAIM**

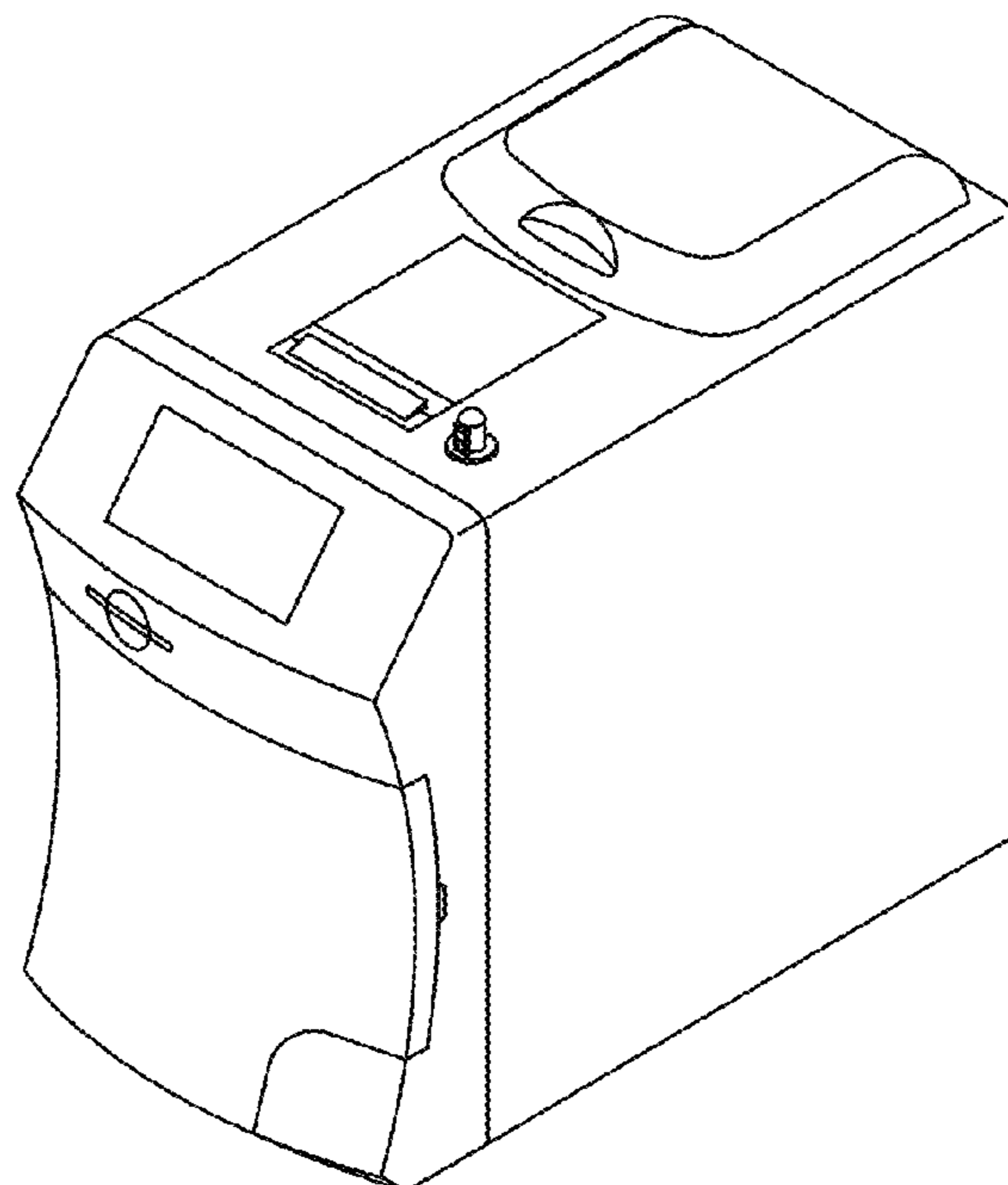
The ornamental design for liquid chromatograph, as shown and described.

DESCRIPTION

FIG. 1 is a perspective view of the invention.
FIG. 2 is a front view of the invention.
FIG. 3 is a rear view of the invention.
FIG. 4 is a top plan view of the invention.
FIG. 5 is a bottom plan view of the invention.
FIG. 6 is a right side view of the invention.
FIG. 7 is a left side view of the invention; and,
FIG. 8 is a vertical sectional view of the invention along line 8-8 of FIG. 2.

The broken lines illustrate unclaimed portions of the liquid chromatograph and form no part of the claimed design.

1 Claim, 8 Drawing Sheets



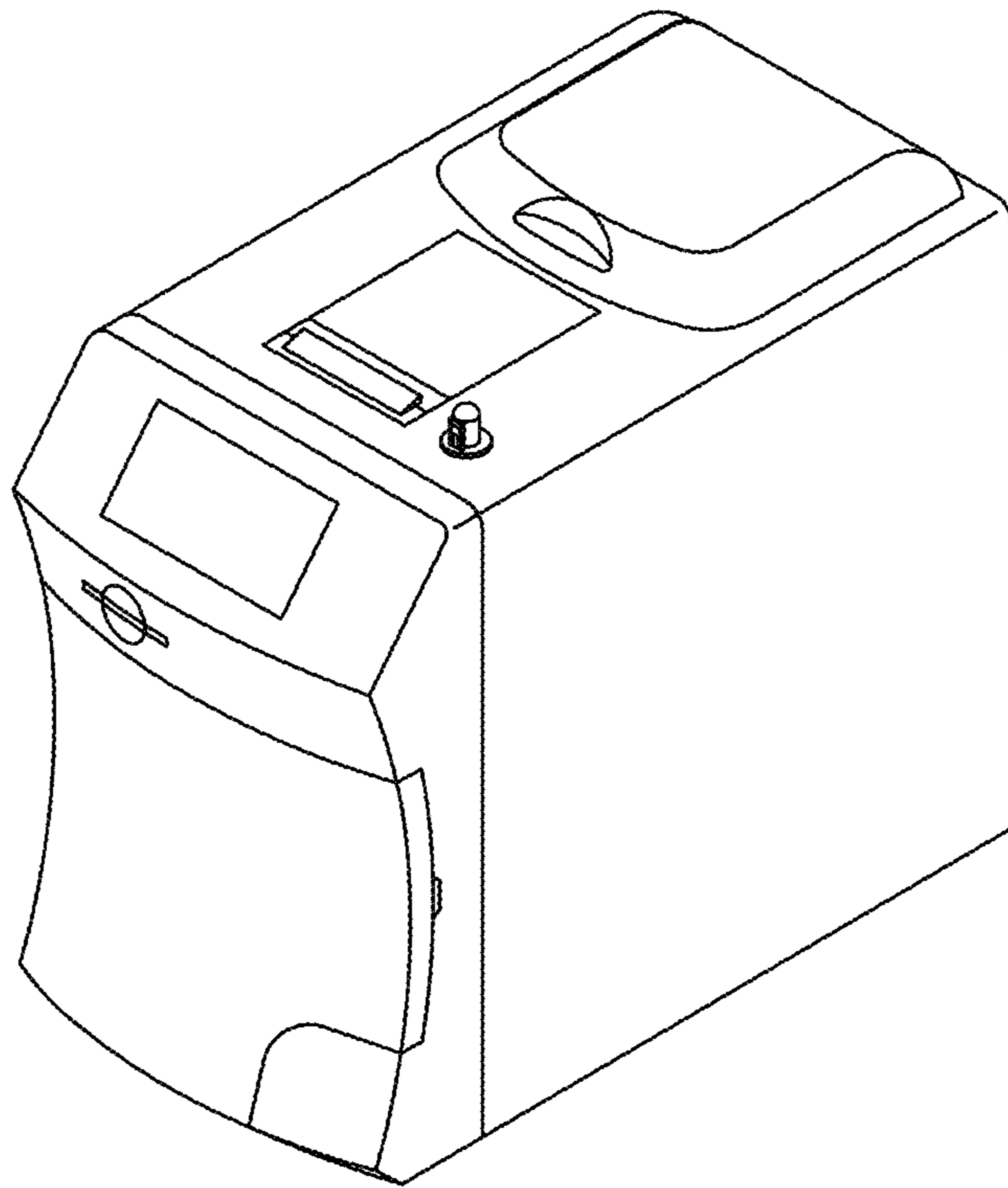


FIG. 1

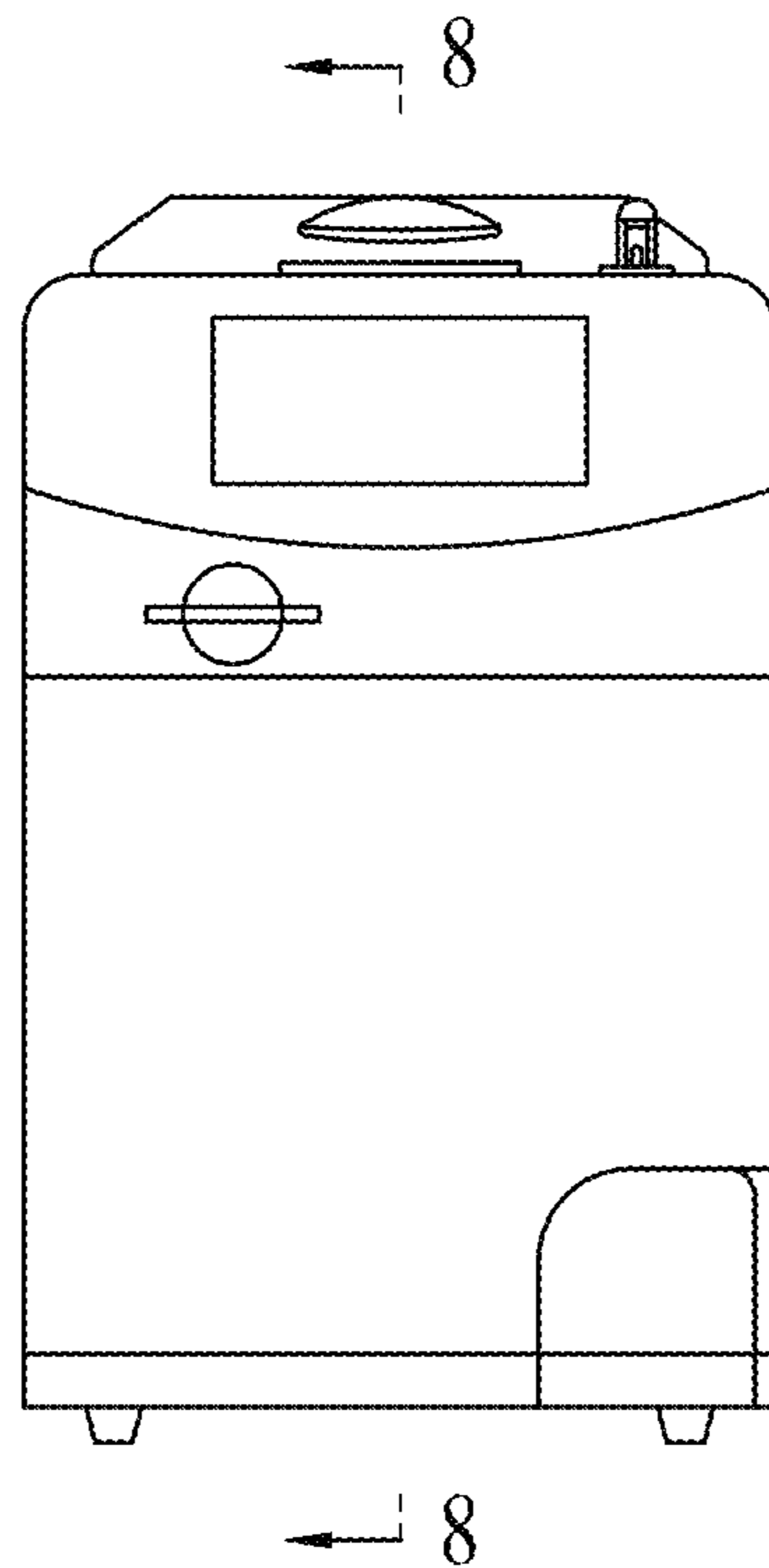


FIG. 2

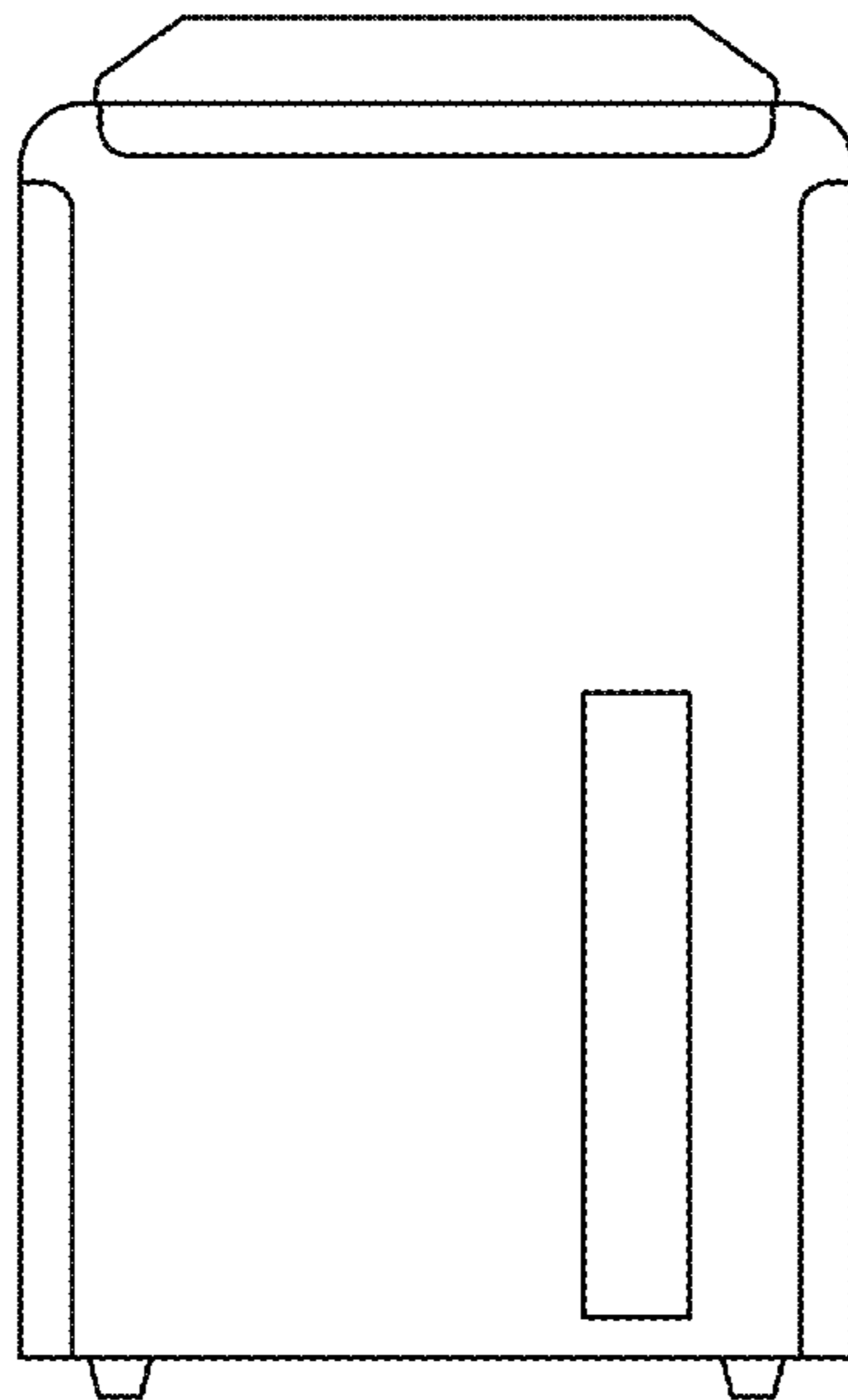


FIG. 3

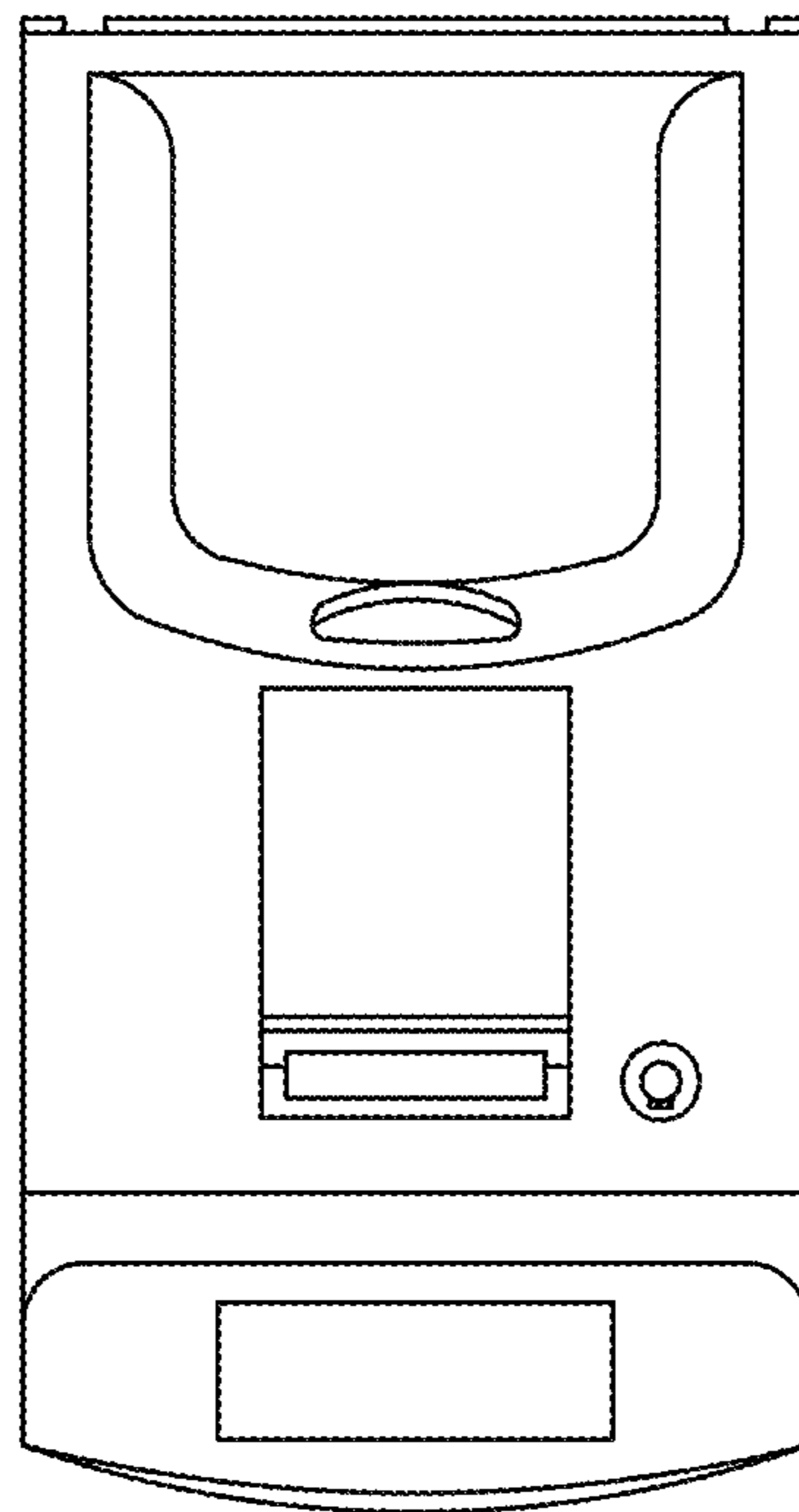


FIG. 4

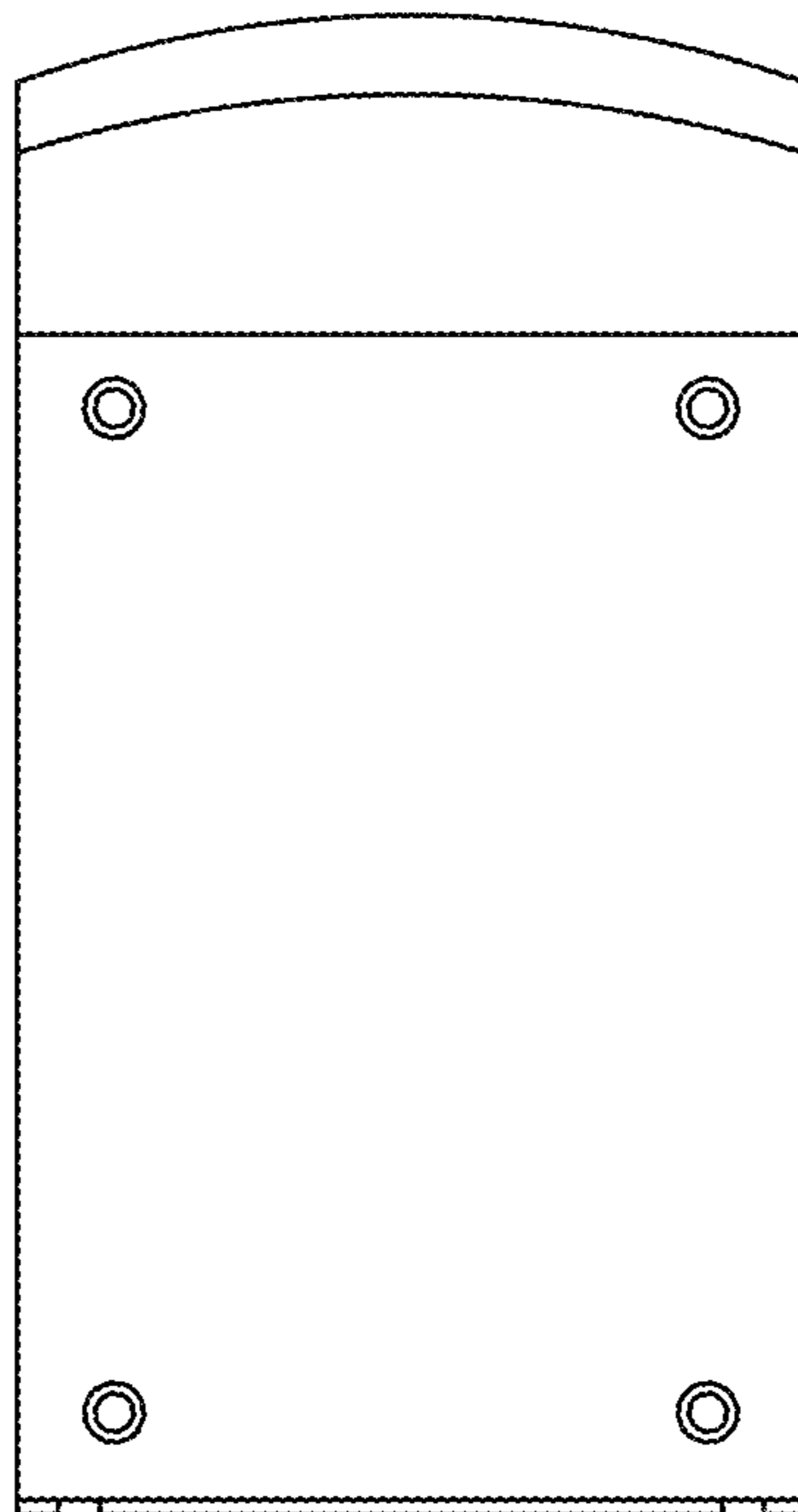


FIG. 5

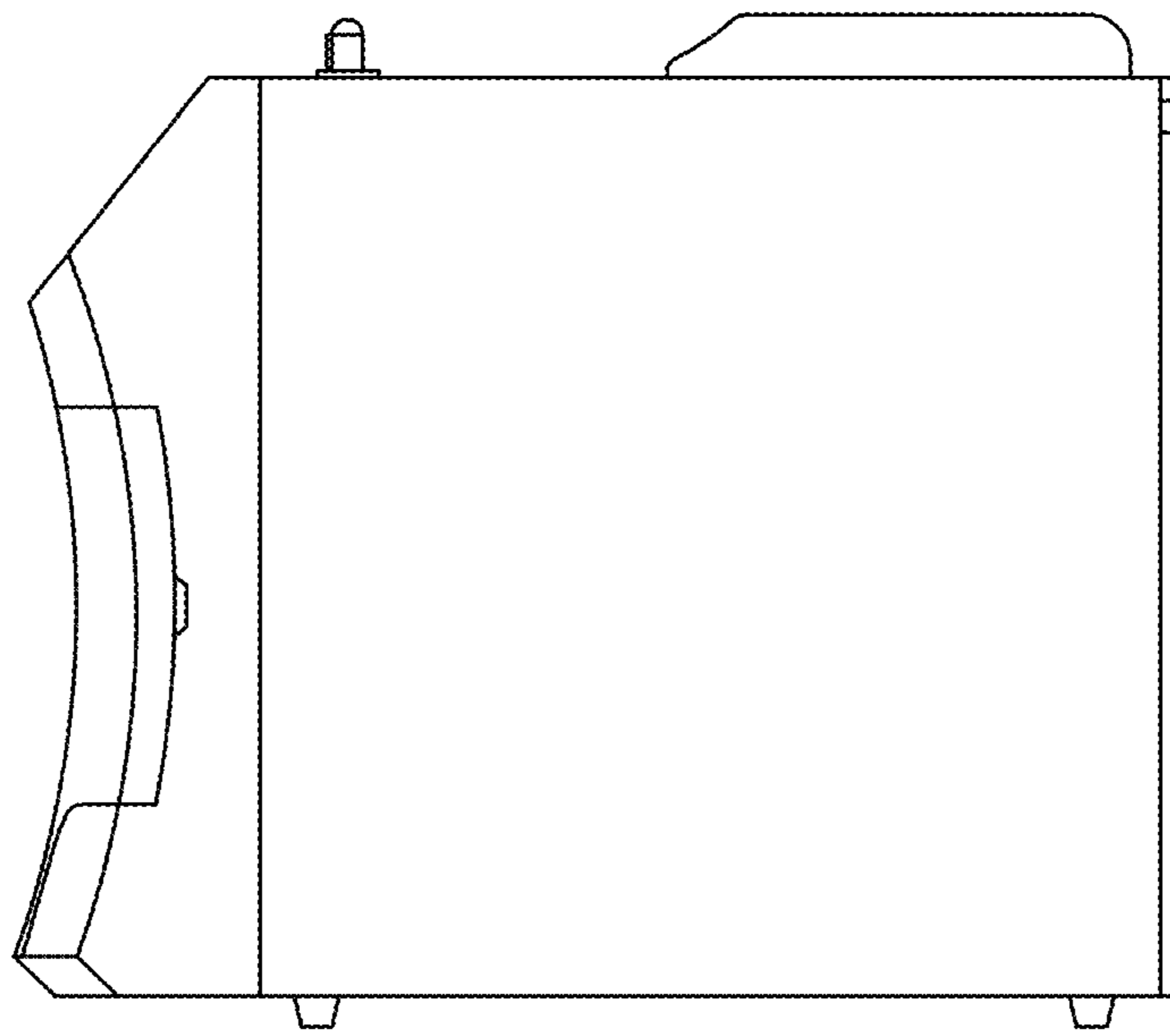


FIG. 6

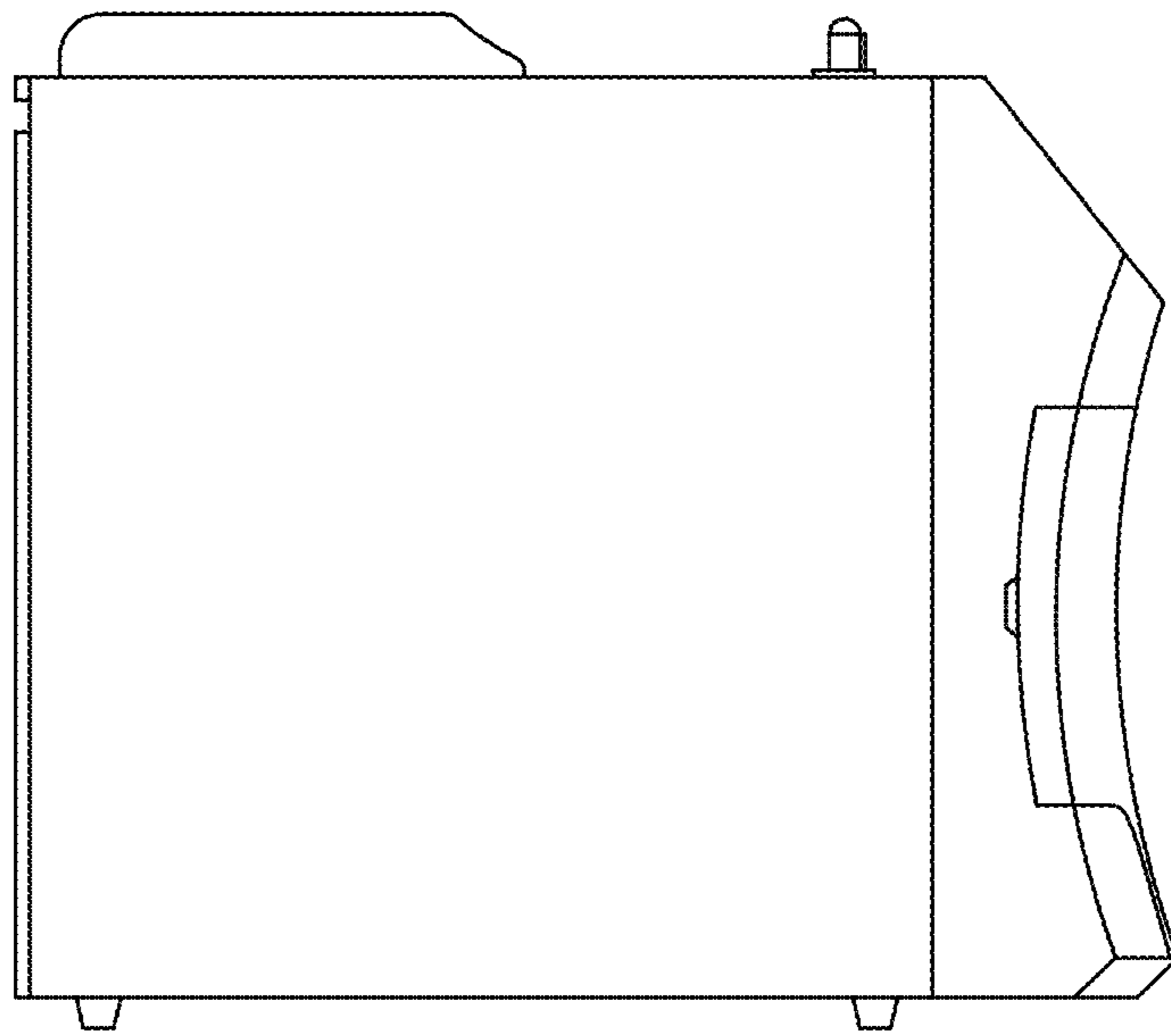


FIG. 7

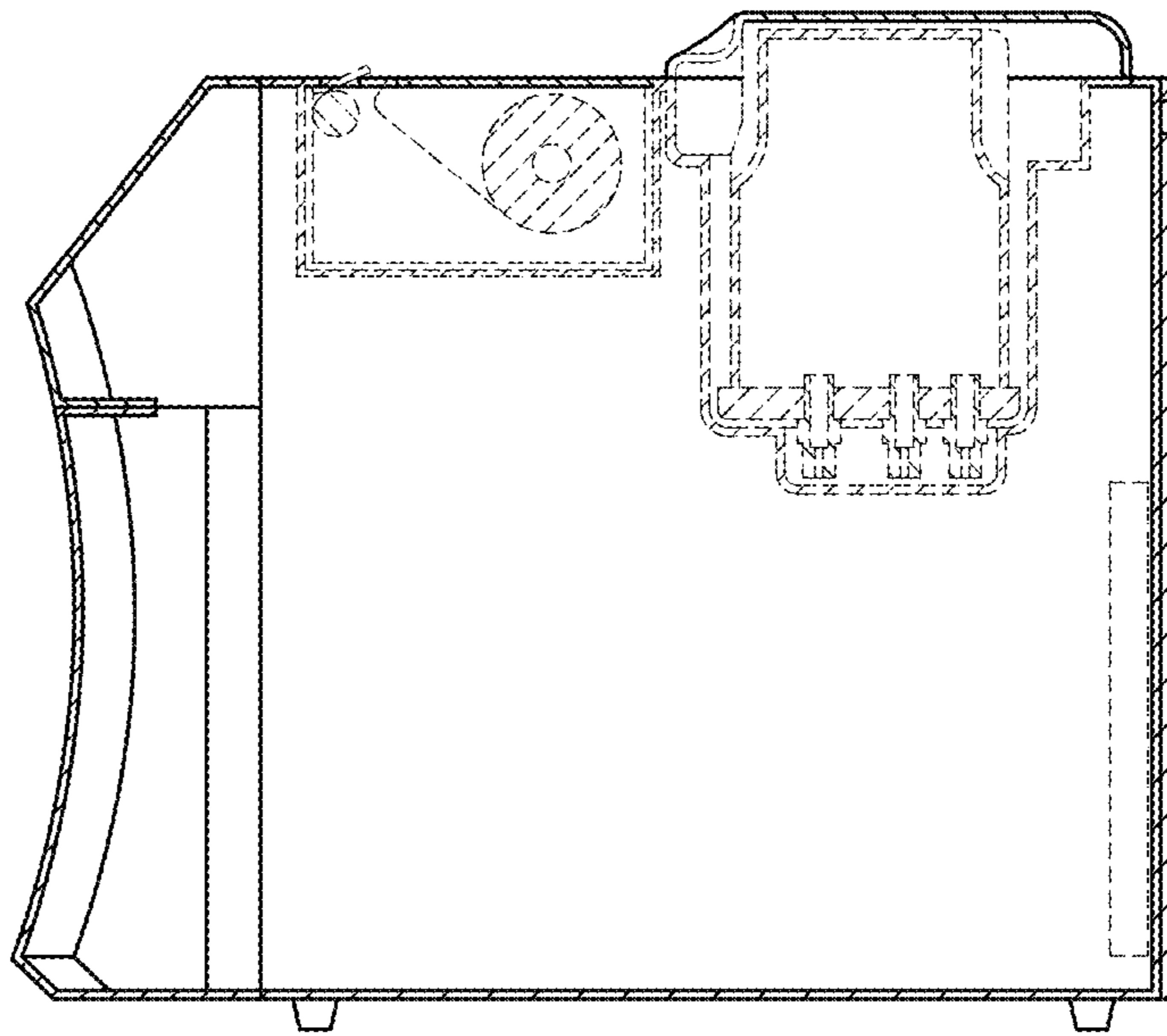


FIG.8