



US00D734480S

(12) **United States Design Patent**
Jones

(10) **Patent No.:** **US D734,480 S**
(45) **Date of Patent:** **** Jul. 14, 2015**

- (54) **MESSAGE ROLLER**
- (71) Applicant: **Dylan Jones**, Santa Barbara, CA (US)
- (72) Inventor: **Dylan Jones**, Santa Barbara, CA (US)
- (**) Term: **14 Years**
- (21) Appl. No.: **29/509,295**
- (22) Filed: **Nov. 15, 2014**
- (51) **LOC (10) Cl.** **28-03**
- (52) **U.S. Cl.**
USPC **D24/211**
- (58) **Field of Classification Search**
USPC D24/200, 211, 212, 213, 214, 215;
601/110–114, 120, 121, 124, 125, 129,
601/131, 134, 135, 136, 137
CPC A61H 19/30; A61H 19/32; A61H 19/34;
A61H 19/40; A61H 19/44; A61H 19/50;
A61H 19/00; A61H 2201/1253; A61H
2205/082; A61H 2205/085; A61H 2205/087;
A61H 15/0085
See application file for complete search history.

- D660,450 S * 5/2012 Johnson D24/215
- D674,107 S * 1/2013 Prudent et al. D24/211
- D676,140 S * 2/2013 Feightner D24/212
- D682,436 S * 5/2013 Lowsky D24/194
- D688,384 S * 8/2013 Soliman D24/215
- D699,794 S * 2/2014 Wauldron et al. D21/662

* cited by examiner

Primary Examiner — Sandra Snapp
(74) *Attorney, Agent, or Firm* — QuickPatents; Kevin Prince

(57) **CLAIM**
I claim the ornamental design for a massage roller, as shown and described.

DESCRIPTION

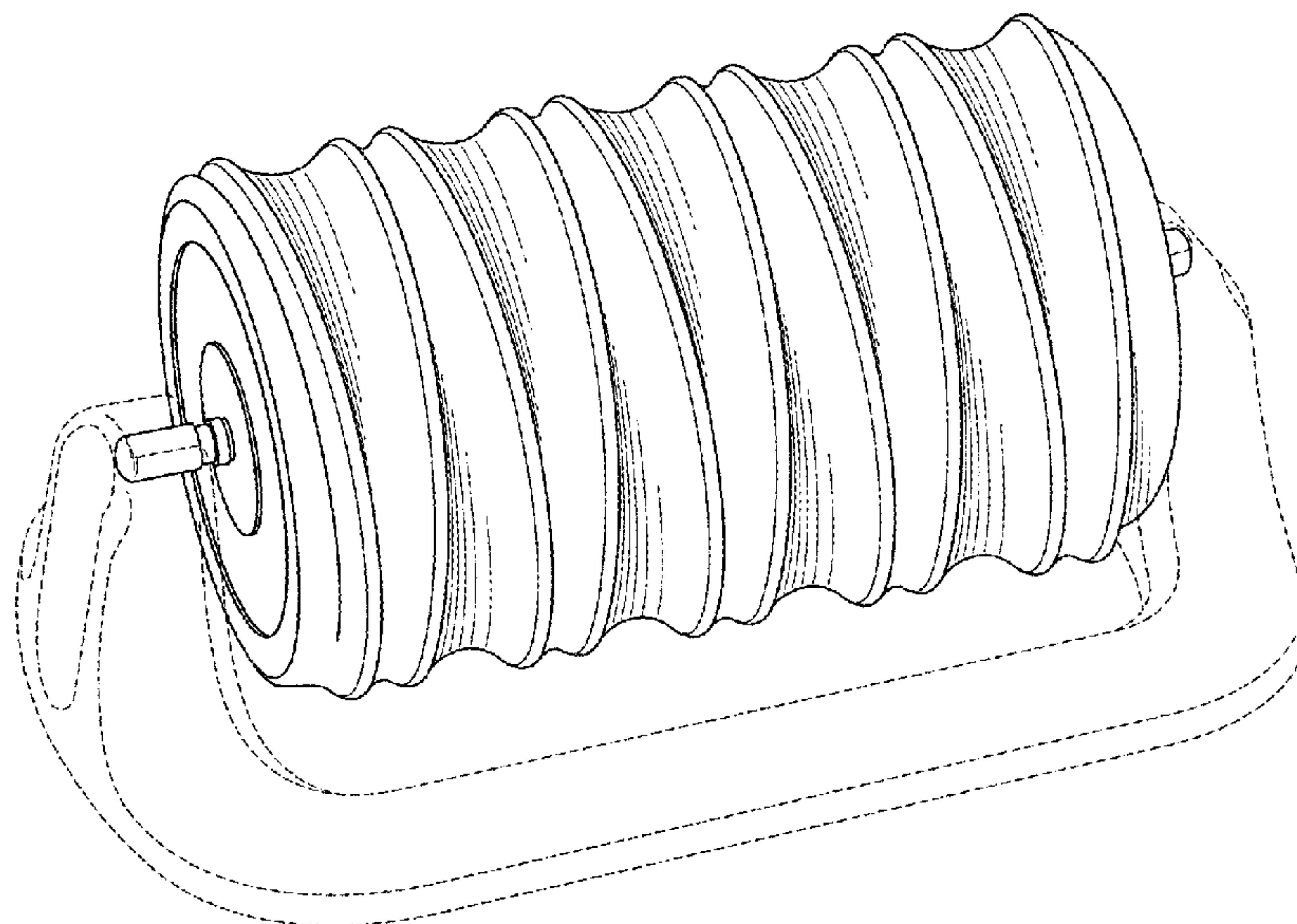
FIG. 1 is a perspective view of a massage roller, showing a first embodiment of my new design;
 FIG. 2 is a left-side elevational view of FIG. 1;
 FIG. 3 is a right-side elevational view of FIG. 1;
 FIG. 4 is a top plan view of FIG. 1;
 FIG. 5 is a bottom plan view of FIG. 1;
 FIG. 6 is a front elevational view of FIG. 1;
 FIG. 7 is a rear elevational view of FIG. 1;
 FIG. 8 is a perspective view of a second embodiment thereof;
 FIG. 9 is a left-side elevational view of FIG. 8;
 FIG. 10 is a right-side elevational view of FIG. 8;
 FIG. 11 is a top plan view of FIG. 8;
 FIG. 12 is a bottom plan view of FIG. 8;
 FIG. 13 is a front elevational view of FIG. 8; and,
 FIG. 14 is a rear elevational view of FIG. 8.
 The broken lines showing a cradle in FIG. 1 and handles in FIG. 2 depict environmental matter and form no part of the claimed design.

(56) **References Cited**

U.S. PATENT DOCUMENTS

- 3,419,268 A * 12/1968 Bellet 482/132
- 3,548,814 A * 12/1970 Montgomery et al. 601/118
- D249,551 S * 9/1978 Greenawalt D24/211
- D285,117 S * 8/1986 Snyder D24/211
- D371,202 S * 6/1996 Zajas et al. D24/211
- D475,464 S * 6/2003 Chen D24/211
- D477,414 S * 7/2003 Chen D24/211
- 6,764,454 B2 * 7/2004 Tu 601/15
- D527,830 S * 9/2006 Chien D24/211

1 Claim, 6 Drawing Sheets



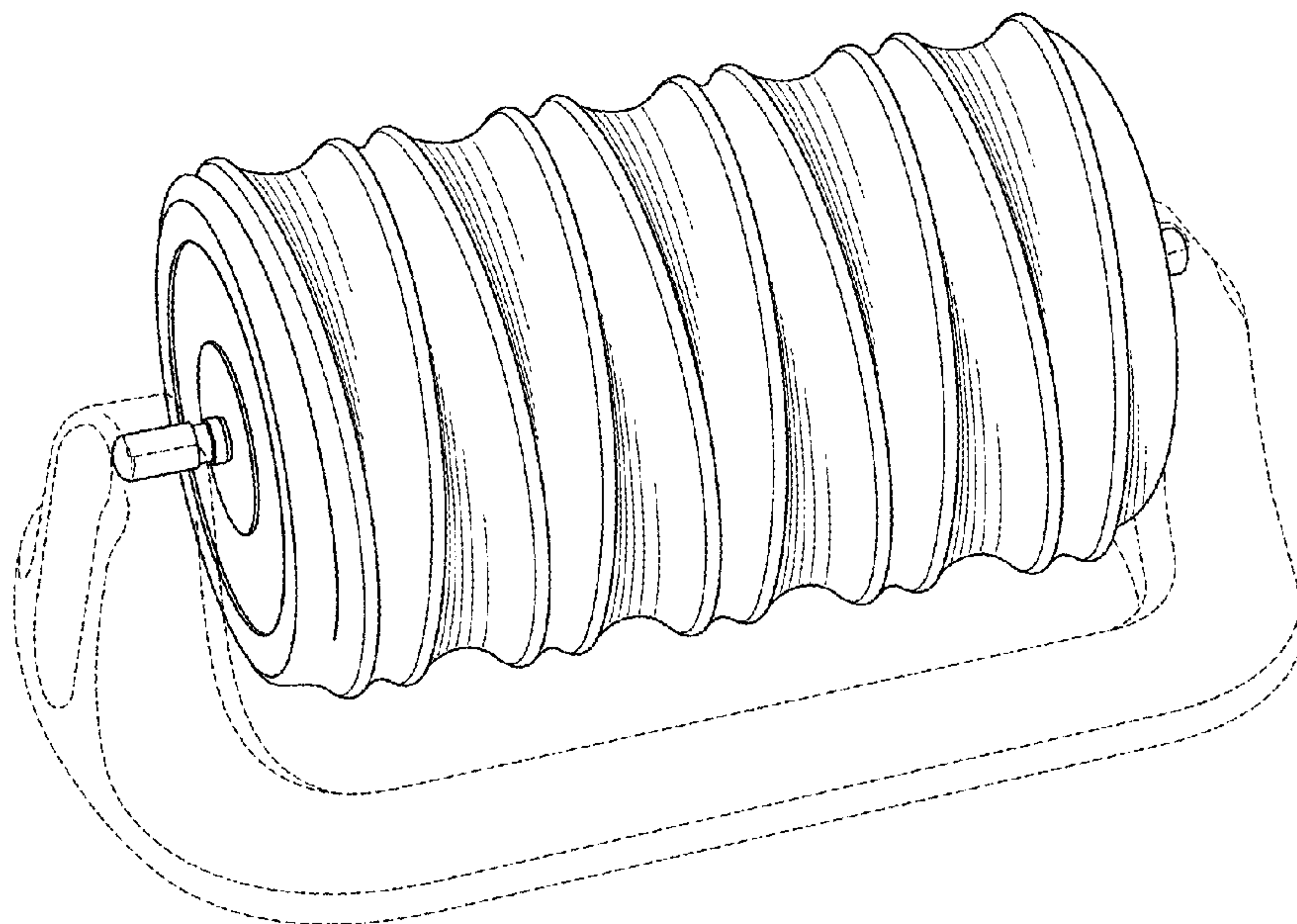


FIG. 1

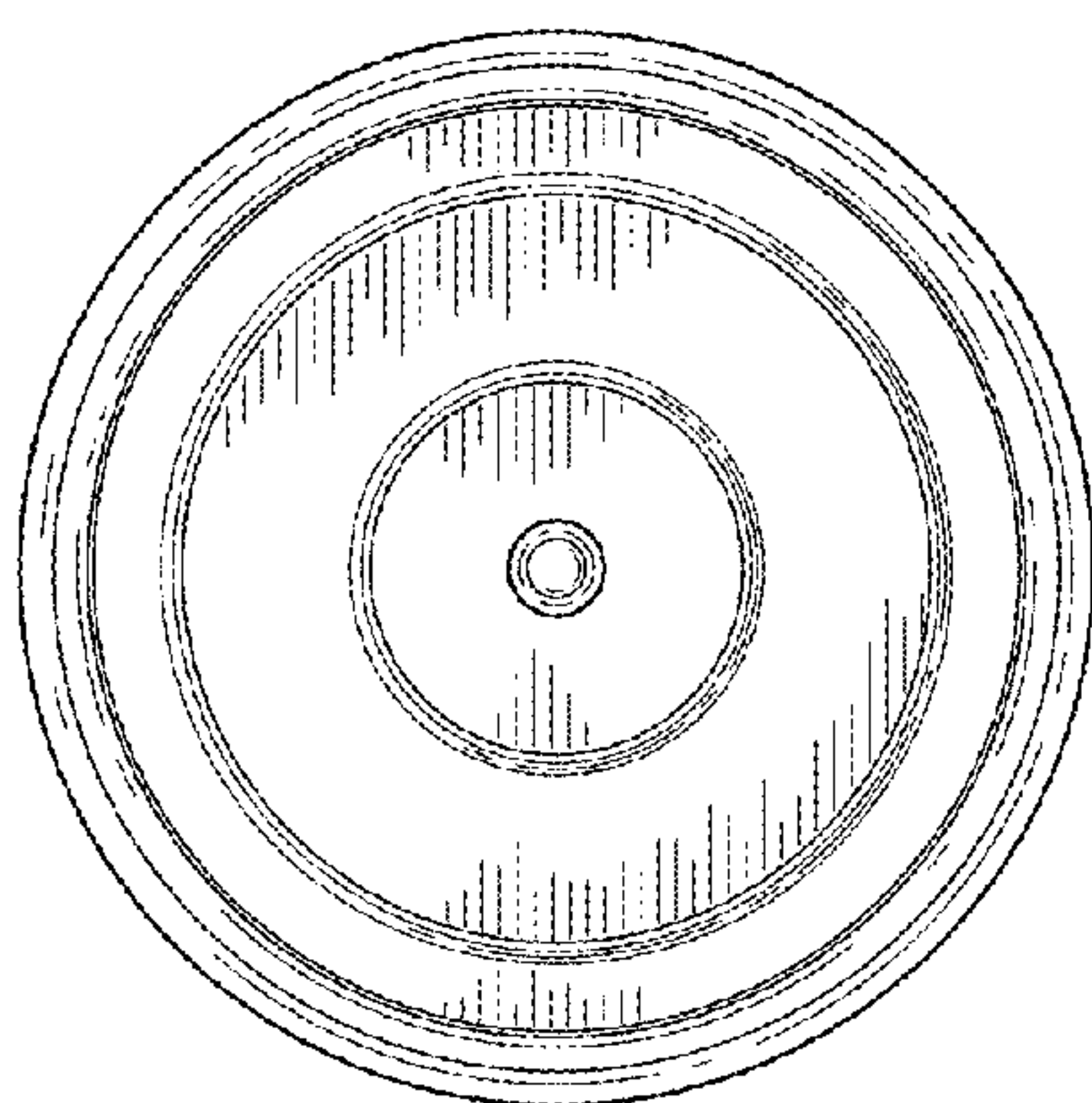


FIG. 2

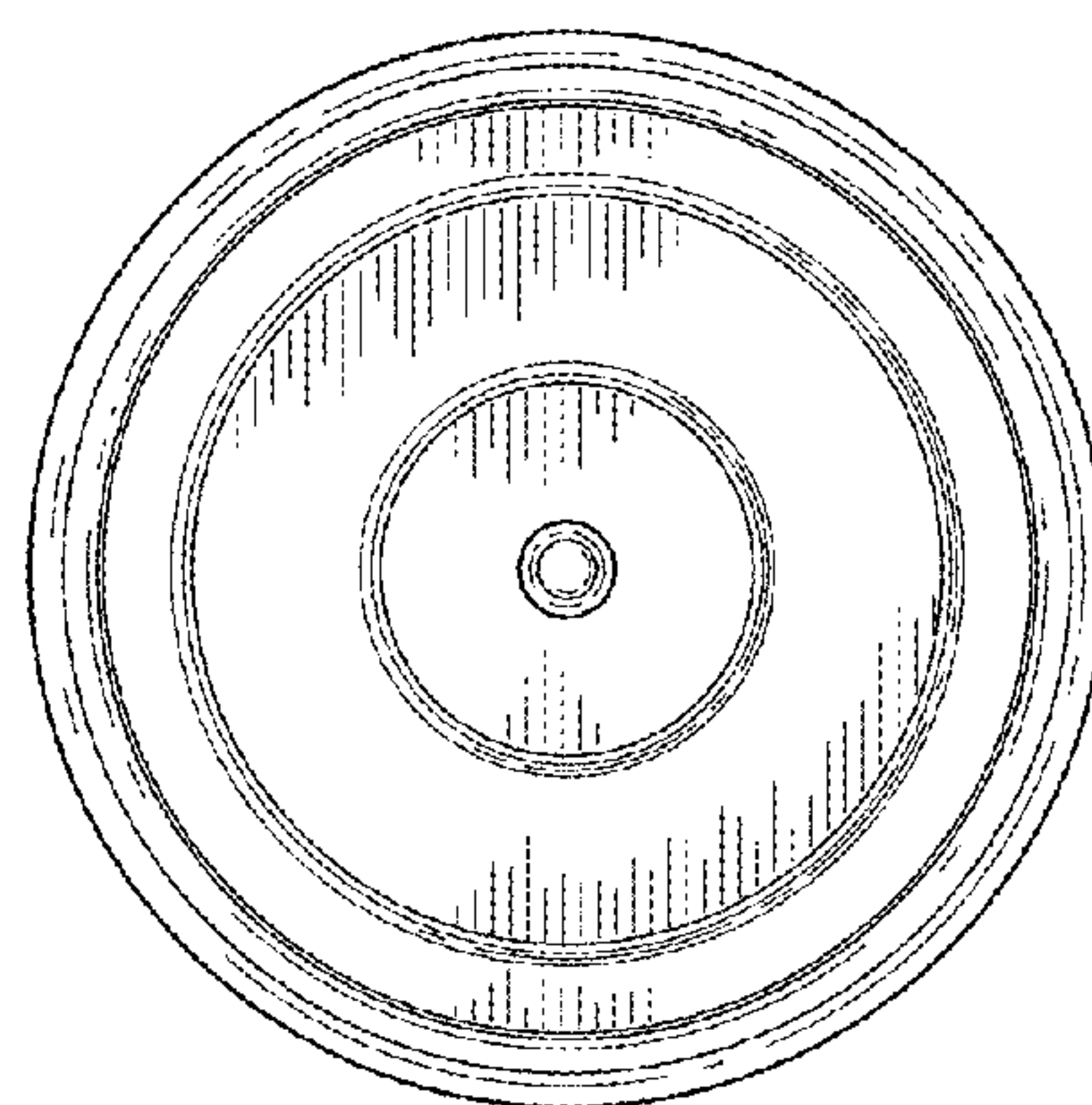


FIG. 3

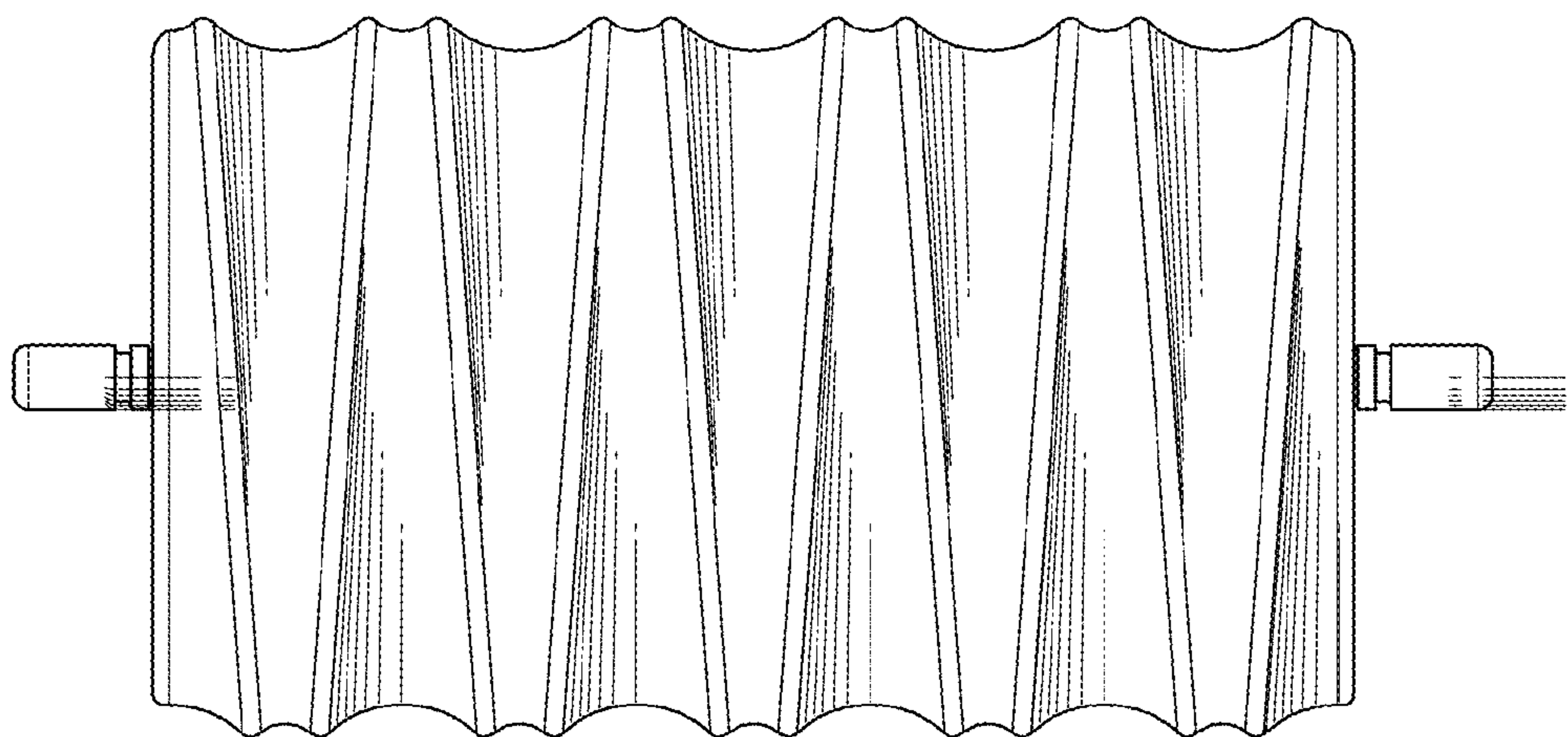


FIG. 4

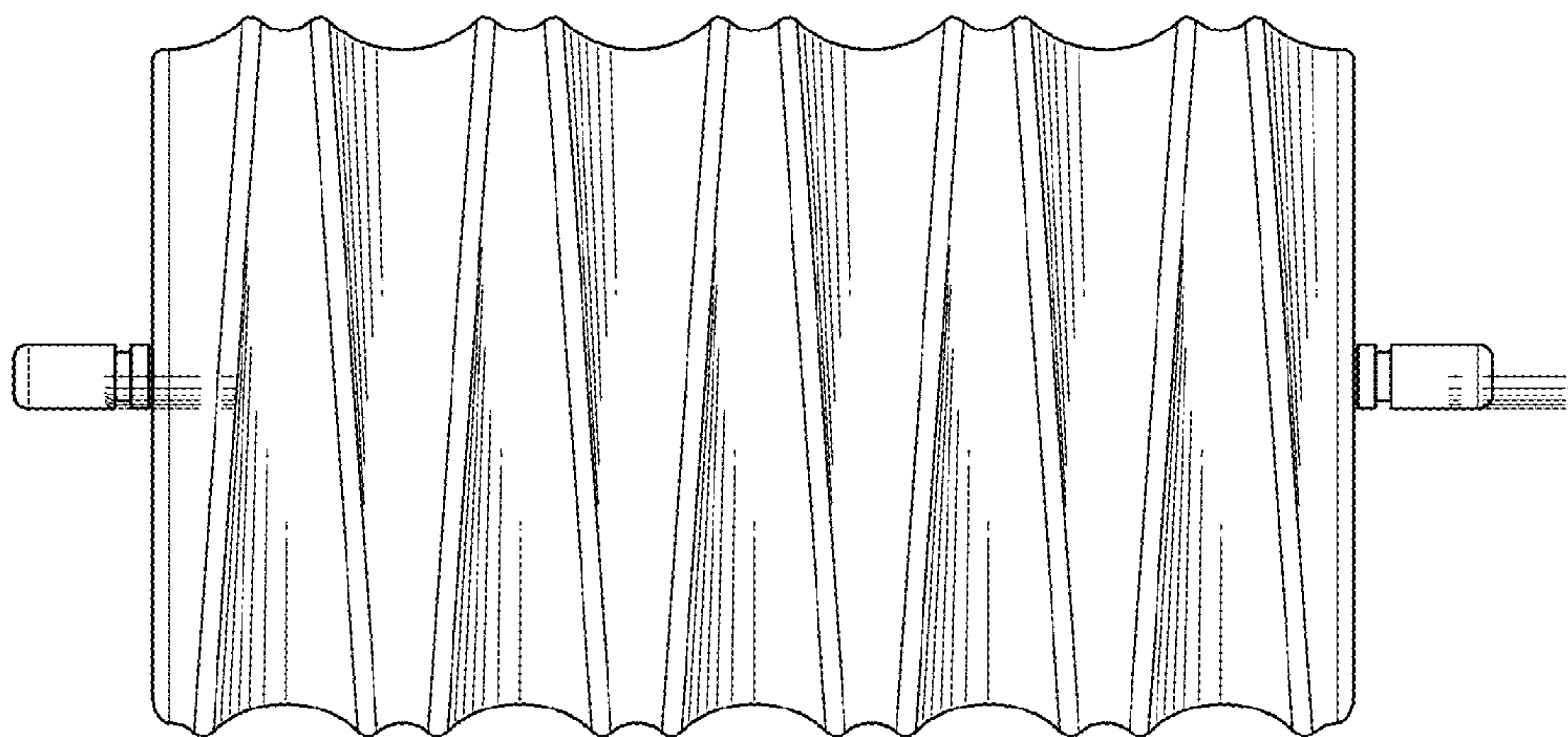


FIG. 5

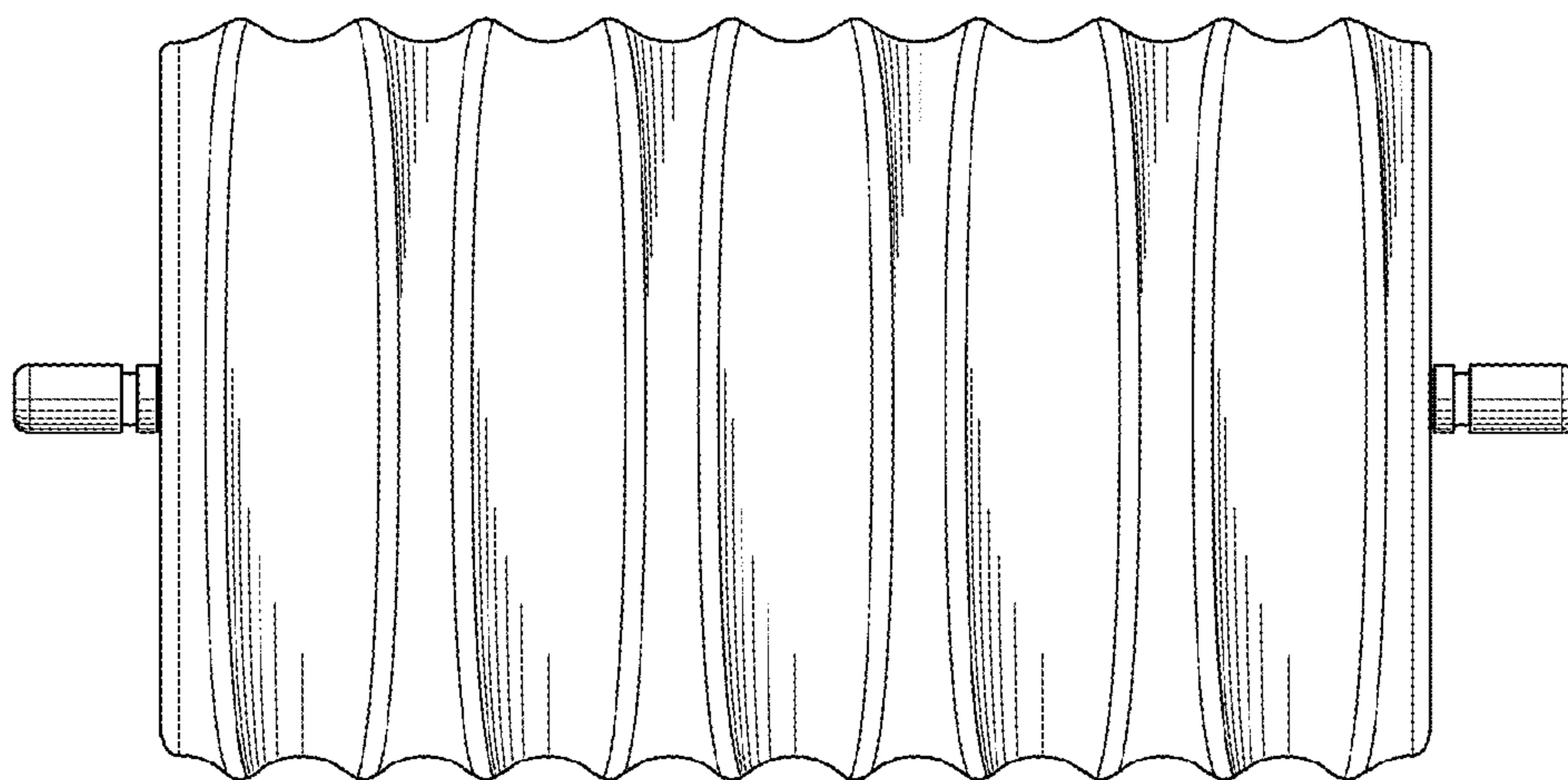


FIG. 6

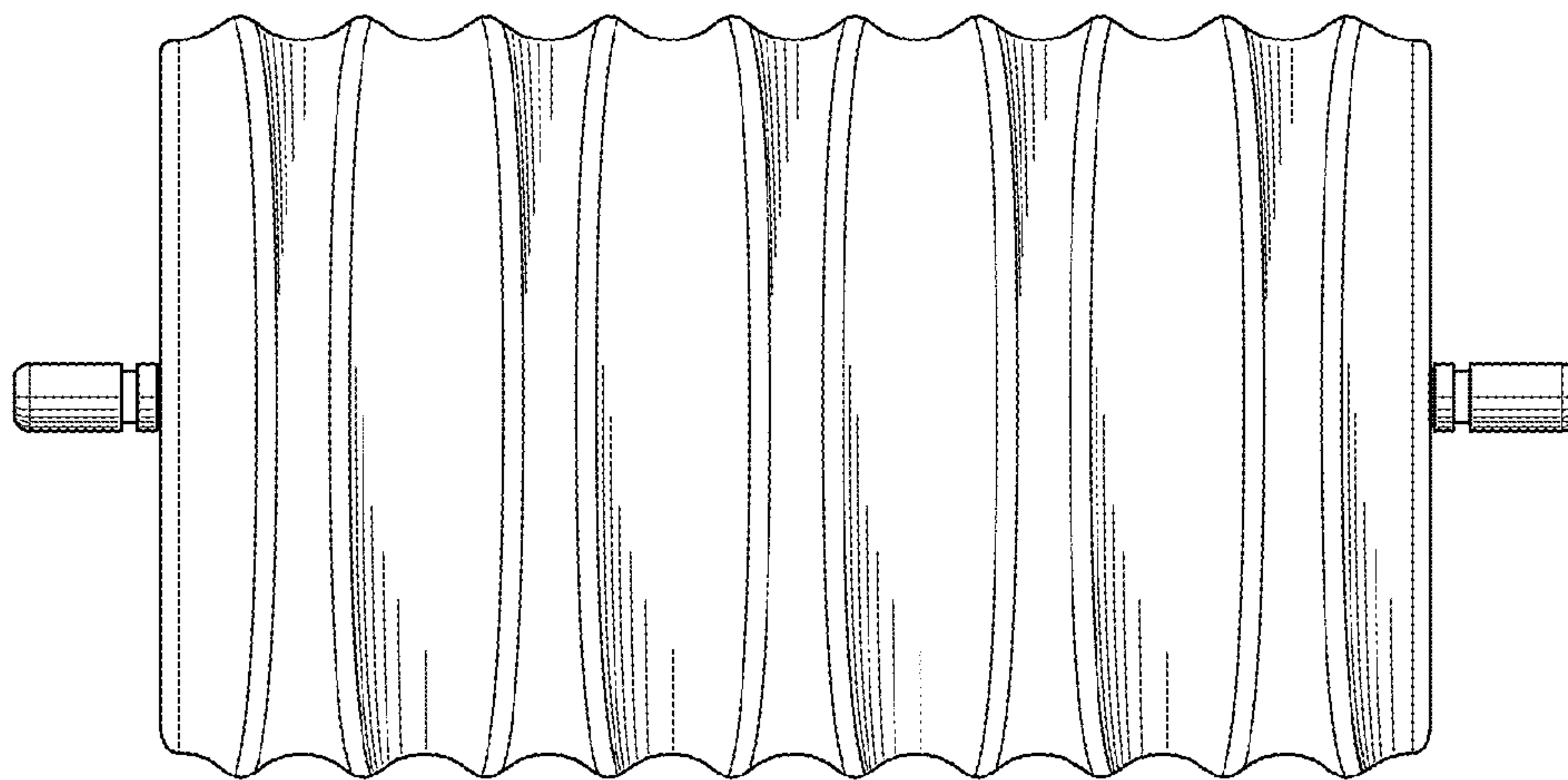


FIG. 7

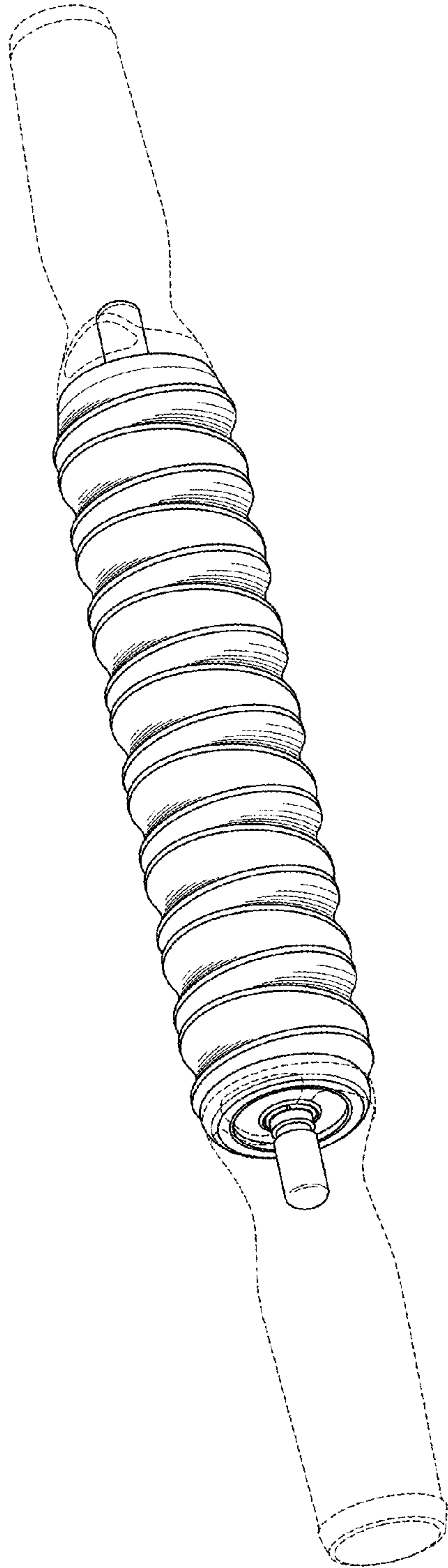


FIG. 8

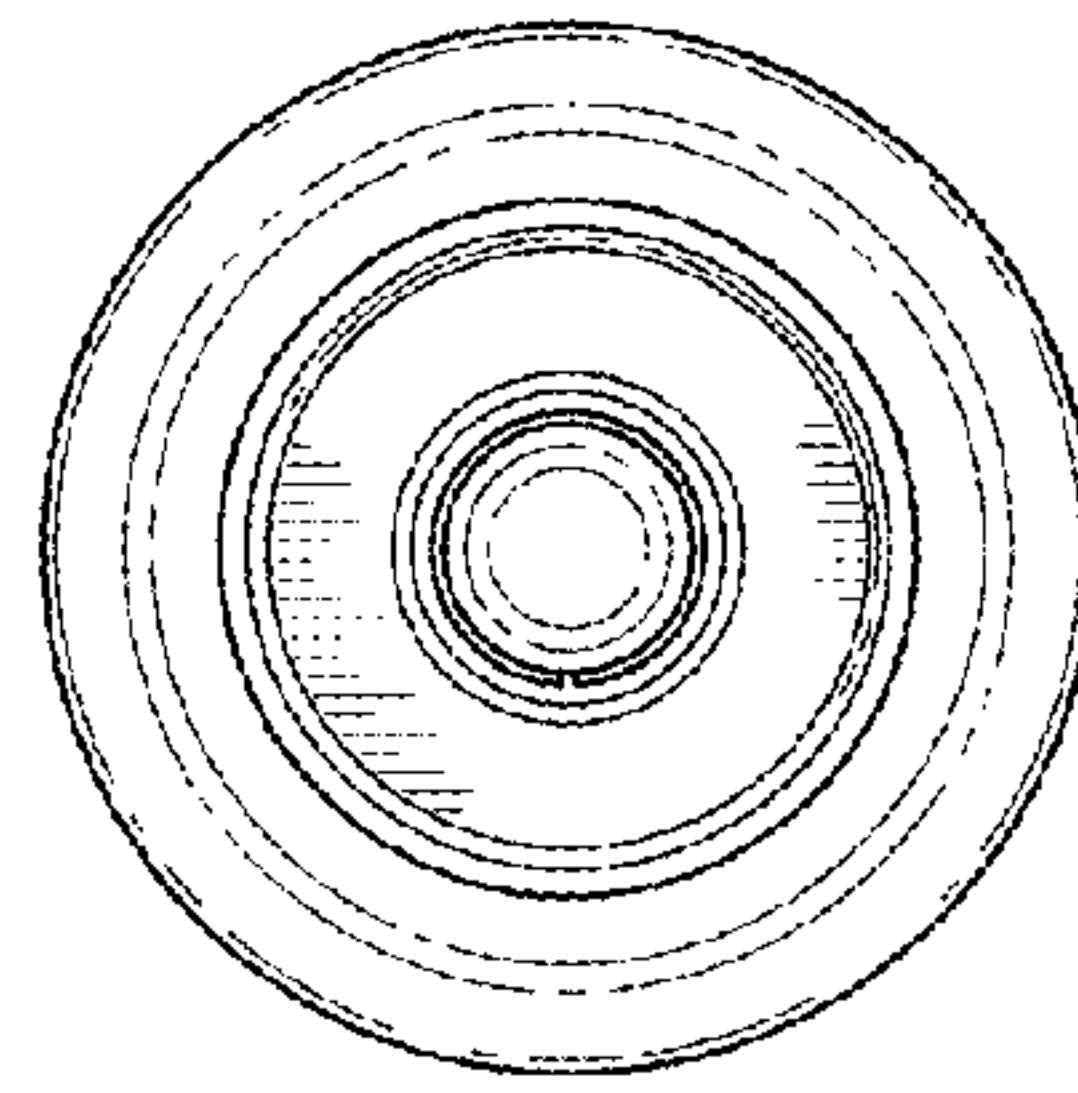


FIG. 10

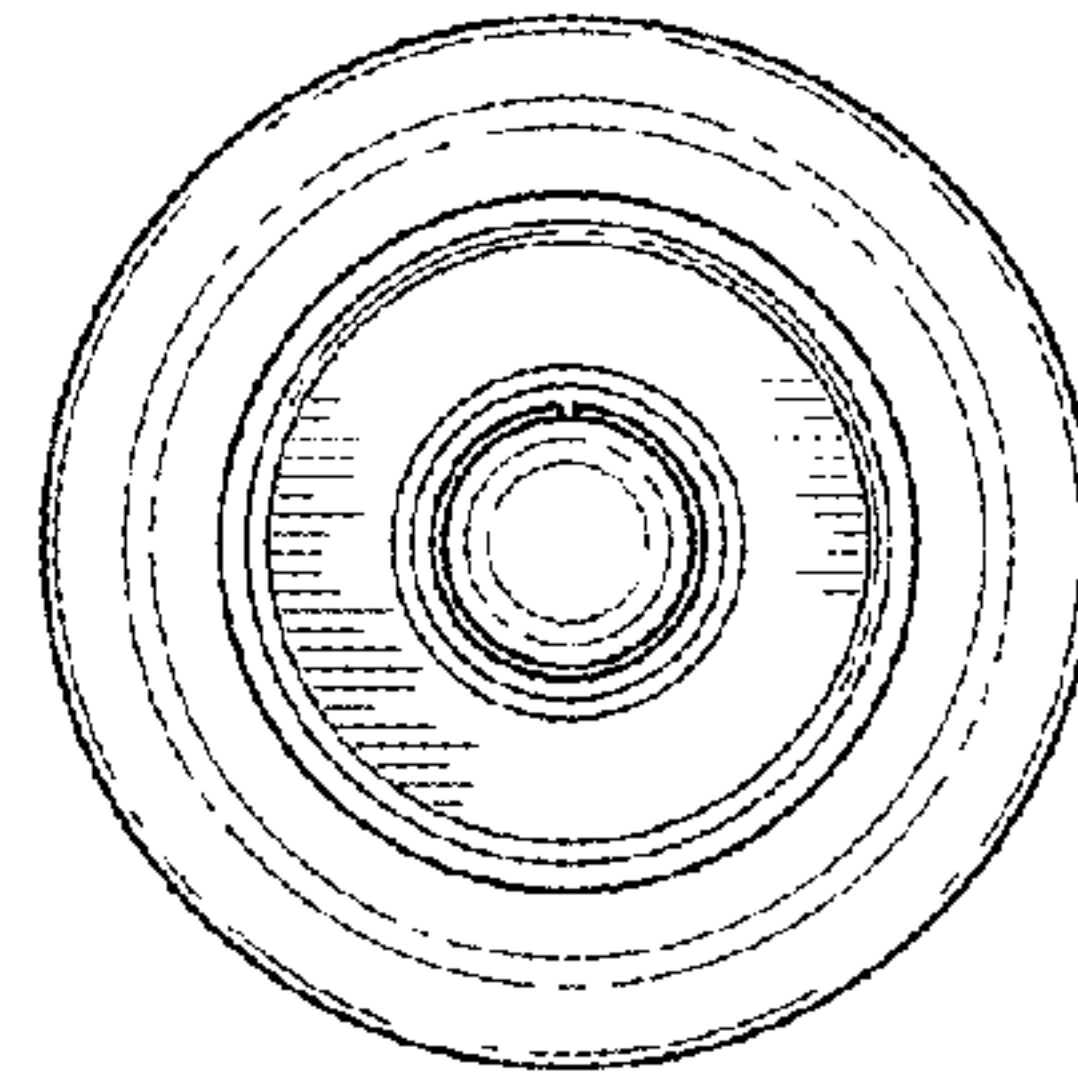


FIG. 9

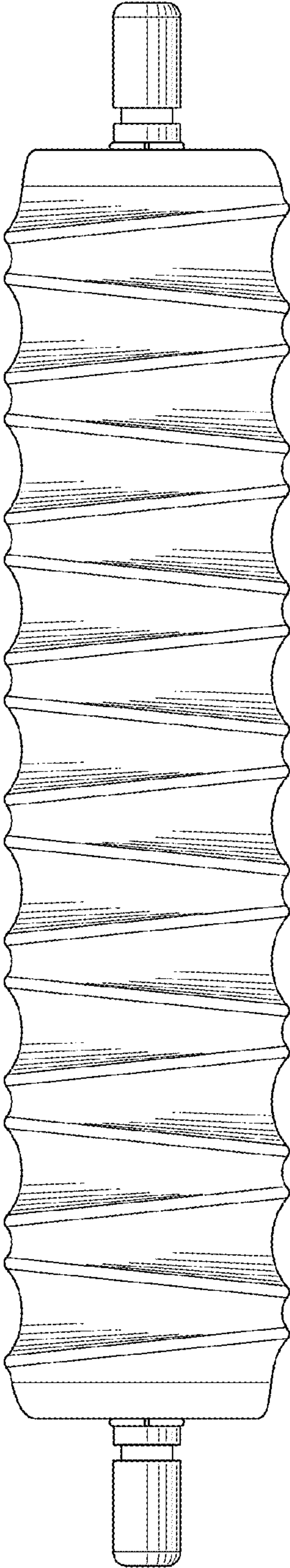


FIG. 11

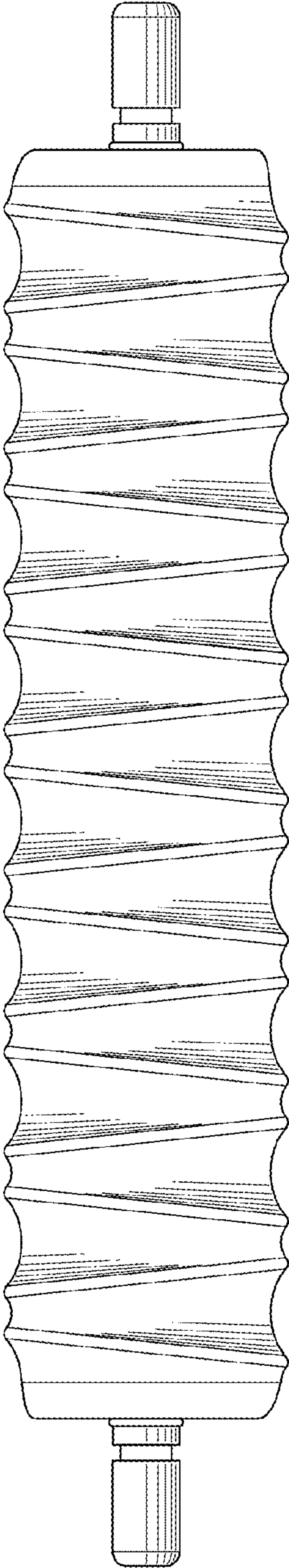


FIG. 12

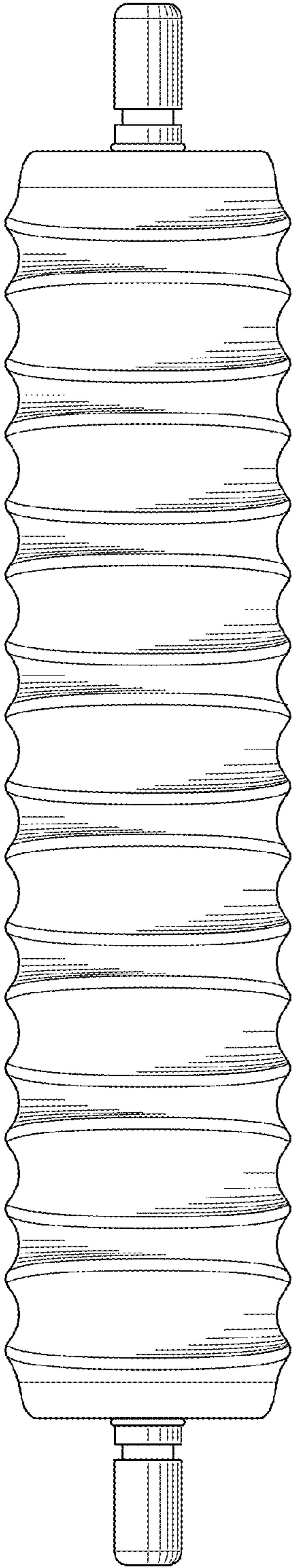


FIG. 13

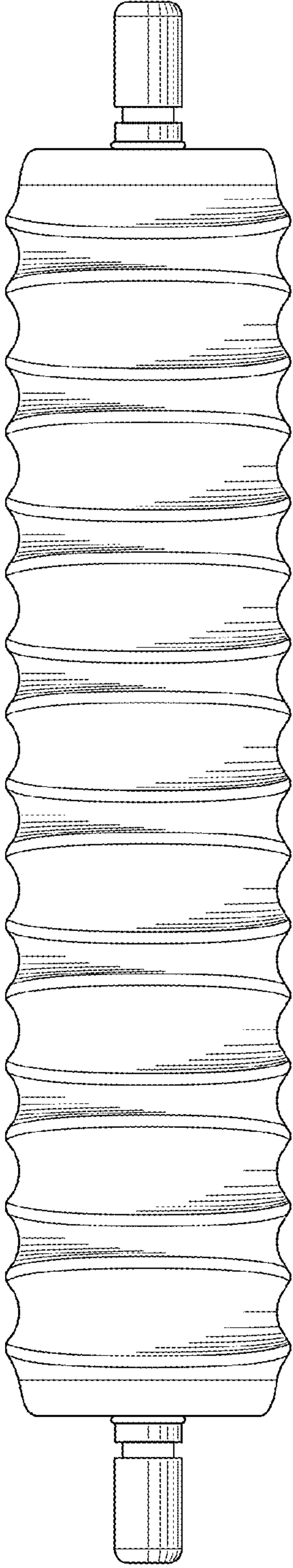


FIG. 14