



US00D734478S

(12) **United States Design Patent**
Labuschagne et al.

(10) **Patent No.:** **US D734,478 S**
(45) **Date of Patent:** **** Jul. 14, 2015**

(54) **MEDICAL DEVICE FOR NONINVASIVE ELECTRICAL BRAIN STIMULATION**

(71) Applicant: **Brainique AG**, Stans (CH)

(72) Inventors: **Jaen Frederik Labuschagne**, Cape Town (ZA); **Robert Grey**, Cape Town (ZA)

(73) Assignee: **Brainique AG**, Stans (CH)

(**) Term: **14 Years**

(21) Appl. No.: **29/478,549**

(22) Filed: **Jan. 6, 2014**

(51) **LOC (10) Cl.** **24-02**

(52) **U.S. Cl.**
USPC **D24/200**

(58) **Field of Classification Search**
USPC D9/430-432; D10/49, 57, 60, 61, 75, D10/77, 125; D13/103, 107, 127, 180; D24/158, 187, 188, 200, 206, 209, 210, D24/211, 214, 232; 257/79, 80, 88, 94, 730; 313/498, 506, 512
CPC H01L 2224/83385
See application file for complete search history.

(56) **References Cited**

U.S. PATENT DOCUMENTS

D356,033 S * 3/1995 Horvat et al. D9/430
D365,801 S * 1/1996 Lindahl D13/103
D366,452 S * 1/1996 Lindahl D13/103
D389,455 S * 1/1998 Lindahl D13/103
D399,818 S * 10/1998 Lindahl D13/103
D432,913 S * 10/2000 Hurwic D9/430

D454,494 S * 3/2002 Bryan et al. D9/430
D555,085 S * 11/2007 Kim D13/103
7,911,054 B2 * 3/2011 Hasebe et al. 257/730
D638,381 S * 5/2011 Kuzuoka D13/180
D710,811 S * 8/2014 Chen et al. D13/180
2006/0220548 A1 * 10/2006 Menda 313/512

* cited by examiner

Primary Examiner — Robert M Spear

Assistant Examiner — Darcey E Heflin

(74) *Attorney, Agent, or Firm* — Wolf, Greenfield & Sacks, P.C.

(57) **CLAIM**

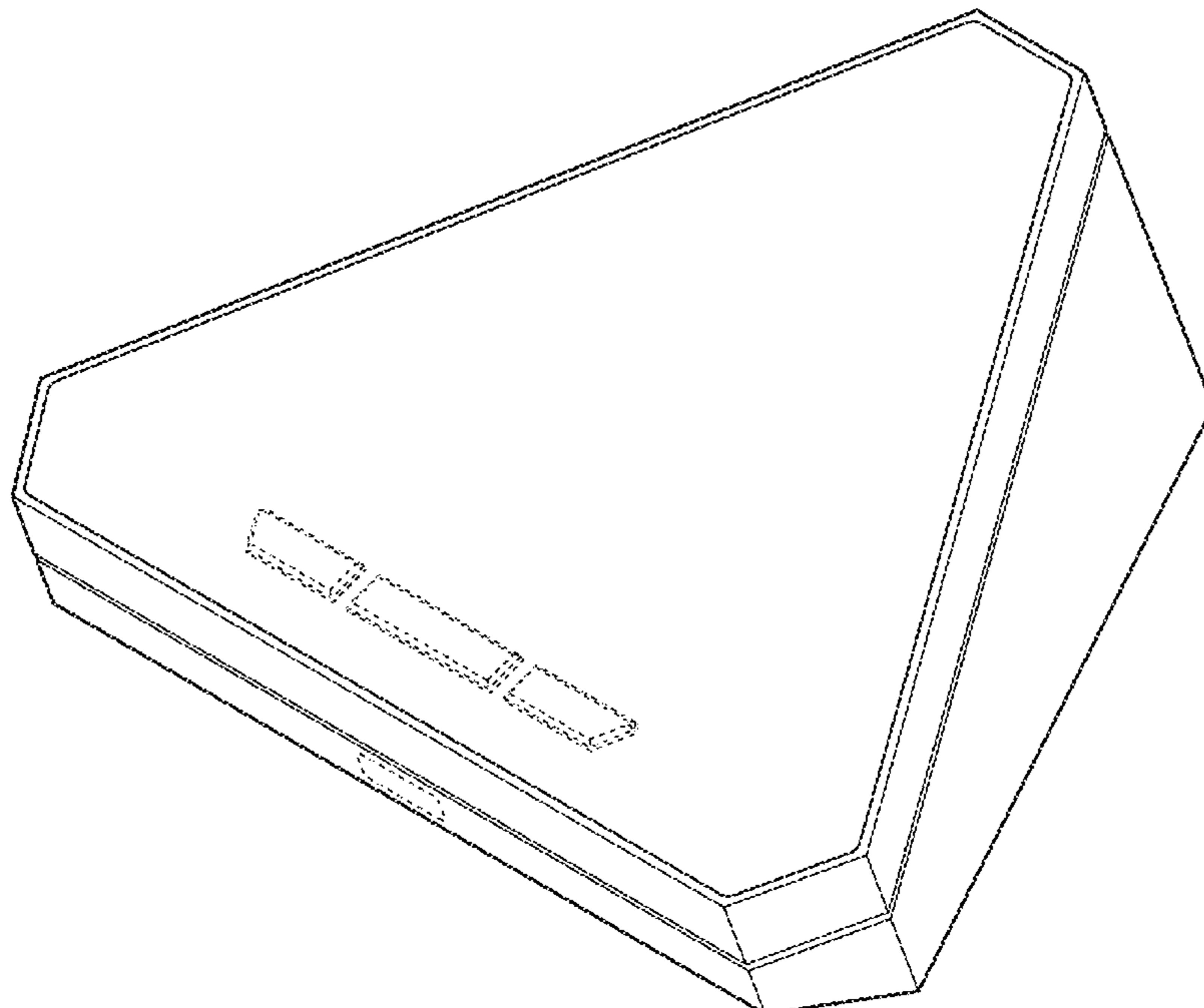
We claim the ornamental design for an medical device for noninvasive electrical brain stimulation, as shown and described.

DESCRIPTION

FIG. 1 is a top front right perspective view of a medical device for noninvasive electrical brain stimulation;
FIG. 2 is a top rear left perspective view of a medical device for noninvasive electrical brain stimulation;
FIG. 3 is a left side elevational view of a medical device for noninvasive electrical brain stimulation, the right side being a mirror image thereof;
FIG. 4 is a front elevational view of a medical device for noninvasive electrical brain stimulation;
FIG. 5 is a rear elevational view of a medical device for noninvasive electrical brain stimulation;
FIG. 6 is a top plan view of a medical device for noninvasive electrical brain stimulation; and,
FIG. 7 is a bottom plan view of a medical device for noninvasive electrical brain stimulation.

In the drawings, the broken lines depict unclaimed environmental subject matter and form no part of the claim.

1 Claim, 3 Drawing Sheets



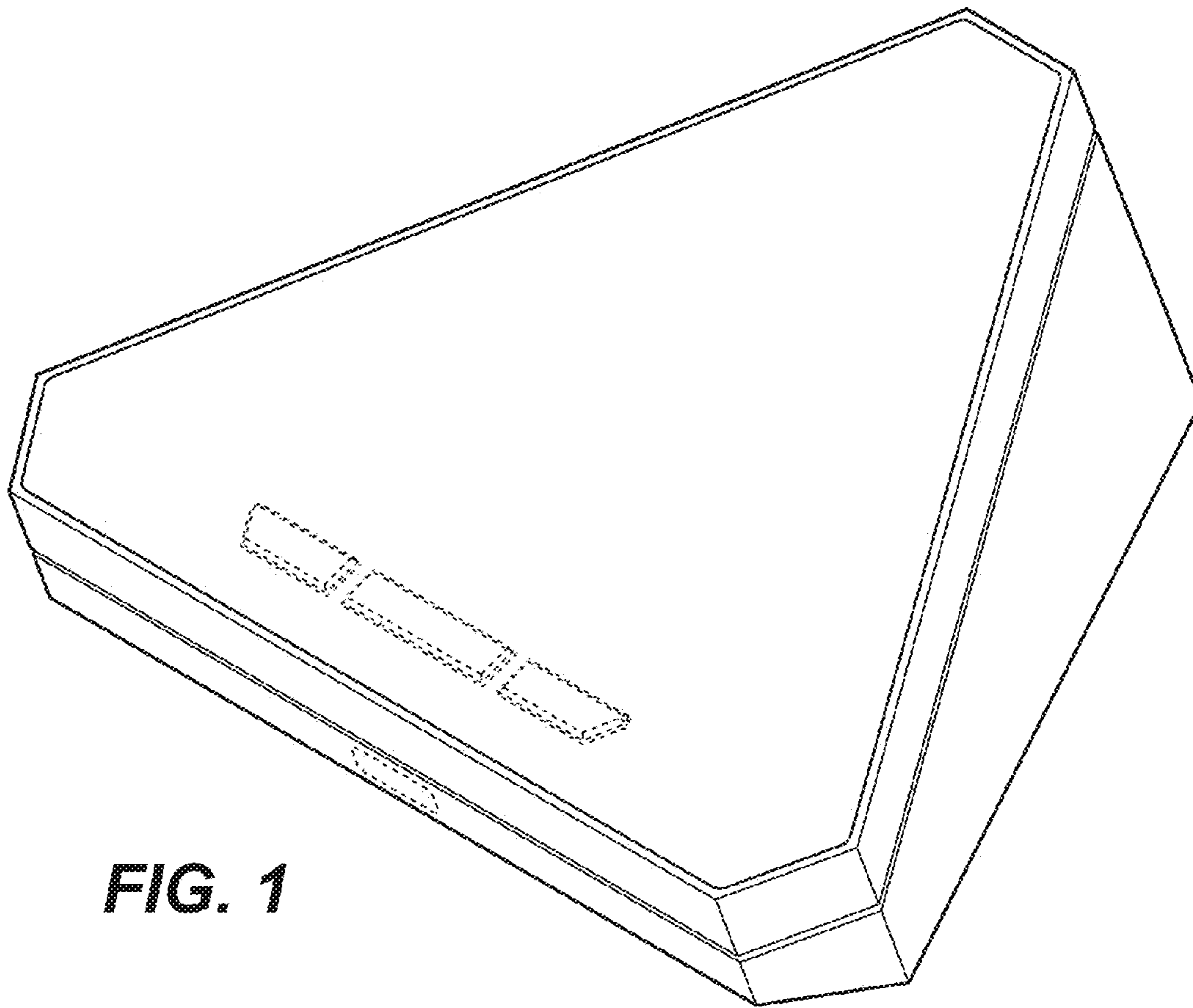


FIG. 1

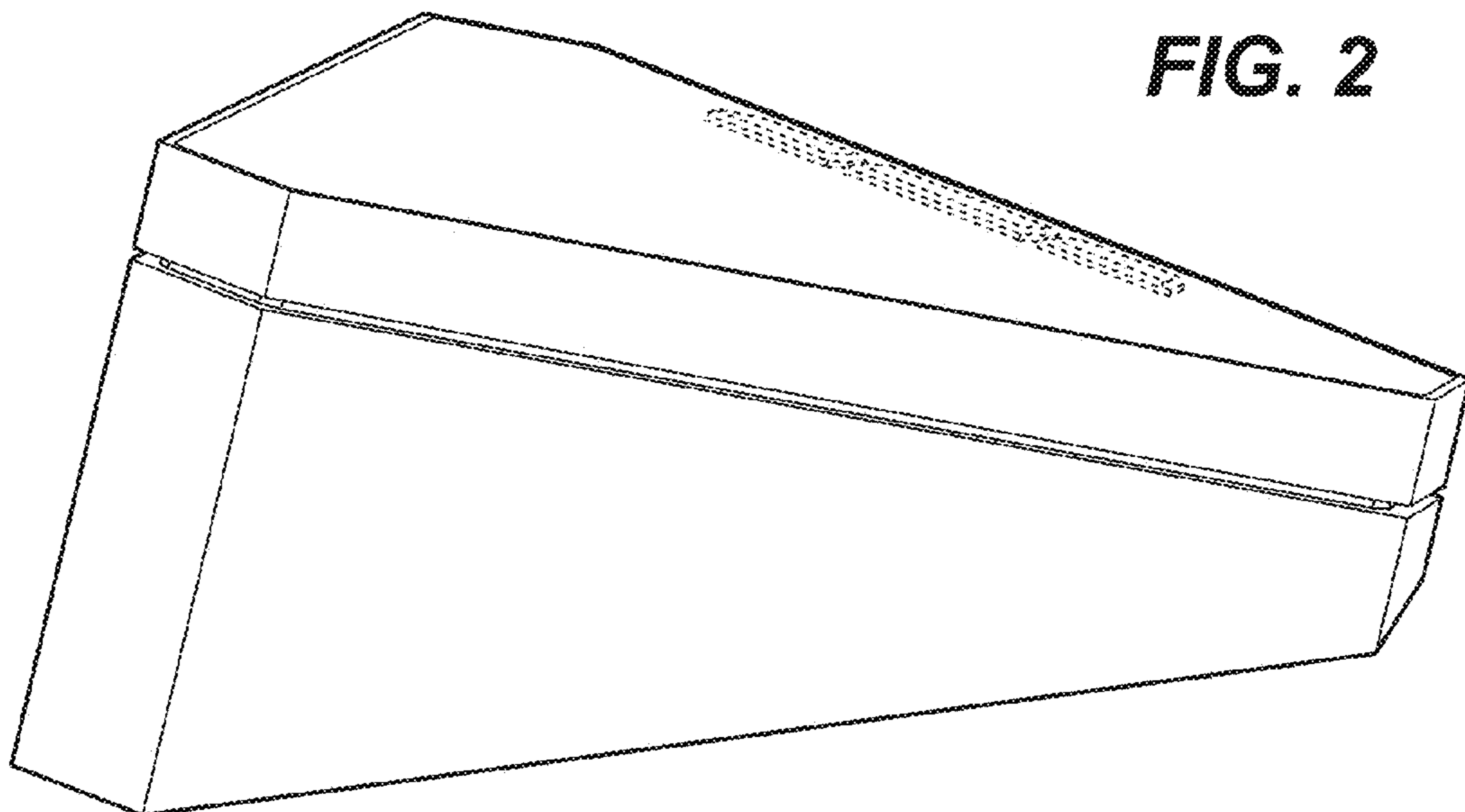


FIG. 2

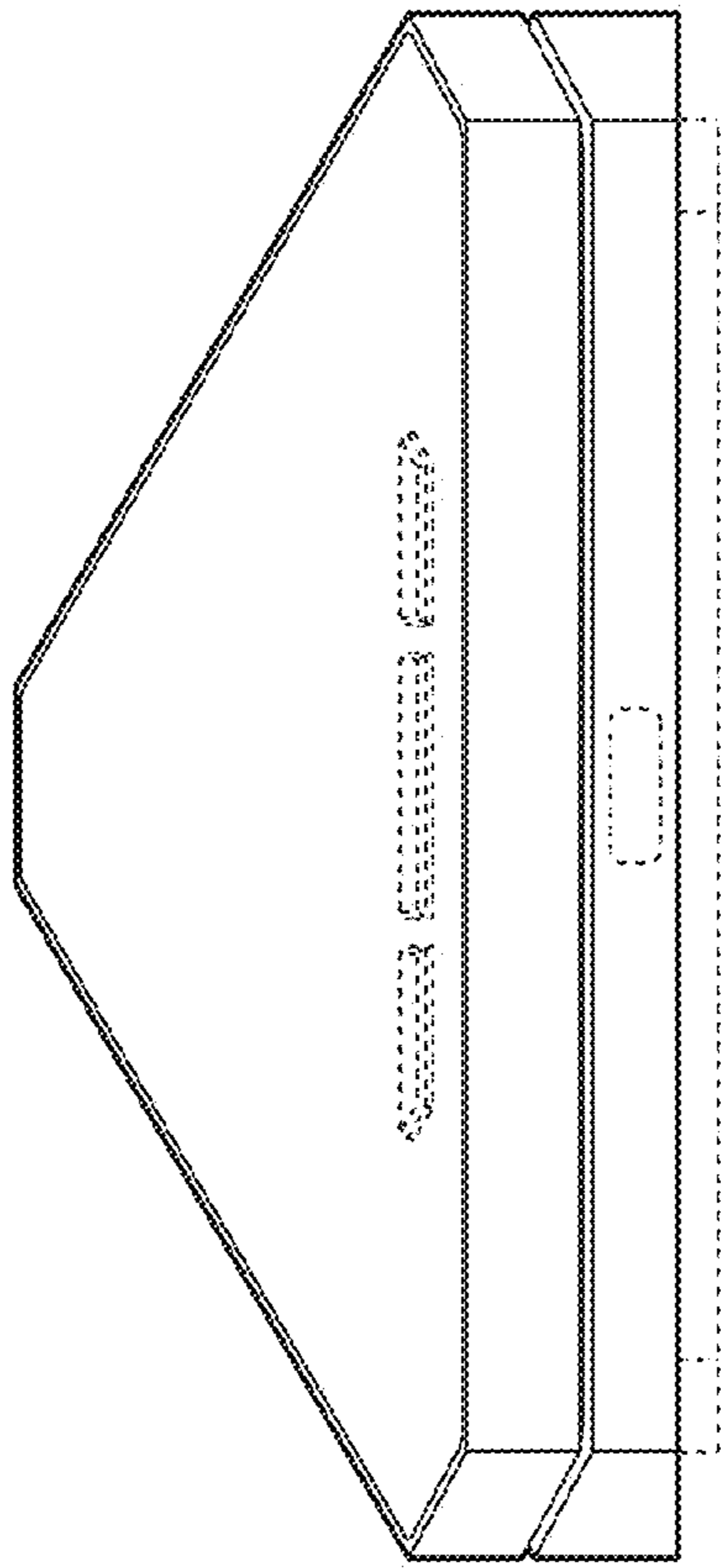


FIG. 4

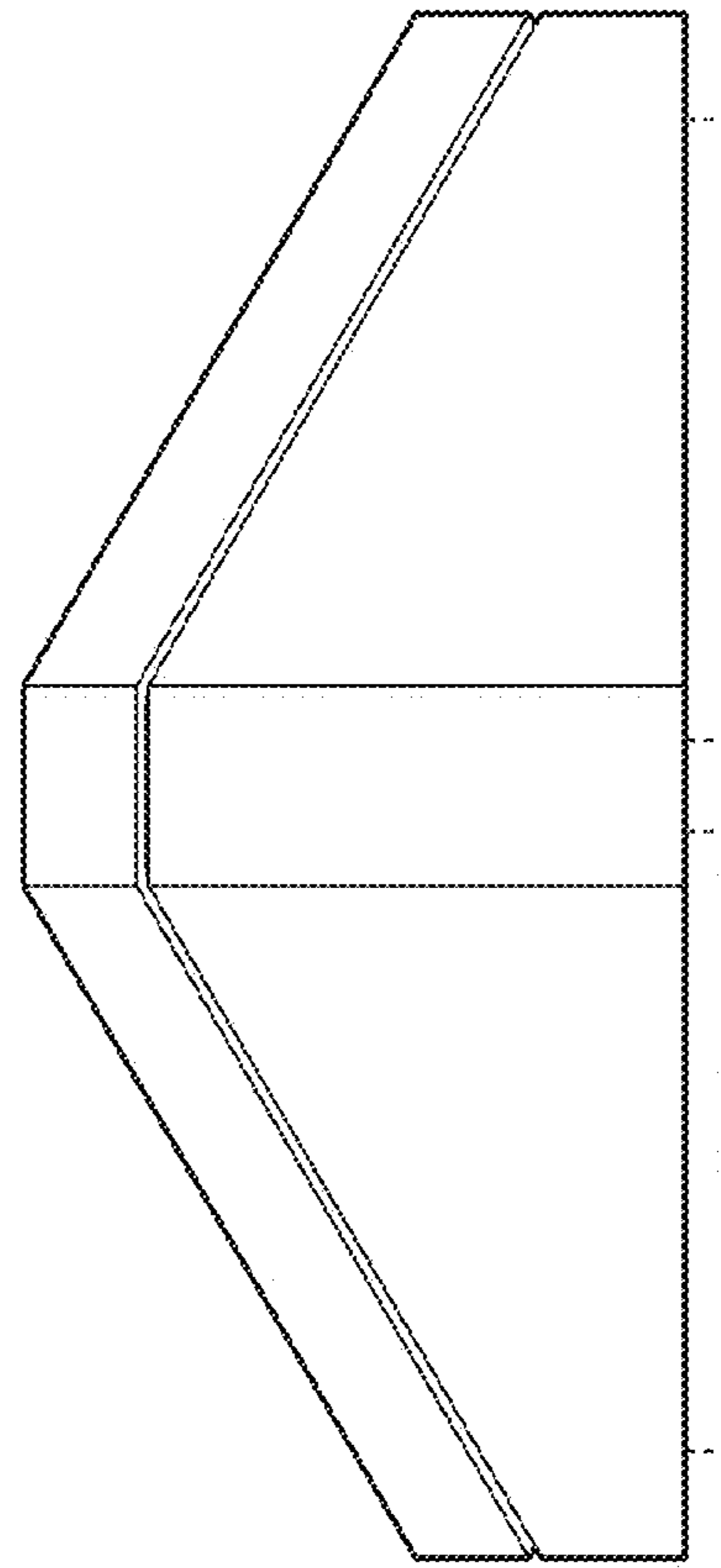


FIG. 5

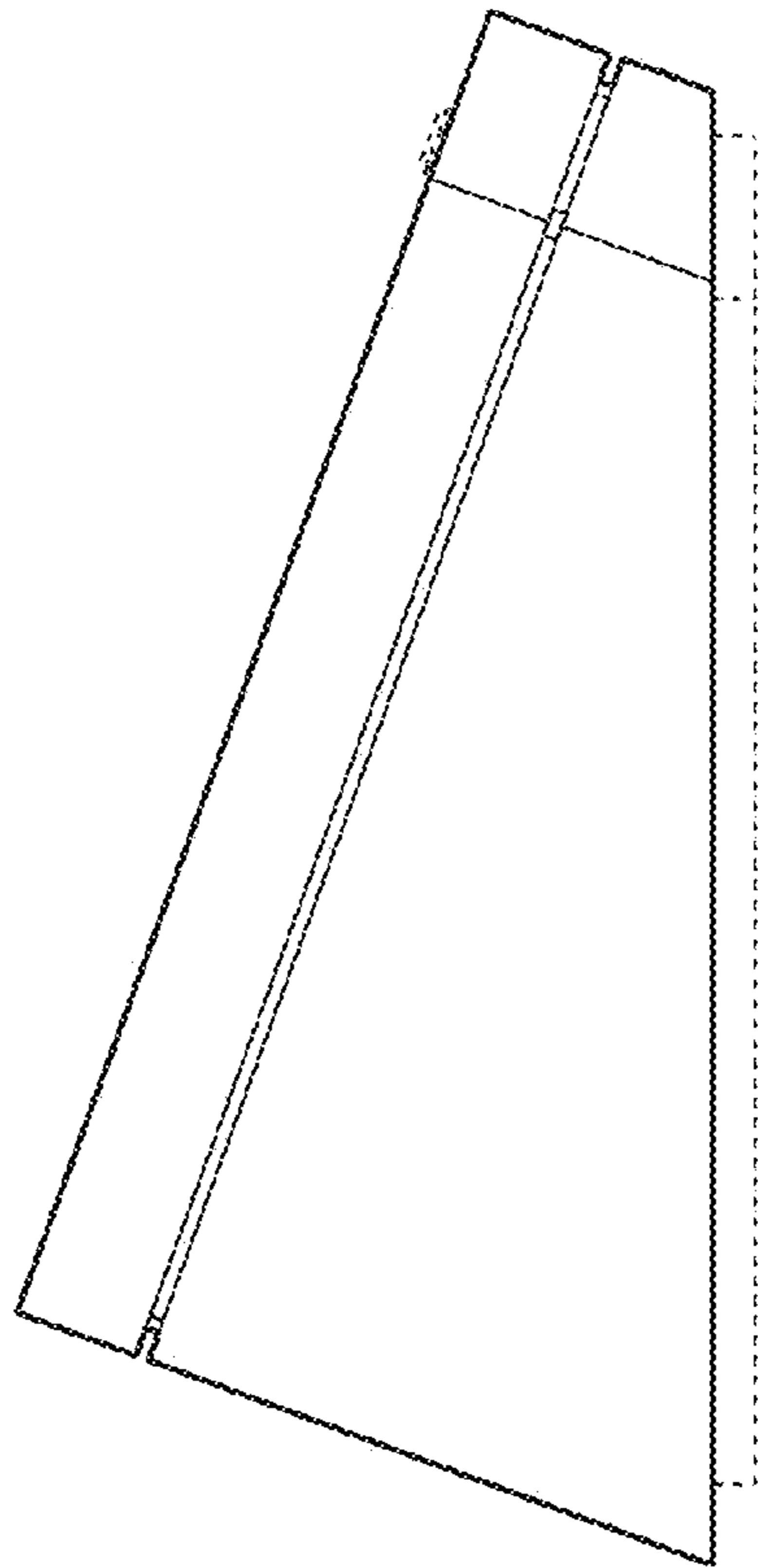


FIG. 3

FIG. 6

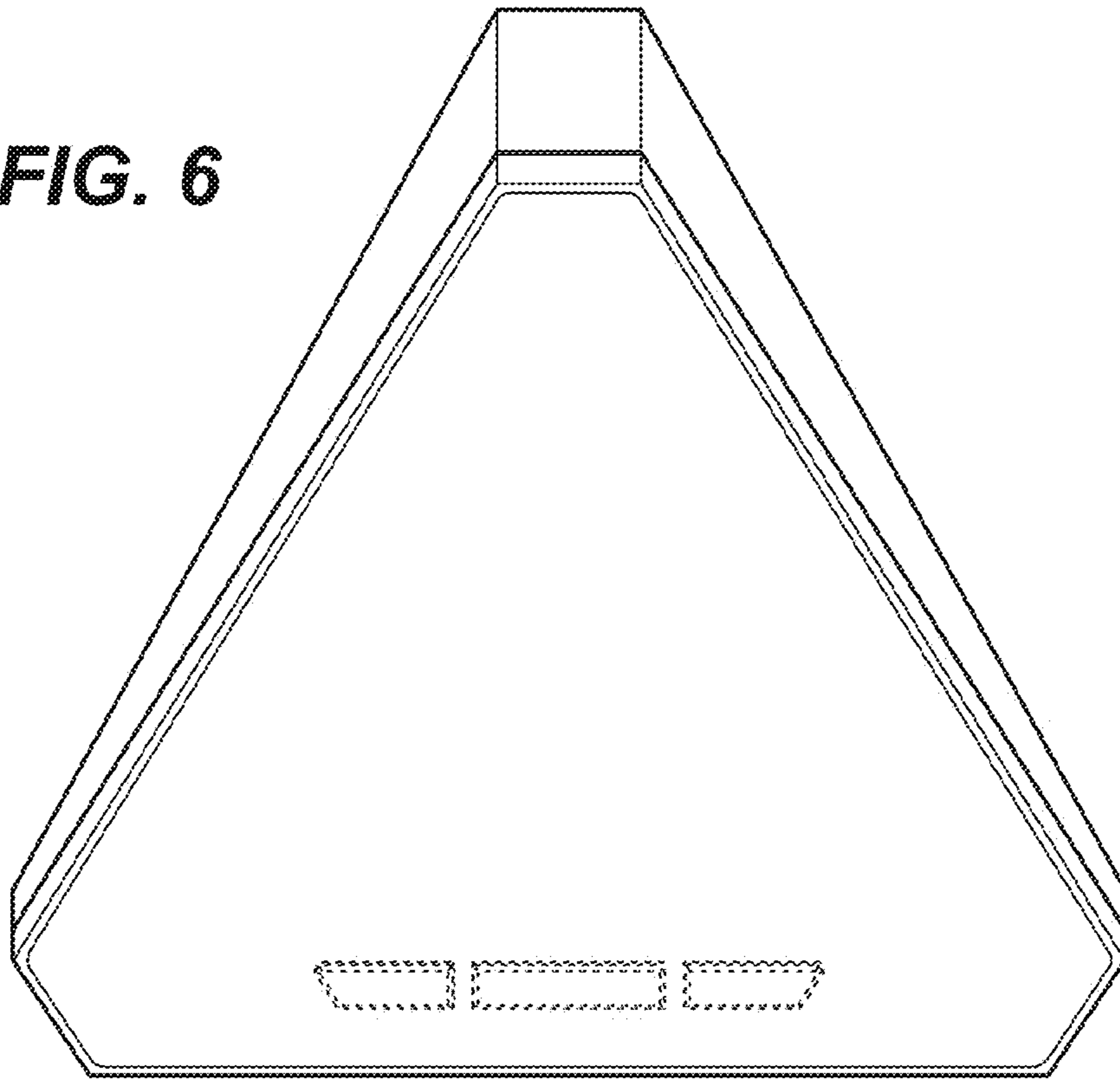


FIG. 7

