



US00D734475S

(12) **United States Design Patent**  
**Ross**

(10) **Patent No.:** **US D734,475 S**  
(45) **Date of Patent:** **\*\* Jul. 14, 2015**

- (54) **SURGICAL CONSOLE**
- (71) Applicant: **Abbott Medical Optics Inc.**, Santa Ana, CA (US)
- (72) Inventor: **Mark W. Ross**, Costa Mesa, CA (US)
- (73) Assignee: **Abbott Medical Optics Inc.**, Santa Clara, CA (US)

(\*\*) Term: **14 Years**

(21) Appl. No.: **29/478,873**

(22) Filed: **Jan. 9, 2014**

(51) **LOC (10) Cl.** ..... **24-00**

(52) **U.S. Cl.**  
USPC ..... **D24/185**

(58) **Field of Classification Search**  
USPC ..... D24/185, 186, 170, 172, 158; D13/133;  
606/39; 398/113; 312/209; 280/47.34  
CPC ..... A61B 18/1206; A61B 2017/00977;  
A61B 19/0248; B62B 3/02  
See application file for complete search history.

(56) **References Cited**

**U.S. PATENT DOCUMENTS**

4,793,345	A *	12/1988	Lehmer	.....	606/39
4,837,857	A *	6/1989	Scheller et al.	.....	398/113
D352,106	S *	11/1994	Fanney et al.	.....	D24/185
D378,315	S *	3/1997	Schwaegerle et al.	.....	D24/172
D380,550	S *	7/1997	Dennewill et al.	.....	D24/185
6,022,088	A *	2/2000	Metzler	.....	312/209
D467,001	S *	12/2002	Buczek et al.	.....	D24/172
6,626,445	B2 *	9/2003	Murphy et al.	.....	280/47.34
D567,381	S *	4/2008	Olivera et al.	.....	D24/185
D583,061	S *	12/2008	Tamburrino et al.	.....	D24/185

D612,503	S *	3/2010	Johnston et al.	.....	D24/186
D638,128	S *	5/2011	Prokop et al.	.....	D24/172
D638,943	S *	5/2011	Daniel	.....	D24/172
D643,816	S *	8/2011	Drysdale et al.	.....	D13/133
D654,597	S *	2/2012	Hiramura	.....	D24/186
D669,993	S *	10/2012	Merchant et al.	.....	D24/170
D692,563	S *	10/2013	Naef et al.	.....	D24/172
D697,211	S *	1/2014	Ninomiya et al.	.....	D24/158
D700,343	S *	2/2014	Liu	.....	D24/186
D714,448	S *	9/2014	Sul	.....	D24/158

\* cited by examiner

*Primary Examiner* — Holly Baynham

*Assistant Examiner* — Rhea Shields

(57) **CLAIM**

We claim the ornamental design for a surgical console, substantially as shown and described.

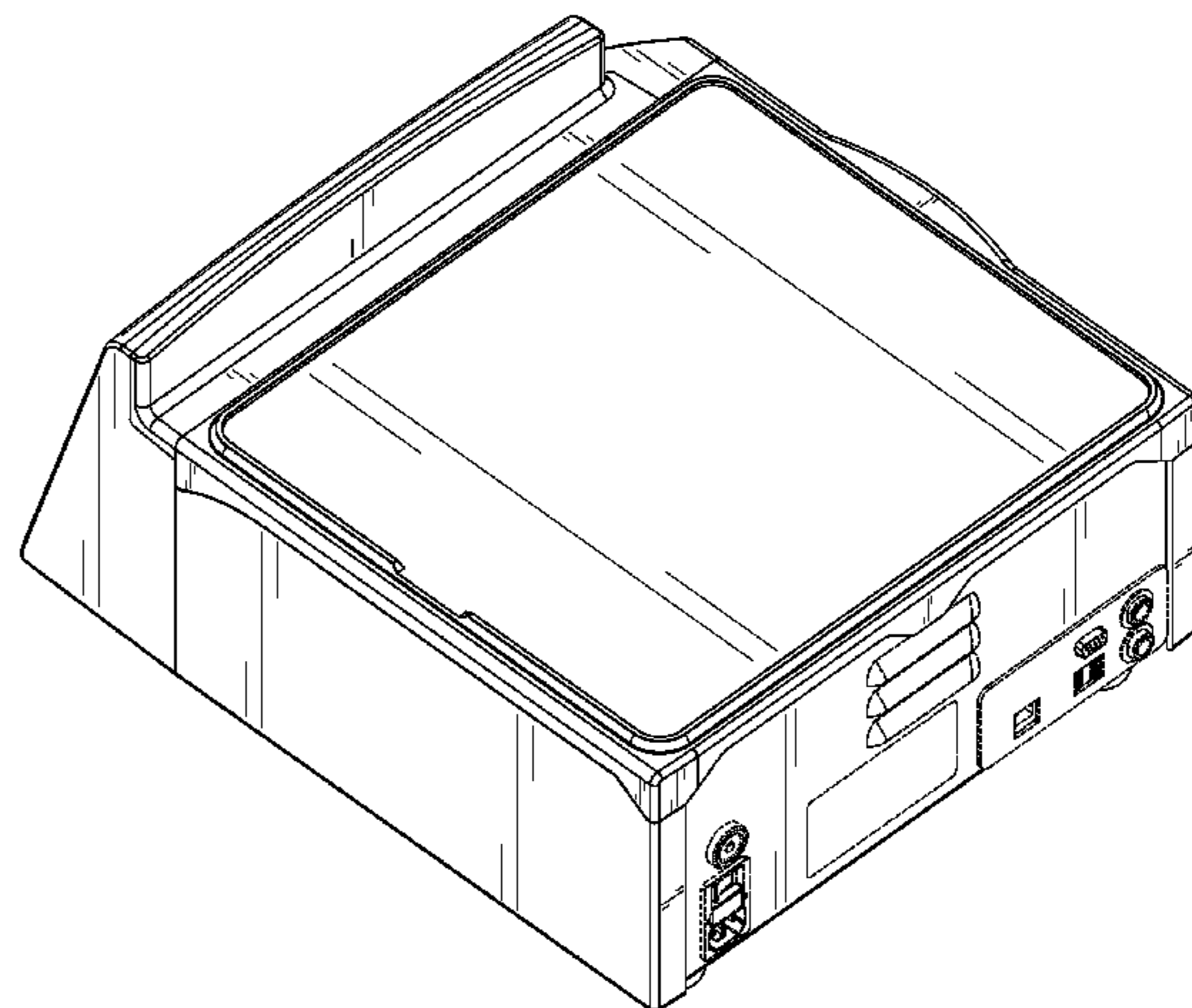
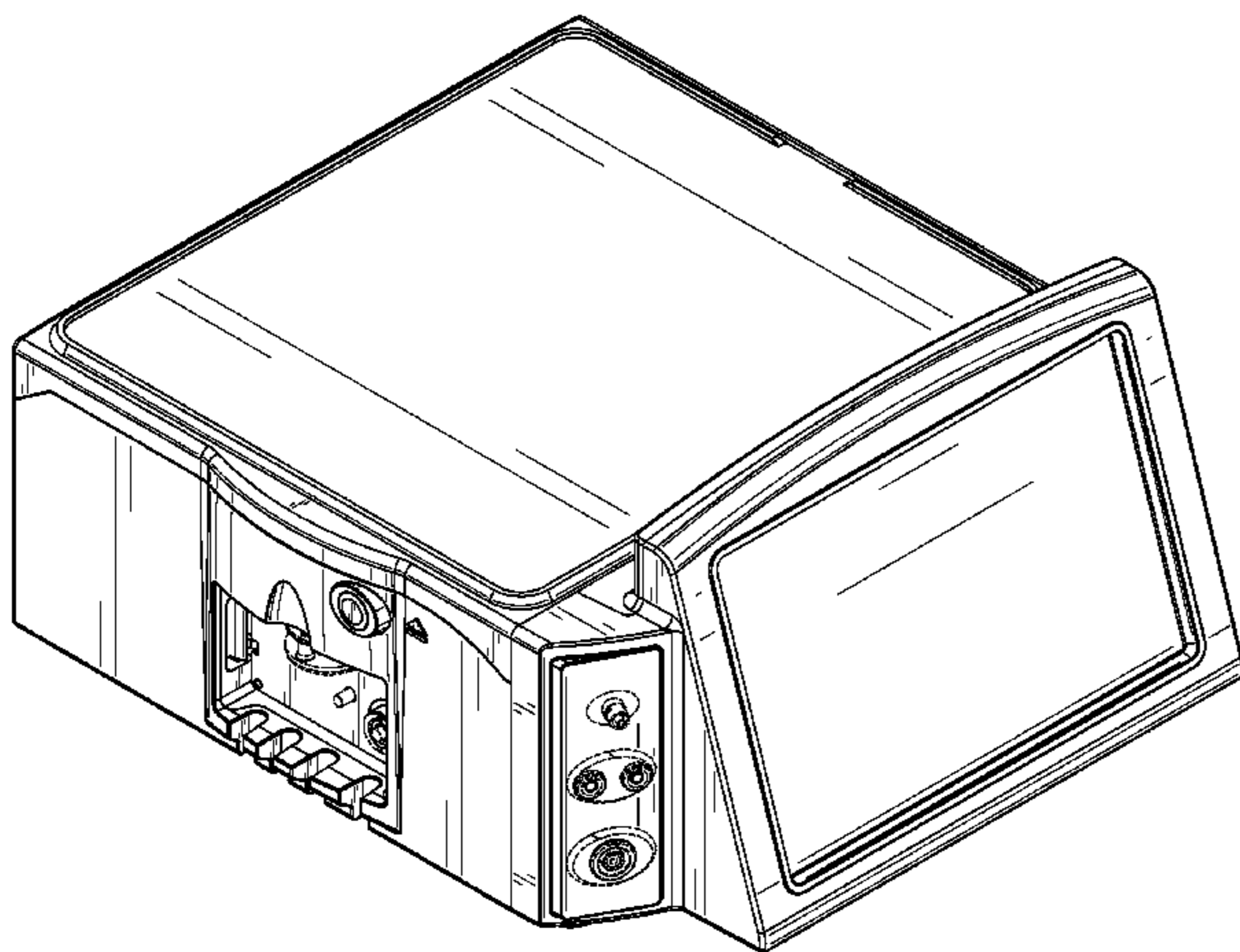
**DESCRIPTION**

FIG. 1 is a front elevational view of a surgical console showing our new design;  
FIG. 2 is a back elevational view thereof;  
FIG. 3 is a side elevational view thereof;  
FIG. 4 is a side elevational view thereof;  
FIG. 5 is a front perspective view thereof;  
FIG. 6 is a front perspective view thereof;  
FIG. 7 is a back perspective view thereof; and,  
FIG. 8 is a back perspective view thereof.

FIGS. 1-8 show features of a surgical console with broken lines. These features are for illustrating reference or environmental structure only and do not form any part of the claimed design.

Surgical console of the present invention is used for controlling various surgical tools, as well as irrigation and aspiration used during ophthalmic surgery.

**1 Claim, 8 Drawing Sheets**



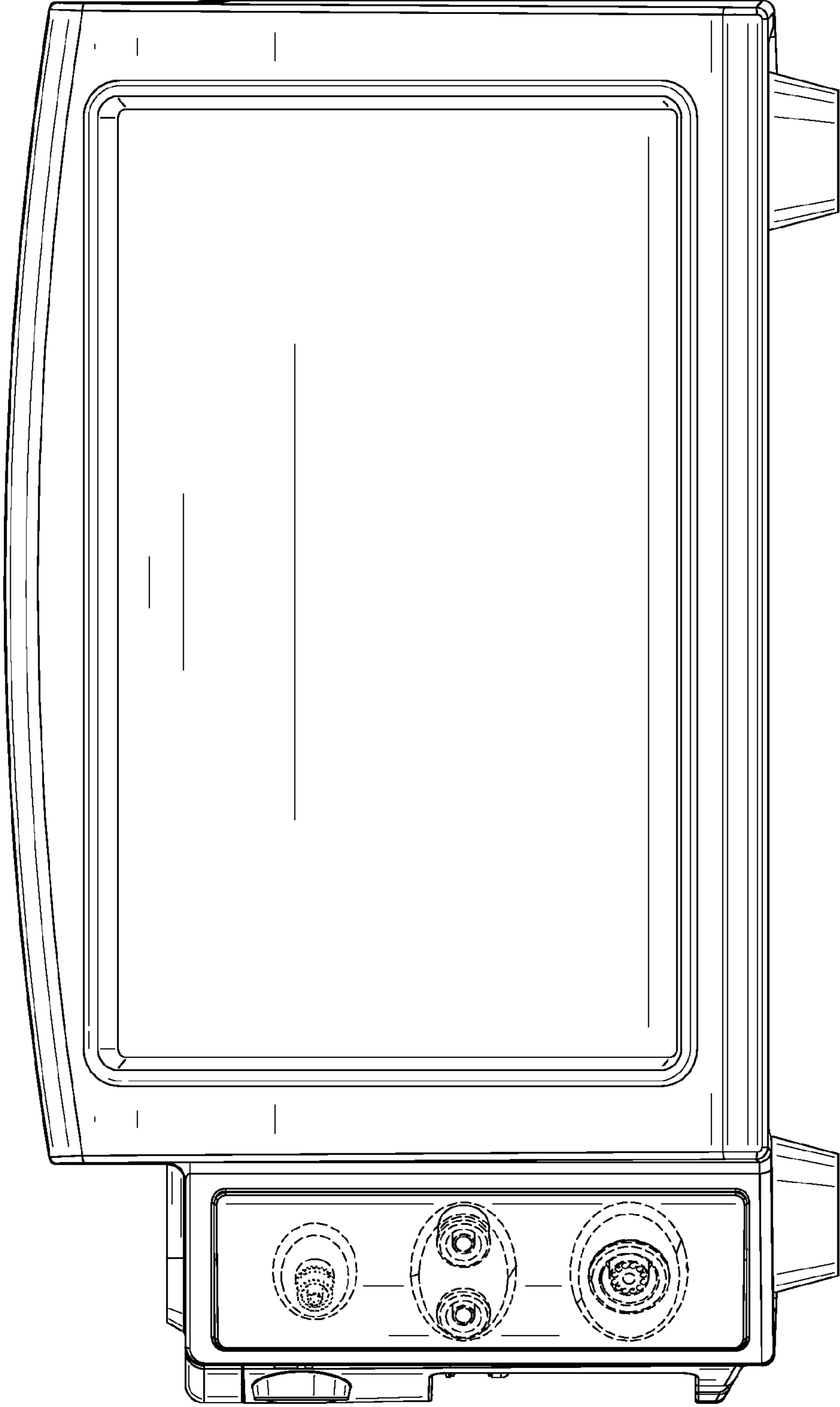


FIG. 1

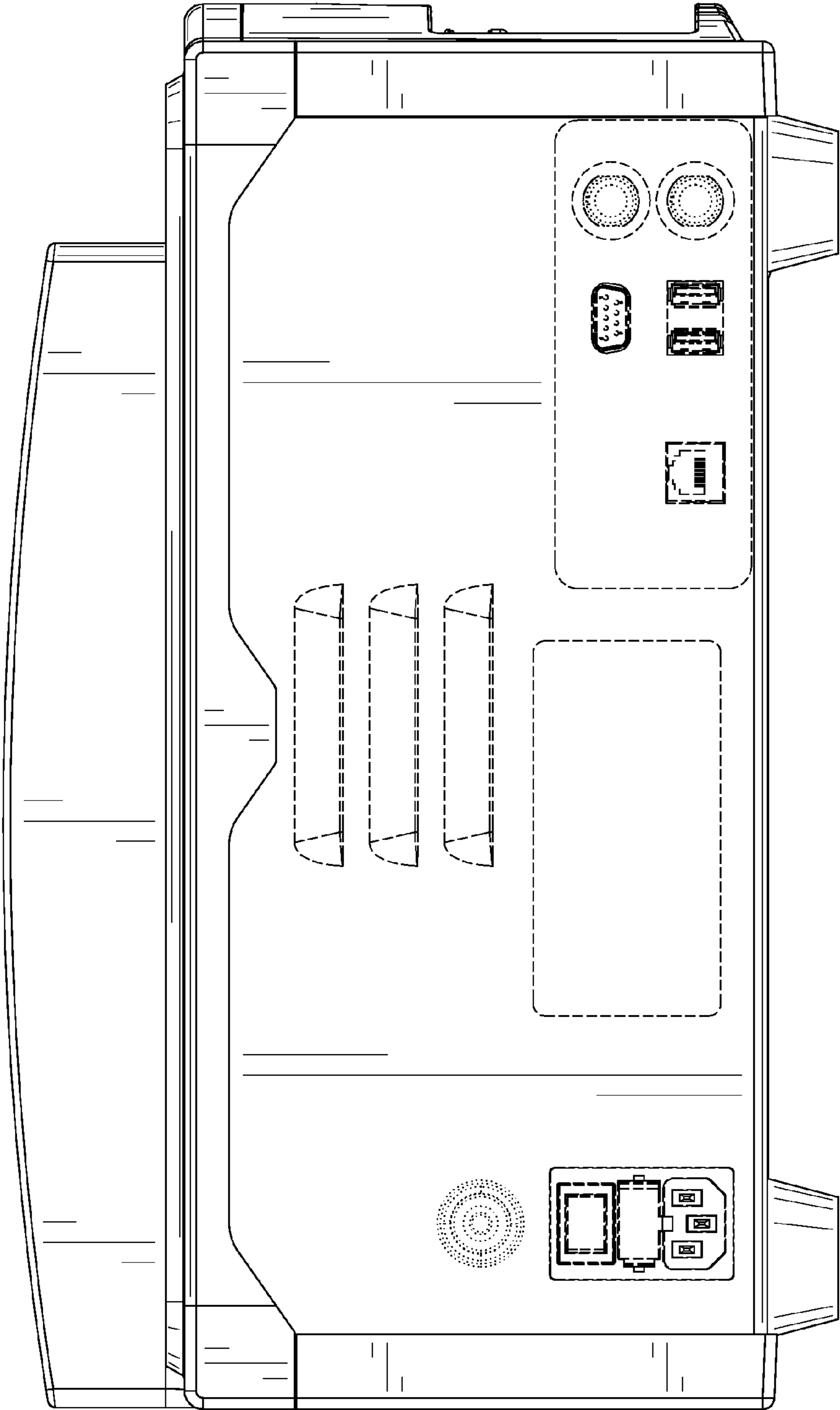


FIG. 2

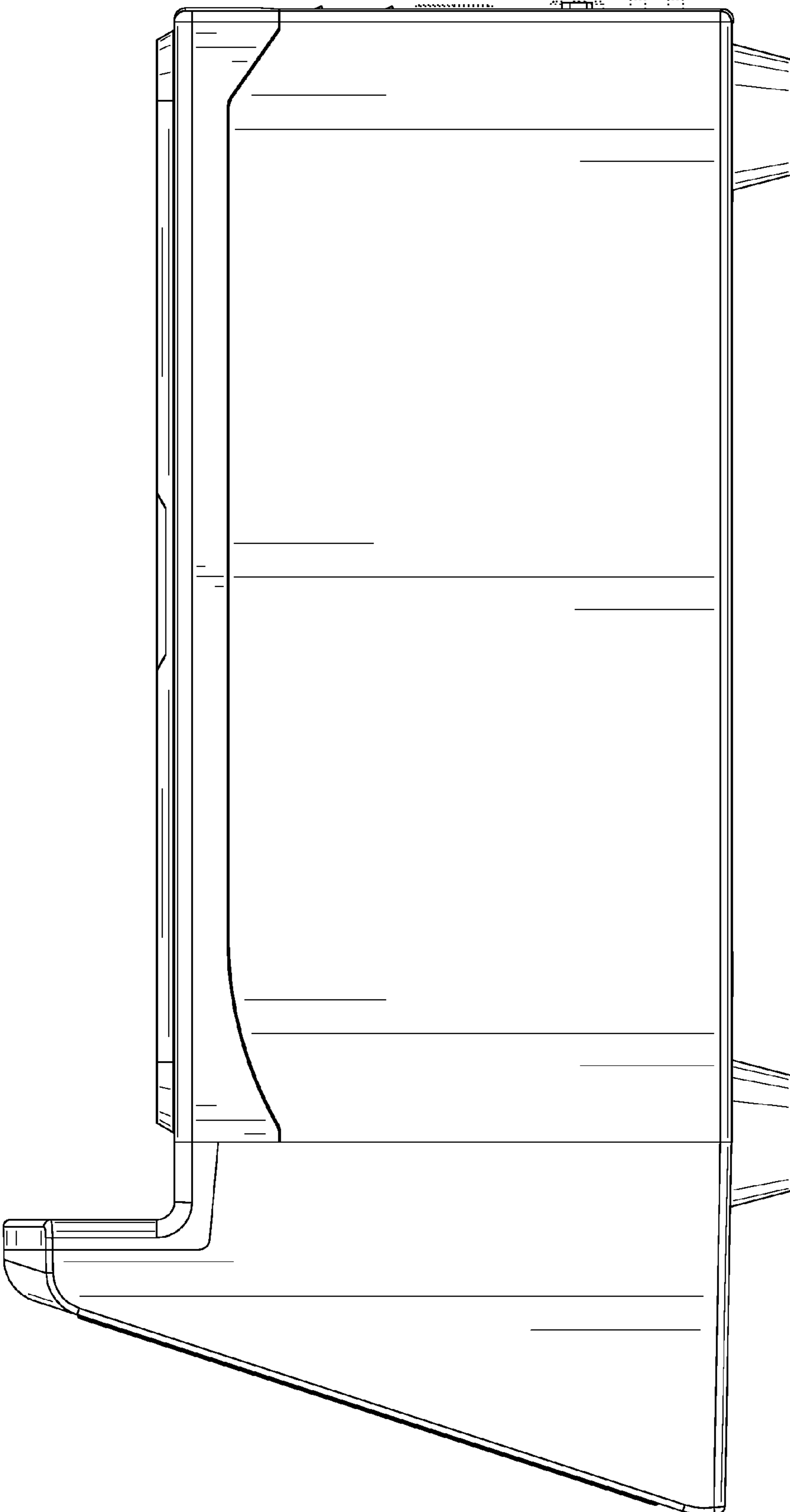


FIG. 3

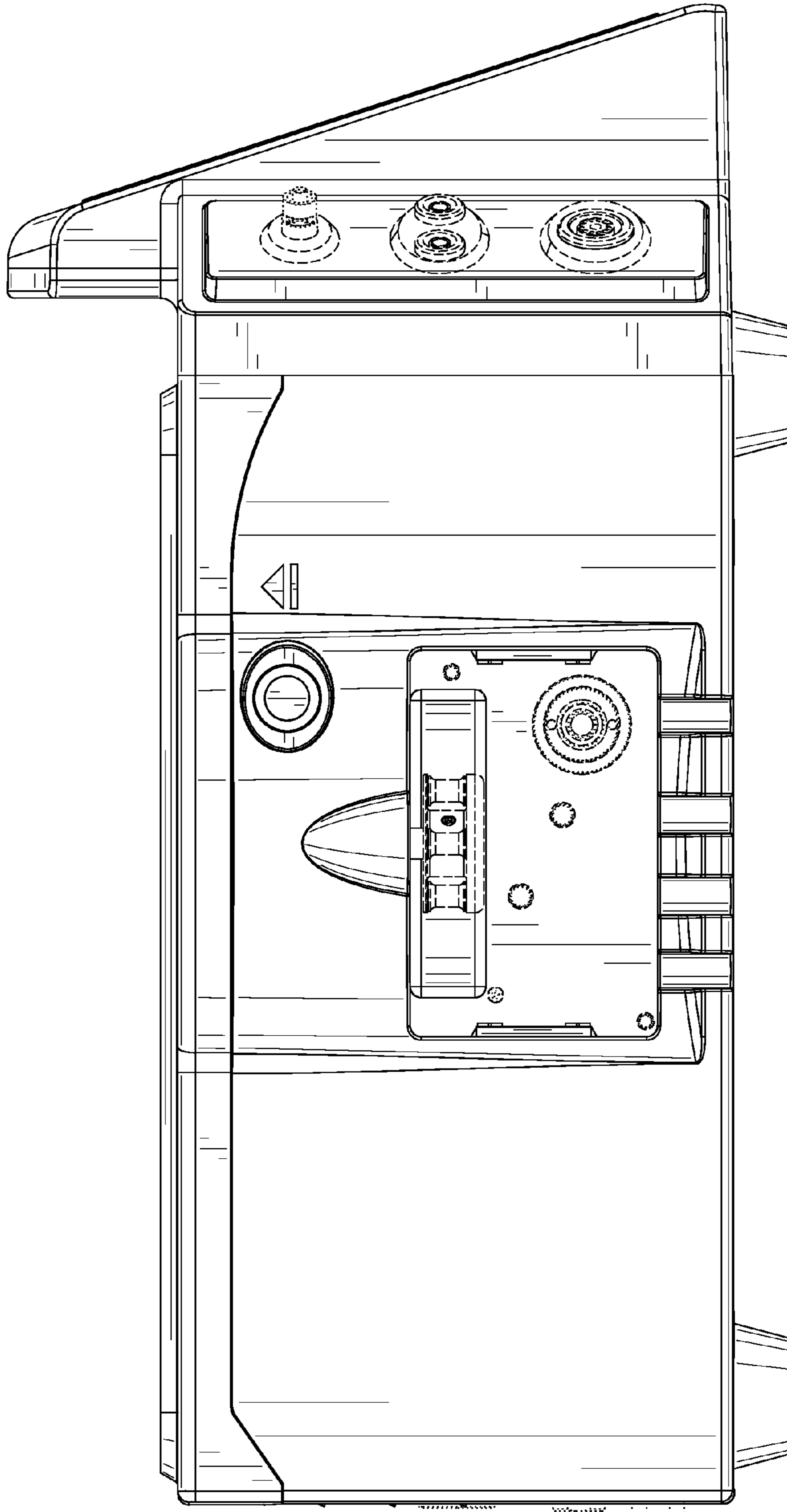


FIG. 4

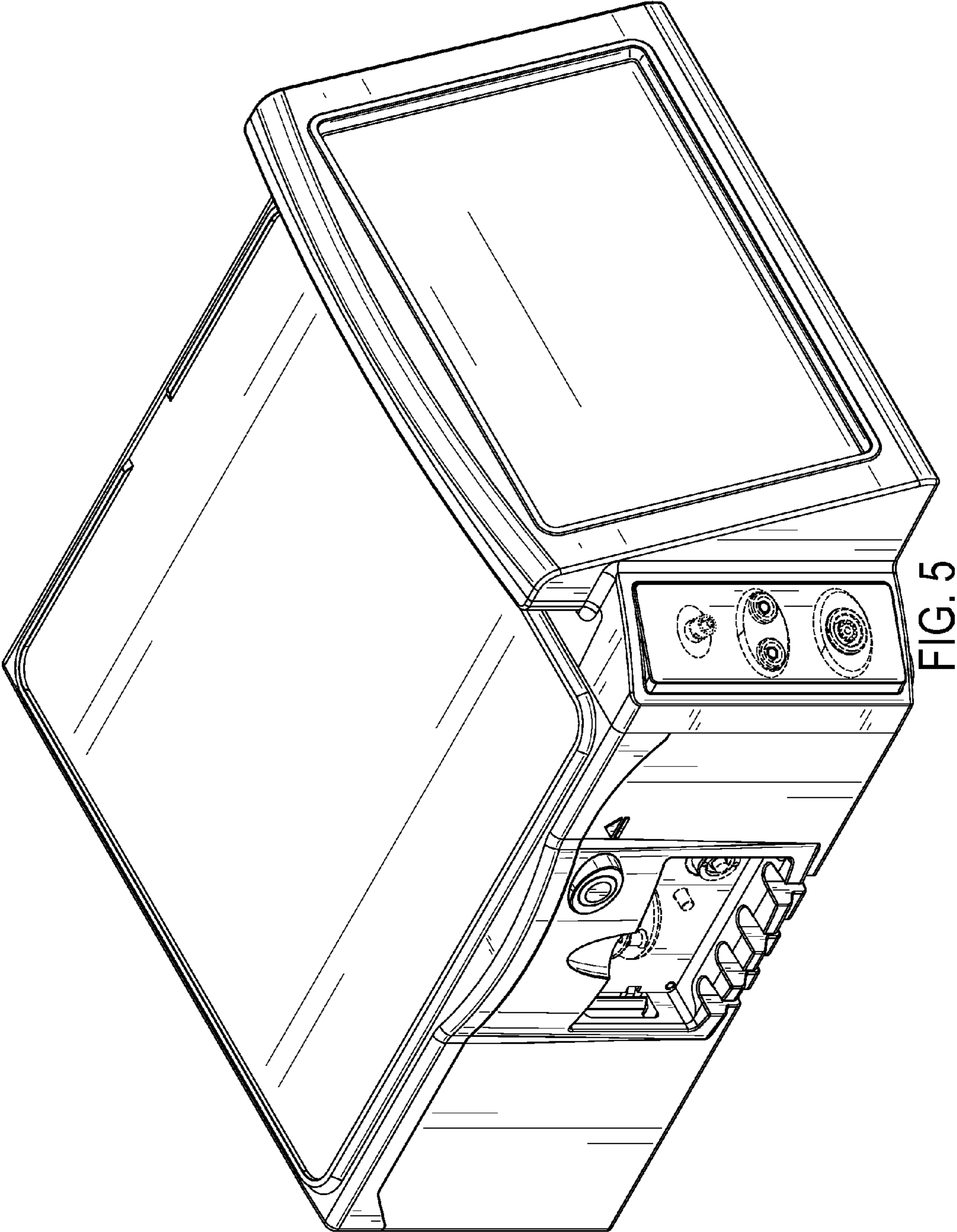


FIG. 5

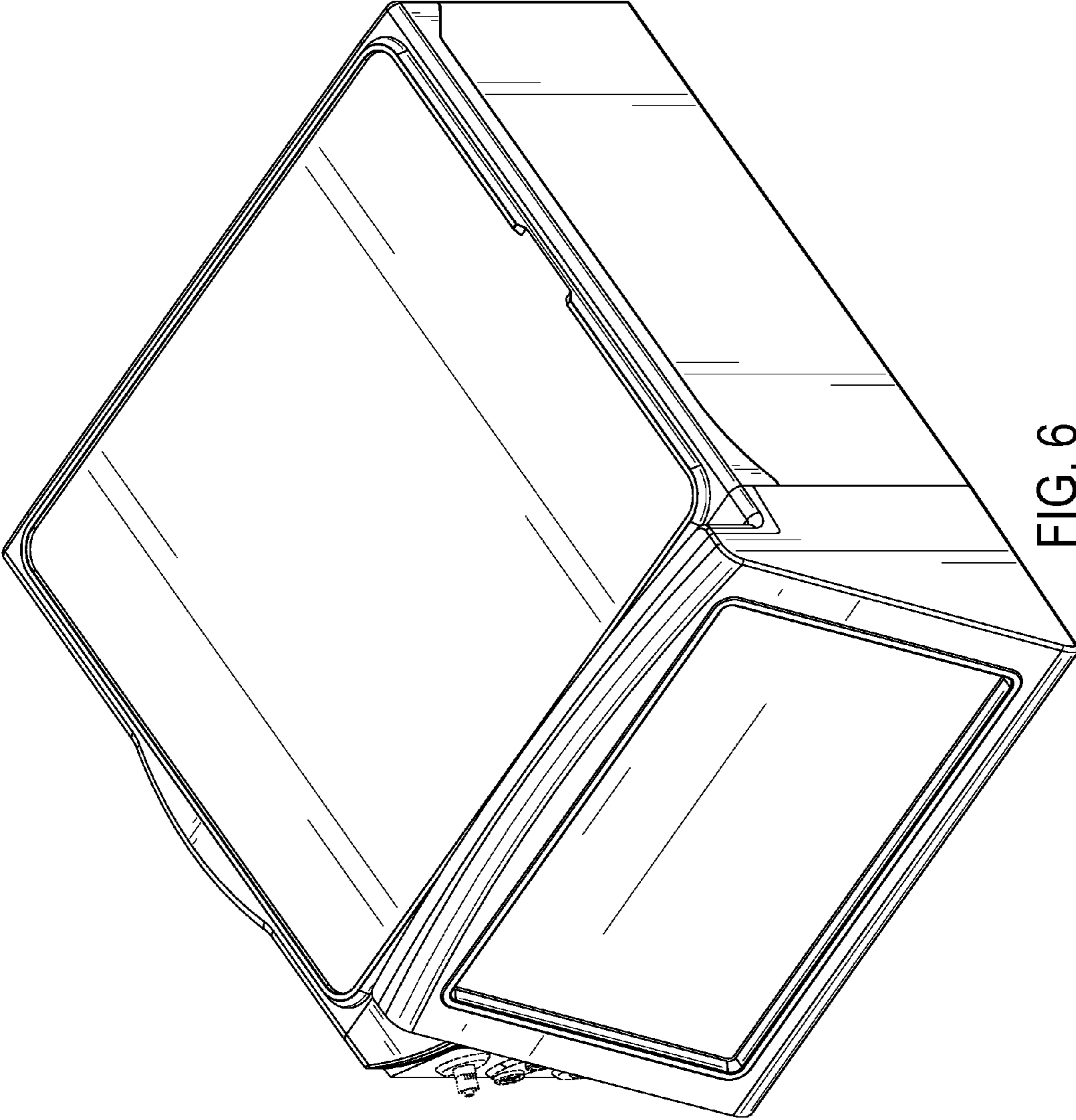


FIG. 6

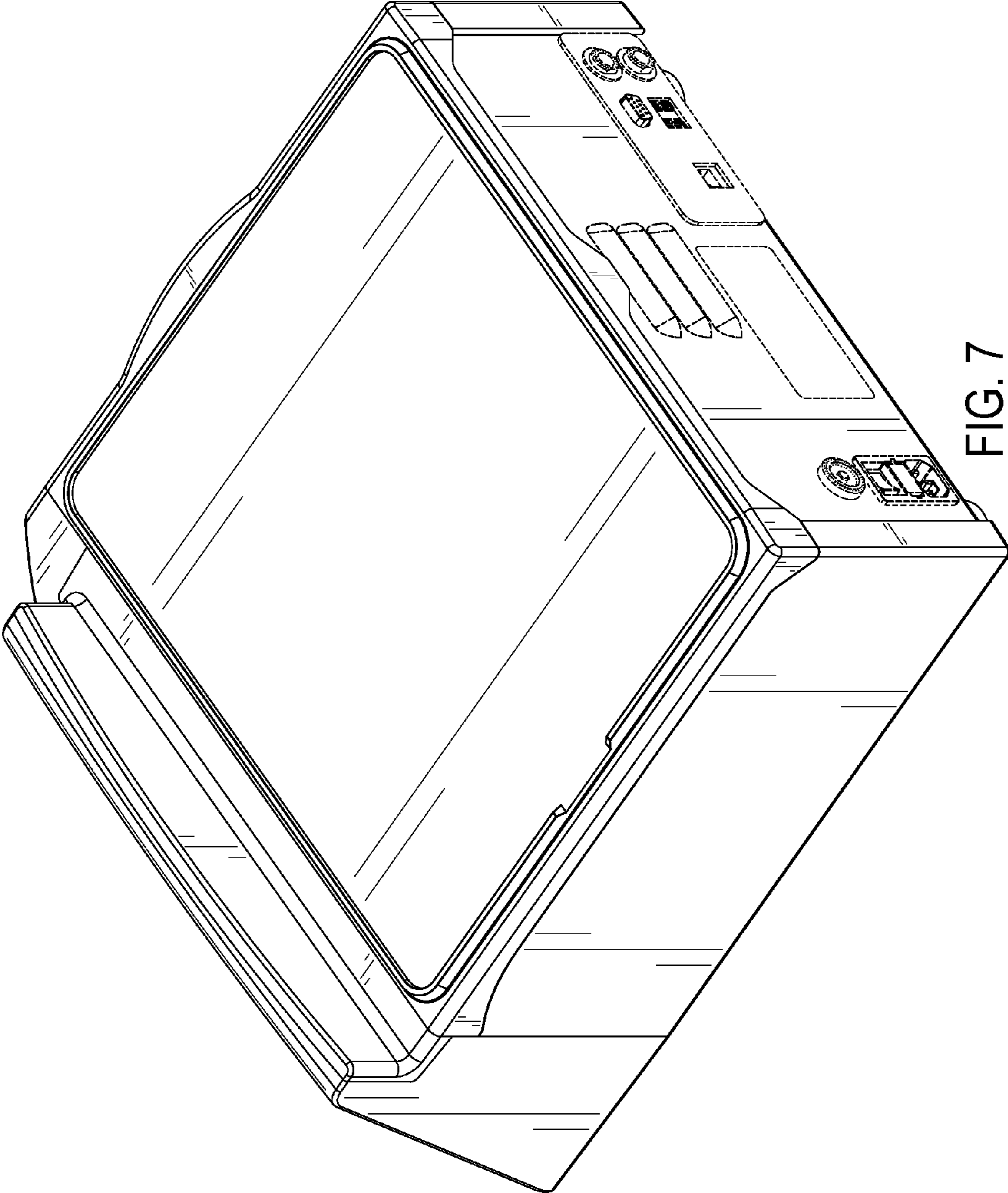


FIG. 7



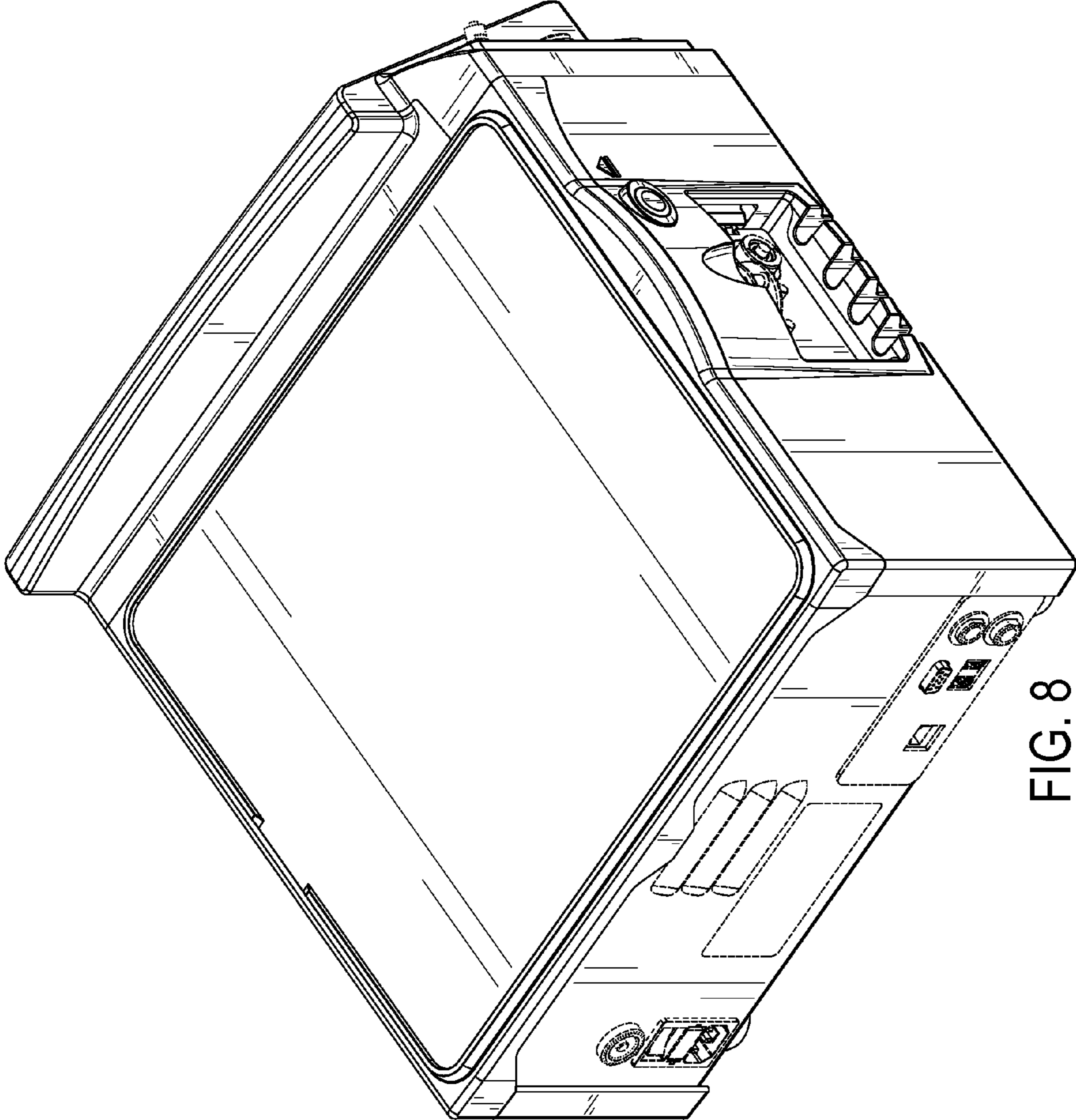


FIG. 8