



US00D734474S

(12) **United States Design Patent**
Farrell

(10) **Patent No.:** **US D734,474 S**

(45) **Date of Patent:** **** Jul. 14, 2015**

(54) **CONTAINER FOR APPLIANCE**

(71) Applicant: **Christopher John Farrell**, Helensvale (AU)

(72) Inventor: **Christopher John Farrell**, Helensvale (AU)

(**) Term: **14 Years**

(21) Appl. No.: **29/504,964**

(22) Filed: **Oct. 10, 2014**

Related U.S. Application Data

(62) Division of application No. 29/437,507, filed on Nov. 16, 2012, now Pat. No. Des. 716,951, which is a division of application No. 29/393,717, filed on Jun. 8, 2011, now Pat. No. Des. 672,557.

(51) **LOC (10) Cl.** **24-99**

(52) **U.S. Cl.**
USPC **D24/176**

(58) **Field of Classification Search**
USPC D24/181, 176-177, 180, 205, 227, 224, D24/121-123, 207; D3/201, 203.1, 230, D3/304, 274, 294; 128/859, 861; 206/563, 206/565, 63.5, 507, 368; 433/77, 79; D9/424-425

See application file for complete search history.

(56) **References Cited**

U.S. PATENT DOCUMENTS

D257,790	S	*	1/1981	Kesling	D24/227
D315,954	S	*	4/1991	Berland	D3/294
D404,644	S	*	1/1999	Meecker	D24/227
D496,154	S	*	9/2004	Herman et al.	D3/203.1
7,201,271	B1	*	4/2007	Saad	206/63.5
D697,302	S	*	1/2014	Pourcho	D3/203.1
2004/0244805	A1	*	12/2004	Cook et al.	128/859
2008/0283422	A1	*	11/2008	Jansheski	206/63.5

* cited by examiner

Primary Examiner — Wan Laymon

(74) *Attorney, Agent, or Firm* — McAndrews Held & Malloy, Ltd.

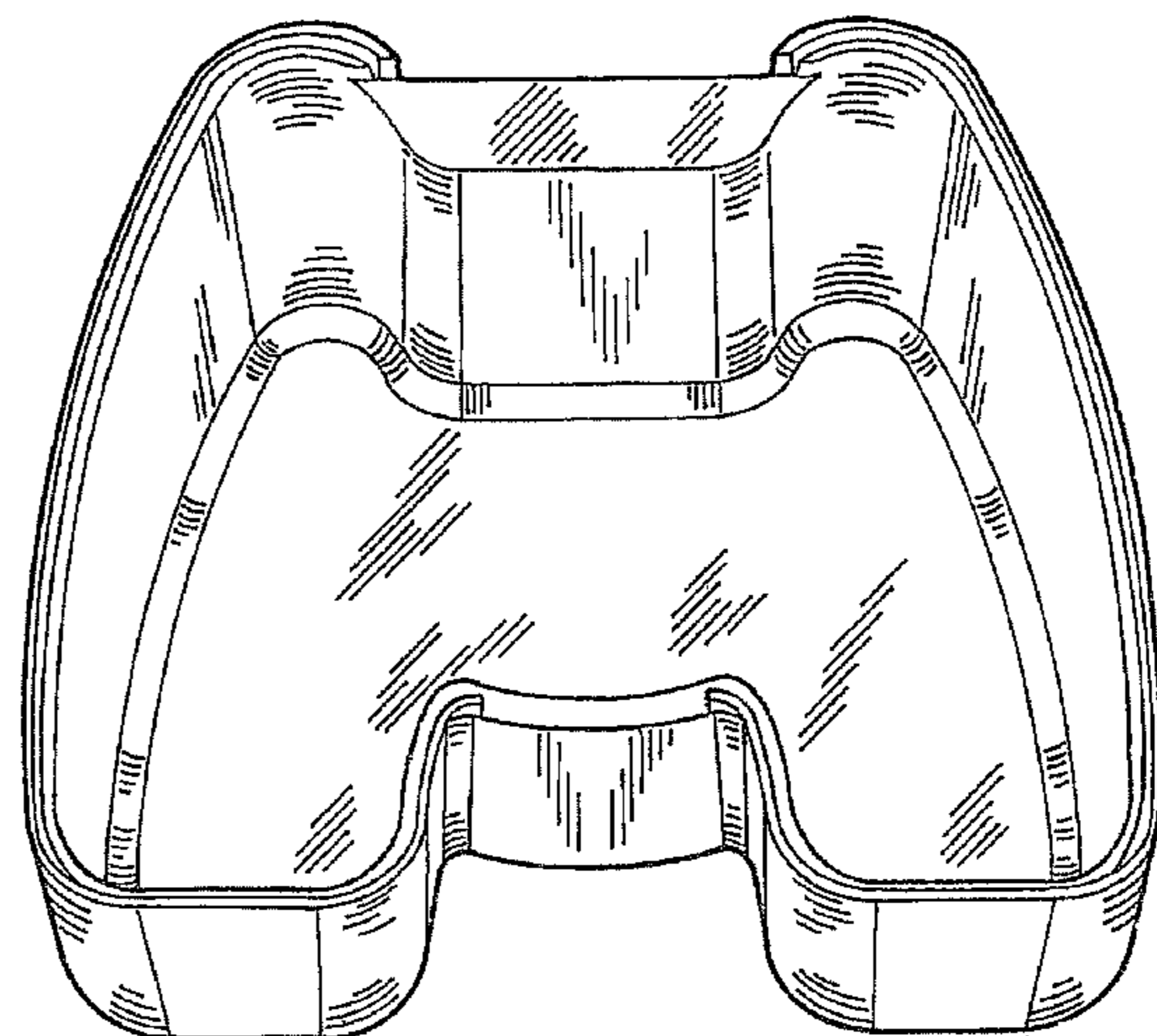
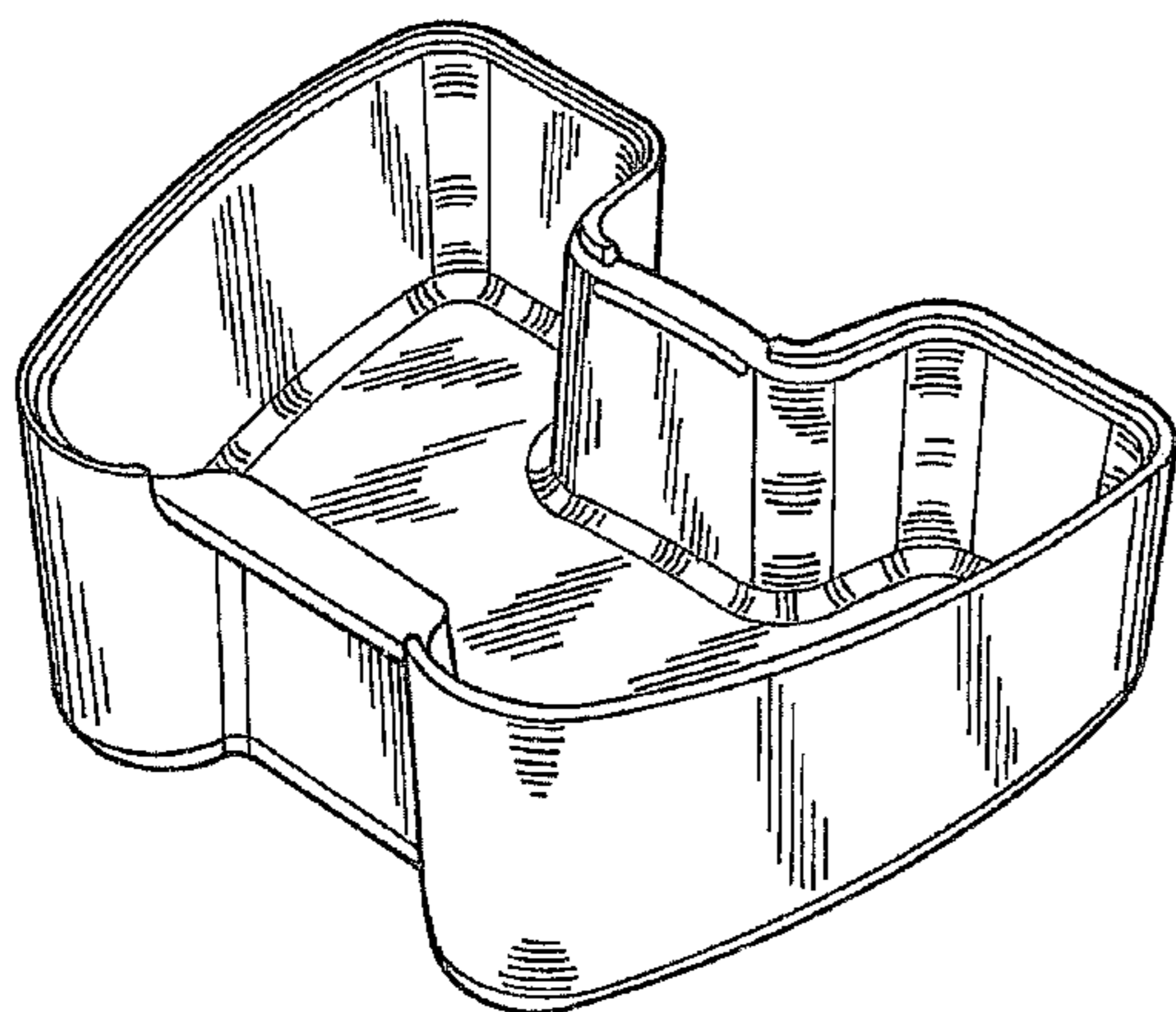
(57) **CLAIM**

The ornamental design for a container for appliance, as shown and described.

DESCRIPTION

FIG. 1 is a rear perspective view of a first embodiment of a container for appliance showing my new design; FIG. 2 is a front perspective view thereof; FIG. 3 is a rear view thereof; FIG. 4 is a front view thereof; FIG. 5 is a side view thereof; FIG. 6 is a top plan view thereof; and, FIG. 7 is a bottom plan view thereof. Any portions of the container for appliance not shown in the drawings form no part of the claimed design.

1 Claim, 6 Drawing Sheets



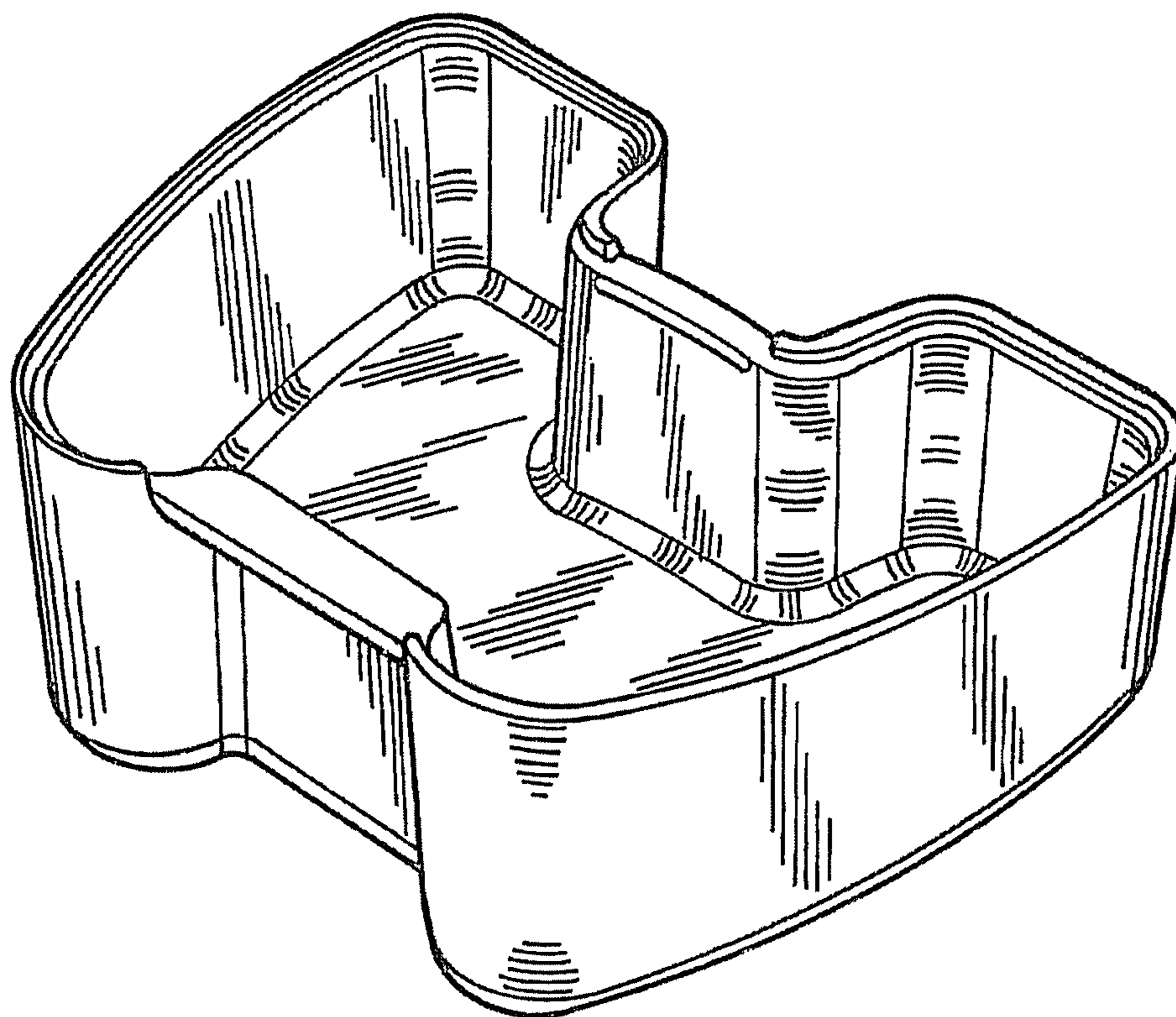


FIG. 1

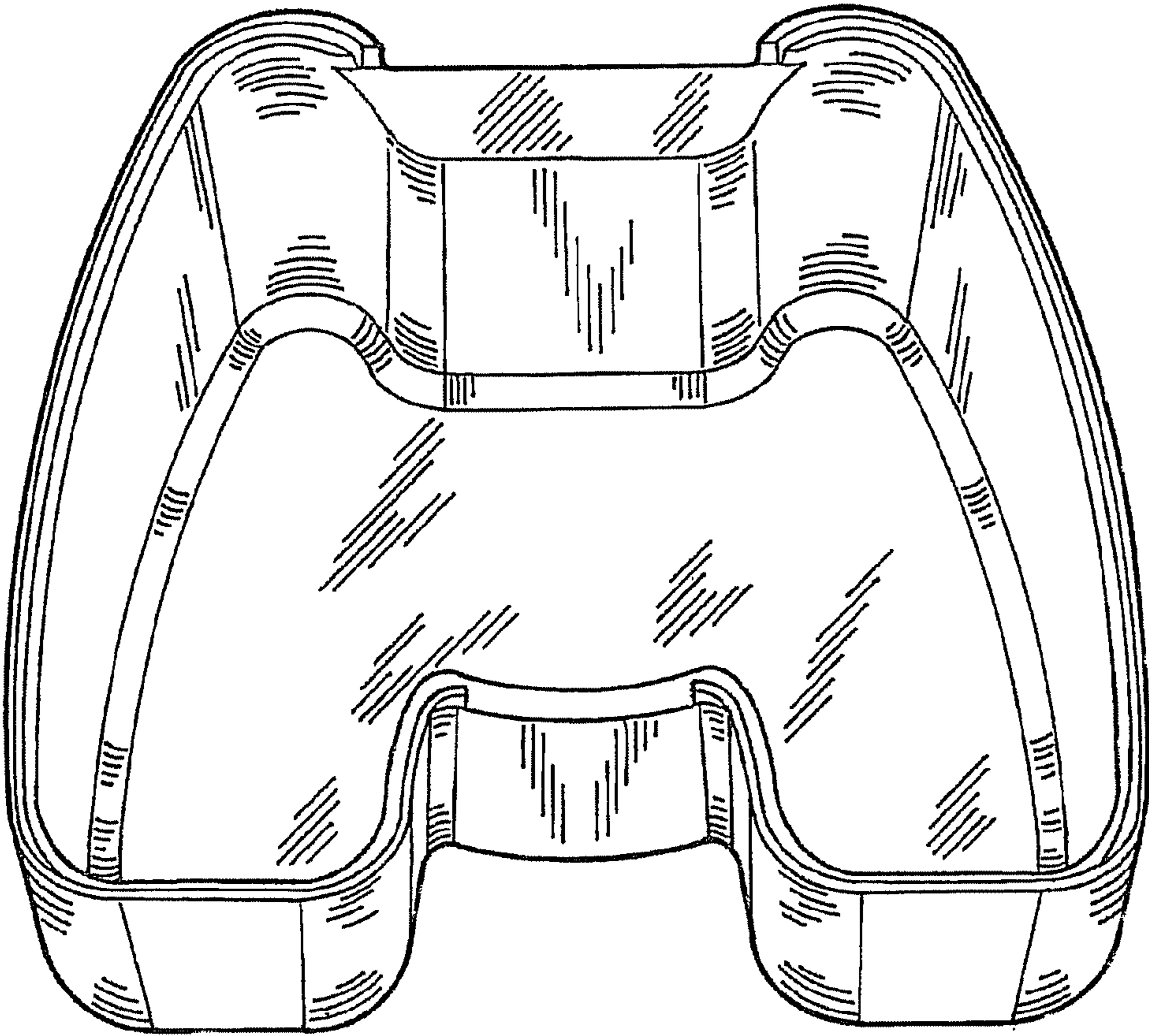


FIG. 2

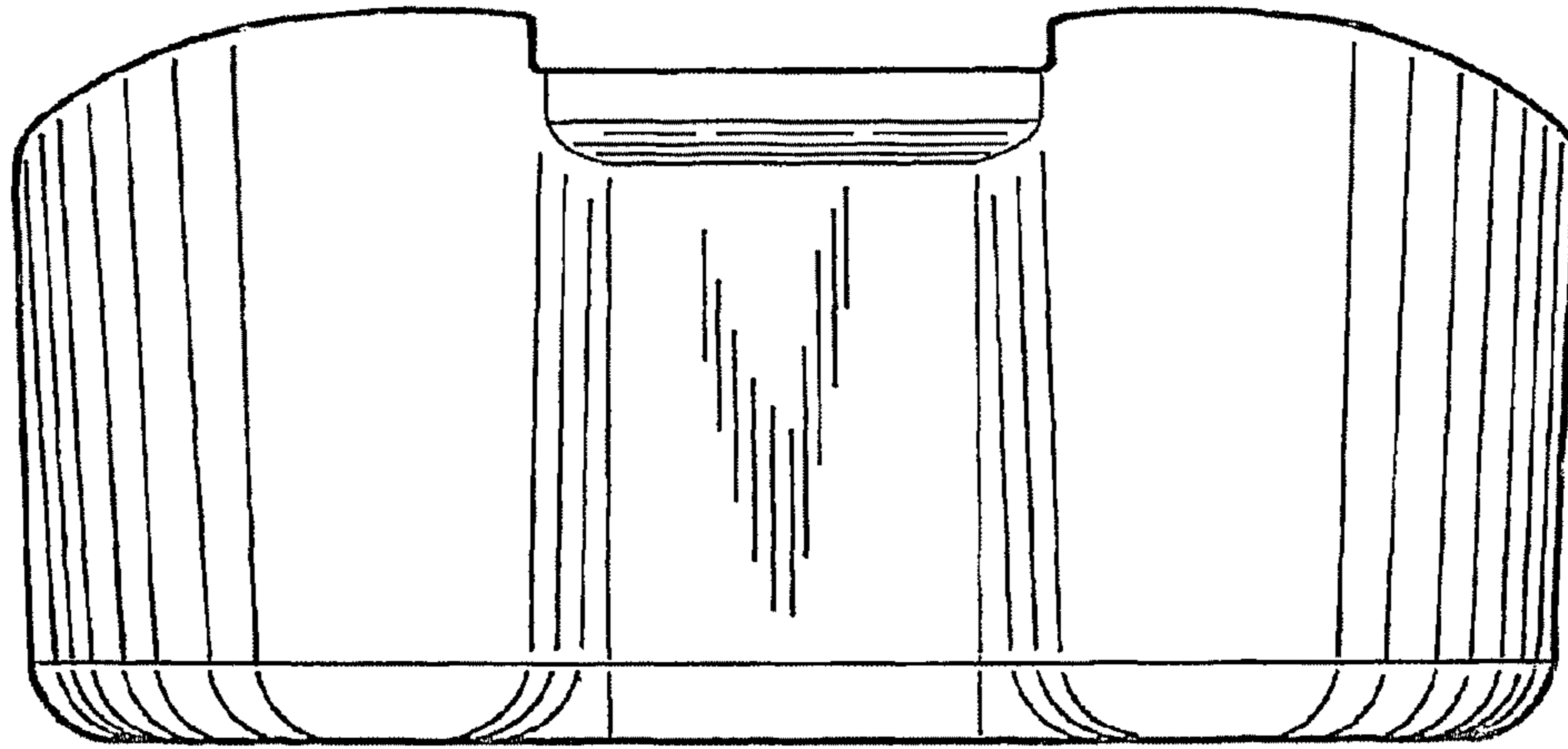


FIG. 3

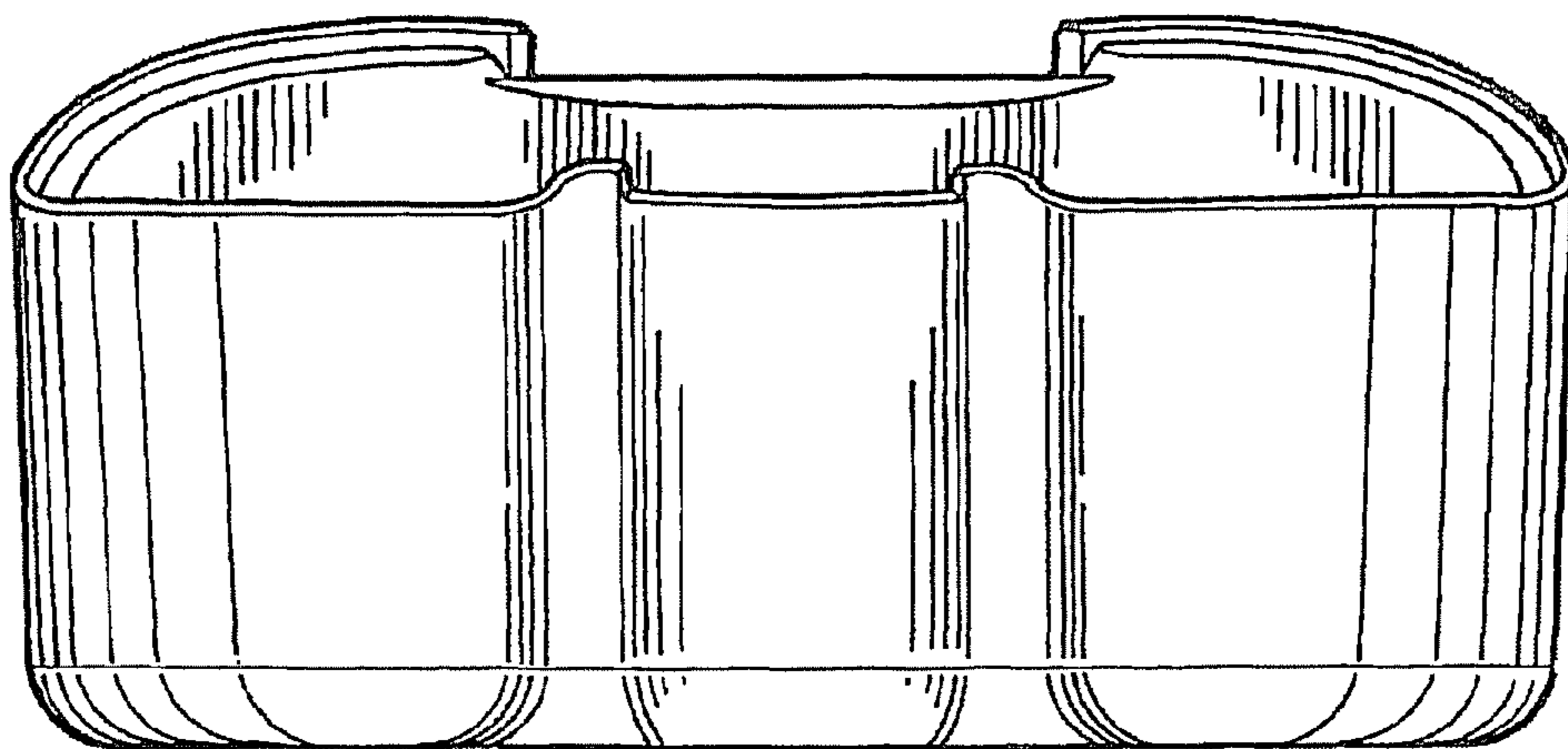


FIG. 4

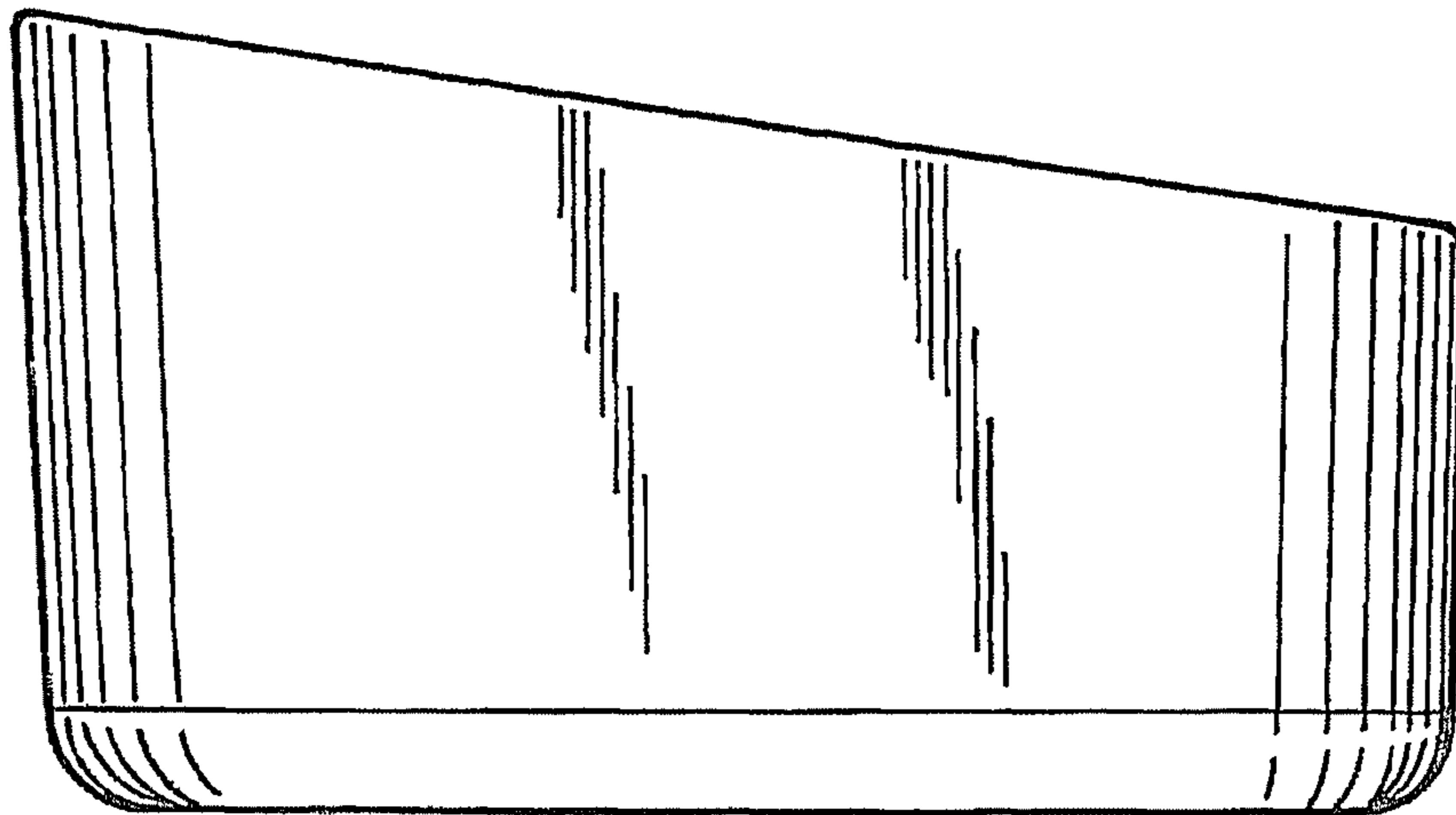


FIG. 5

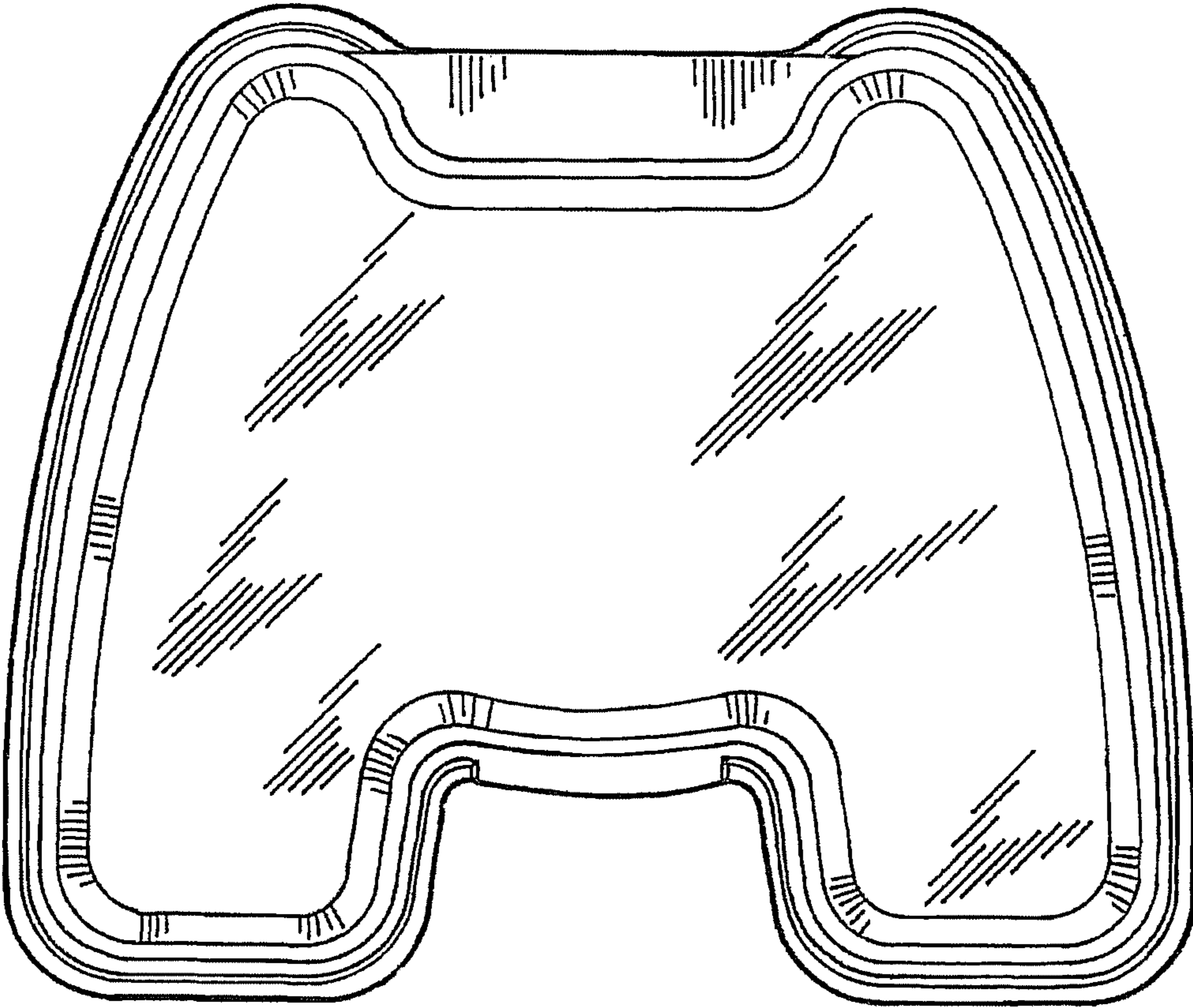


FIG. 6

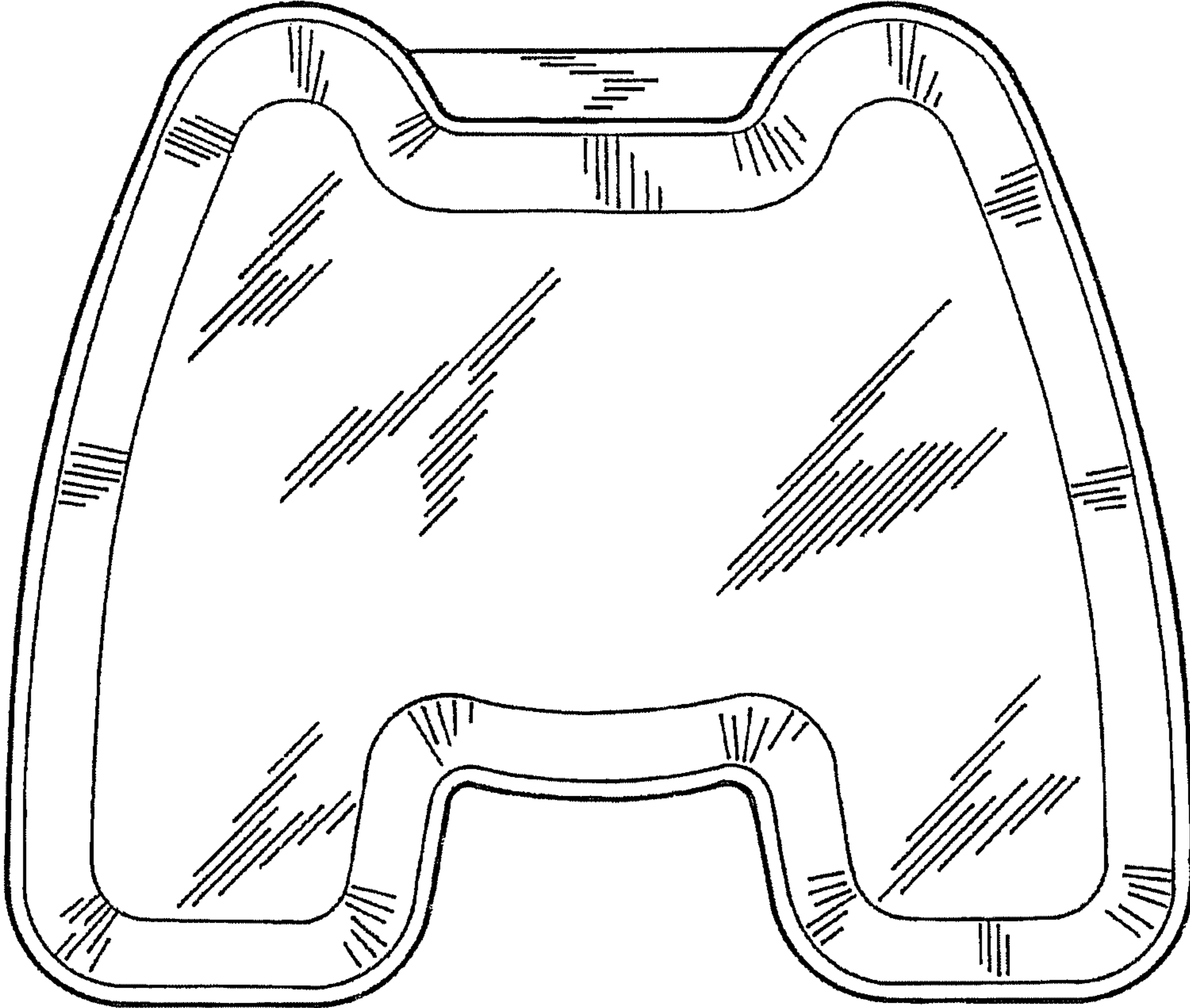


FIG. 7