



US00D734471S

(12) **United States Design Patent**
Pollanen

(10) **Patent No.:** **US D734,471 S**
(45) **Date of Patent:** **** Jul. 14, 2015**

(54) **EYE TESTING APPARATUS**

(71) Applicant: **OCUSPECTO OY**, Turku (FI)

(72) Inventor: **Ari Pollanen**, Turku (FI)

(73) Assignee: **Ocuspecto Oy**, Turku (FI)

(**) Term: **14 Years**

(21) Appl. No.: **29/483,454**

(22) Filed: **Feb. 28, 2014**

(30) **Foreign Application Priority Data**

Sep. 2, 2013 (EM) 002301036

(51) **LOC (10) Cl.** **24-00**

(52) **U.S. Cl.**
USPC **D24/172**

(58) **Field of Classification Search**

USPC D24/172, 189, 190, 137, 128; 351/224,
351/226; 356/302; D16/101, 312; 359/813,
359/871; 602/41, 74; 2/15; 128/858;
604/291

CPC A61B 3/024; G01J 3/02; G11B 7/0932;
B60R 1/06; A61F 13/02; A61F 13/12; A61F
9/04; A61F 7/02

See application file for complete search history.

(56) **References Cited**

U.S. PATENT DOCUMENTS

2,283,752 A * 5/1942 Gonsett 2/15
4,559,047 A * 12/1985 Kapralis et al. 604/291

(Continued)

Primary Examiner — Holly Baynham

Assistant Examiner — Rhea Shields

(74) *Attorney, Agent, or Firm* — James C. Lydon

(57) **CLAIM**

The ornamental design for an eye testing apparatus, as shown and described.

DESCRIPTION

FIG. 1 is a front perspective view of the eye testing apparatus in the perimeter position.

FIG. 2 is a front view of the eye testing apparatus in the perimeter position.

FIG. 3 is a rear perspective view of the eye testing apparatus in the perimeter position.

FIG. 4 is a rear view of the eye testing apparatus in the perimeter position.

FIG. 5 is a side view of the eye testing apparatus in the perimeter position. The right and left sides of the eye testing apparatus in the perimeter position are identical.

FIG. 6 is a top view of the eye testing apparatus in the perimeter position.

FIG. 7 is a bottom view of the eye testing apparatus in the perimeter position.

FIG. 8 is a front perspective view of the eye testing apparatus in the visus position.

FIG. 9 is a front view of the eye testing apparatus in the visus position.

FIG. 10 is a rear perspective view of the eye testing apparatus in the visus position.

FIG. 11 is a rear view of the eye testing apparatus in the visus position.

FIG. 12 is a side view of the eye testing apparatus in the visus position. The right and left sides of the eye testing apparatus in the visus position are identical.

FIG. 13 is a top view of the eye testing apparatus in the visus position.

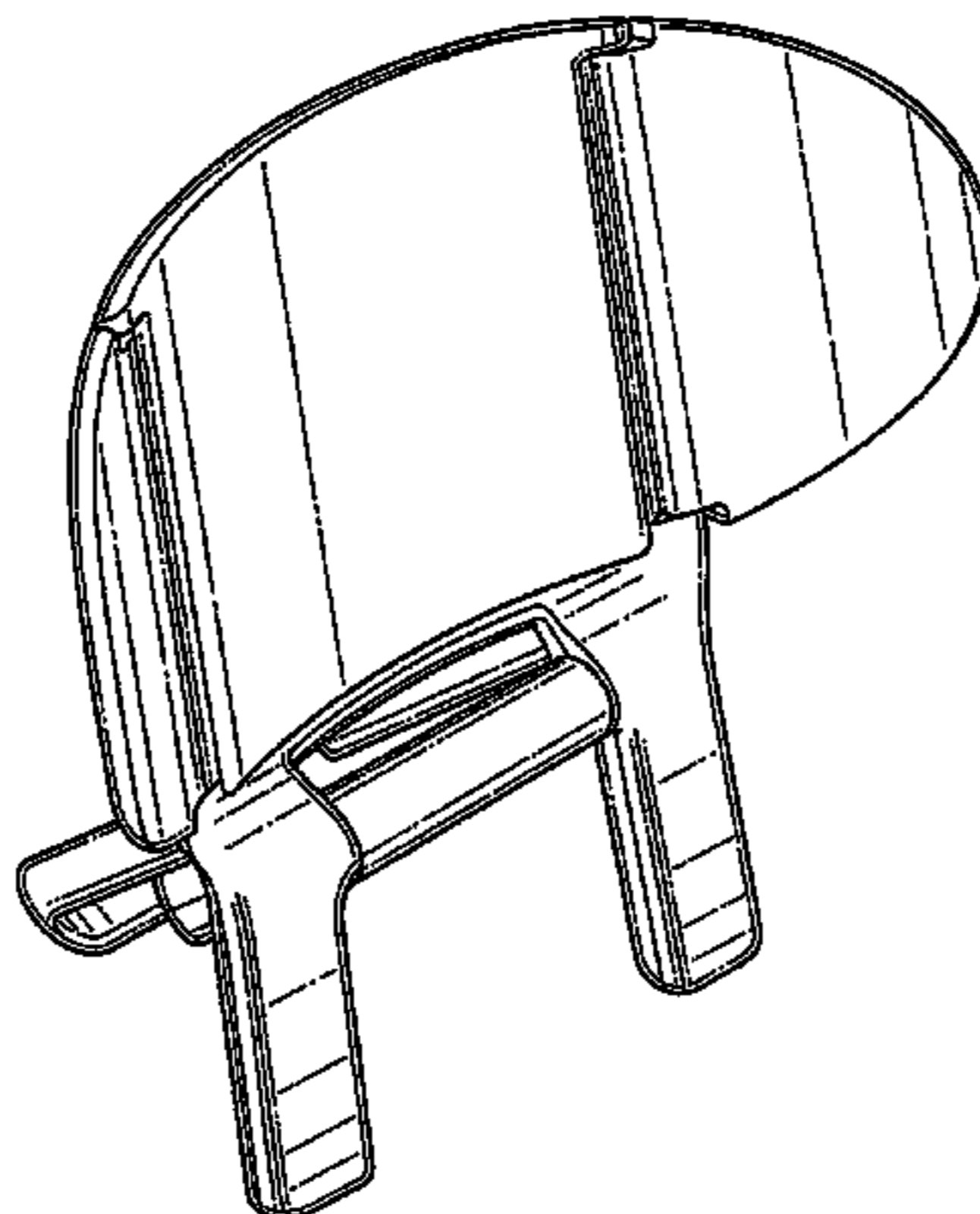
FIG. 14 is a bottom perspective view of the eye testing apparatus in the visus position.

FIG. 15 is a front perspective view of the eye testing apparatus in the transport position; and,

FIG. 16 is a rear perspective view of the eye testing apparatus in the transport position.

The drawings illustrate three positions of the eye testing apparatus: a perimeter position in which the perimeter surface is open and the display unit faces towards the rear of the device, a “visus” position in which the perimeter surface is open and the display unit faces toward the front of the device, and a transport position in which the sides of the perimeter surface are folded towards a center of the perimeter surface and the display unit is positioned between the folded sides and the center portion of the peripheral surface. Information shown by the display of the display unit does not form part of the ornamental design.

1 Claim, 16 Drawing Sheets



(56)

References Cited

U.S. PATENT DOCUMENTS

4,679,920 A * 7/1987 Takashi et al. 351/226
 4,907,580 A * 3/1990 Leonardi 602/74
 D309,465 S * 7/1990 Russell D16/312
 5,183,059 A * 2/1993 Leonardi 128/858
 5,459,536 A * 10/1995 Shalon et al. 351/226
 5,740,550 A * 4/1998 Yavitz 2/15
 5,769,806 A * 6/1998 Radow 602/41
 D421,124 S * 2/2000 Yavitz D24/189
 D424,691 S * 5/2000 Yavitz D24/128
 D425,623 S * 5/2000 Funk D24/189
 D436,665 S * 1/2001 Becker D24/172
 D440,660 S * 4/2001 Sternberg D24/190
 D442,693 S * 5/2001 Sternberg et al. D24/190
 D444,236 S * 6/2001 Koop et al. D24/172
 6,612,700 B2 * 9/2003 Walther 351/224

D533,572 S * 12/2006 Howard et al. D16/101
 7,265,917 B2 * 9/2007 Kugler et al. 359/813
 D552,736 S * 10/2007 Yamaoka D24/172
 7,478,911 B2 * 1/2009 Inakagata et al. 351/224
 D607,562 S * 1/2010 Heine et al. D24/137
 D614,774 S * 4/2010 Gausmann et al. D24/172
 D639,441 S * 6/2011 Sferle D24/189
 D674,903 S * 1/2013 Harder D24/189
 D698,444 S * 1/2014 Mensink D24/172
 D705,430 S * 5/2014 Sekine D24/172
 D709,199 S * 7/2014 Kambe et al. D24/172
 D723,698 S * 3/2015 Cockley D24/172
 2005/0068498 A1 * 3/2005 Suzuki 351/224
 2006/0001831 A1 * 1/2006 Sumiya 351/224
 2009/0303626 A1 * 12/2009 Xalter et al. 359/871
 2010/0171926 A1 * 7/2010 Padula 351/224
 2010/0208254 A1 * 8/2010 Arnz 356/302

* cited by examiner

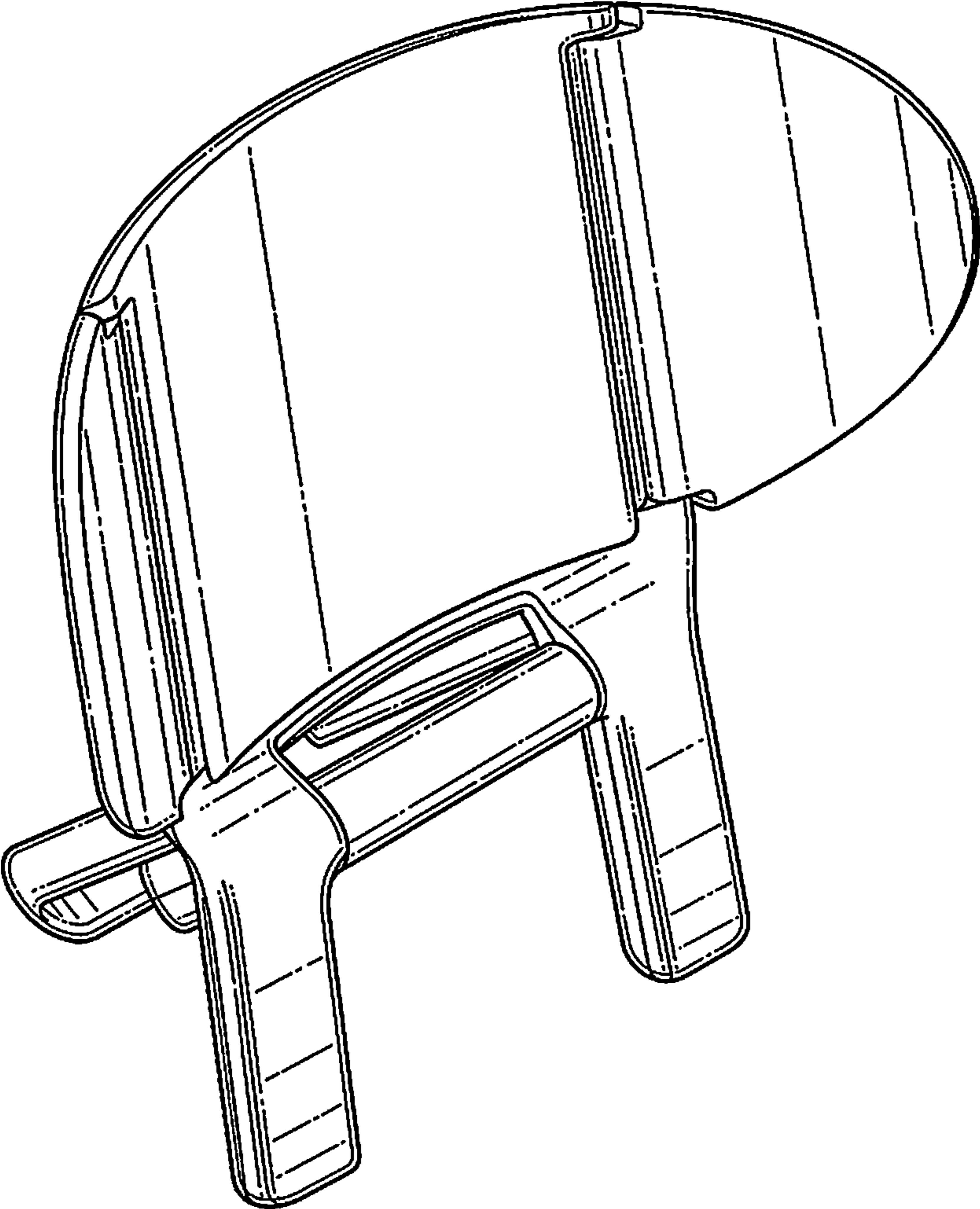


FIG. 1

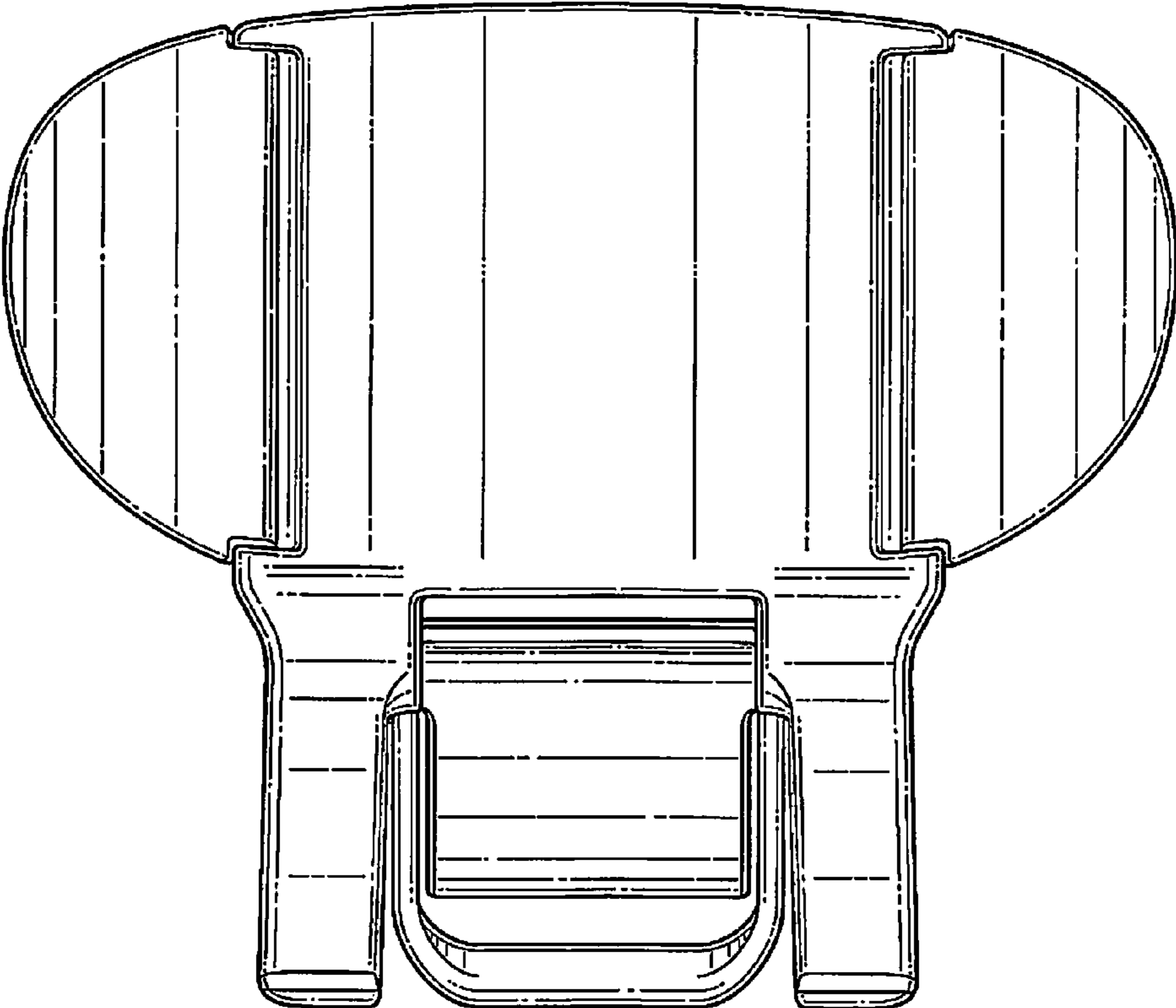


FIG. 2

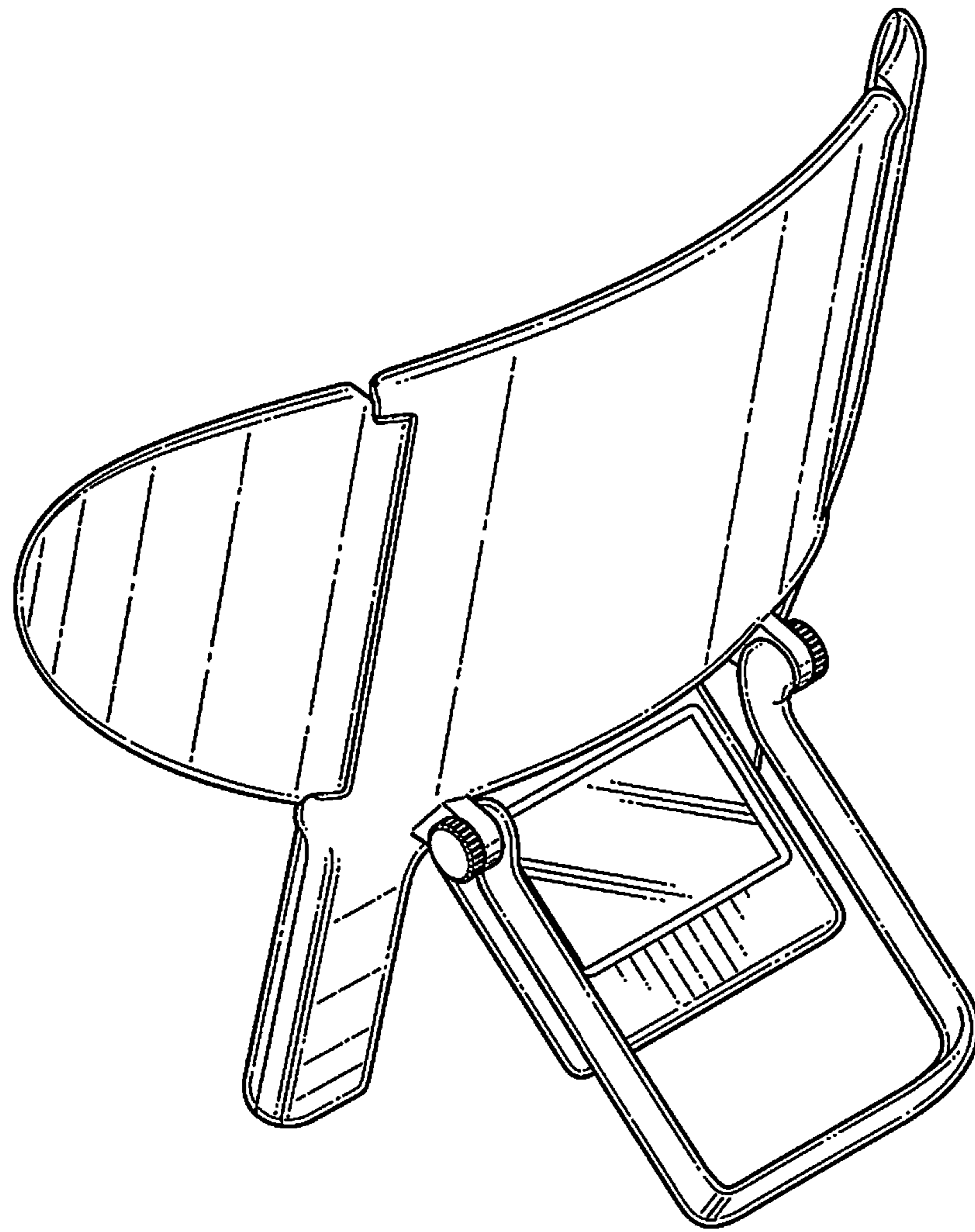


FIG. 3

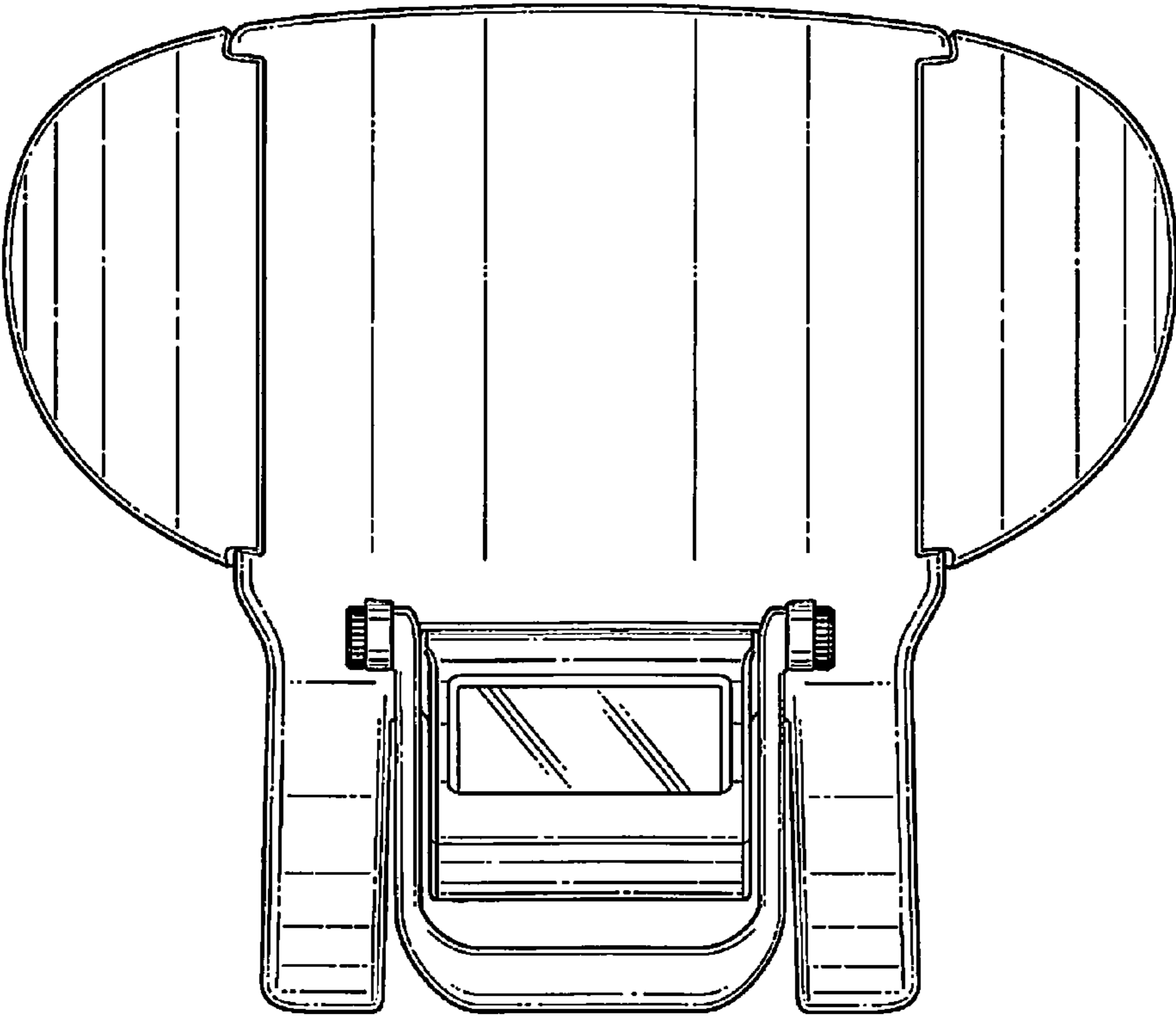


FIG. 4

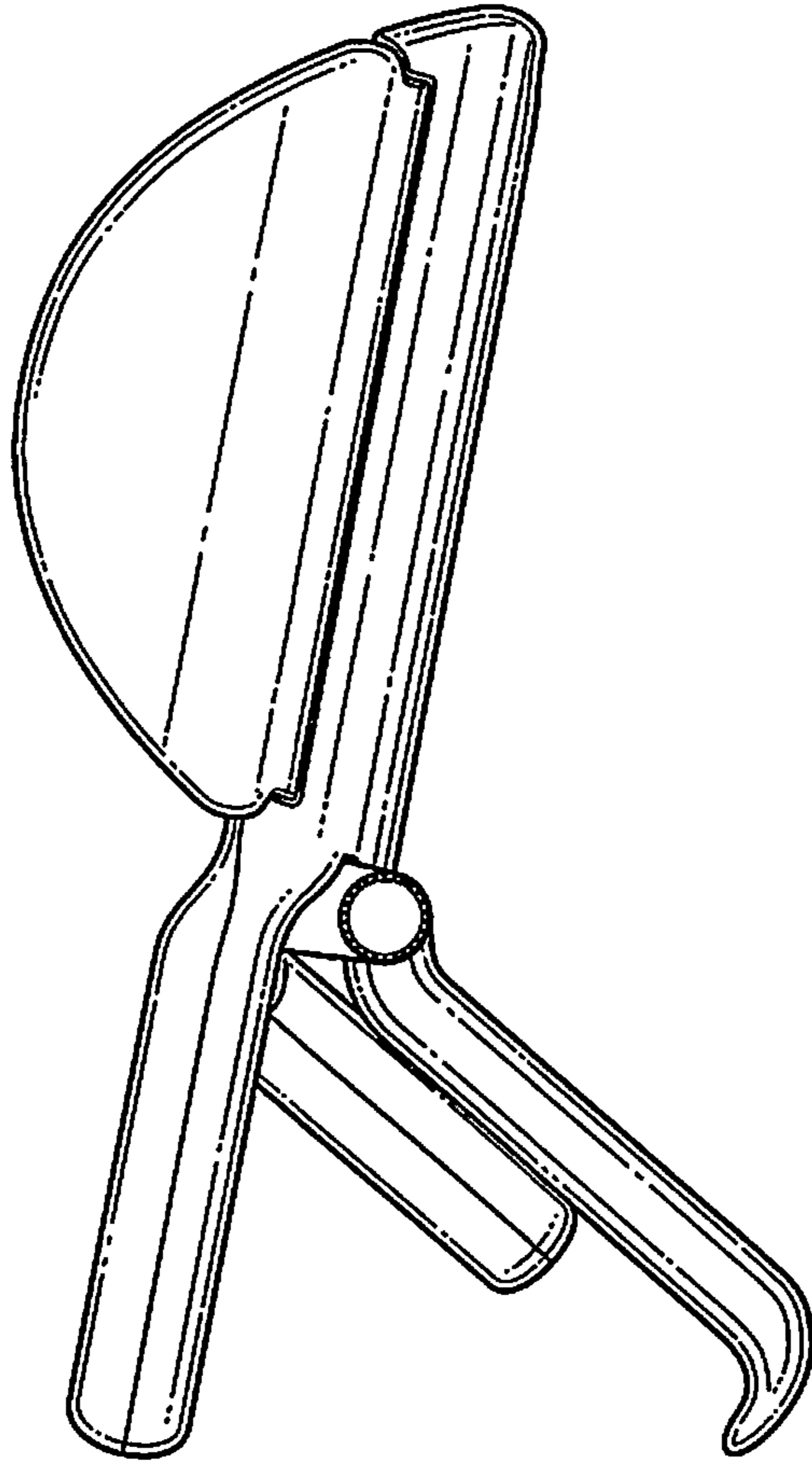


FIG. 5

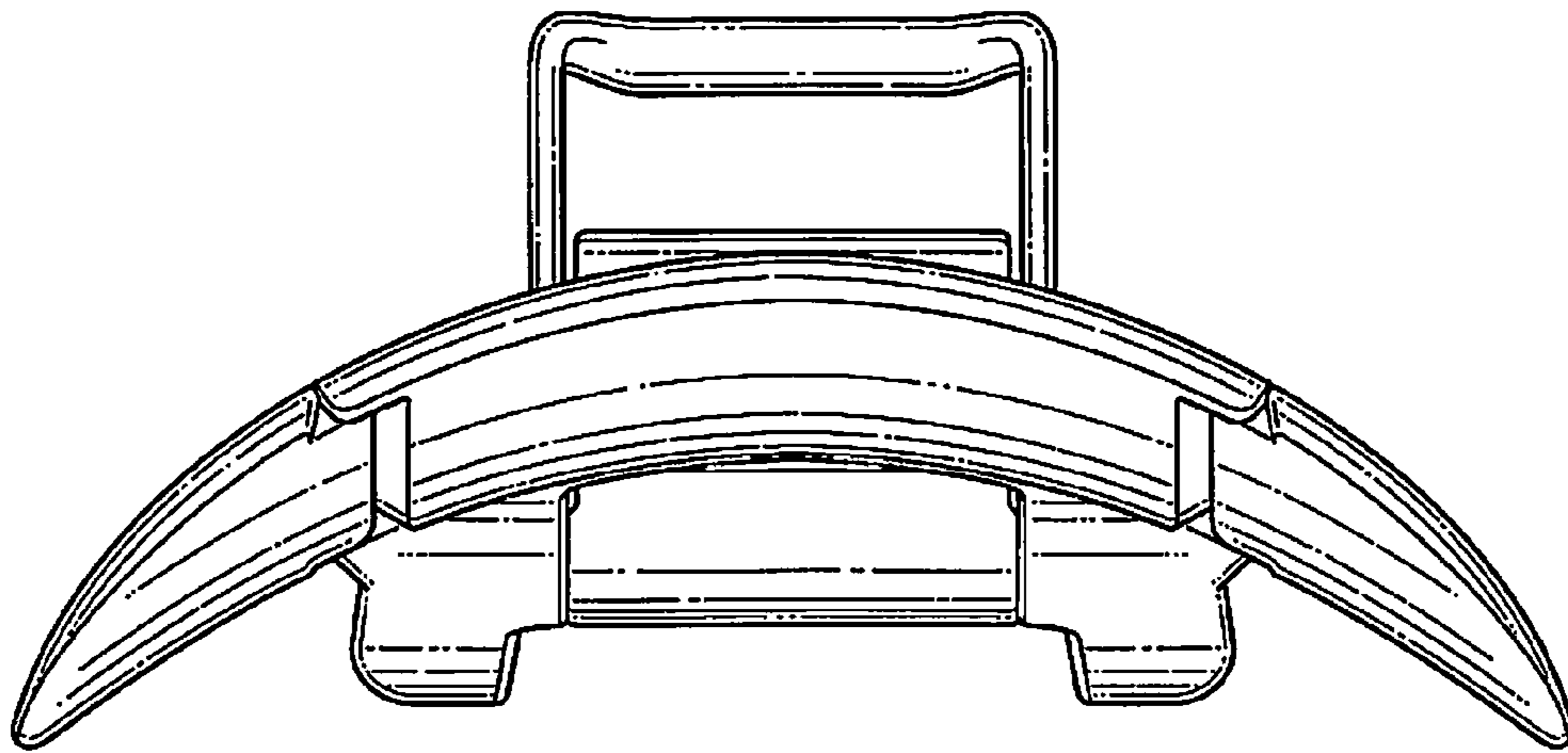


FIG. 6

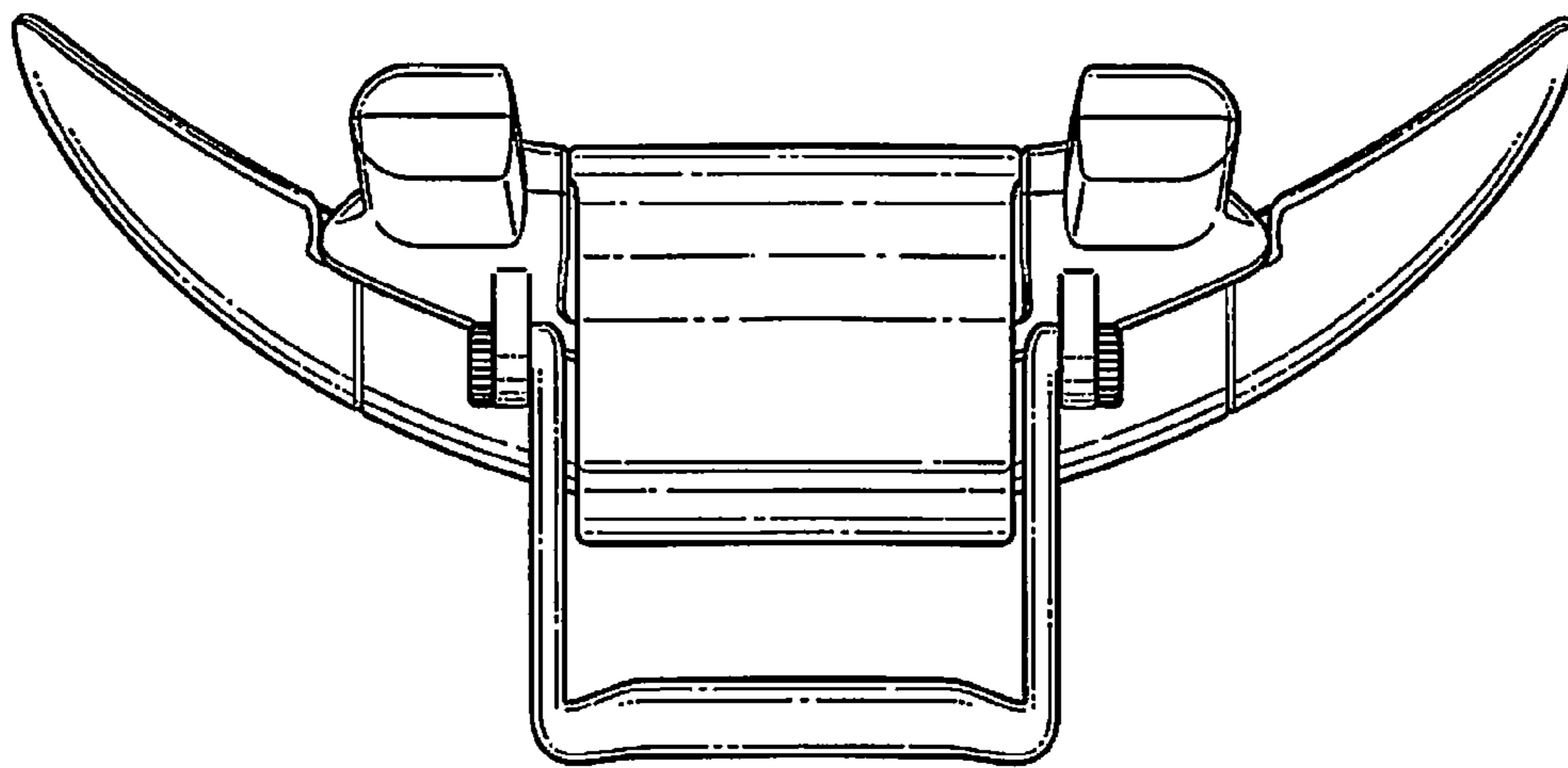


FIG. 7

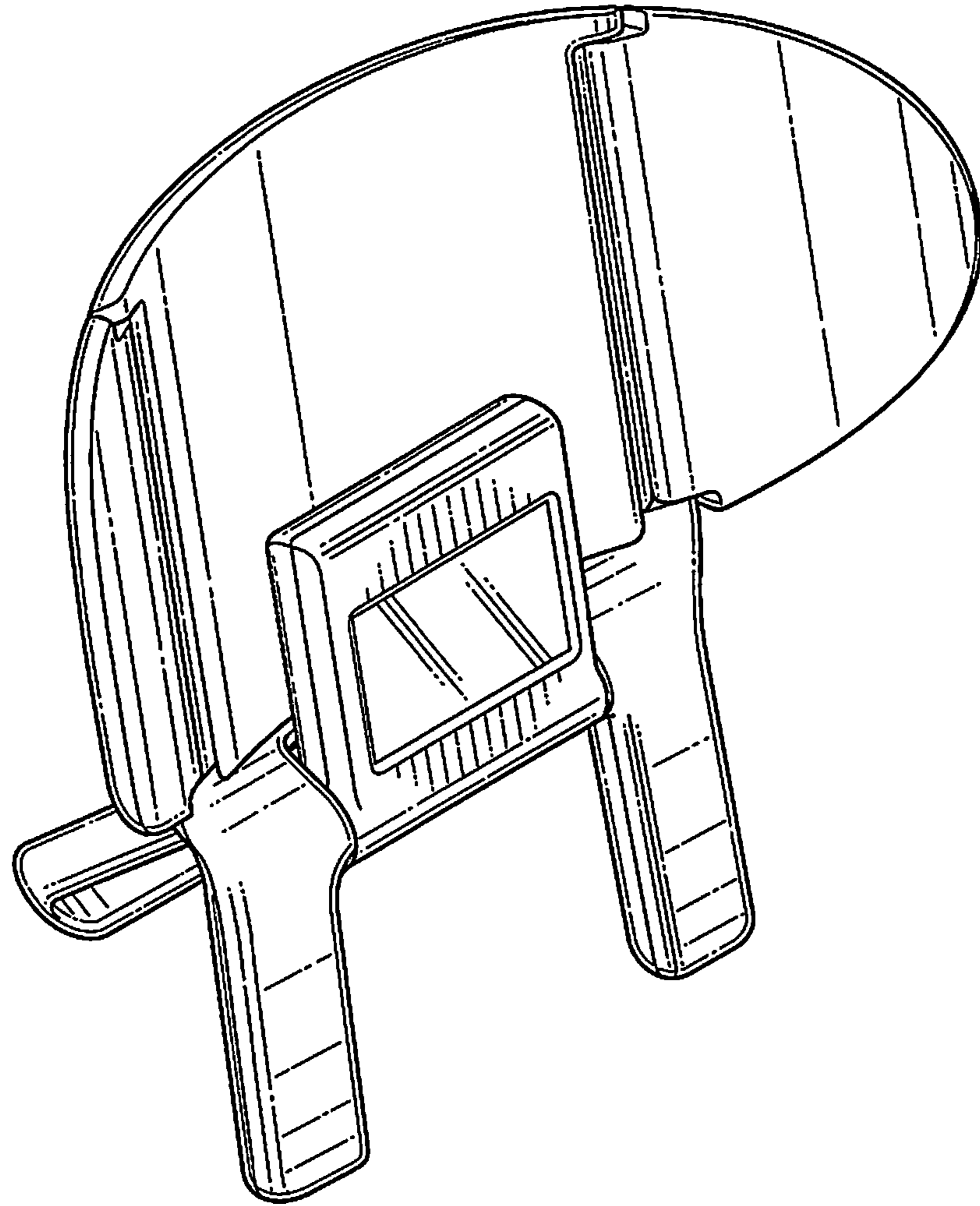


FIG. 8

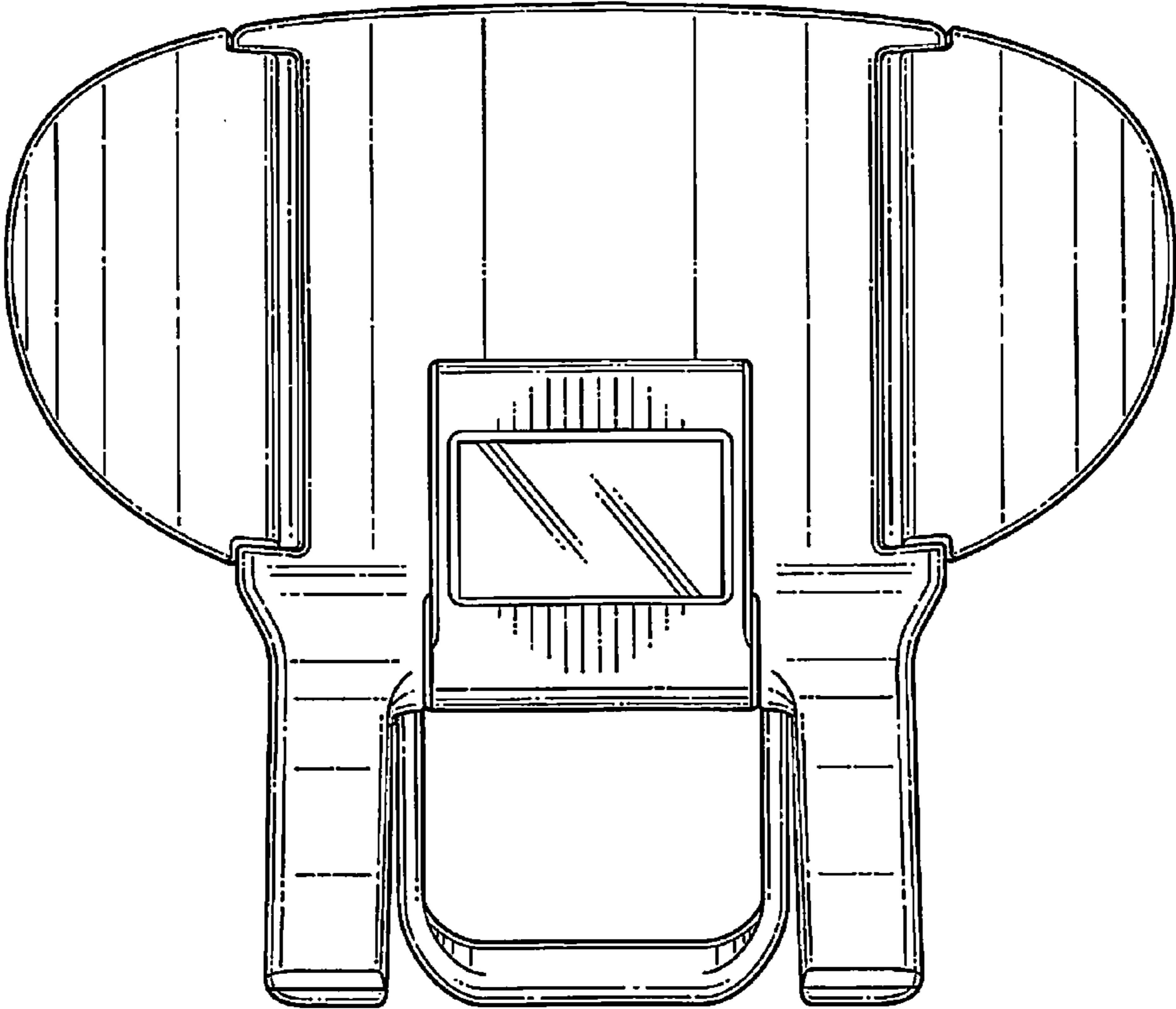


FIG. 9

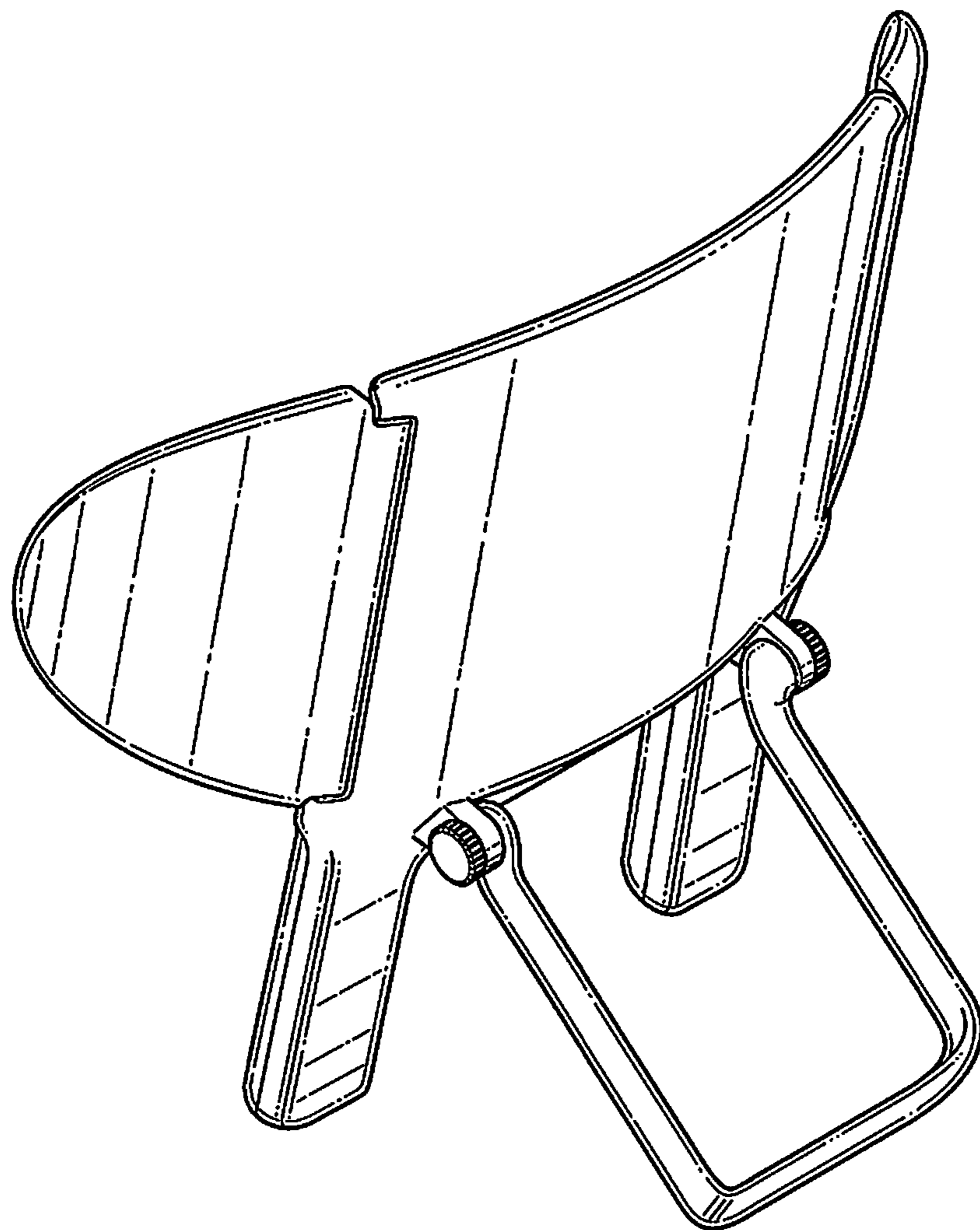


FIG. 10

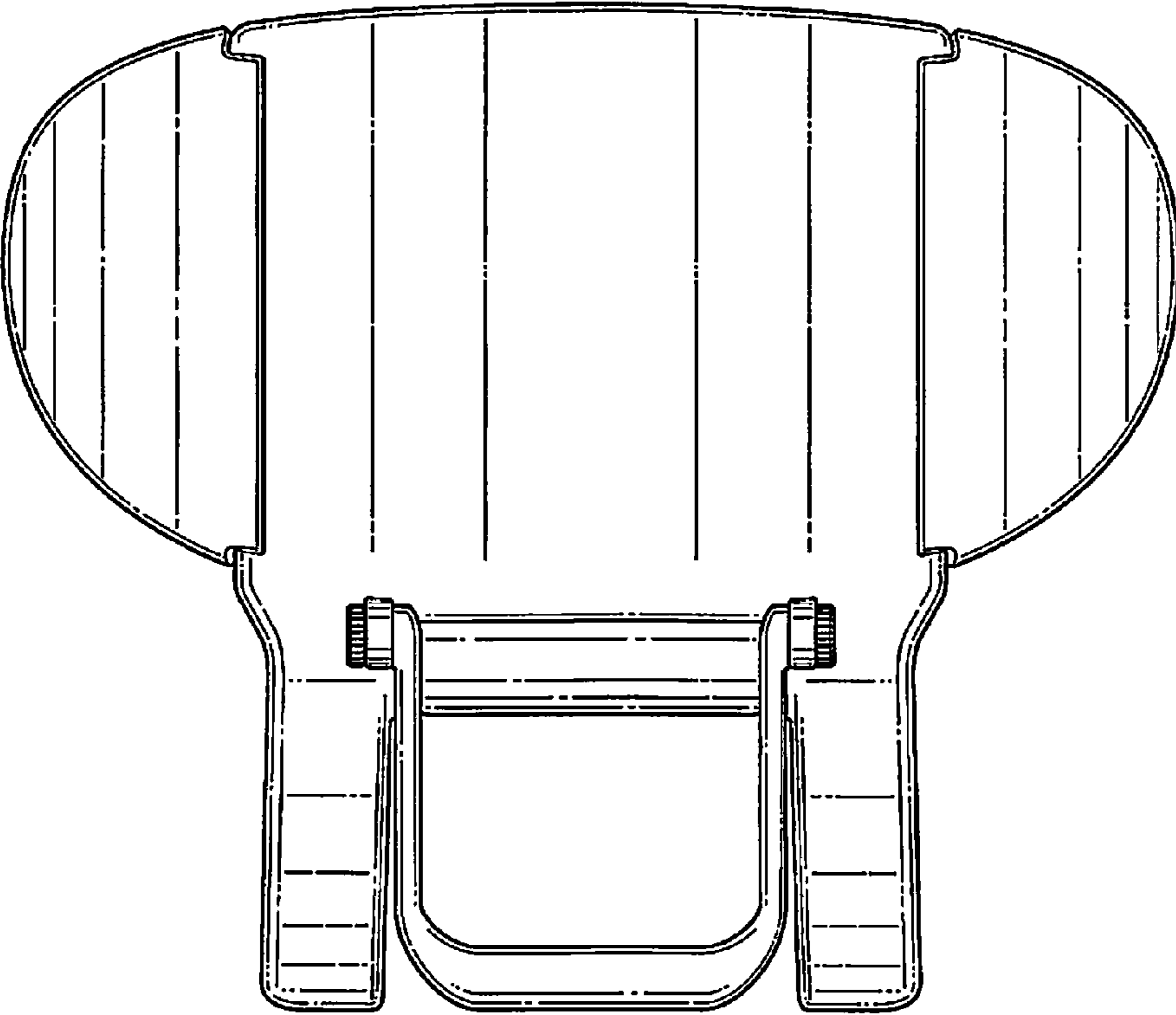


FIG. 11

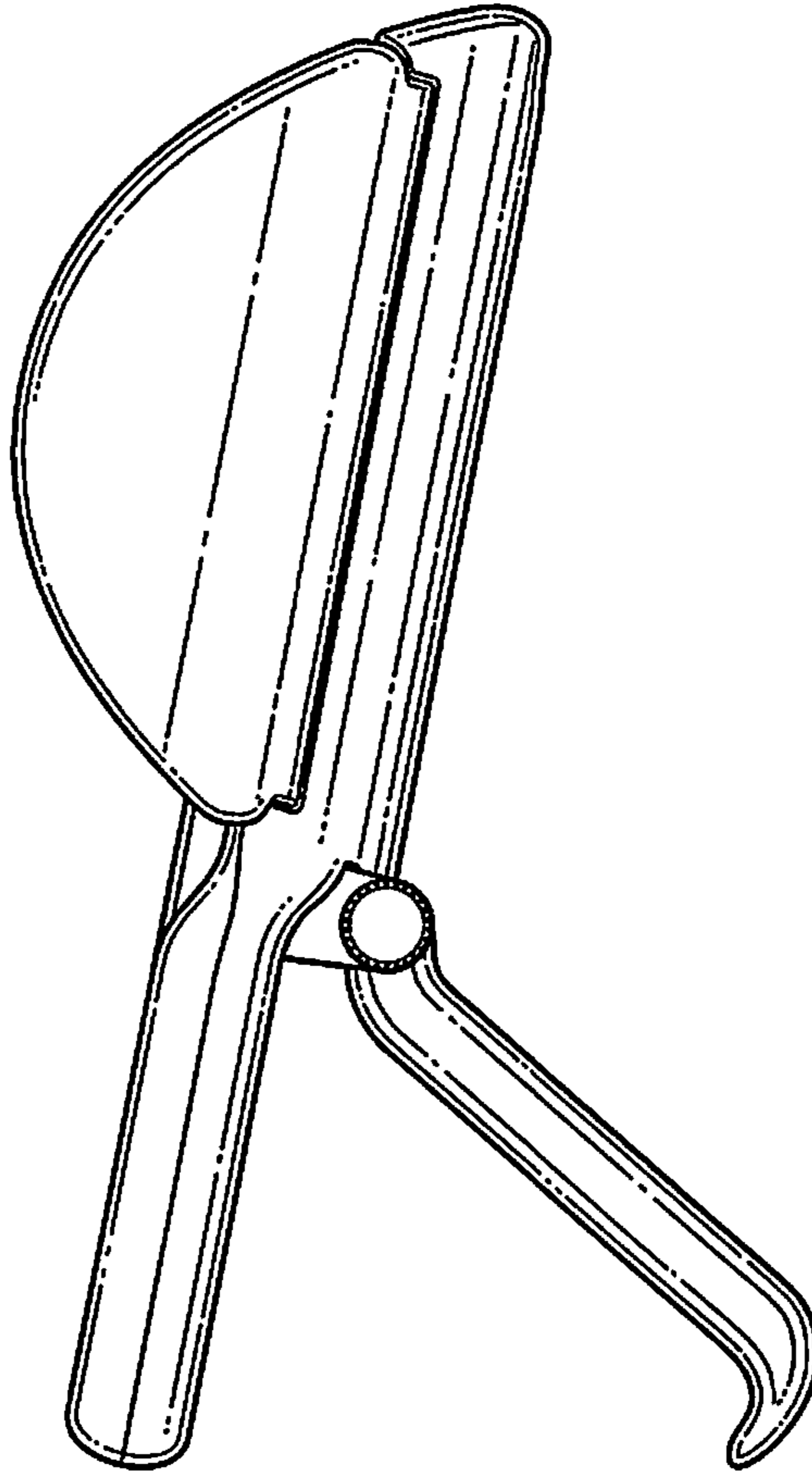


FIG. 12

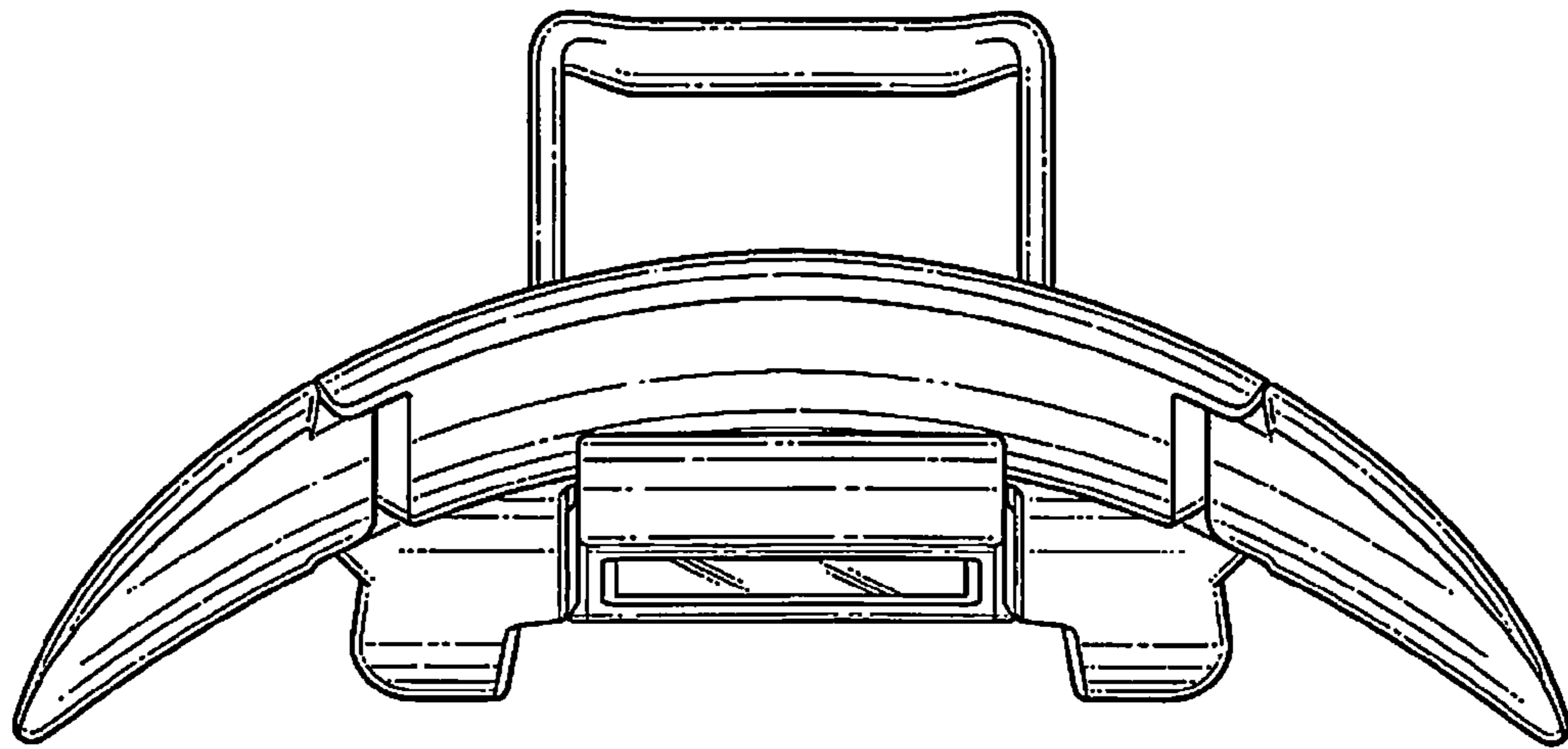


FIG. 13

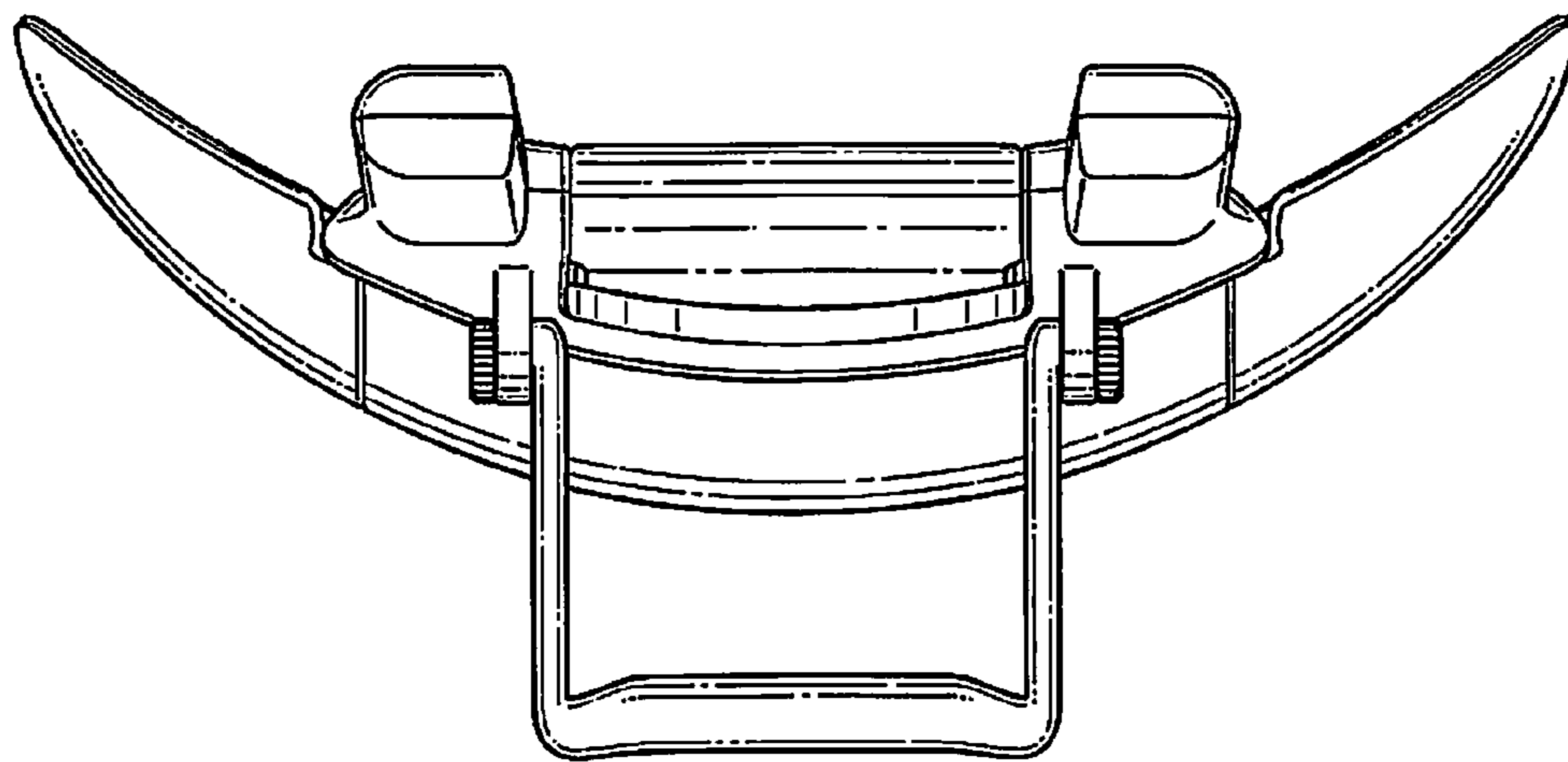


FIG. 14

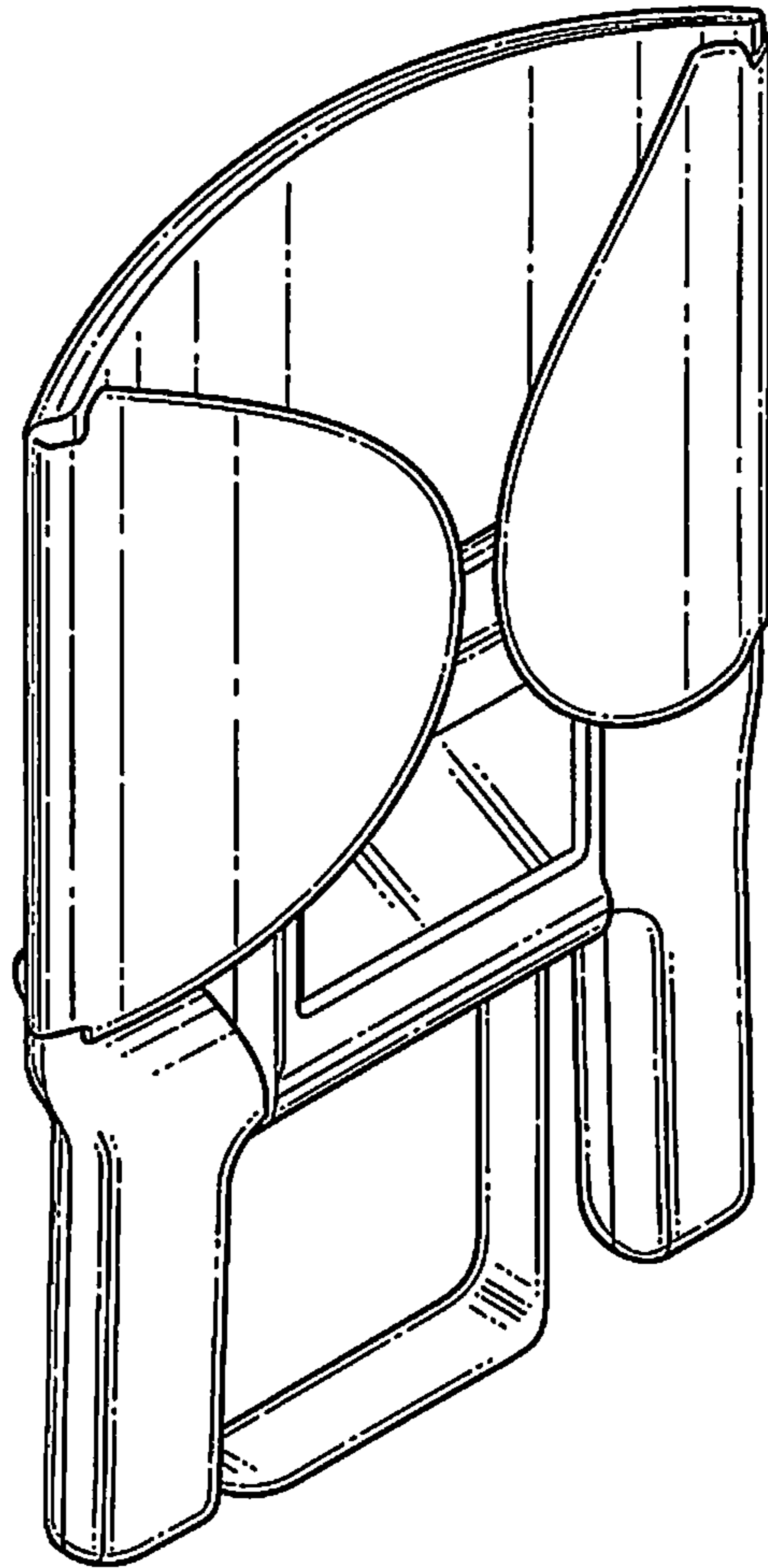


FIG. 15

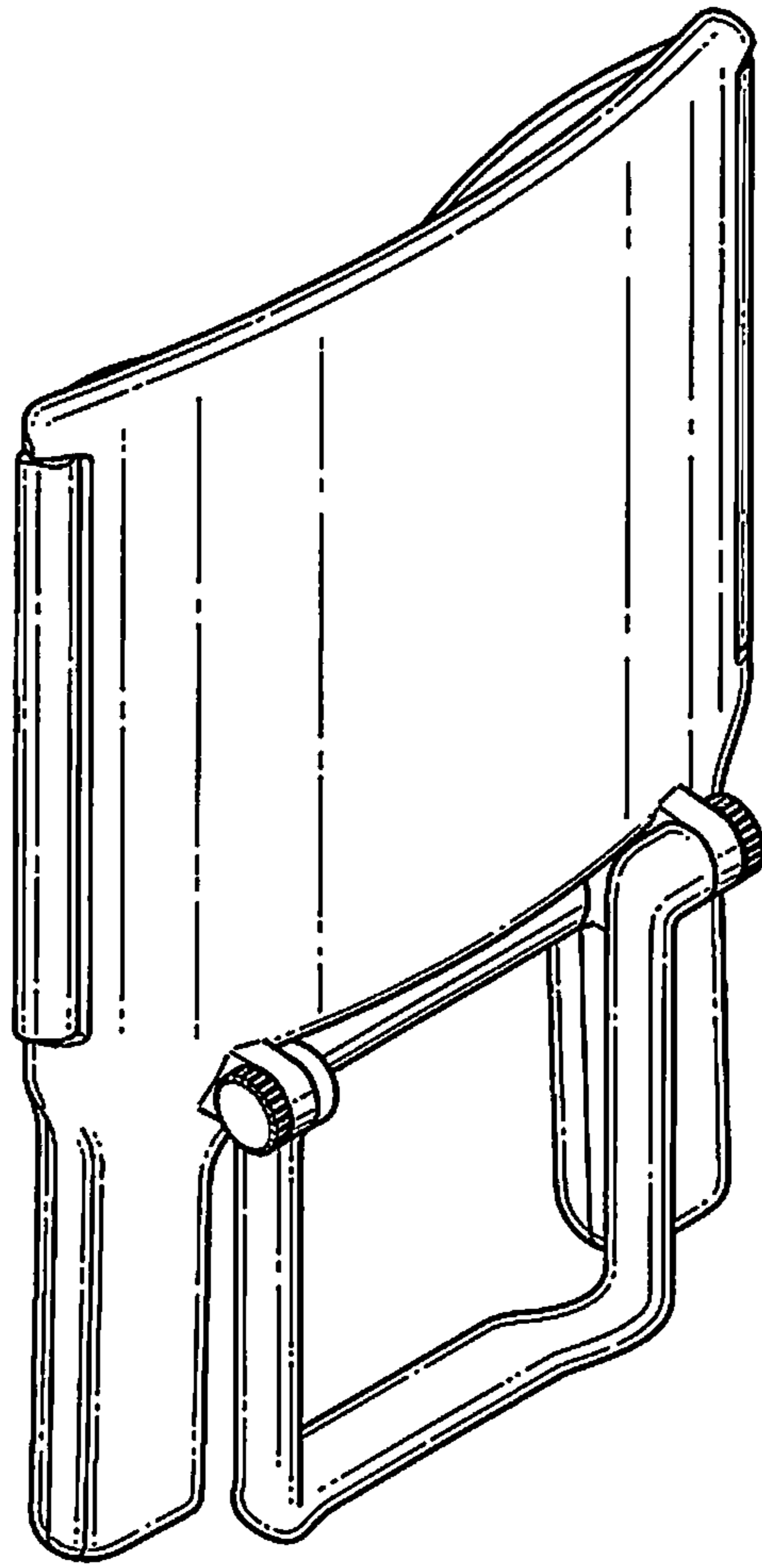


FIG. 16