

US00D734466S

(12) **United States Design Patent**
Kimron

(10) **Patent No.:** **US D734,466 S**

(45) **Date of Patent:** **** Jul. 14, 2015**

(54) **DENTAL IMPLANT**
(71) Applicant: **Daniela Kimron**, Cooper City, FL (US)
(72) Inventor: **Daniela Kimron**, Cooper City, FL (US)
(**) Term: **14 Years**

(21) Appl. No.: **29/487,751**
(22) Filed: **Apr. 11, 2014**
(51) **LOC (10) Cl.** **24-02**
(52) **U.S. Cl.**
USPC **D24/156**
(58) **Field of Classification Search**
USPC D24/155–156, 176; D8/387; D15/21,
D15/28; 433/172–174; 623/17.16, 17.17,
623/11.11, 23.26, 23.27; 606/304, 74
CPC .. A61C 8/0089; A61C 8/0069; A61C 8/0054;
A61C 8/00; A61C 8/0096; A61C 8/0039;
A61C 8/0063; A61C 8/006; A61C 8/0001;
A61C 8/0012; A61C 8/0075; A61C 13/225
See application file for complete search history.

7,905,905 B2 * 3/2011 Cragg et al. 606/246
D665,910 S * 8/2012 Hung D24/156
D666,295 S * 8/2012 Hung D24/156
D668,764 S * 10/2012 Lussi et al. D24/156
D689,610 S * 9/2013 Dukhan D24/156

* cited by examiner

Primary Examiner — Ian Simmons
Assistant Examiner — Charles Hanson
(74) *Attorney, Agent, or Firm* — Guy Levi; Blue Filament
Law, PLLC

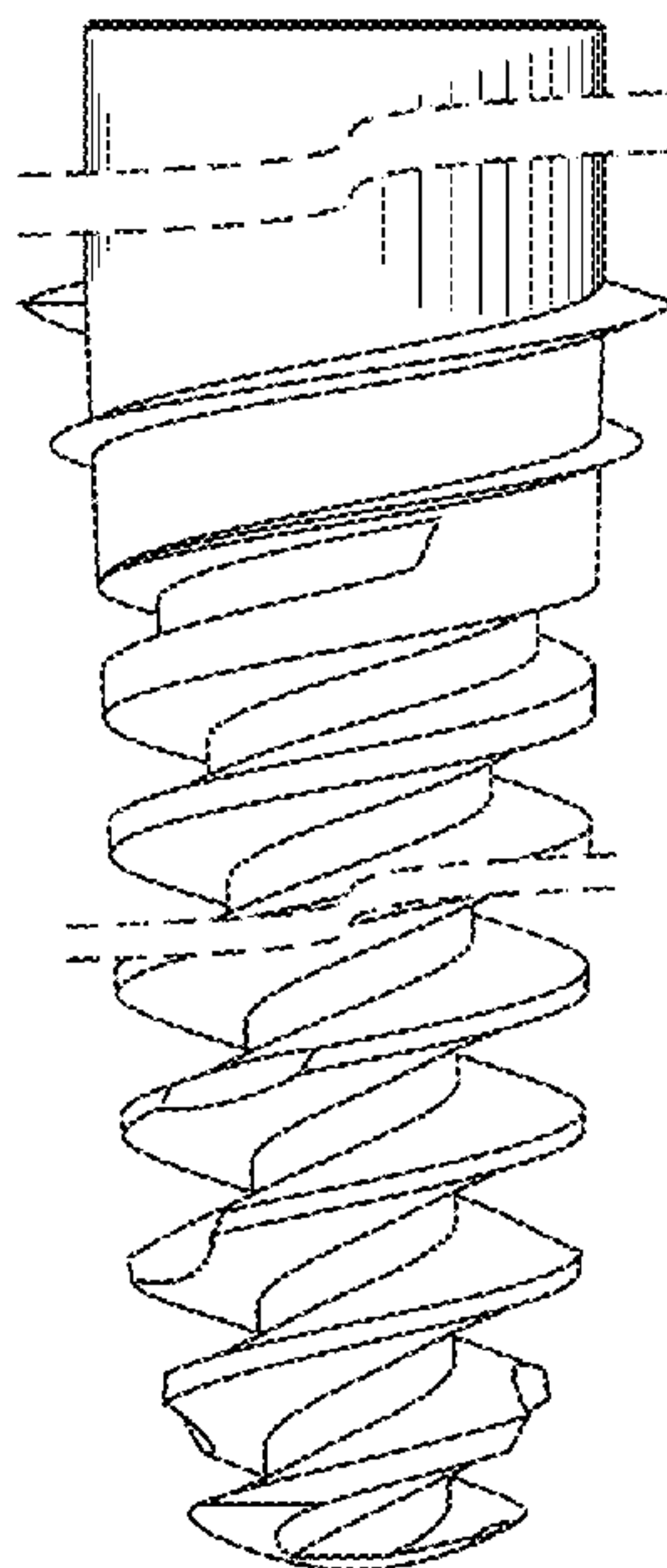
(57) **CLAIM**
The ornamental design for a dental implant, as shown and
described.

DESCRIPTION

FIG. 1 shows a top perspective view of the dental implant
illustrating my new design;
FIG. 2 shows a bottom perspective view thereof;
FIG. 3 shows a front elevational view thereof;
FIG. 4 shows a side elevational view thereof;
FIG. 5 shows a top plan view thereof; and,
FIG. 6 shows bottom plan view thereof.
The broken lines showing in FIGS. 2, and 5 of the driver tool
socket and border lines, is for illustrative purposes only and
forms no part of the claimed design.
Vertical surface shading lines on the claimed portion are
provided only to indicate the character and/or any contour or
curvature of the surfaces.
It is understood that the “indeterminate” portion of the dental
implant delineated by the dashed break lines, forms no part of
the claimed design. Patentability is based only on those por-
tions of the article shown in solid lines.

(56) **References Cited**
U.S. PATENT DOCUMENTS
D565,181 S * 3/2008 Anitua Aldecoa D24/156
D577,122 S * 9/2008 Aldecoa D24/156
D583,945 S * 12/2008 Anitua Aldecoa D24/156
D588,699 S * 3/2009 Aldecoa D24/156
D588,700 S * 3/2009 Anitua Aldecoa D24/156
D603,512 S * 11/2009 Emanuelli D24/156
D603,513 S * 11/2009 Emanuelli D24/156
D603,514 S * 11/2009 Emanuelli D24/156
D604,851 S * 11/2009 Ishikawa D24/156
D605,291 S * 12/2009 Ishikawa D24/156

1 Claim, 4 Drawing Sheets



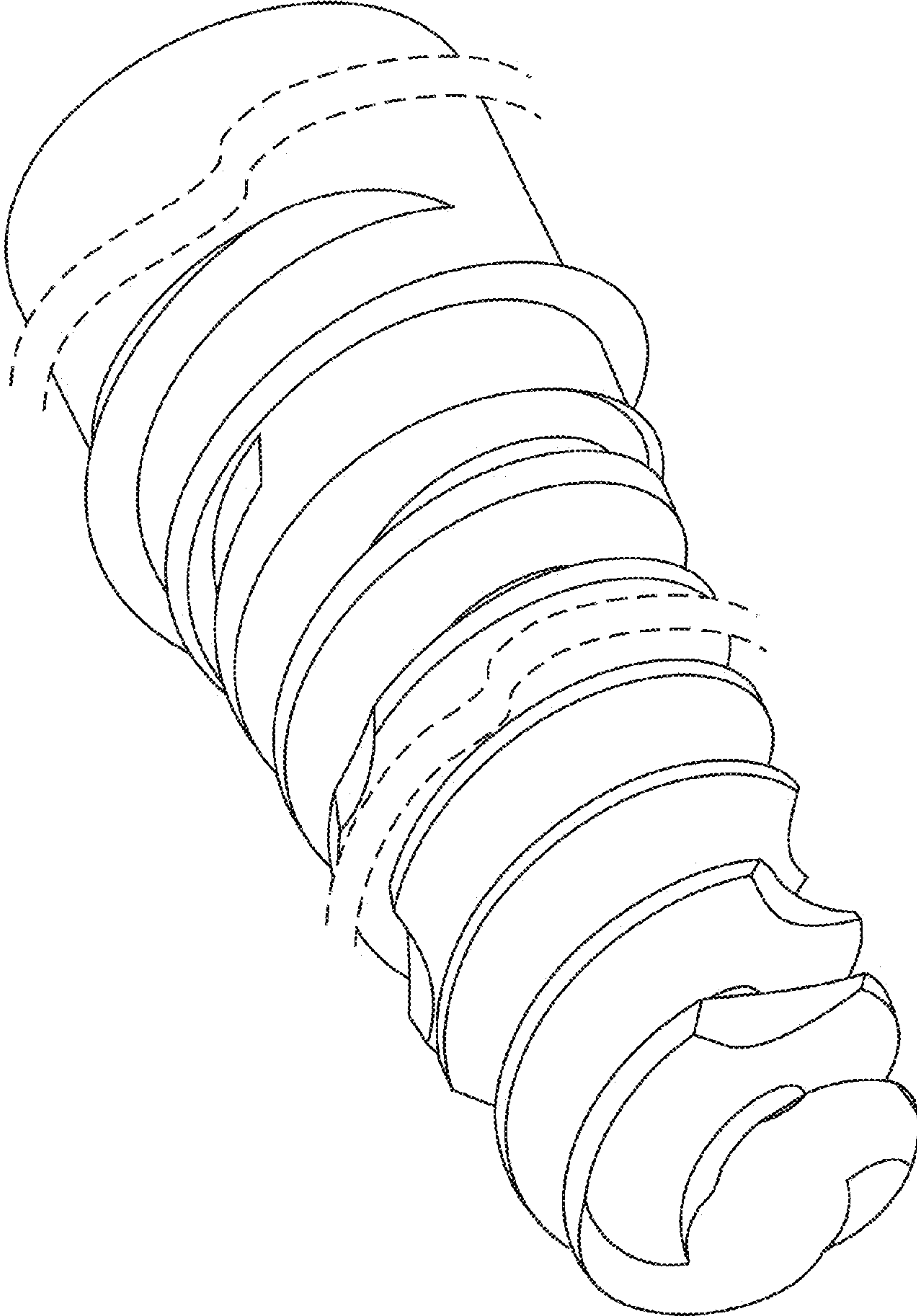


FIGURE 1

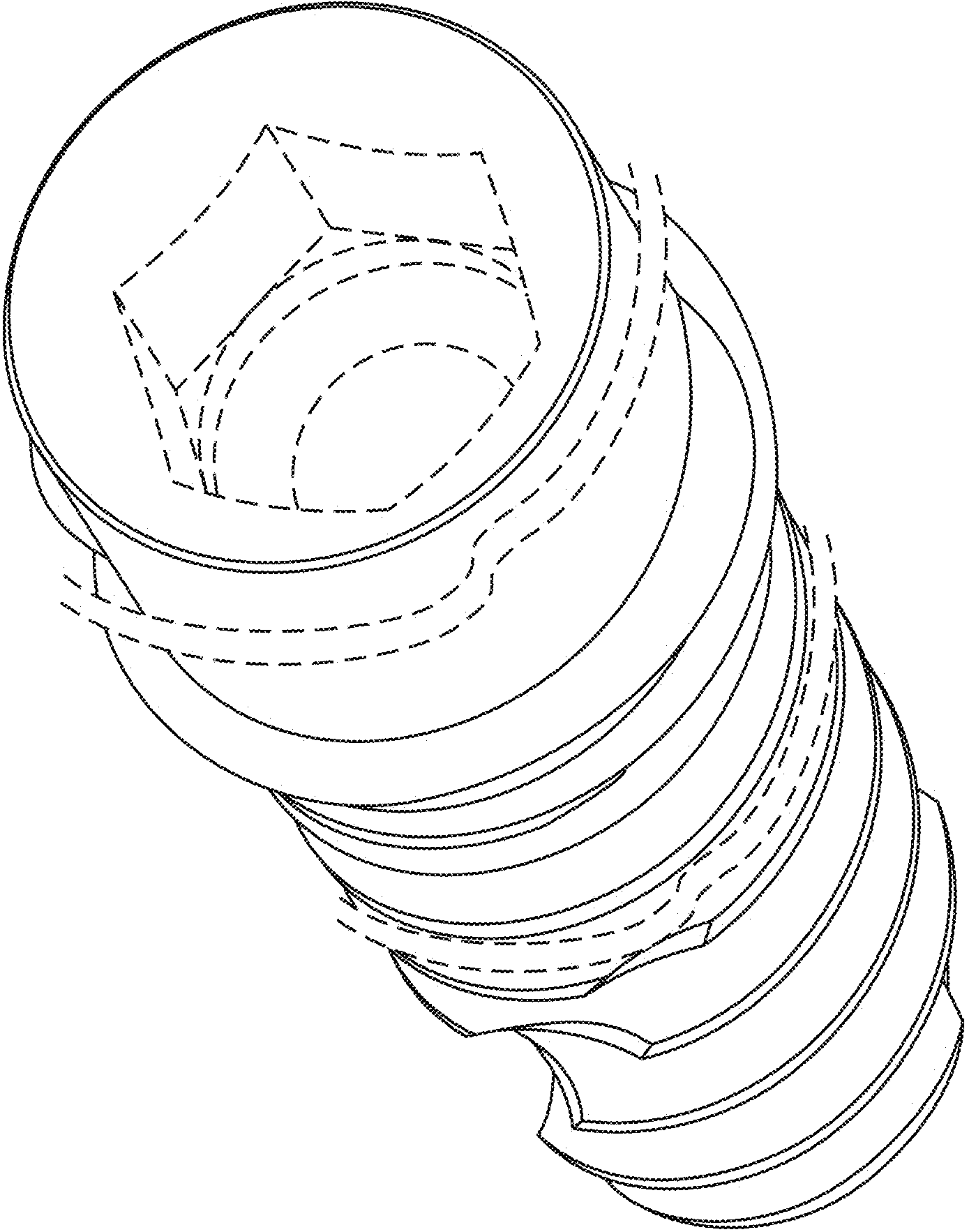


FIGURE 2

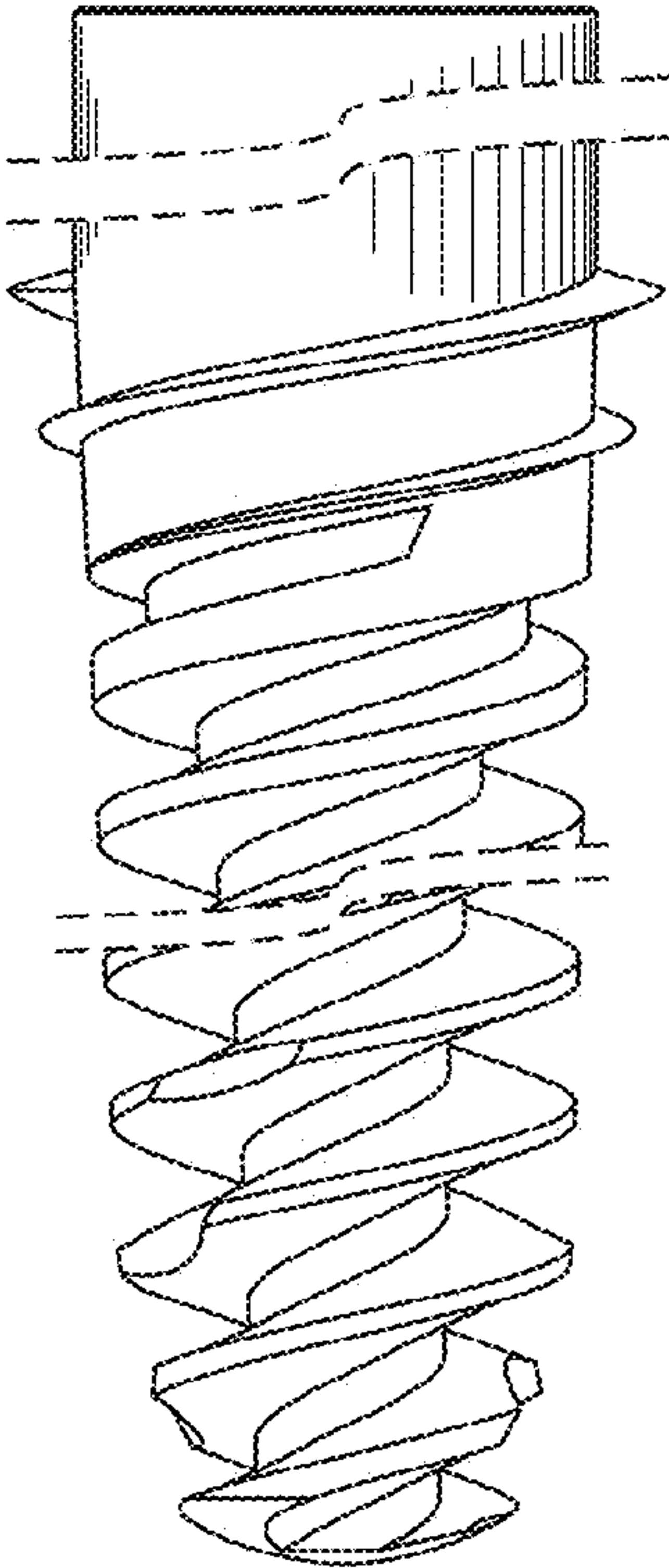


FIGURE 3

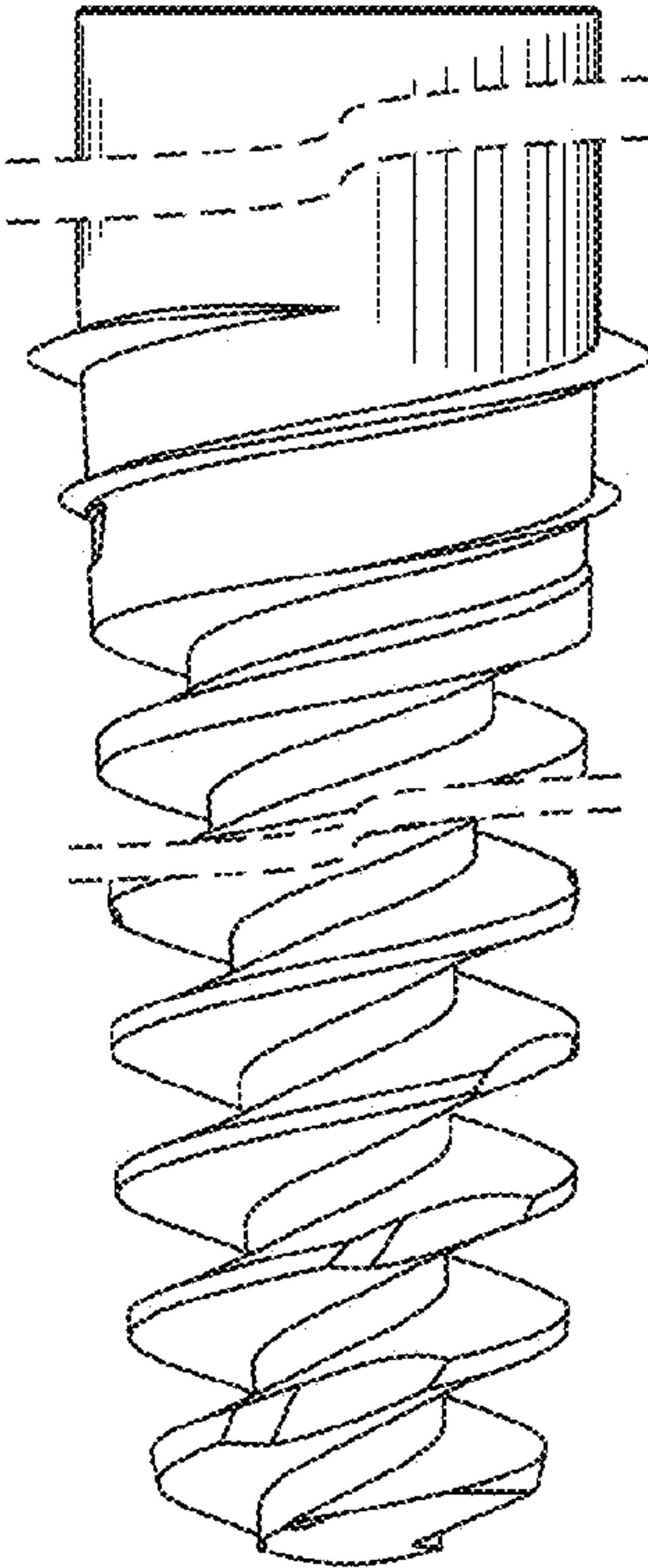


FIGURE 4

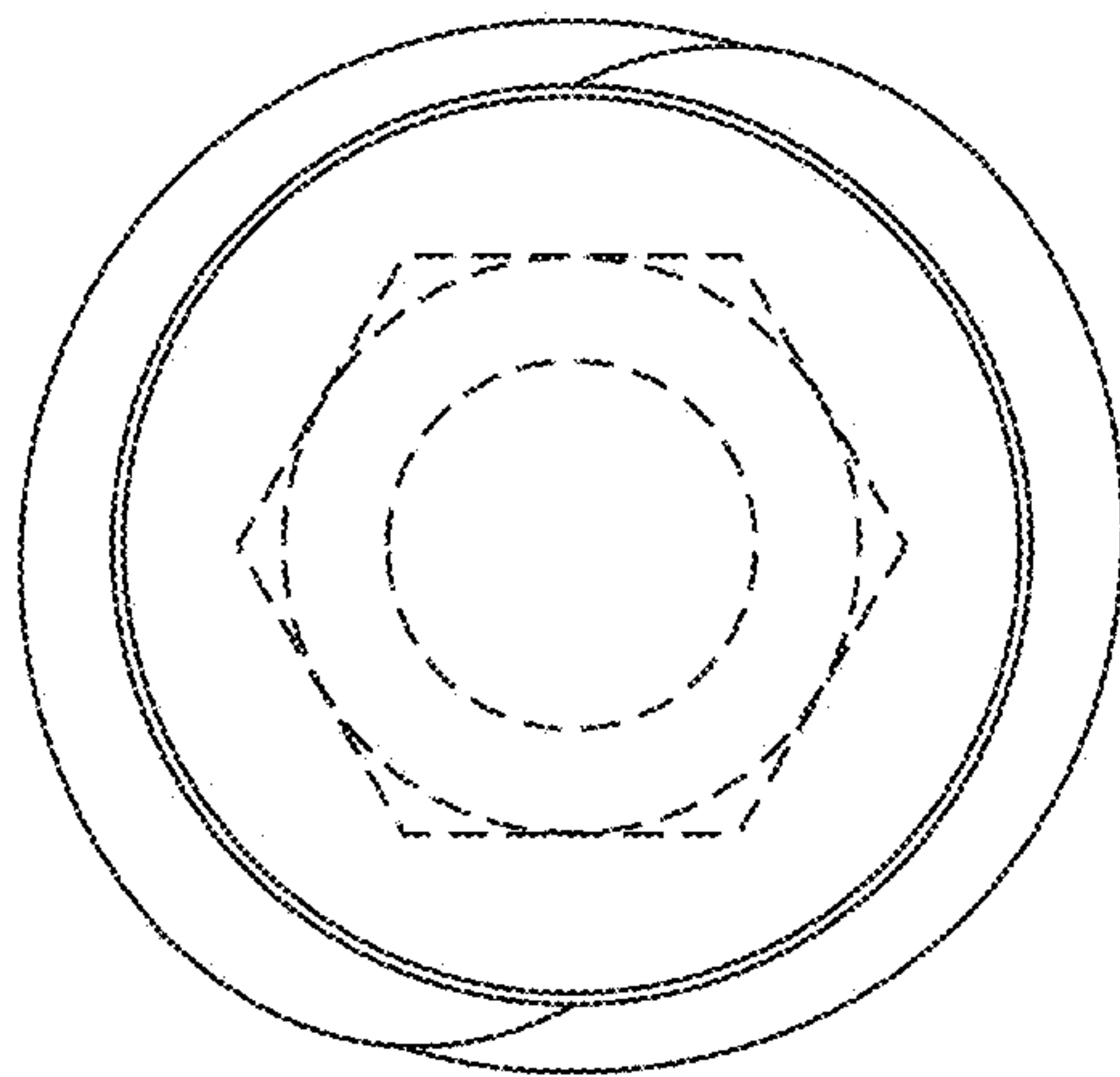


FIGURE 5

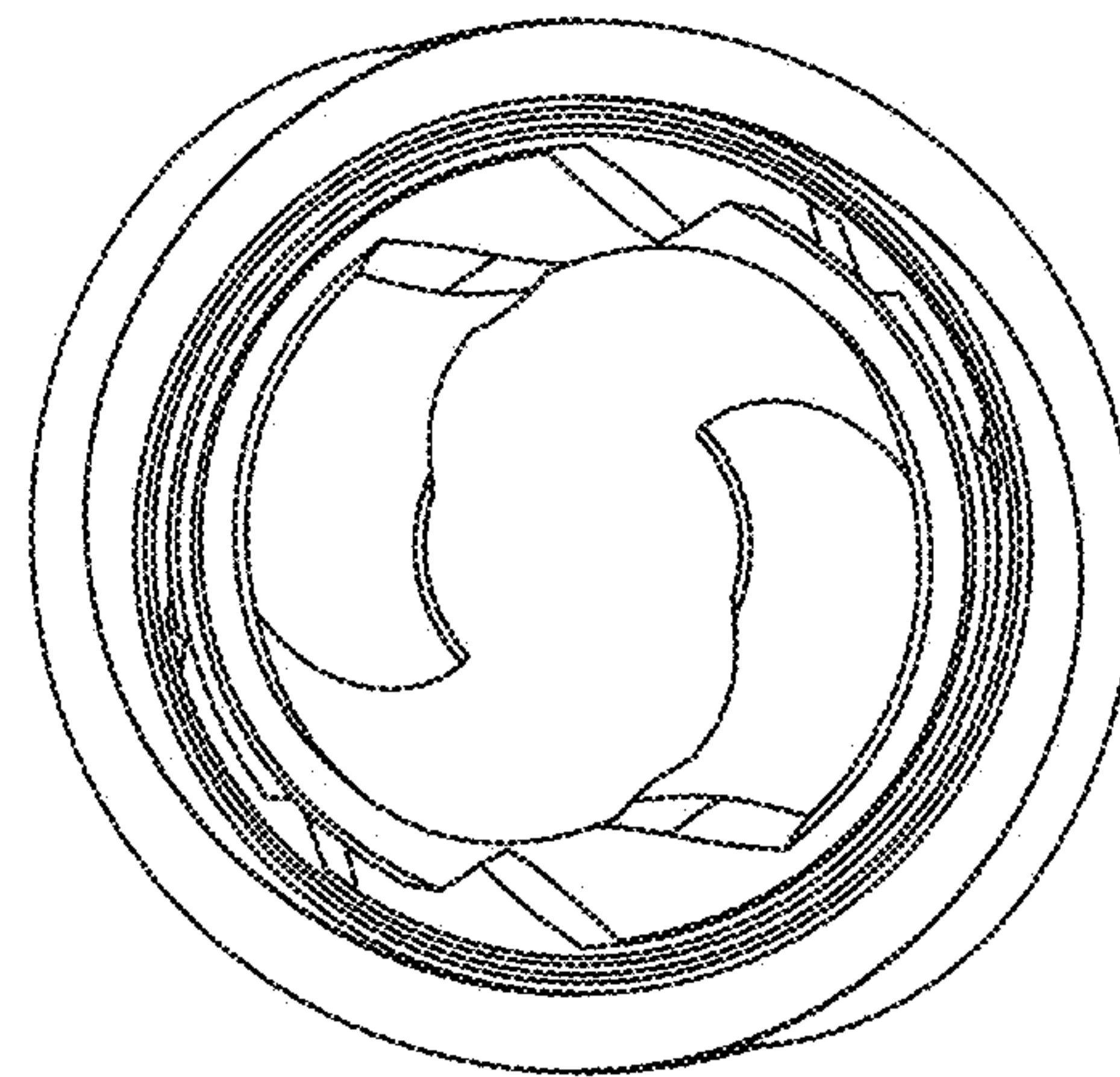


FIGURE 6