



US00D734465S

(12) **United States Design Patent**
Casement et al.

(10) **Patent No.:** **US D734,465 S**
(45) **Date of Patent:** **** Jul. 14, 2015**

(54) **PROVISIONAL DENTAL IMPLANT**

5,951,294 A	9/1999	Pierson	
6,024,567 A *	2/2000	Callan	433/173
6,174,167 B1	1/2001	Wohrle	
6,190,171 B1	2/2001	Hajjar et al.	
6,431,867 B1	8/2002	Gittelsohn et al.	
6,663,387 B2	12/2003	Riley	
D486,914 S *	2/2004	Schulter et al.	D24/156
6,746,244 B2	6/2004	Riley et al.	
6,884,073 B2	4/2005	Chilibeck	

(71) Applicant: **Provisional Implant Technology LLC**,
Denver, CO (US)

(72) Inventors: **Russell Casement**, Parker, CO (US);
Kelley Casement, Denver, CO (US);
Ricardo Gapski, Parana (BR)

(73) Assignee: **Provisional Implant Technology LLC**,
Denver, CO (US)

(**) Term: **14 Years**

DM	077057	9/2011
EP	0803232	10/1997
WO	WO 02/069834	9/2002

(21) Appl. No.: **29/471,534**

(22) Filed: **Nov. 1, 2013**

(51) **LOC (10) Cl.** **24-02**

(52) **U.S. Cl.**
USPC **D24/156**

(58) **Field of Classification Search**
USPC D24/155, 156; D8/387; D21/386
CPC .. A61C 8/0089; A61C 8/0069; A61C 8/0054;
A61C 8/00; A61C 8/0096; A61C 8/0039;
A61C 8/0063; A61C 8/0075; A61C 13/225;
A61C 2008/0084

See application file for complete search history.

(56) **References Cited**

U.S. PATENT DOCUMENTS

4,015,332 A	4/1977	Manne	
4,203,515 A	5/1980	Kahn et al.	
4,993,950 A	2/1991	Mensor, Jr.	
5,006,069 A	4/1991	Lazzara et al.	
5,040,983 A	8/1991	Binon	
5,120,223 A	6/1992	Weissman	
5,123,842 A	6/1992	Roberts	
5,180,303 A	1/1993	Hornburg et al.	
D362,720 S *	9/1995	Holmen et al.	D24/155
5,458,489 A	10/1995	Tennyson	
5,599,185 A	2/1997	Greenberg	
5,779,480 A *	7/1998	Groll et al.	433/173

FOREIGN PATENT DOCUMENTS

OTHER PUBLICATIONS

Powers, JM, and RL Sakaguchi. *Craig's Restorative Dental Materials*, 12th Edition, © 2006, Elsevier, Inc., pp. 190-197,518-525,443-462,466-468.

(Continued)

Primary Examiner — Ian Simmons
Assistant Examiner — Charles Hanson
(74) *Attorney, Agent, or Firm* — Sheridan Ross P.C.

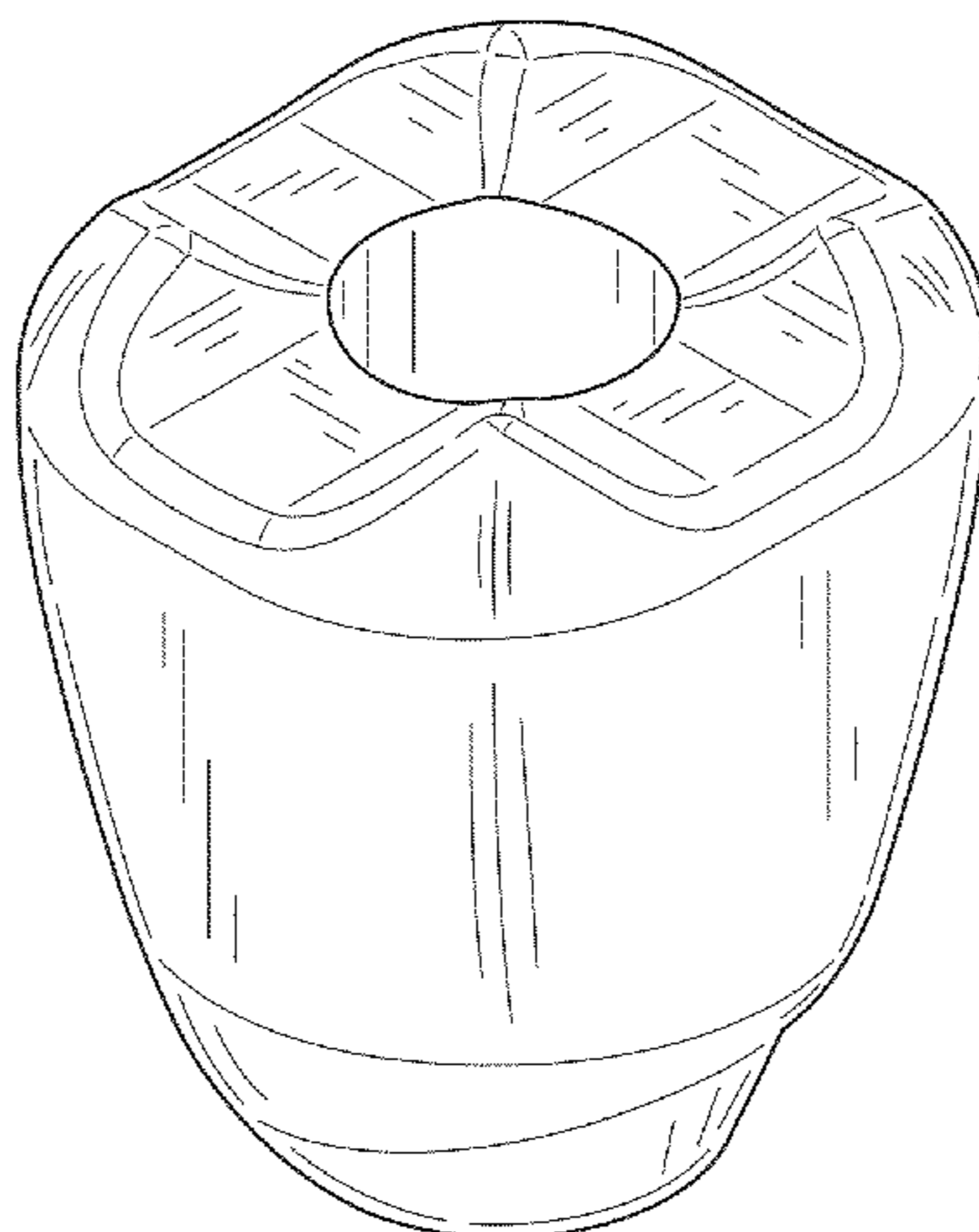
(57) **CLAIM**

The ornamental design for a provisional dental implant, as shown and described.

DESCRIPTION

FIG. 1 is a perspective view of the provisional dental implant showing the new design;
FIG. 2 is a front elevation view thereof;
FIG. 3 is a rear elevation view thereof;
FIG. 4 is a left elevation view thereof;
FIG. 5 is a right elevation view thereof;
FIG. 6 is a top plan view thereof; and,
FIG. 7 is a bottom plan view thereof.

1 Claim, 4 Drawing Sheets



(56)

References Cited

U.S. PATENT DOCUMENTS

6,887,077	B2	5/2005	Porter et al.	
6,935,862	B2	8/2005	Harlan	
D567,947	S *	4/2008	Lerner et al.	D24/156
D580,059	S *	11/2008	Boettcher	D24/156
D587,371	S *	2/2009	Purga et al.	D24/156
D587,373	S *	2/2009	Purga et al.	D24/156
D659,829	S *	5/2012	Nihei et al.	D24/156
D663,032	S *	7/2012	Mashio et al.	D24/156
D663,419	S *	7/2012	Mashio et al.	D24/156
2002/0004189	A1	1/2002	Hurson	
2002/0039718	A1	4/2002	Kwan	
2005/0084821	A1	4/2005	Sims et al.	
2006/0183078	A1	8/2006	Niznick	
2006/0188844	A1	8/2006	Dadi	
2007/0031792	A1	2/2007	Casement et al.	
2007/0031793	A1	2/2007	Casement et al.	
2008/0020343	A1	1/2008	Mount	
2008/0261177	A1 *	10/2008	Ford et al.	433/174
2010/0227294	A1 *	9/2010	Takagi et al.	433/174

OTHER PUBLICATIONS

McCabe, JF and AWG Walls. Applied Dental Materials, 8th Edition, © 1998, Blackwell Science Ltd., pp. 77-86, 93-95, 169-173.
 Craig, RG, Powers, JM and JC Wataha. Dental Materials Properties and Manipulation, 8th edition, © 2004, Mosby, Inc., pp. 263-278, 286-291, 296-305.
 O'Brien, WJ, Dental Materials and Their Selection, 2nd Edition, © 1997, Quintessence Publishing Co, Inc., pp. 51-77, 123-146, 147-150, 151-174, 215-223.
 Dentsply Ceramco, Firing Guidelines for Ceramco Products. © Mar. 2006, 7 sheets.
 Dynalab Group, Plastic Properties of Polymethylmethacrylate (Acrylic).
 Amresco, Inc, Product Detail Acryl/Bis 19:1.
 Amresco, Inc, Product Detail Acrylamide.

San Diego Plastics, Inc, Polycarbonate (Makrolon®, Lexan®, Zelux®).
 GE Plastics, DataSheets Lexan Resins, All Series.
 Official Action for U.S. Appl. No. 11/401,763 mailed Sep. 16, 2008, 16 pages.
 Official Action for U.S. Appl. No. 11/401,763 mailed Mar. 27, 2009, 10 pages.
 Official Action for U.S. Appl. No. 11/401,763 mailed Sep. 14, 2009, 8 pages.
 Official Action for U.S. Appl. No. 11/401,763 mailed May 18, 2010, 8 pages.
 Official Action for U.S. Appl. No. 11/401,763 mailed Oct. 4, 2011, 12 pages.
 Official Action for U.S. Appl. No. 11/197,743 mailed Jul. 5, 2006, 8 pages.
 Official Action for U.S. Appl. No. 11/197,743 mailed Dec. 21, 2006, 8 pages.
 Official Action for U.S. Appl. No. 11/197,743 mailed May 4, 2007, 6 pages.
 Official Action for U.S. Appl. No. 11/197,743 mailed Aug. 31, 2007, 7 pages.
 Official Action for U.S. Appl. No. 11/197,743 mailed Jan. 23, 2008, 8 pages.
 Official Action for U.S. Appl. No. 11/197,743 mailed May 22, 2008, 9 pages.
 Official Action for U.S. Appl. No. 11/197,743 mailed Feb. 27, 2009, 8 pages.
 Official Action for U.S. Appl. No. 11/197,743 mailed Sep. 9, 2009, 8 pages.
 Official Action for U.S. Appl. No. 11/197,743 mailed Jun. 18, 2010, 9 pages.
 Official Action for U.S. Appl. No. 11/197,743 mailed Aug. 15, 2012, 11 pages.
 Official Action for U.S. Appl. No. 11/197,743 mailed Jul. 30, 2013, 12 pages.
 Official Action for U.S. Appl. No. 11/197,743 mailed Feb. 11, 2014, 9 pages.

* cited by examiner

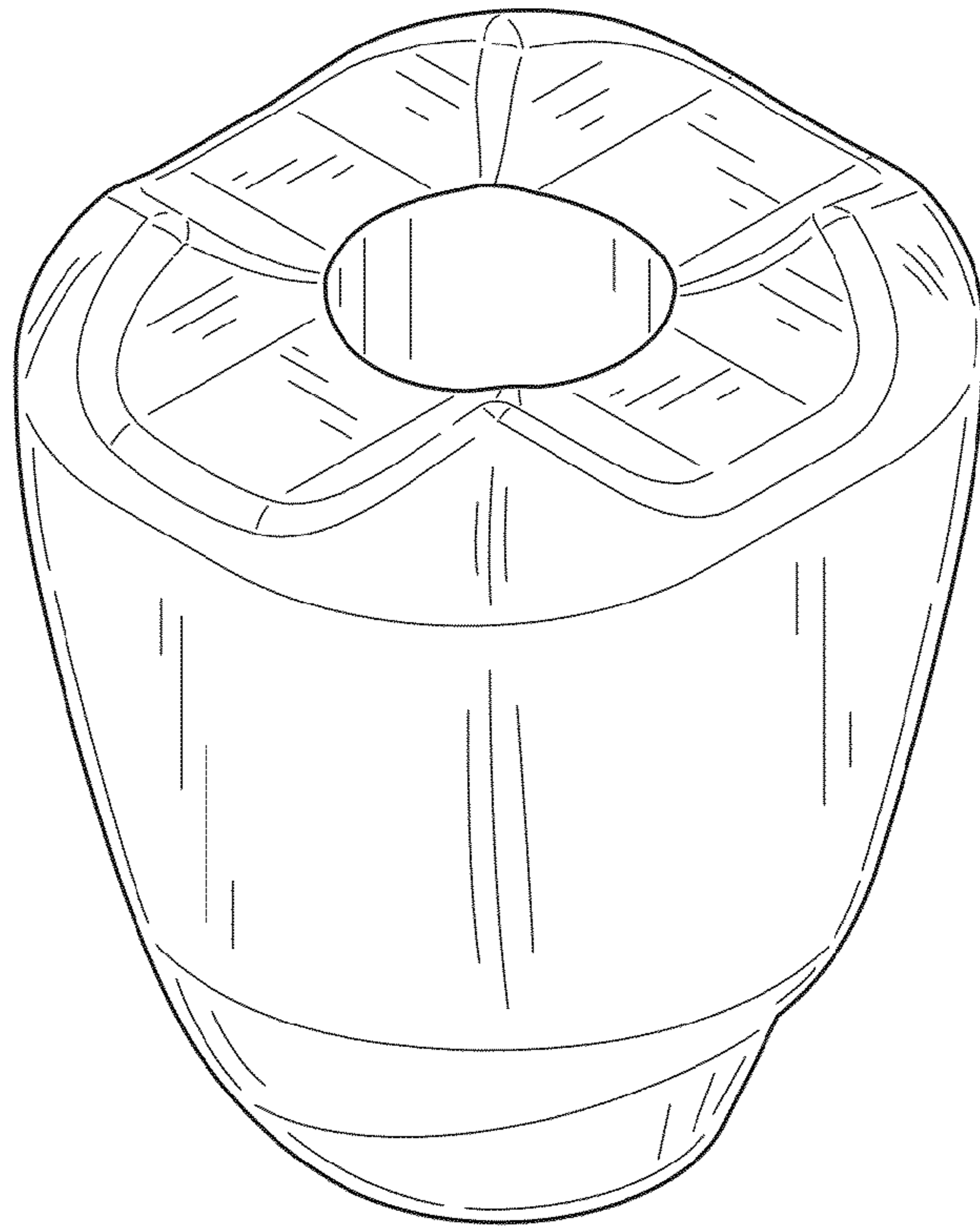


FIG.1

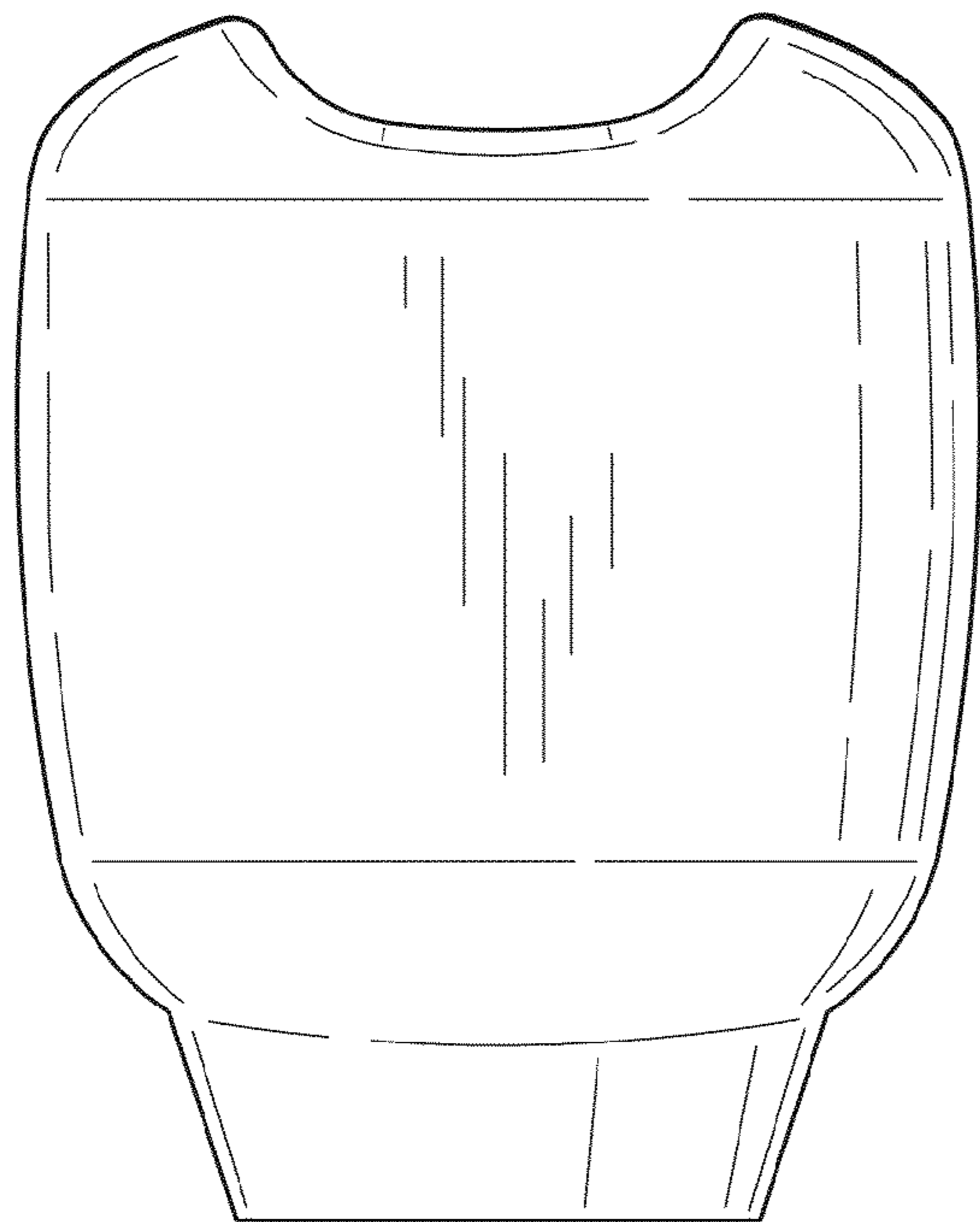


FIG.2

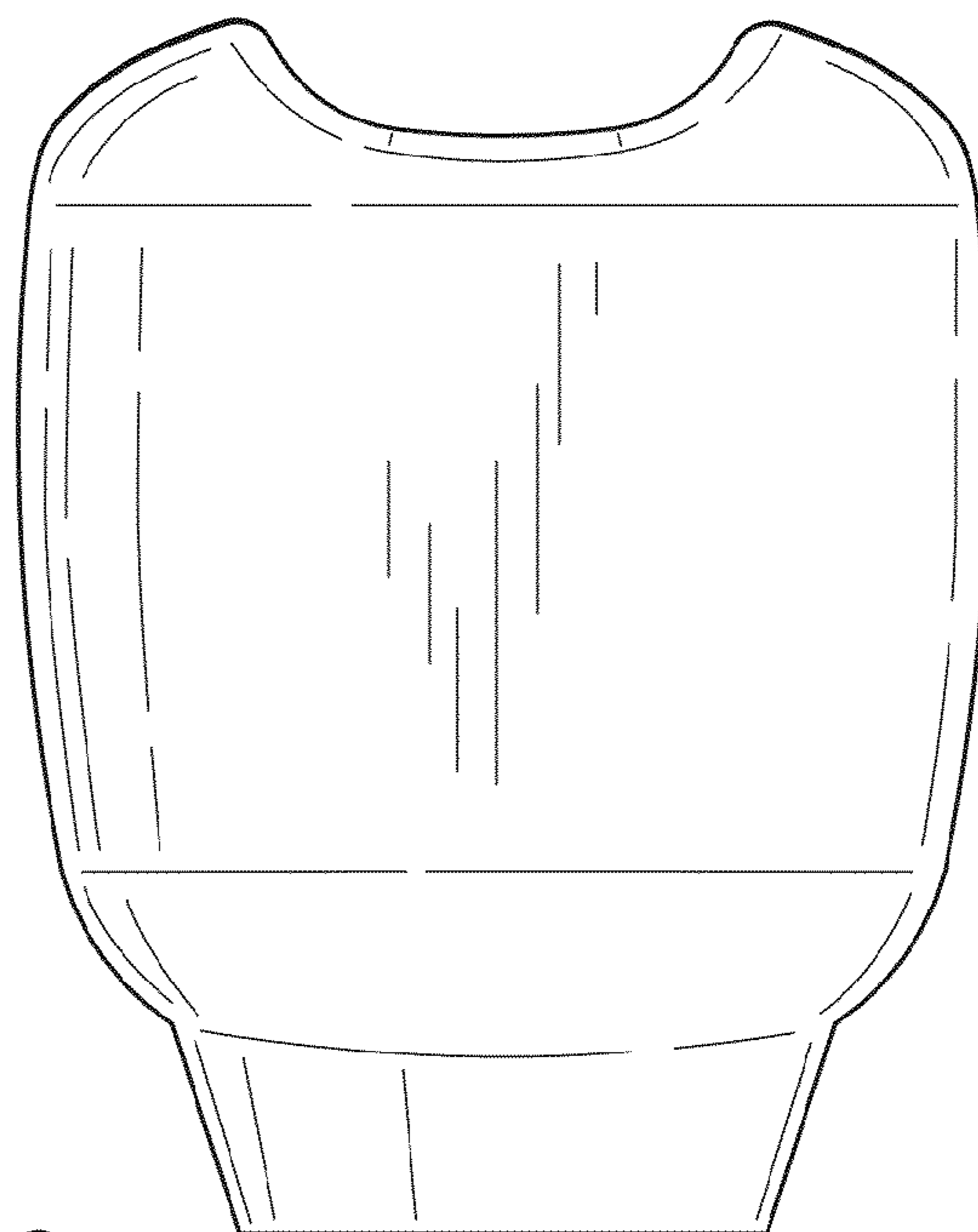


FIG.3

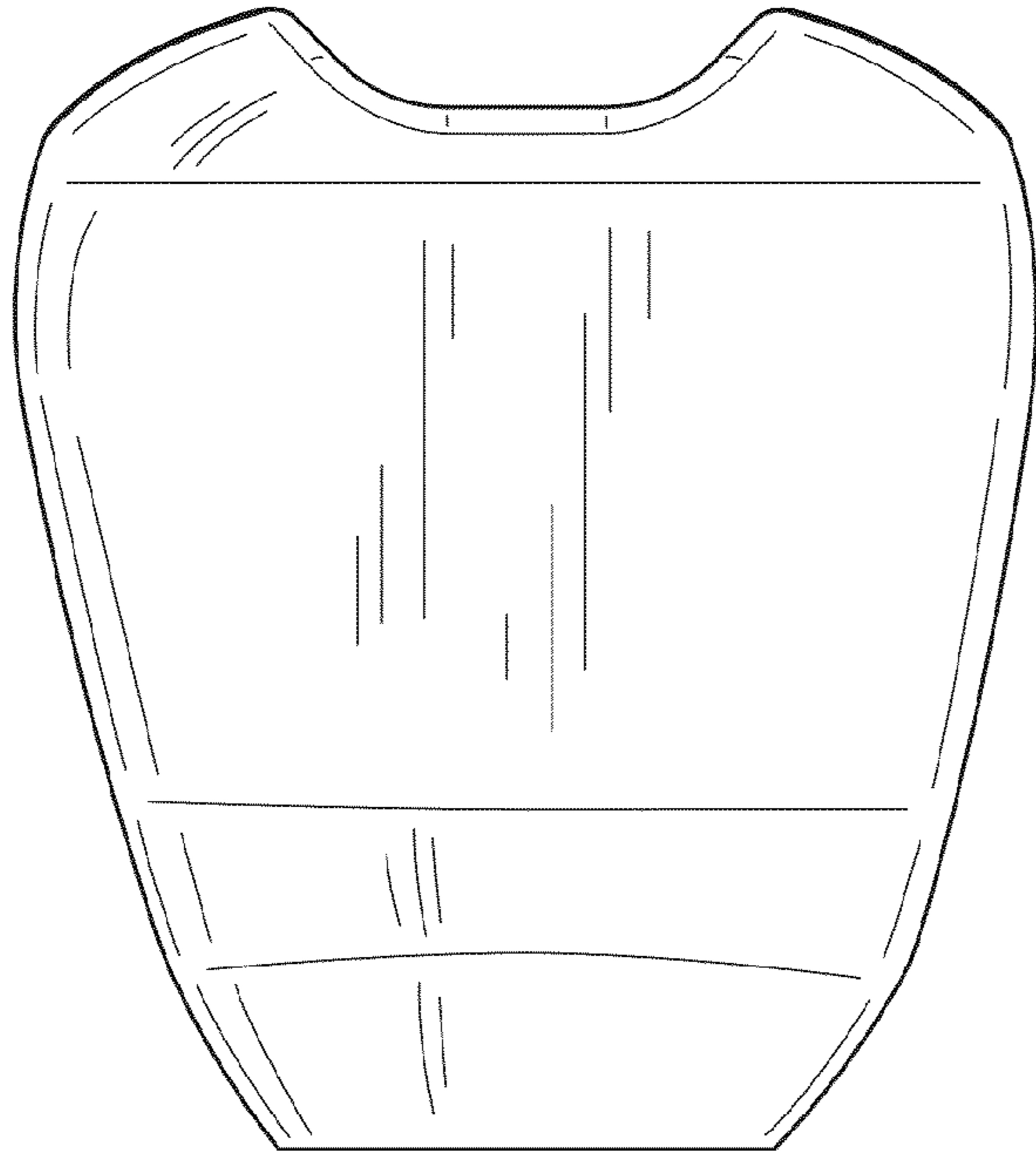


FIG.4

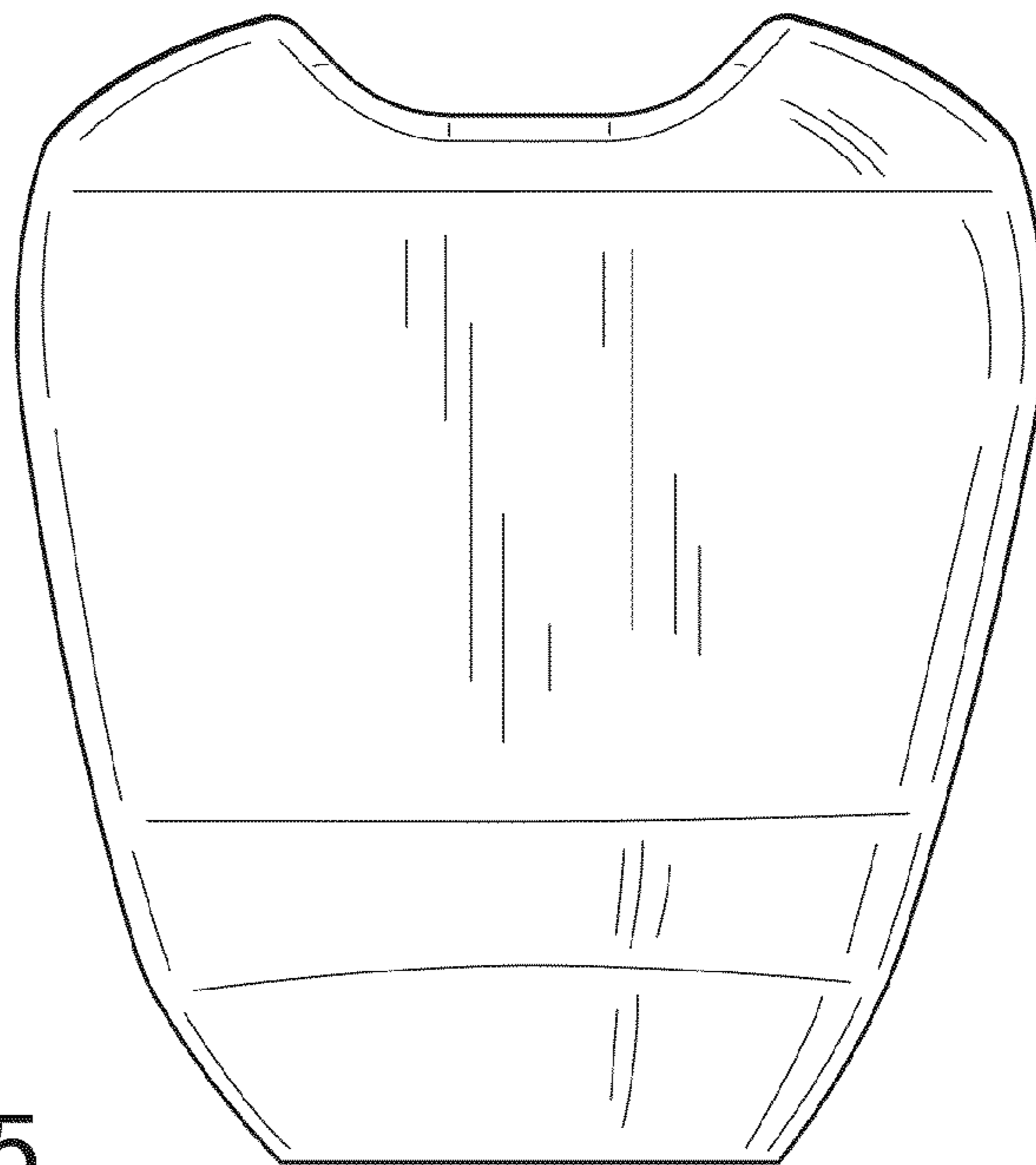


FIG.5

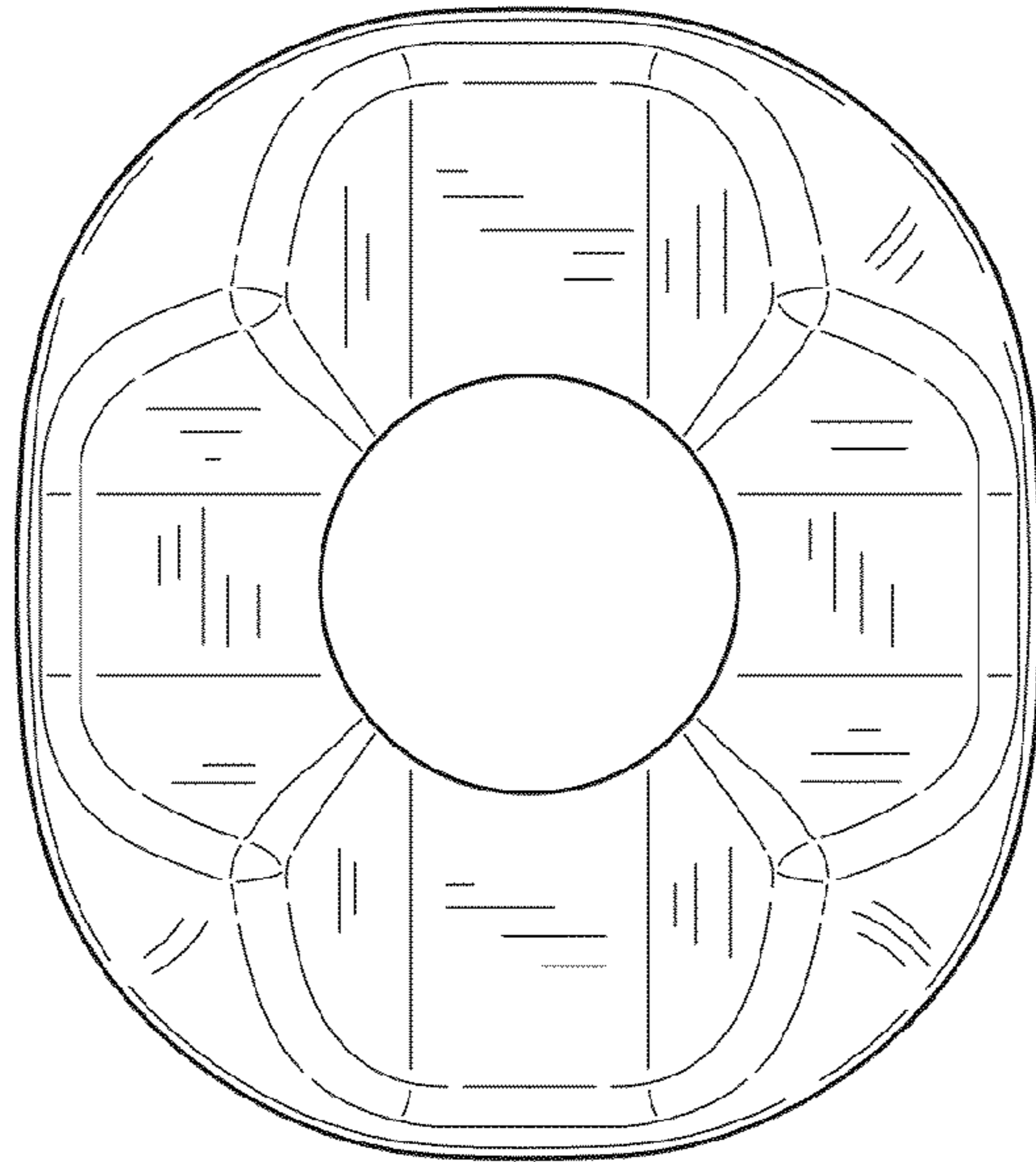


FIG.6

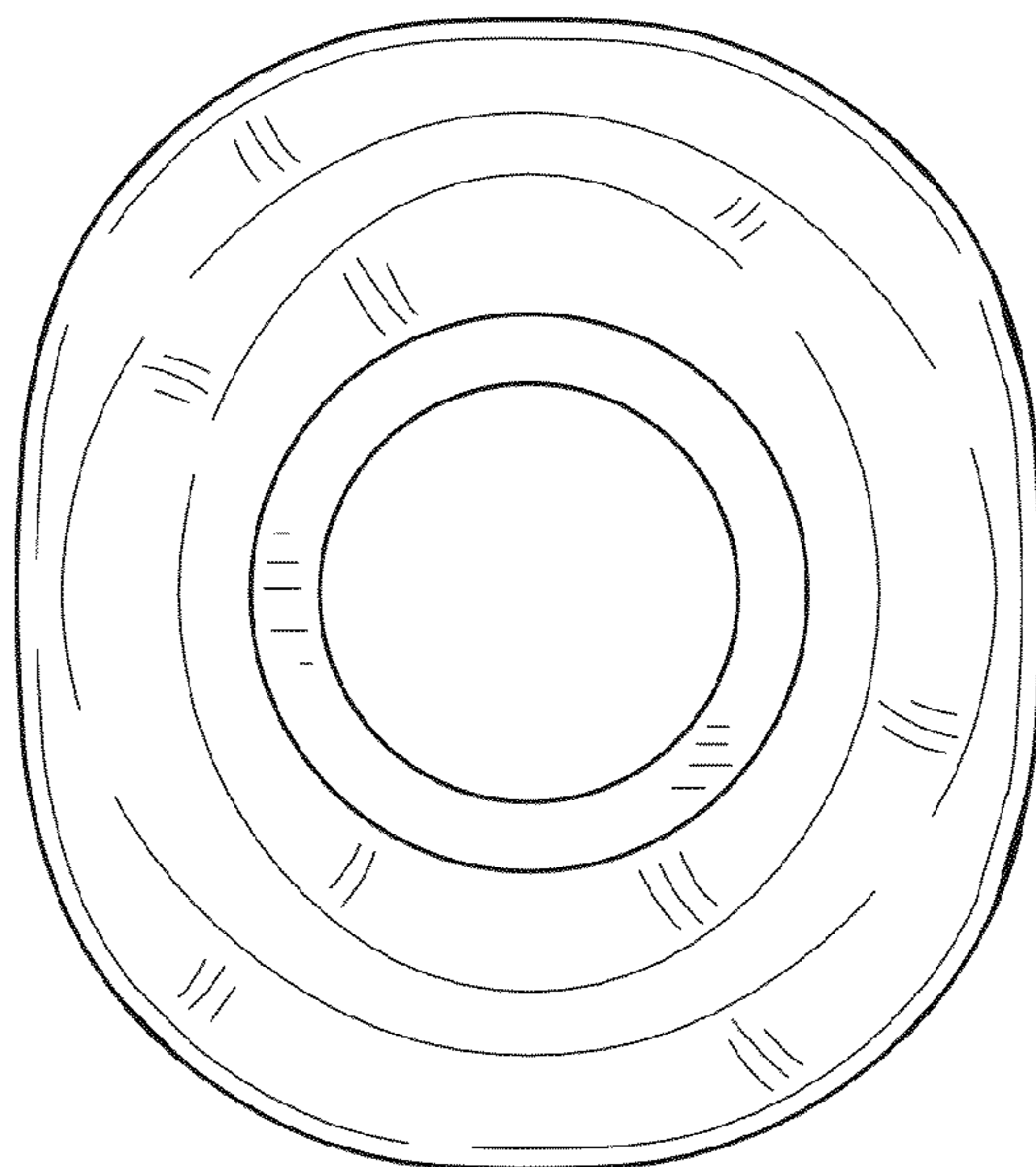


FIG.7