



US00D734463S

(12) **United States Design Patent**
Fregoso et al.

(10) **Patent No.:** **US D734,463 S**
(45) **Date of Patent:** **** Jul. 14, 2015**

(54) **SINGLE VENT DIRECTIONAL REAMER TIP**

D378,780 S * 4/1997 Shuler D24/146
D532,109 S * 11/2006 Carroll D24/152
8,113,833 B2 * 2/2012 Courvoisier 433/165

(71) Applicant: **American Eagle Instruments, Inc.**,
Missoula, MT (US)

* cited by examiner

(72) Inventors: **Gilbert Fregoso**, Missoula, MT (US);
Yuval Charles Avniel, Missoula, MT
(US)

Primary Examiner — Wan Laymon

(74) *Attorney, Agent, or Firm* — Heslin Rothenberg Farley
& Mesiti P.C.

(73) Assignee: **American Eagle Instruments, Inc.**,
Missoula, MT (US)

(**) Term: **14 Years**

(57) **CLAIM**

The ornamental design for a single vent directional reamer tip, as shown and described.

(21) Appl. No.: **29/483,576**

(22) Filed: **Feb. 28, 2014**

DESCRIPTION

(51) **LOC (10) Cl.** **24-02**

(52) **U.S. Cl.**
USPC **D24/152**

(58) **Field of Classification Search**
USPC D24/152, 155–156, 176, 127, 133, 147,
D24/146; D8/86; D15/132, 138–139;
433/172–174, 3, 50, 53, 82, 114, 141,
433/165–166; 606/80, 96, 98; 408/209, 225
See application file for complete search history.

FIG. 1 is a front perspective view of the single vent directional reamer tip comprising the new design; FIG. 2 is a right elevational view of the design of FIG. 1, where the left elevational view is a mirror image; FIG. 3 is a top view of the design of FIG. 1; FIG. 4 is a bottom view of the design of FIG. 1; FIG. 5 is a front elevational view of the design of FIG. 1; FIG. 6 is a back elevational view of the design of FIG. 1; and, FIG. 7 is another perspective view of the single vent directional reamer tip design of FIG. 1.

The broken lines shown in the figures represent portions of the single vent directional reamer tip that form no part of the claimed design.

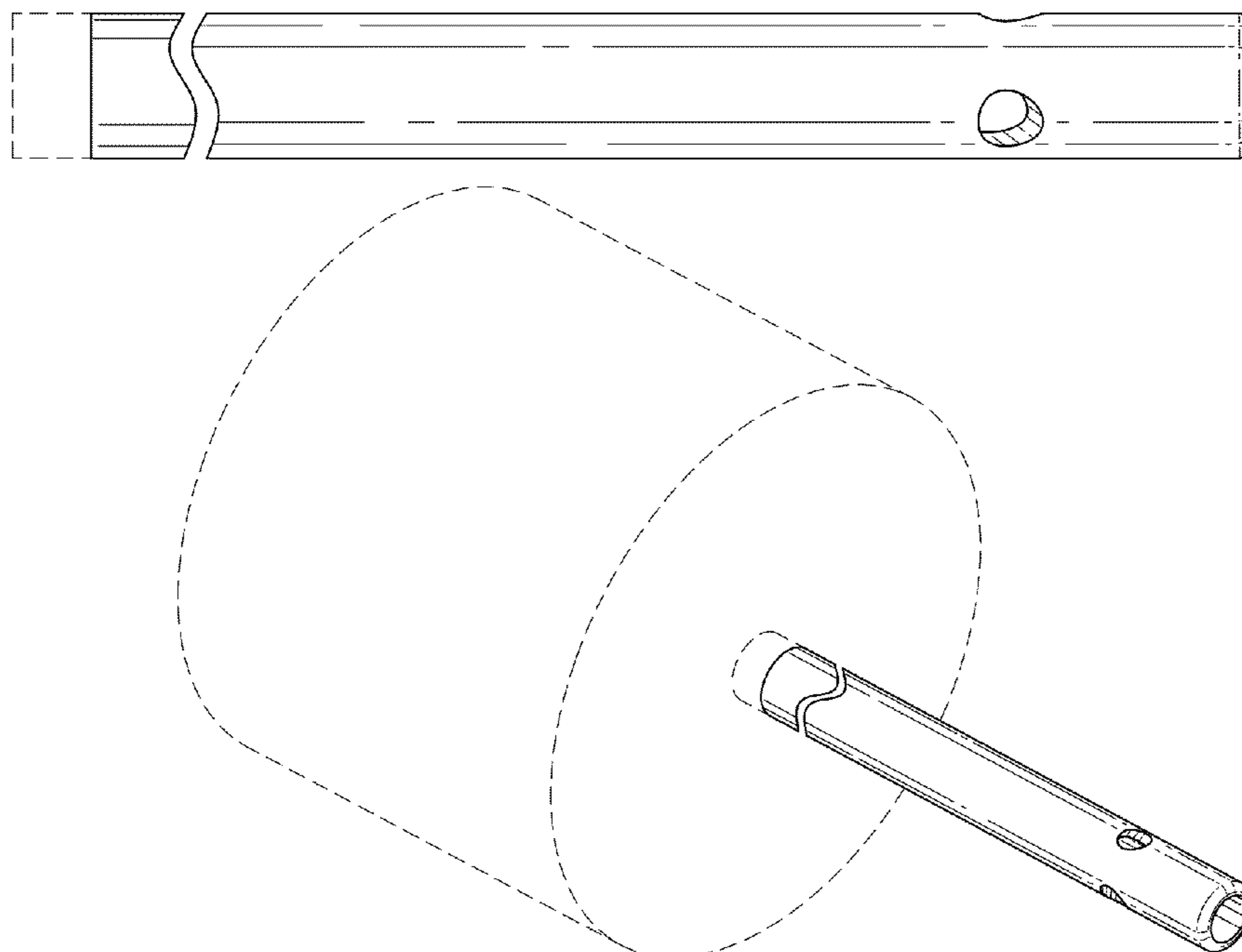
The broken away symbols in the drawings indicate that any portion of the article beyond what is shown forms no part of the claimed design.

(56) **References Cited**

U.S. PATENT DOCUMENTS

3,322,124 A * 5/1967 Ireland 433/141
5,037,300 A * 8/1991 Weissman 433/166
5,076,788 A * 12/1991 Niznick 433/173
5,195,892 A * 3/1993 Gersberg 433/174
5,261,818 A * 11/1993 Shaw 433/165
5,556,280 A * 9/1996 Pelak 433/172

1 Claim, 3 Drawing Sheets



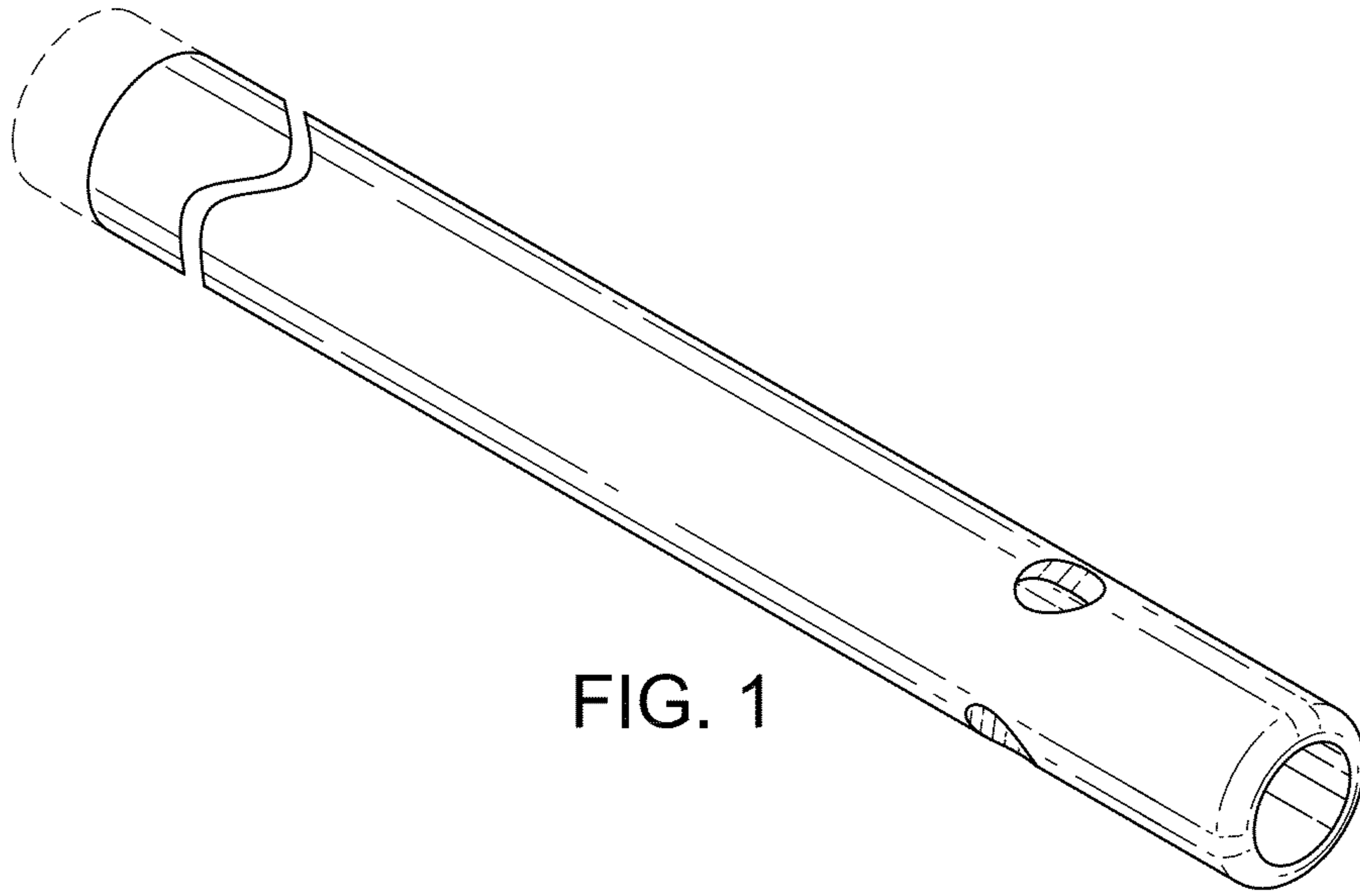


FIG. 1

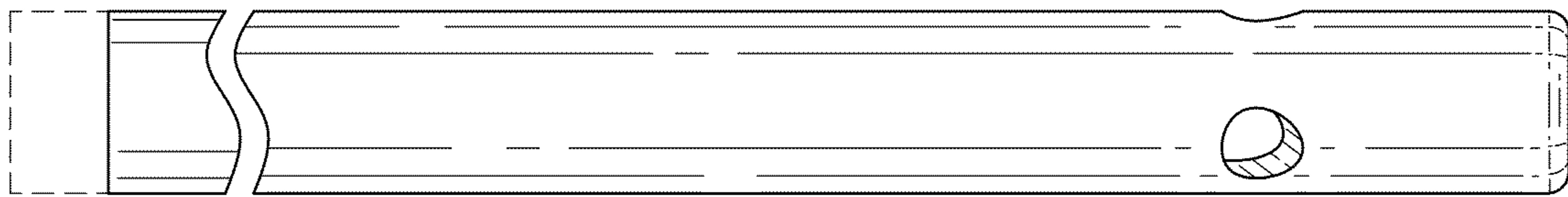


FIG. 2

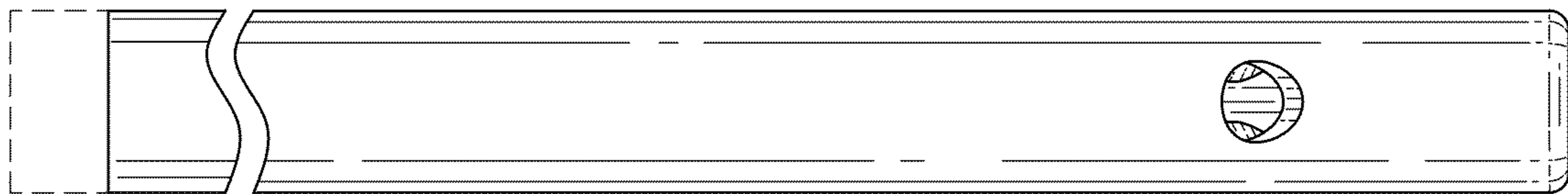


FIG. 3

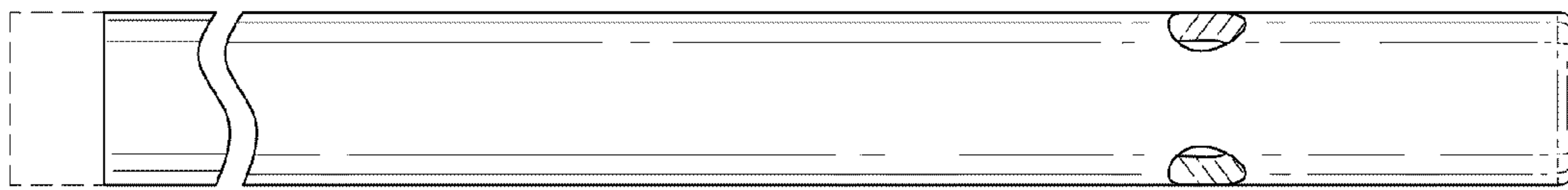


FIG. 4

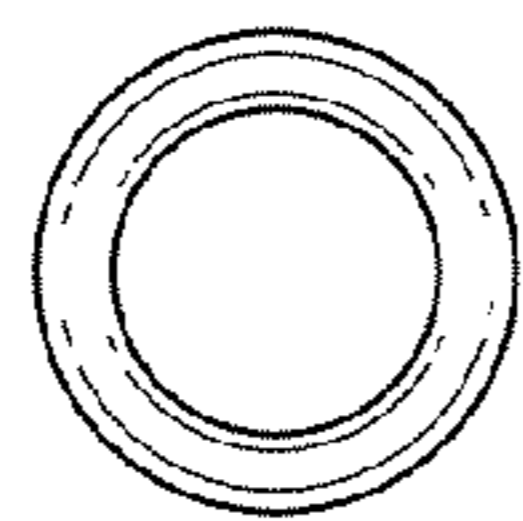


FIG. 5

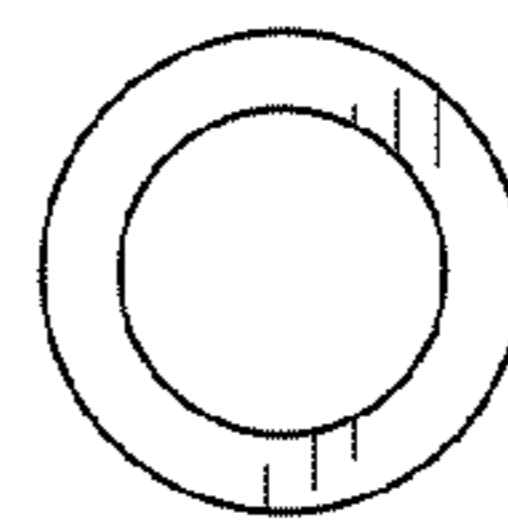


FIG. 6

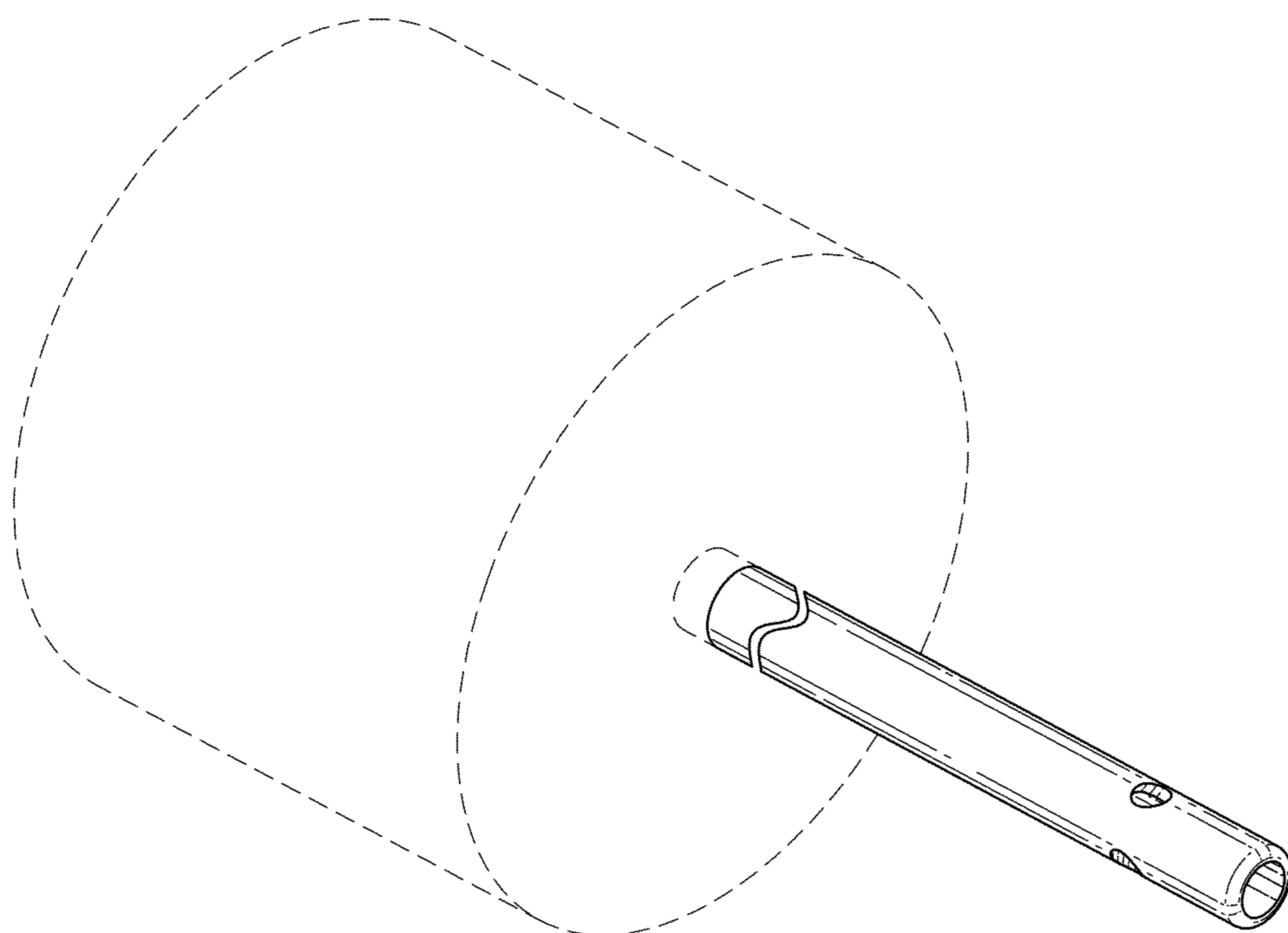


FIG. 7