



US00D734461S

(12) **United States Design Patent**
Froidevaux

(10) **Patent No.:** **US D734,461 S**

(45) **Date of Patent:** **** *Jul. 14, 2015**

- (54) **SHANK FOR SURGICAL DRILL**
- (71) Applicant: **Bien-Air Holding SA**, Biel/Bienne (CH)
- (72) Inventor: **Hugues Froidevaux**, Le Noirmont (CH)
- (73) Assignee: **Bien-Air Holding SA**, Biel/Bienne (CH)
- (*) Notice: This patent is subject to a terminal disclaimer.
- (**) Term: **14 Years**
- (21) Appl. No.: **29/453,213**
- (22) Filed: **Apr. 26, 2013**

Related U.S. Application Data

- (63) Continuation of application No. 29/447,630, filed on Mar. 5, 2013, now abandoned.

(30) **Foreign Application Priority Data**

Sep. 7, 2012 (WO) DM/079 118

- (51) **LOC (10) Cl.** **24-02**

- (52) **U.S. Cl.**
USPC **D24/146**

(58) **Field of Classification Search**

USPC D24/144-147, 155, 140, 149-152, 133, D24/177, 10, 12, 16; 606/167, 79, 311, 84, 606/309, 80, 86 R, 315, 65, 96, 98, 104, 53, 606/86, 88, 8, 176, 83; 301/162, 295, 600, 301/153; 81/81, 387, 153, 29, 71, 52, 437, 81/439; D8/70, 85, 86, 80, 66, 67, 107, D8/139, 14, 16, 24, 387, 388, 29, 21, 61, D8/62; D15/132, 126, 138-140, 177.85, D15/99, 10; 408/219, 239 A, 225-228, 408/115 R, 241 B, 144, 153, 143, 199-234, 408/115 B, 212, 230; 144/115 R, 241 B, 227; 411/387.1; 76/387.1; 175/415, 108.6, 175/108.1; 269/87.3, 268-270; 128/305; 30/167, 162, 295; D54/4; 401/91

CPC A61B 17/16; B23B 31/005; B23B 47/281; B23B 47/282; B23B 47/287; B23B 51/00; B23B 2226/75; B23B 2231/0224; B23B 2231/0232; B23B 2251/241
See application file for complete search history.

(56) **References Cited**

U.S. PATENT DOCUMENTS

2,260,288	A *	10/1941	Black	408/228
D245,395	S *	8/1977	Cognevich	D8/70
D273,077	S *	3/1984	Bell	D8/70
D276,879	S *	12/1984	Bell	D8/70
D316,363	S *	4/1991	Lisenbee	D8/70
D347,848	S *	6/1994	Maynard, Jr.	D15/139

(Continued)

Primary Examiner — Robert M Spear

Assistant Examiner — Marissa J Cash

(74) *Attorney, Agent, or Firm* — McGlew and Tuttle, P.C.

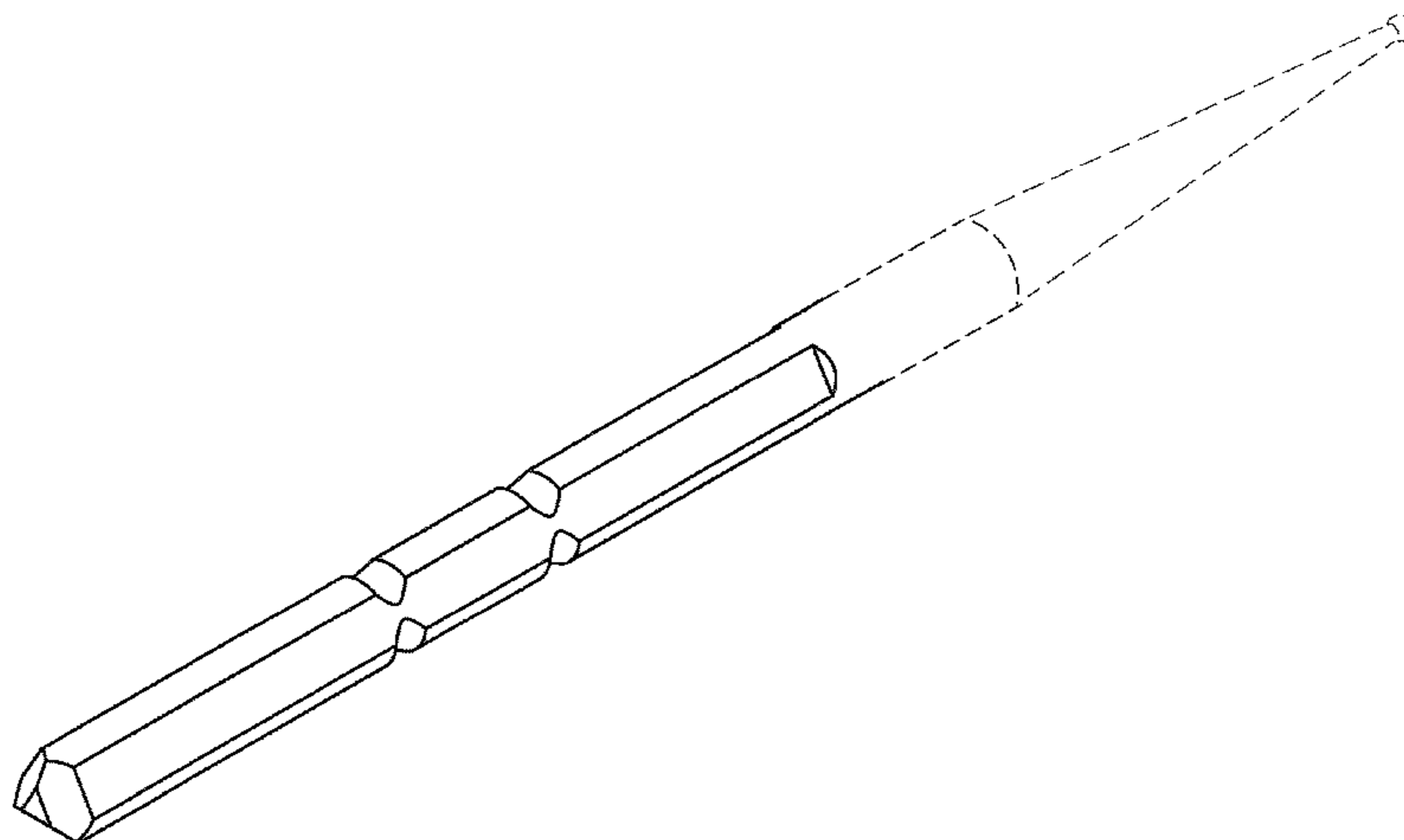
(57) **CLAIM**

The ornamental design for a shank for surgical drill, as shown and described.

DESCRIPTION

FIG. 1 is a top view of my shank for surgical drill design with the tip shown in broken line is for the purpose of illustrating environmental structure that forms no part of the claimed design;
FIG. 2 is a front view (a view rotated 120° relative to FIG. 1) thereof;
FIG. 3 is side view (a view rotated 120° relative to FIG. 2) thereof;
FIG. 4 is a tip end view thereof;
FIG. 5 is a rear end view thereof; and,
FIG. 6 is a top rear perspective view thereof.

1 Claim, 3 Drawing Sheets



(56)

References Cited

U.S. PATENT DOCUMENTS

D430,584 S * 9/2000 Kouvelis D15/139
6,607,533 B2 * 8/2003 Del Rio et al. 606/80
7,097,396 B1 * 8/2006 Miyanaga 408/144

7,153,070 B1 * 12/2006 Schroeder 408/115 R
D568,474 S * 5/2008 Braunberger et al. D24/147
D656,611 S * 3/2012 Garcia et al. D24/145
D656,612 S * 3/2012 Garcia et al. D24/145

* cited by examiner

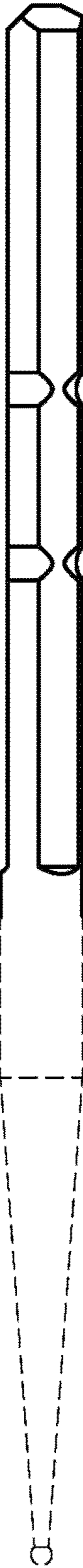


Fig. 1

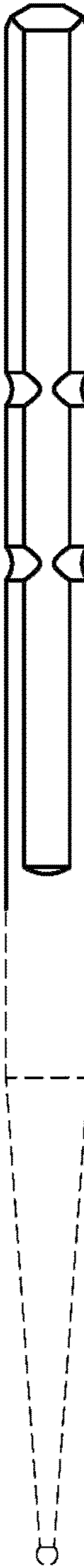


Fig. 2

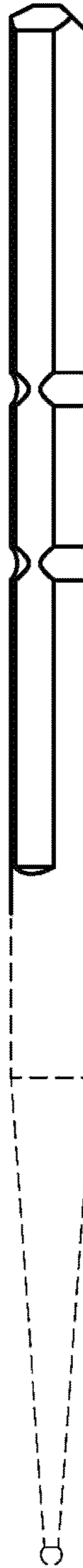


Fig. 3

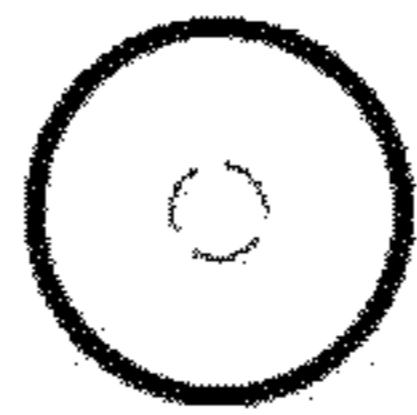


Fig. 4

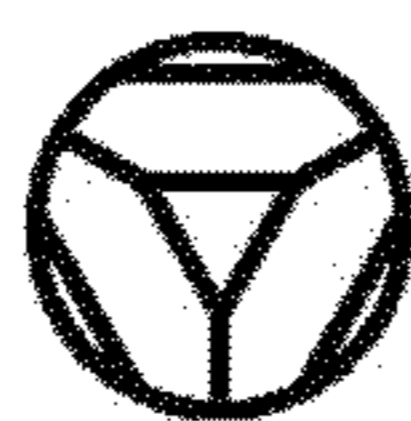


Fig. 5

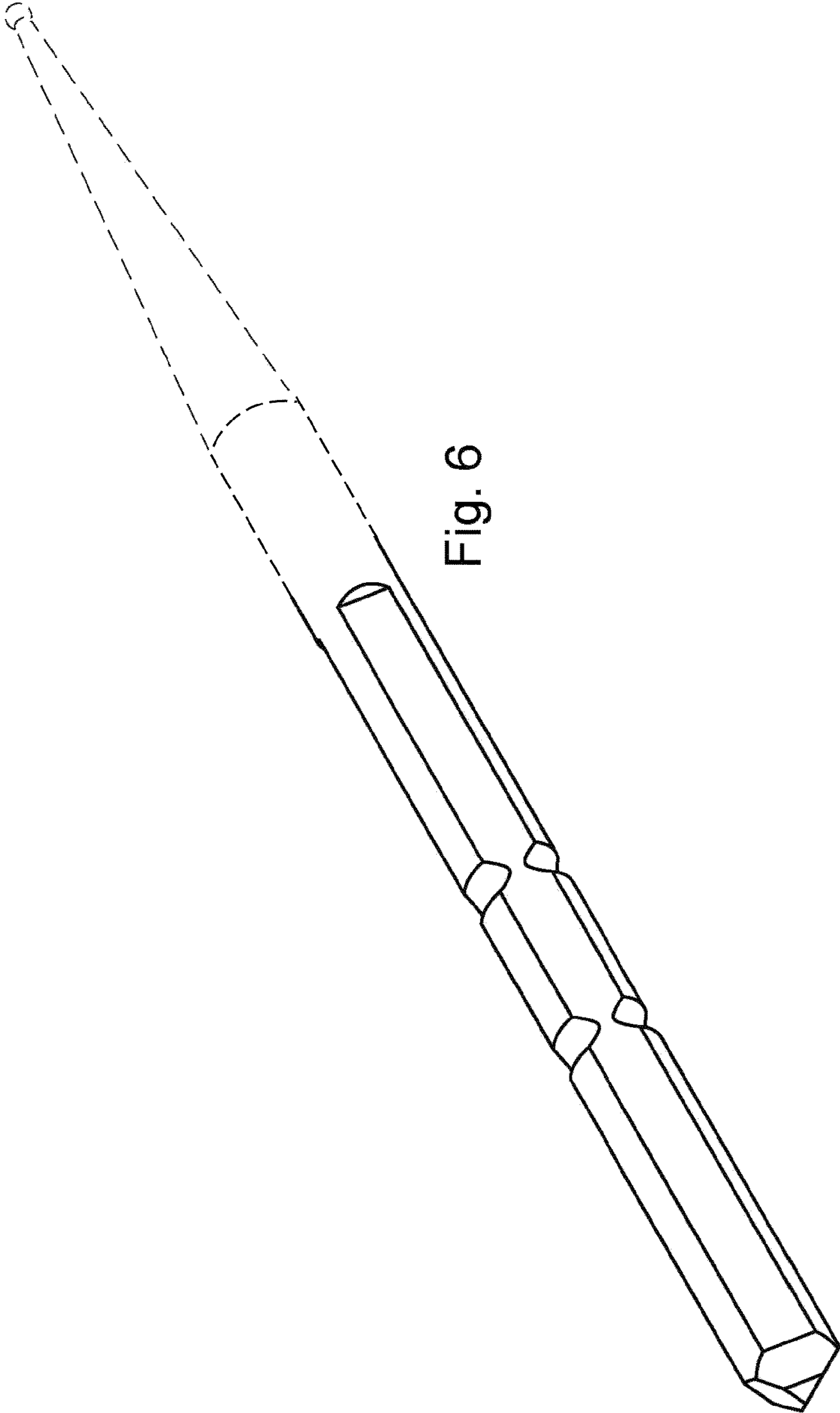


Fig. 6