



US00D734460S

(12) **United States Design Patent**
Froidevaux

(10) **Patent No.:** **US D734,460 S**

(45) **Date of Patent:** **** *Jul. 14, 2015**

(54) **SHANK FOR SURGICAL DRILL**

(71) Applicant: **Bien-Air Holding SA**, Biel/Bienne (CH)

(72) Inventor: **Hugues Froidevaux**, Le Noirmont (CH)

(73) Assignee: **Bien-Air Holding SA**, Biel/Bienne (CH)

(*) Notice: This patent is subject to a terminal disclaimer.

(**) Term: **14 Years**

(21) Appl. No.: **29/447,634**

(22) Filed: **Mar. 5, 2013**

(30) **Foreign Application Priority Data**

Sep. 7, 2012 (WO) DM/079 118

(51) **LOC (10) Cl.** **24-02**

(52) **U.S. Cl.**
USPC **D24/146**

(58) **Field of Classification Search**

USPC D24/144-147, 155, 140, 149-152, 133, D24/177, 10, 12, 16; 606/167, 79, 311, 84, 606/309, 80, 86 R, 315, 65, 96, 98, 104, 53, 606/86, 88, 8, 176, 83; 81/81, 387, 153, 29, 81/71, 52, 437, 439; D8/70, 85, 86, 80, D8/66, 67, 107, 139, 14, 16, 24, 387, 388, D8/29, 21, 61, 62; D15/132, 126, D15/138-140, 177.85, 99, 10; 301/162, 301/295, 600, 153; 408/219, 239 A, 408/225-228, 115 R, 241 B, 144, 153, 143, 408/199-234, 115 B, 212, 230; 144/115 R, 144/241 B, 227; 411/387.1; 76/108.6, 76/108.1; 175/415, 108.6, 108.1; 269/87.3, 268-270; 128/305; 30/167, 30/162, 295; D54/4, 91; 99/DIG. 26; 483/127-128; 433/165, 158, 161; 29/987.1, 106, 107
CPC A61B 17/16; B23B 31/005; B23B 47/281; B23B 2226/75; B23B 2231/0224; B23B 2231/0232; B23B 2251/241

See application file for complete search history.

(56) **References Cited**

U.S. PATENT DOCUMENTS

2,260,288	A *	10/1941	Black	408/228
D245,395	S *	8/1977	Cognevich	D8/70
D273,077	S *	3/1984	Bell	D8/70
D276,879	S *	12/1984	Bell	D8/70
D316,363	S *	4/1991	Lisenbee	D8/70
D347,848	S *	6/1994	Maynard, Jr.	D15/139
D430,584	S *	9/2000	Kouvelis	D15/139
6,607,533	B2 *	8/2003	Del Rio et al.	606/80
7,097,396	B1 *	8/2006	Miyanaga	408/144
7,153,070	B1 *	12/2006	Schroeder	408/115 R
D568,474	S *	5/2008	Braunberger et al.	D24/147
D656,611	S *	3/2012	Garcia et al.	D24/145
D656,612	S *	3/2012	Garcia et al.	D24/145

* cited by examiner

Primary Examiner — Robert M Spear

Assistant Examiner — Marissa J Cash

(74) *Attorney, Agent, or Firm* — McGlew and Tuttle, P.C.

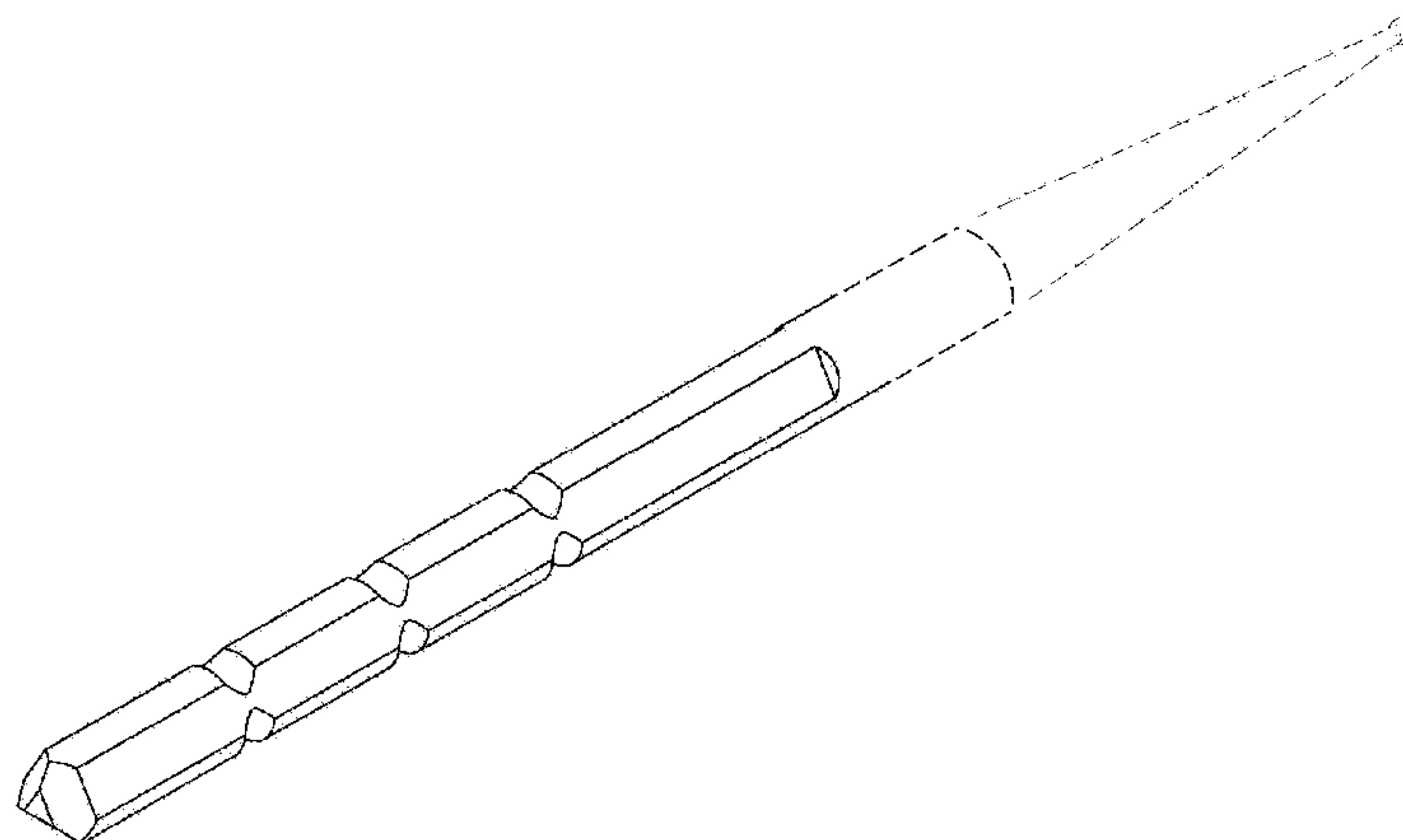
(57) **CLAIM**

The ornamental design for a shank for surgical drill, as shown and described.

DESCRIPTION

FIG. 1 is a top view of my shank for surgical drill design with the tip shown in broken line for the purpose of illustrating environmental structure that forms no part of the claimed design;
FIG. 2 is a front view (a view rotated 120° relative to FIG. 1) thereof;
FIG. 3 is side view (a view rotated 120° relative to FIG. 2) thereof;
FIG. 4 is a tip end view thereof;
FIG. 5 is a rear end view thereof; and,
FIG. 6 is a top rear perspective view thereof.

1 Claim, 3 Drawing Sheets



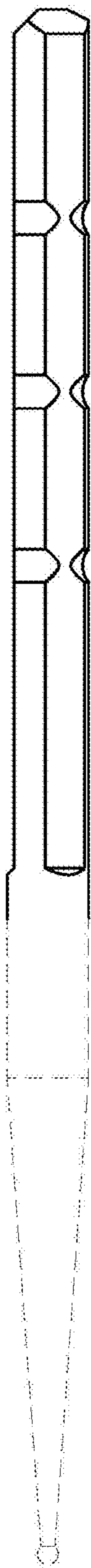


Fig. 1

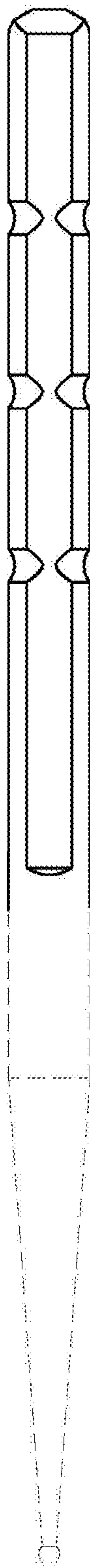


Fig. 2

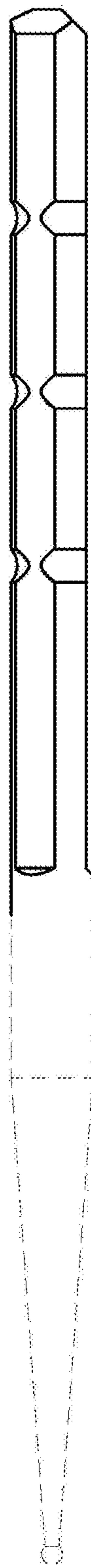


Fig. 3

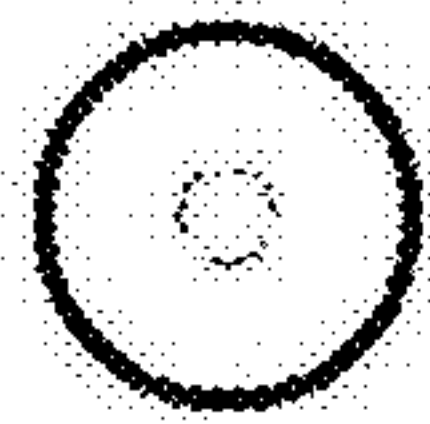


Fig. 4

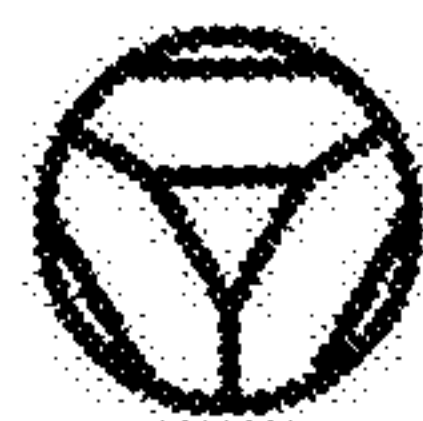


Fig. 5

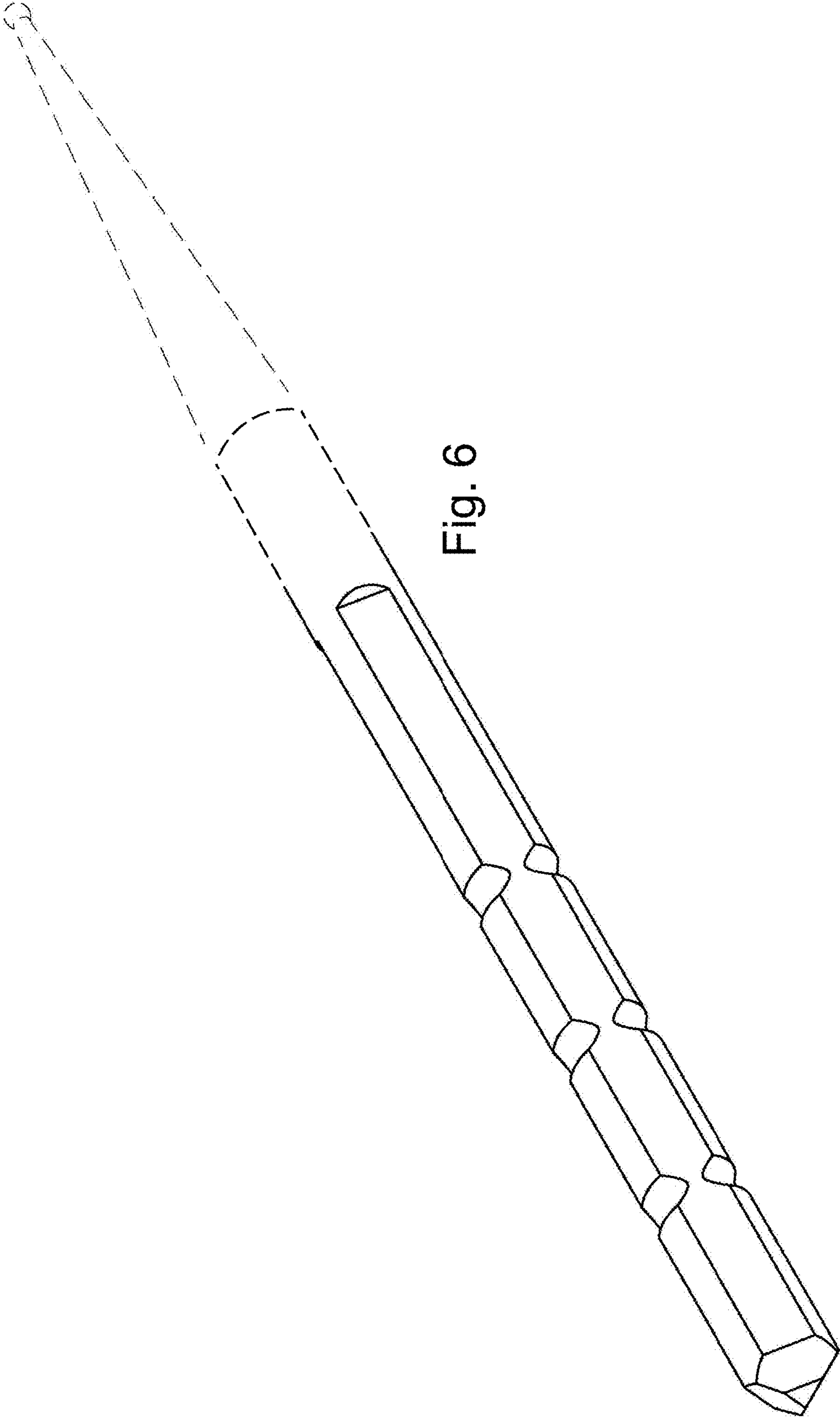


Fig. 6