



US00D734457S

(12) **United States Design Patent**  
**Yu et al.**

(10) **Patent No.:** **US D734,457 S**  
(45) **Date of Patent:** **\*\* Jul. 14, 2015**

(54) **CONTROL HANDLE FOR A MEDICAL DEVICE**

- (71) Applicant: **St. Jude Medical, Atrial Fibrillation Division, Inc.**, St. Paul, MN (US)
- (72) Inventors: **Alex Yu**, Minneapolis, MN (US);  
**Stephen W. Evans**, Plymouth, MN (US)
- (73) Assignee: **St. Jude Medical, Atrial Fibrillation Division, Inc.**, St. Paul, MN (US)
- (\*\*) Term: **14 Years**
- (21) Appl. No.: **29/501,308**
- (22) Filed: **Sep. 3, 2014**

**Related U.S. Application Data**

- (60) Division of application No. 29/424,447, filed on Jun. 12, 2012, now Pat. No. Des. 715,430, which is a continuation-in-part of application No. 29/420,271, filed on May 7, 2012, now Pat. No. Des. 715,429.
- (51) **LOC (10) Cl.** ..... **24-02**
- (52) **U.S. Cl.**  
USPC ..... **D24/130**
- (58) **Field of Classification Search**  
USPC ..... D24/127, 130, 112-113, 186, 133, 138;  
606/181, 185; 604/533, 534, 284, 115,  
604/19, 48, 164.01-164.09; 600/226,  
600/372-374, 585, 114; 128/200.24,  
128/207.14, 207.15

See application file for complete search history.

(56) **References Cited**

U.S. PATENT DOCUMENTS

- D345,419 S \* 3/1994 Horrigan et al. .... D24/130
- D351,652 S \* 10/1994 Thompson et al. .... D24/138
- 7,194,294 B2 \* 3/2007 Panescu et al. .... 600/374
- 7,606,609 B2 10/2009 Muranushi et al.
- D612,044 S 3/2010 Scheibe
- D655,406 S \* 3/2012 Ma et al. .... D24/112
- 8,725,228 B2 \* 5/2014 Koblish et al. .... 600/374

OTHER PUBLICATIONS

Title: Safire BLU Duo Bi-Directional Ablation Catheter Irrigated 4 mm Tip Thermocouple Quadripolar Citation: St. Jude Medical Electrophysiology International Catalogue Reference pp. 169 Publication Date: 2010.

Title: Therapy 4mm, Bidirectional Catheter Deflection Citation: St. Jude Medical, Inc., Ordering Information and Accessories Publication Date: 2010.

\* cited by examiner

*Primary Examiner* — Robert Delehanty

(74) *Attorney, Agent, or Firm* — Dykema Gossett PLLC

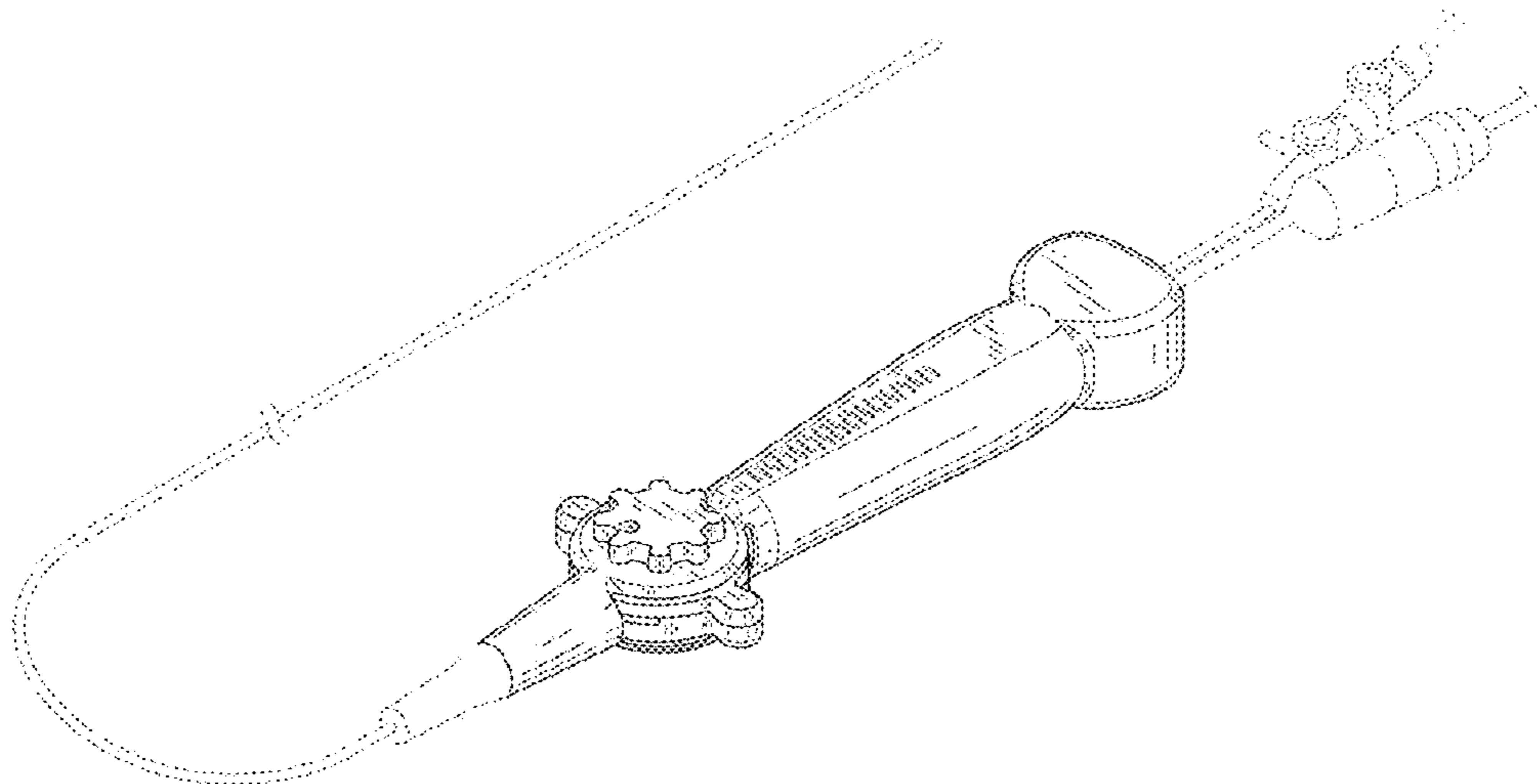
(57) **CLAIM**

The ornamental design for a control handle for a medical device, as shown and described.

**DESCRIPTION**

FIG. 1 is a perspective view of an embodiment of a control handle for a medical device showing a new design; FIG. 2 is a front view thereof; FIG. 3 is a back view thereof; FIG. 4 is a left view thereof; FIG. 5 is a right view thereof; FIG. 6 is a top side view thereof; and, FIG. 7 is a bottom side view thereof. The broken lines are for purposes of illustration only and form no part of the claimed design.

**1 Claim, 6 Drawing Sheets**



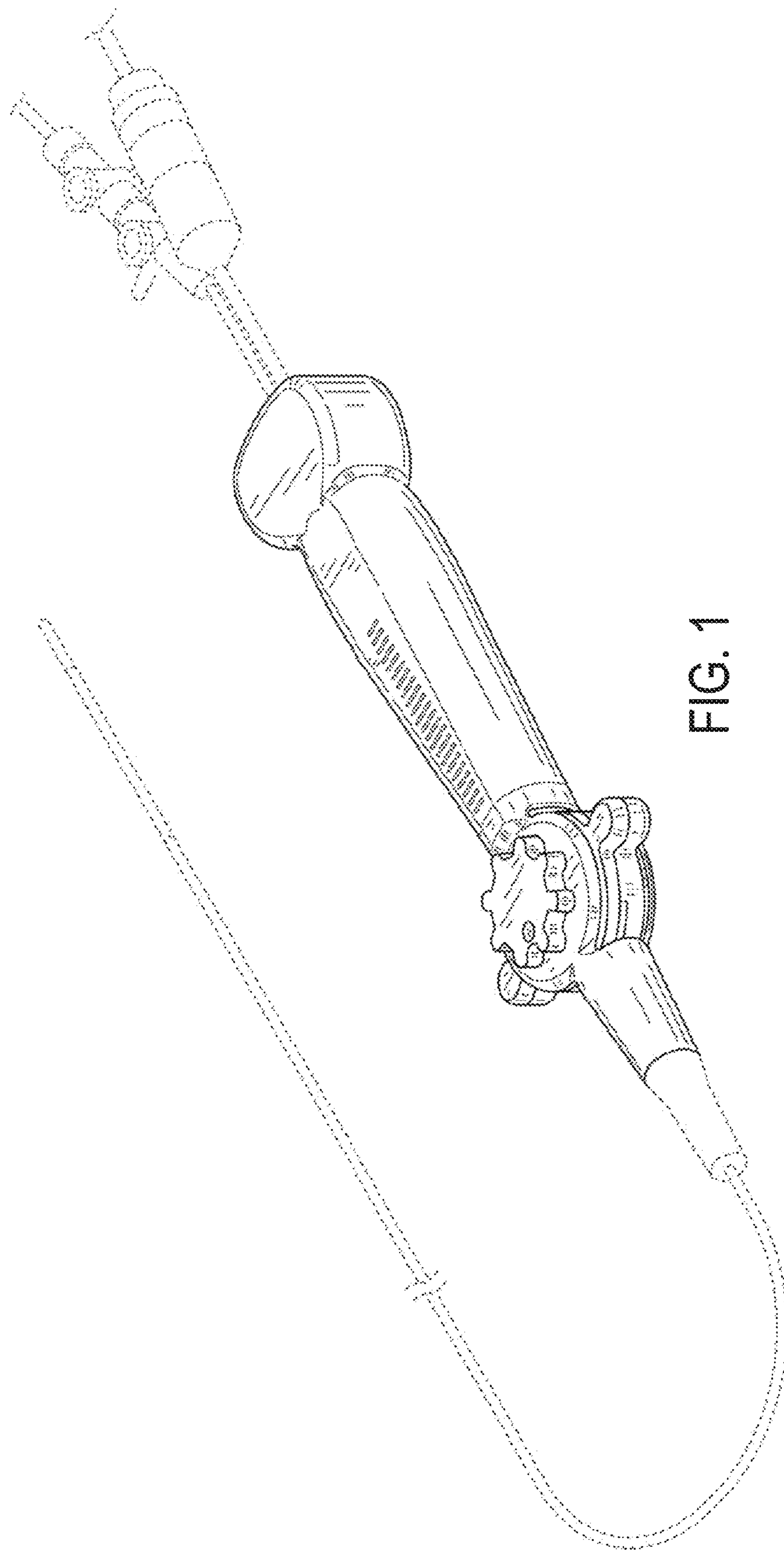


FIG. 1

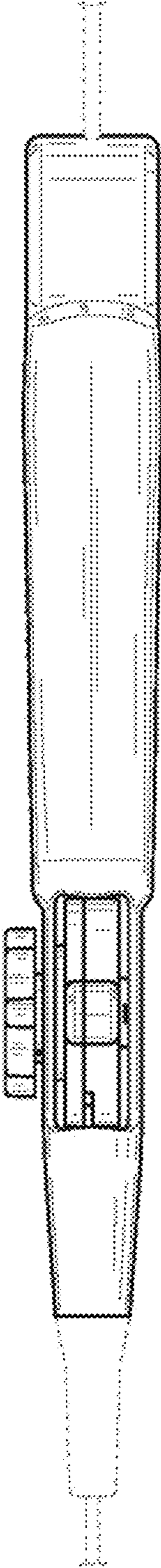


FIG. 2

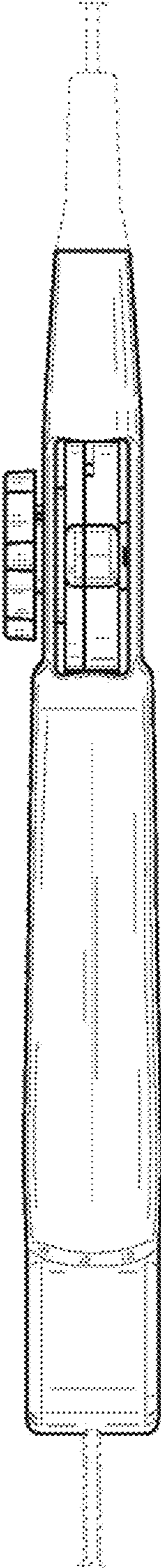


FIG. 3

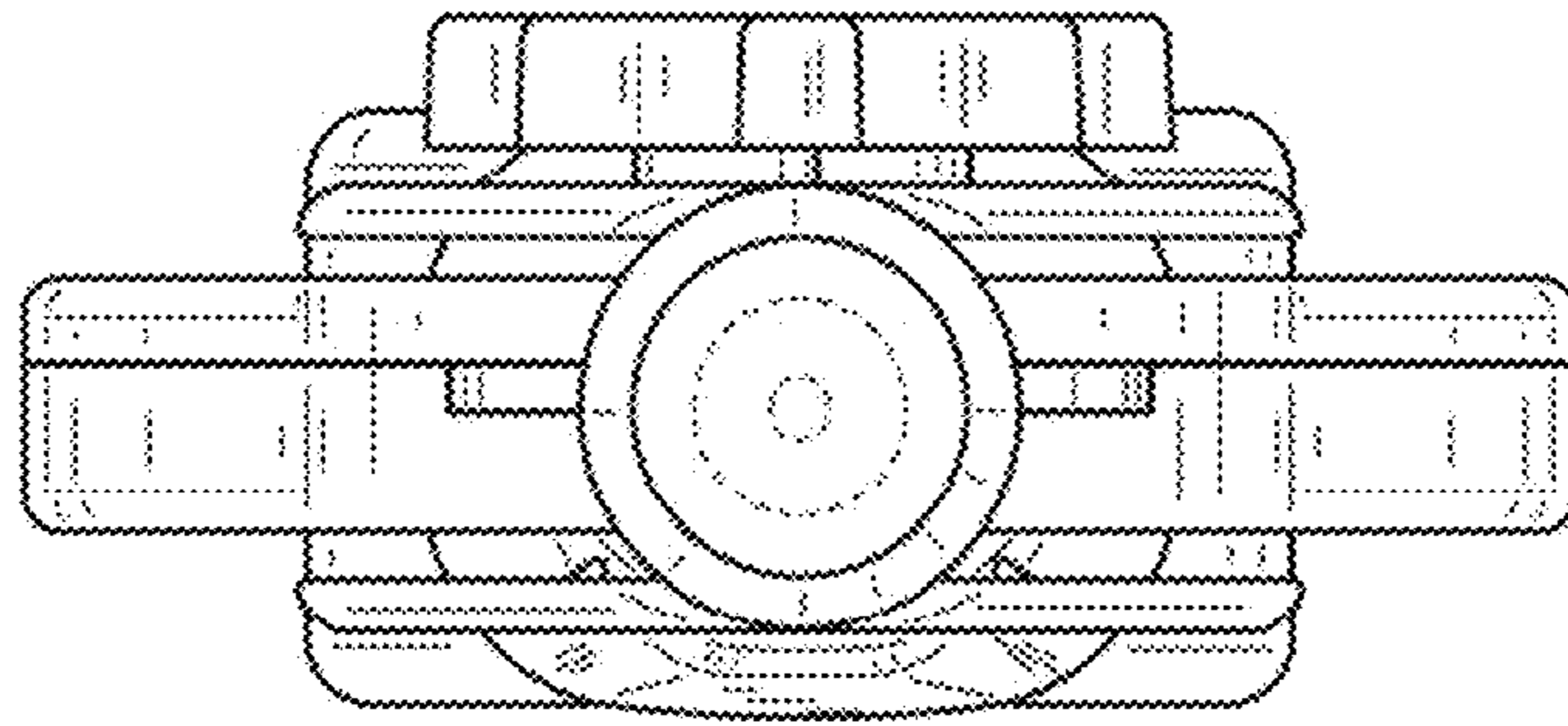


FIG. 4

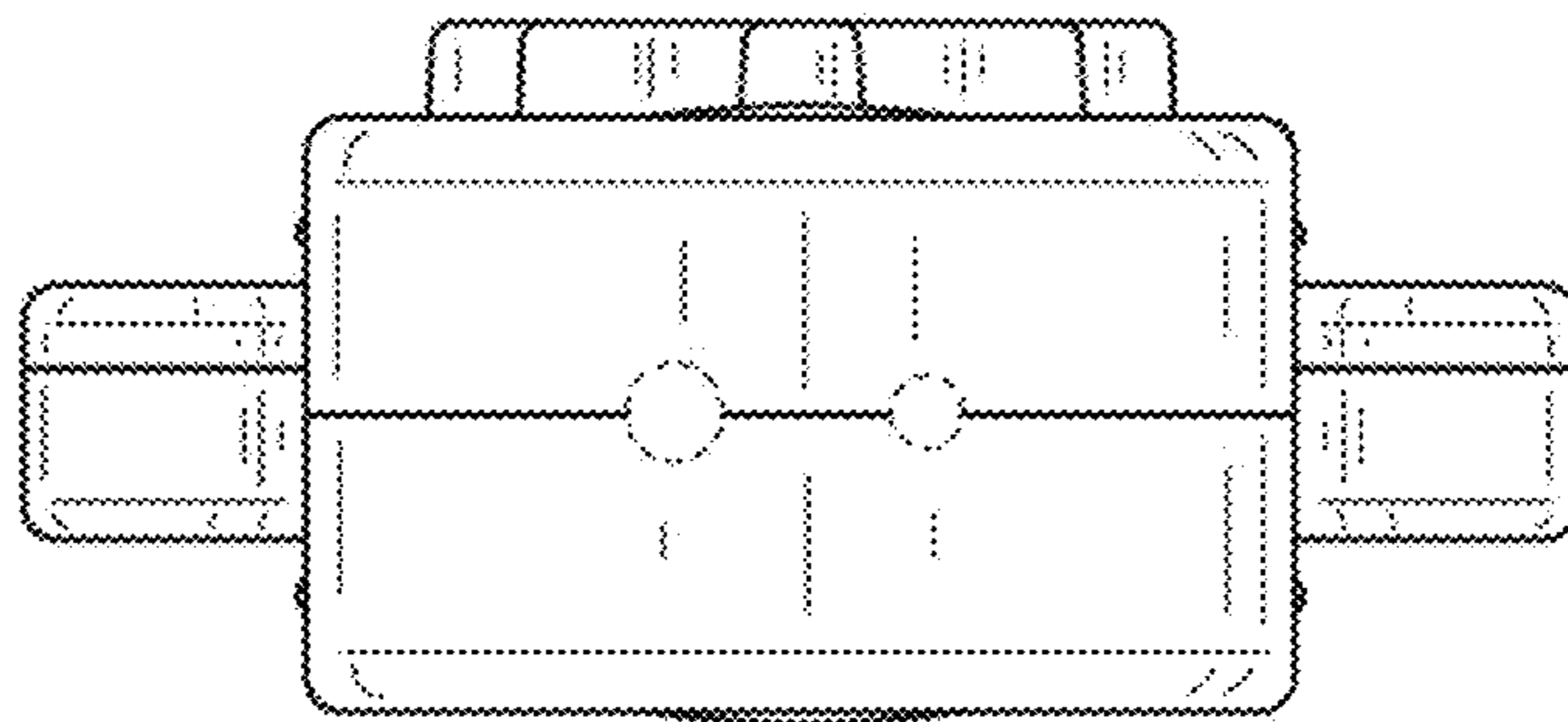


FIG. 5

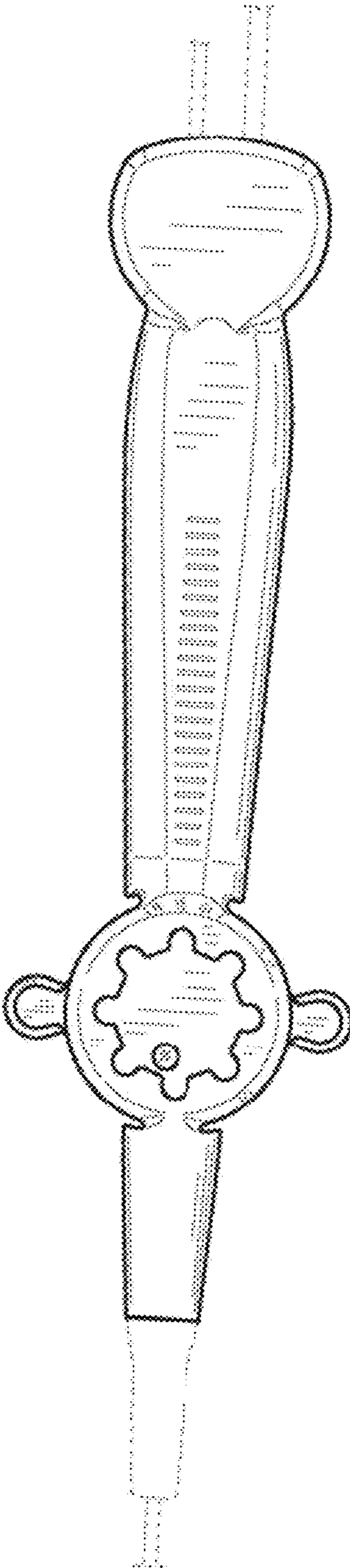


FIG. 6

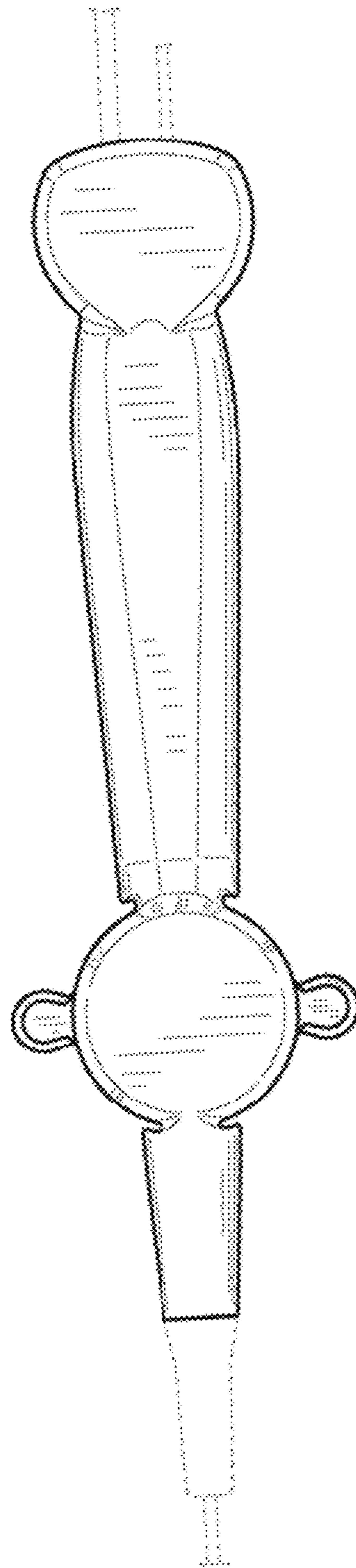


FIG. 7