



US00D734456S

(12) **United States Design Patent**  
**Cromett et al.**

(10) **Patent No.:** **US D734,456 S**  
(45) **Date of Patent:** **\*\* Jul. 14, 2015**

(54) **HUB FOR A MEDICAL APPLICATOR**  
(71) Applicant: **Nordson Corporation**, Westlake, OH (US)  
(72) Inventors: **Alexander Cromett**, St. Paul, MN (US);  
**Jon E. Hoogenakker**, Inver Grove Heights, MN (US)  
(73) Assignee: **NORDSON CORPORATION**, Westlake, OH (US)

5,603,706	A	*	2/1997	Wyatt et al.	.....	604/539
5,676,346	A	*	10/1997	Leinsing	.....	251/149.1
D482,121	S	*	11/2003	Harding et al.	.....	D24/129
D506,828	S	*	6/2005	Layne et al.	.....	D24/129
D634,007	S	*	3/2011	Zinger et al.	.....	D24/129
D673,673	S	*	1/2013	Wang	.....	D24/129
8,480,645	B1	*	7/2013	Choudhury et al.	.....	604/411
D691,717	S	*	10/2013	McLean et al.	.....	D24/129
D712,027	S	*	8/2014	Zerwic et al.	.....	D24/129
D720,850	S	*	1/2015	Hsia et al.	.....	D24/130
2014/0150911	A1	*	6/2014	Hanner et al.	.....	137/798

\* cited by examiner

(\*\*) Term: **14 Years**

*Primary Examiner* — David Muller

*Assistant Examiner* — Nathan Johnston

(21) Appl. No.: **29/481,186**

(74) *Attorney, Agent, or Firm* — Wood, Herron & Evans, L.L.P.

(22) Filed: **Feb. 3, 2014**

(51) **LOC (10) Cl.** ..... **24-01**

(57) **CLAIM**

The ornamental design for a hub for a medical applicator, as shown and described.

(52) **U.S. Cl.**

USPC ..... **D24/129**

(58) **Field of Classification Search**

USPC ..... D24/127–131, 112–114, 133, 186;  
606/181, 185; 604/264, 272, 115, 232,  
604/187, 158, 164.08, 192, 263, 163, 181,  
604/184, 198, 227; 600/101, 139, 143;  
128/200.24, 207.14, 207.15

CPC ..... A61M 25/00; A61M 25/0014; A61M  
25/0097; A61M 25/0026

See application file for complete search history.

**DESCRIPTION**

FIG. 1 is a front perspective view of the hub for a medical applicator according to the present invention.

FIG. 2 is a rear perspective view thereof.

FIG. 3 is a front elevation view thereof.

FIG. 4 is a rear elevation view thereof.

FIG. 5 is a left side elevation view thereof.

FIG. 6 is a right side elevation view thereof.

FIG. 7 is a top plan view thereof; and,

FIG. 8 is a bottom plan view thereof.

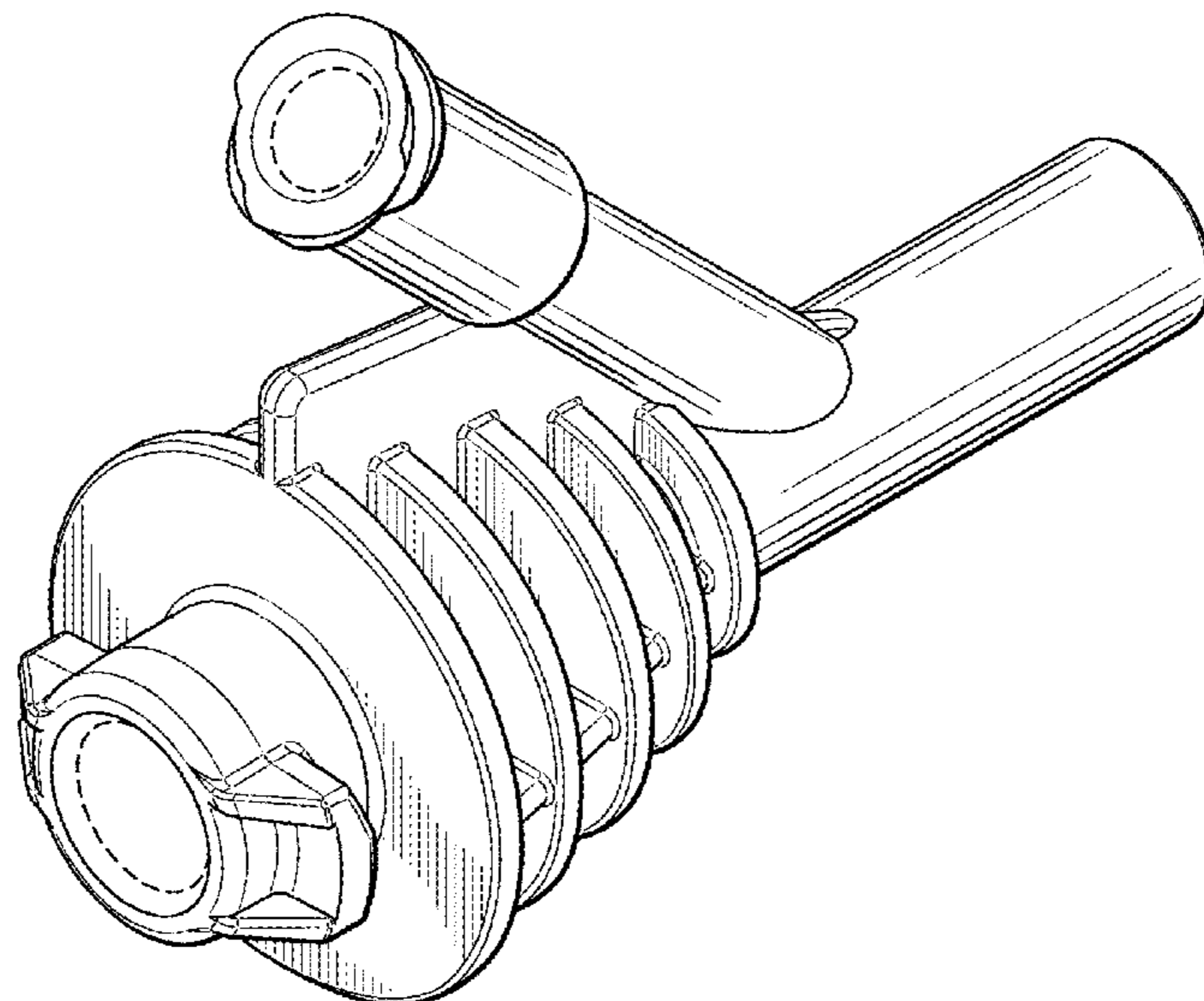
The broken lines define unclaimed boundaries of the design.

(56) **References Cited**

U.S. PATENT DOCUMENTS

D313,849	S	*	1/1991	Robinson	.....	D24/129
D374,076	S	*	9/1996	Hillstead et al.	.....	D24/112

**1 Claim, 4 Drawing Sheets**



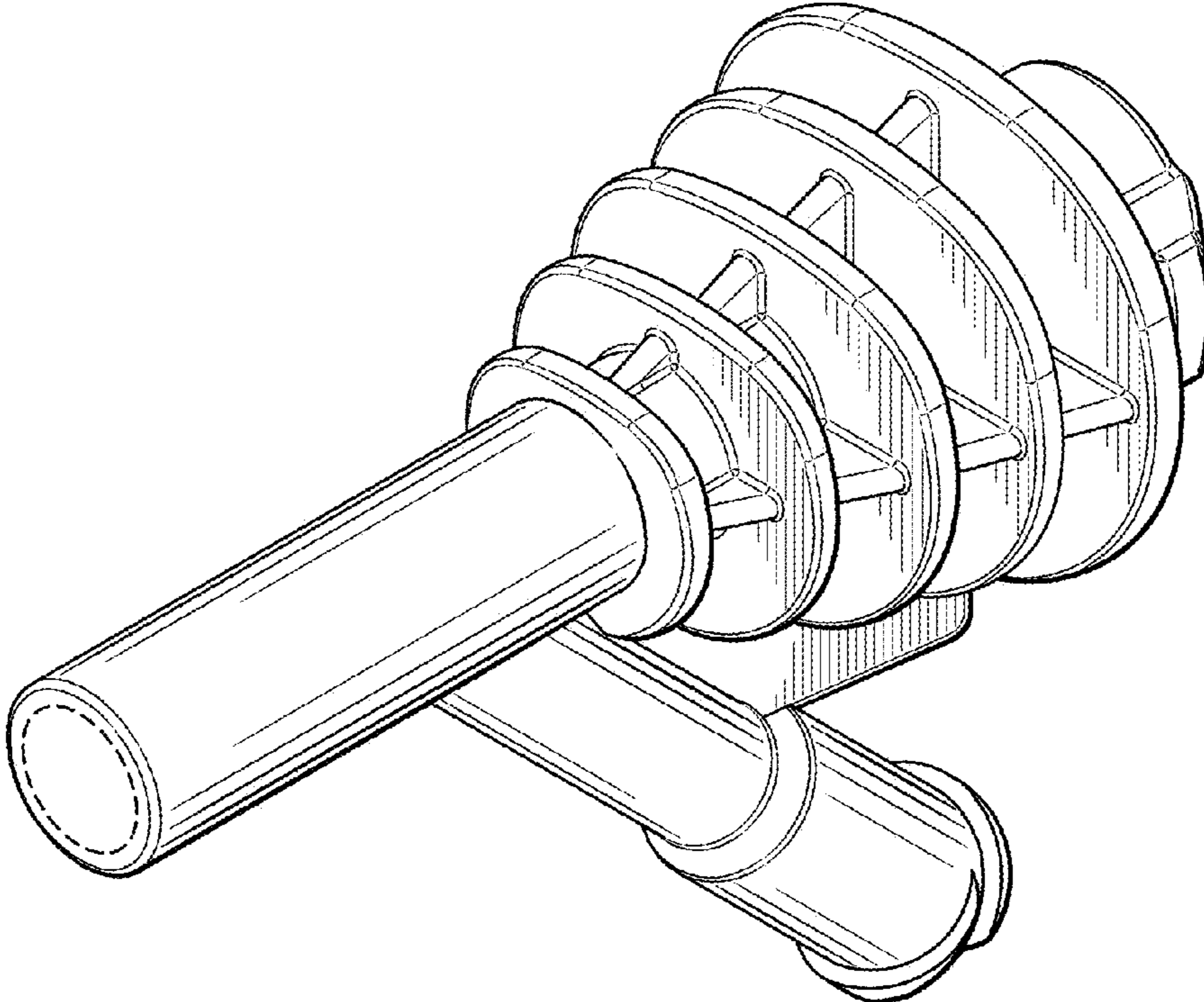


FIG. 1

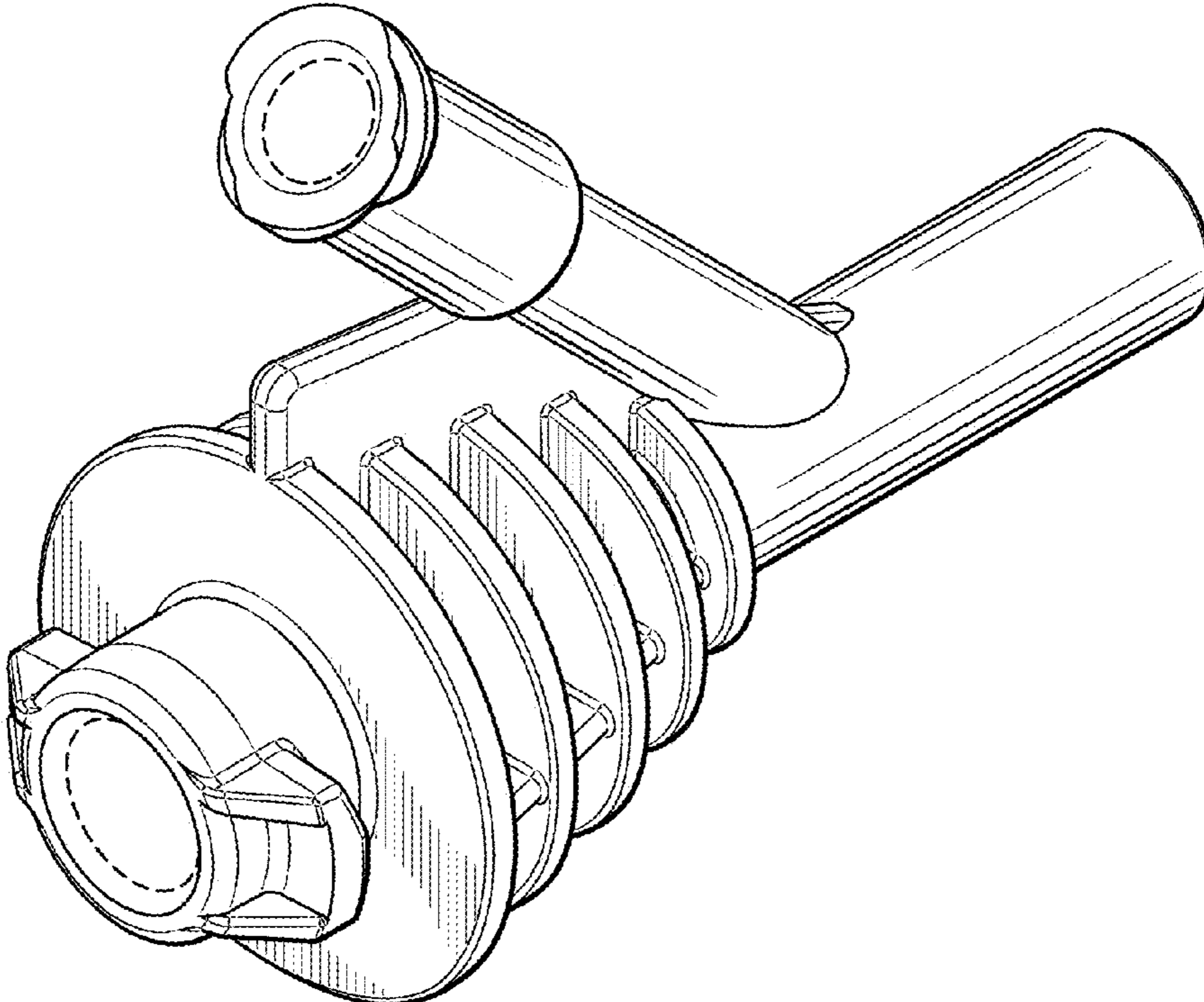


FIG. 2

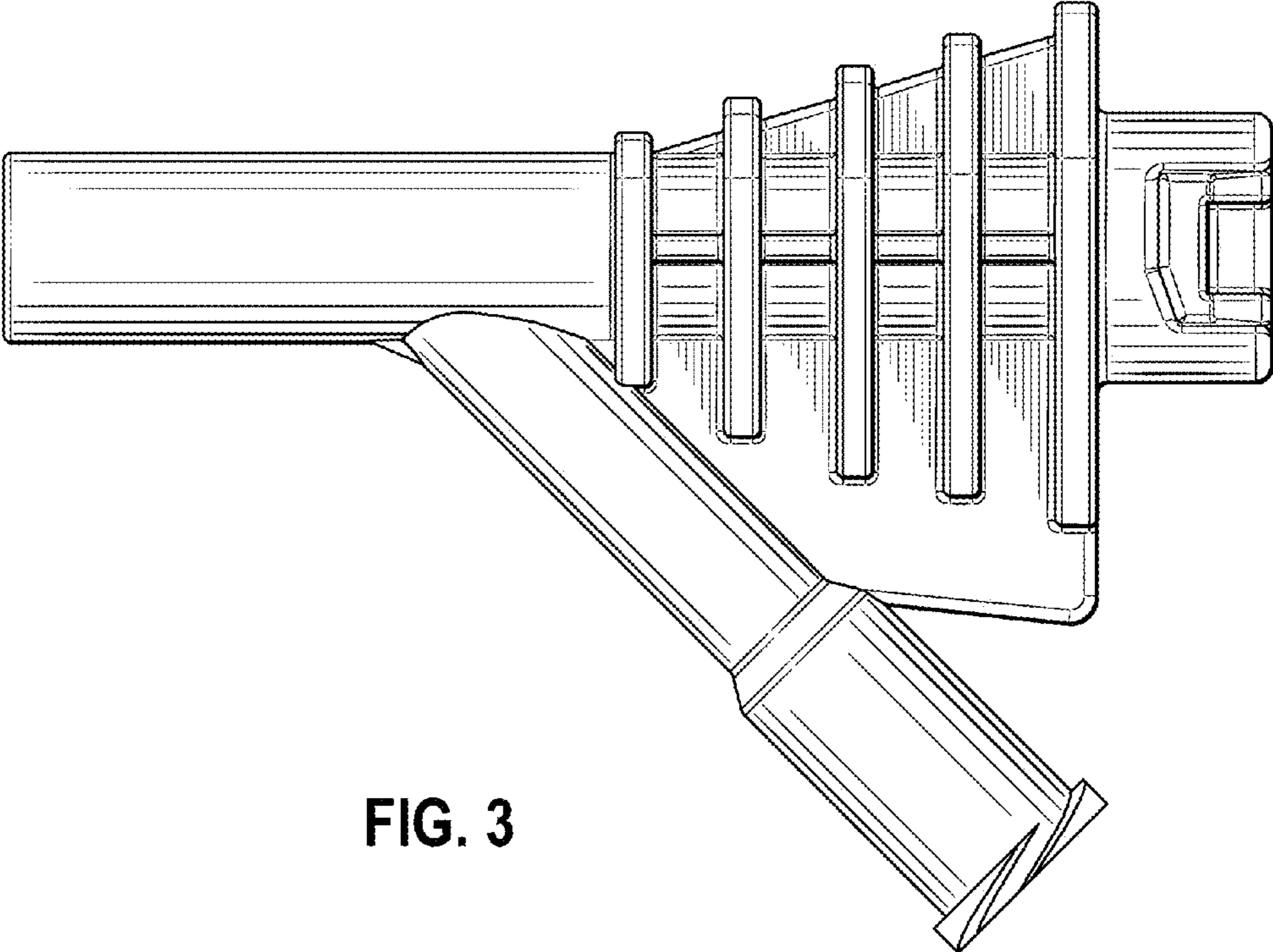


FIG. 3

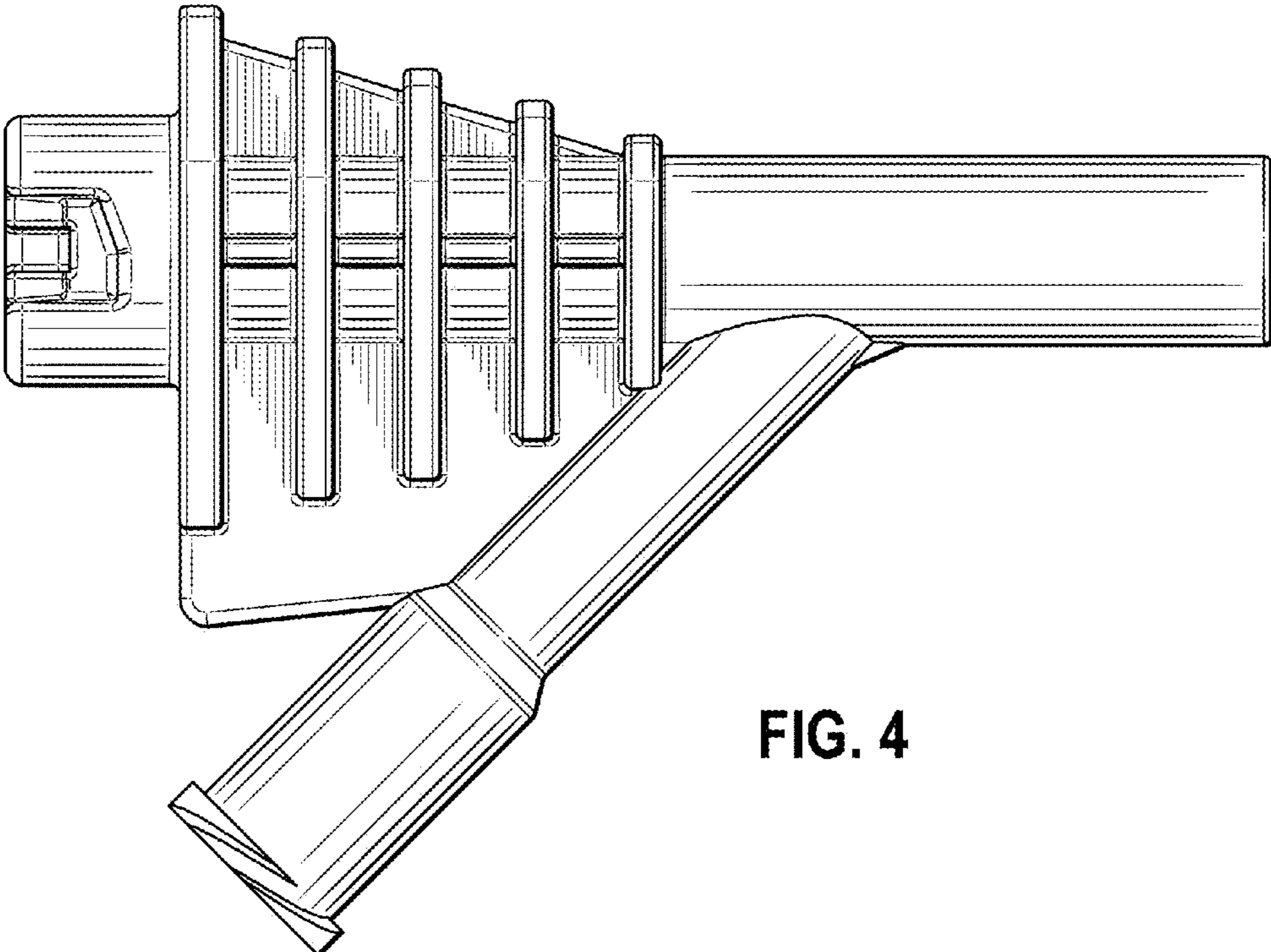
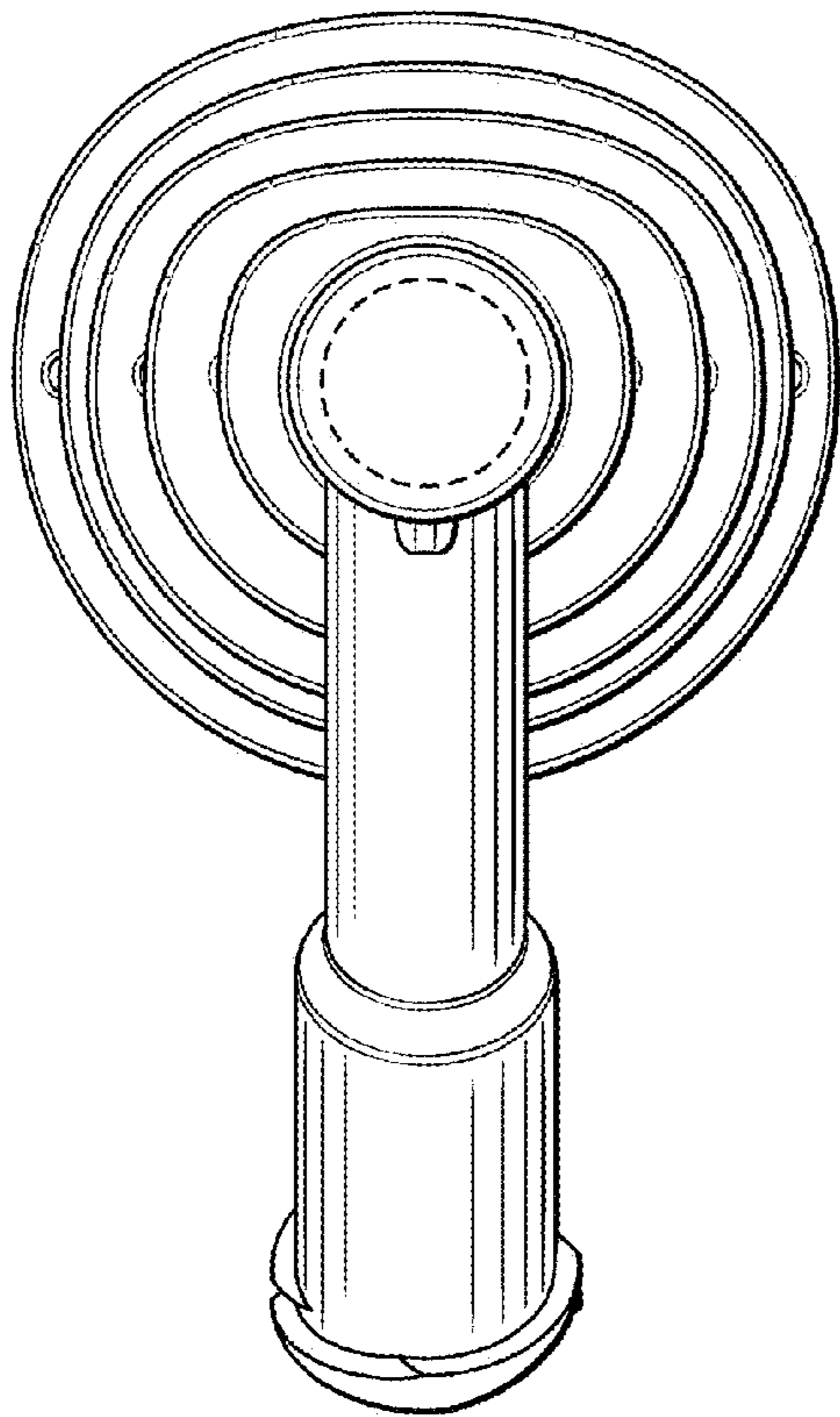
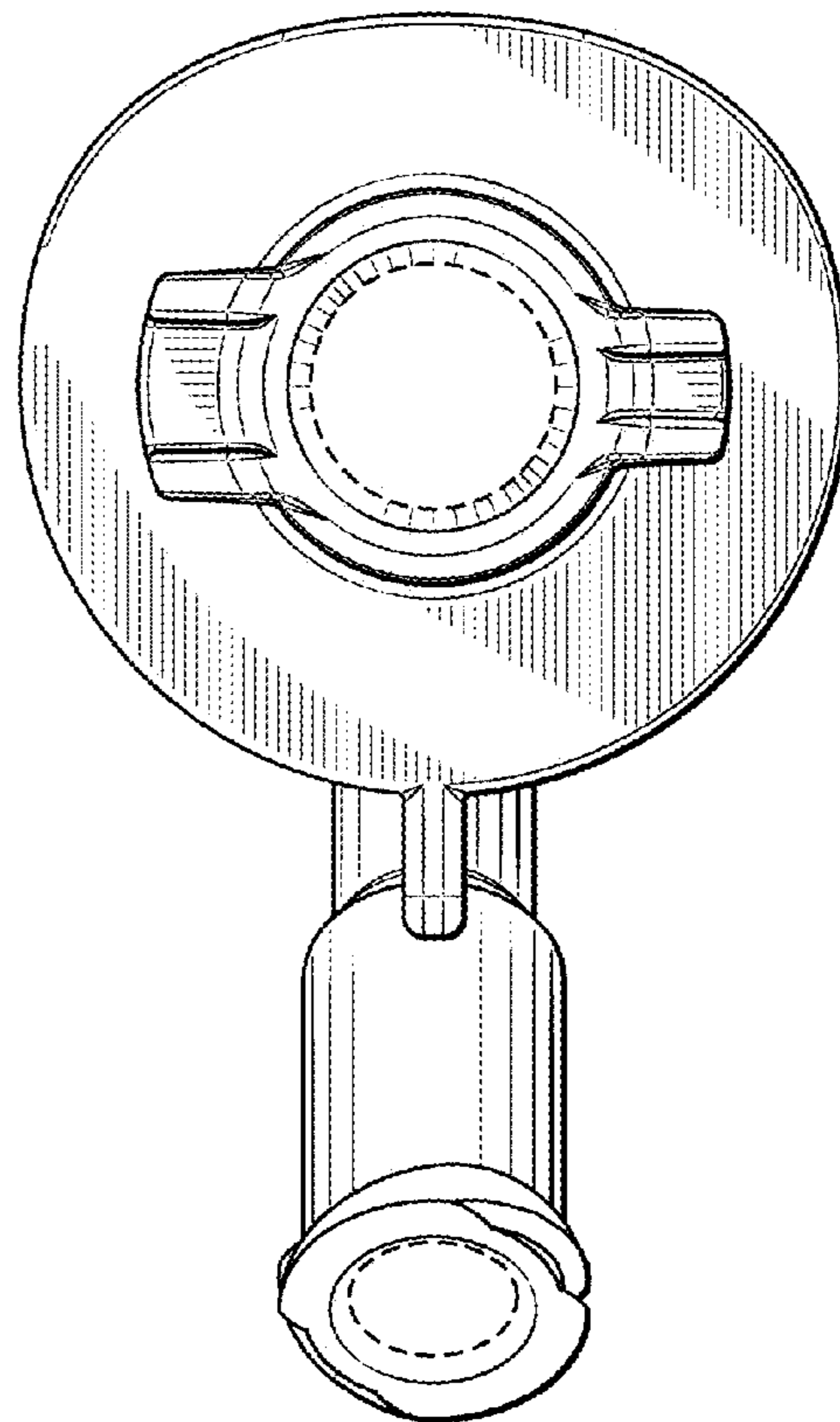


FIG. 4



**FIG. 5**



**FIG. 6**

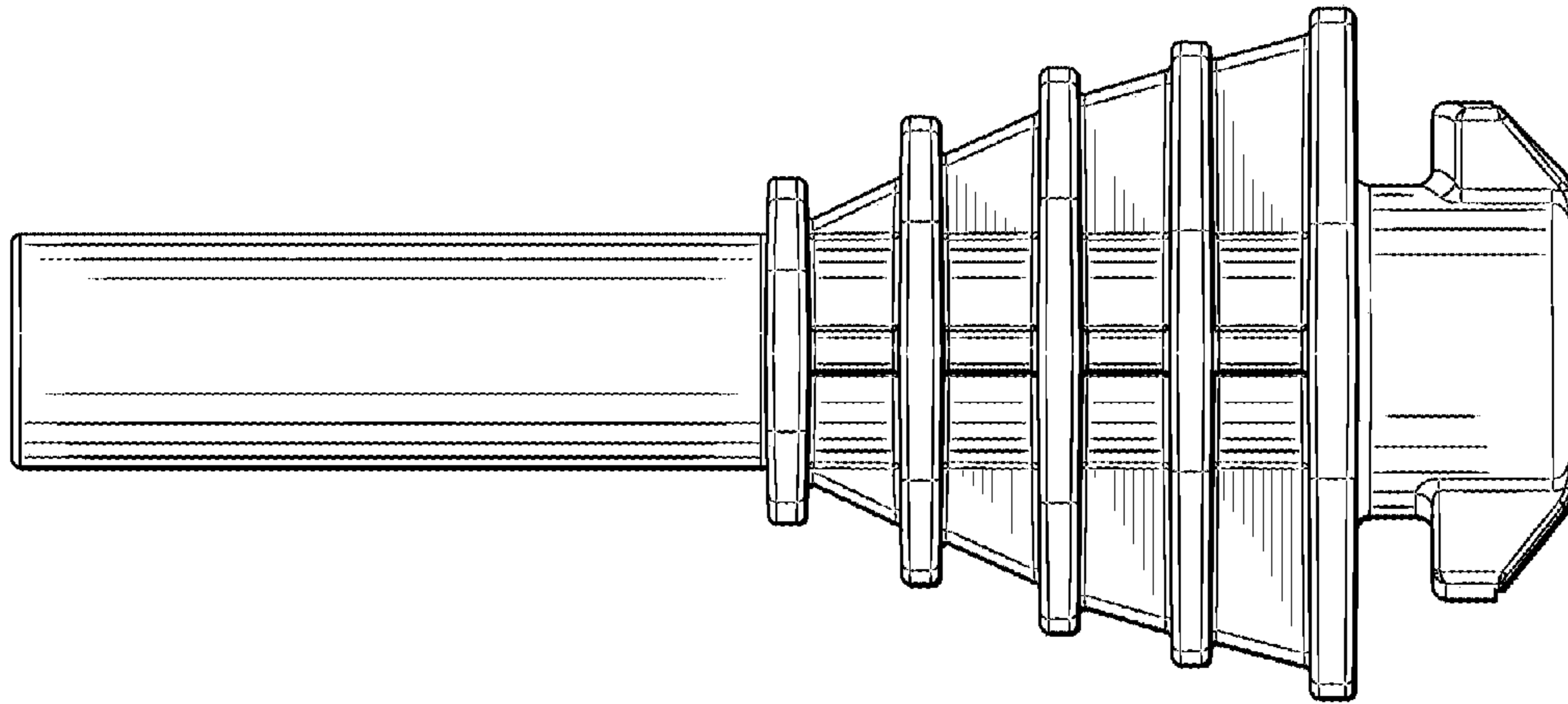


FIG. 7

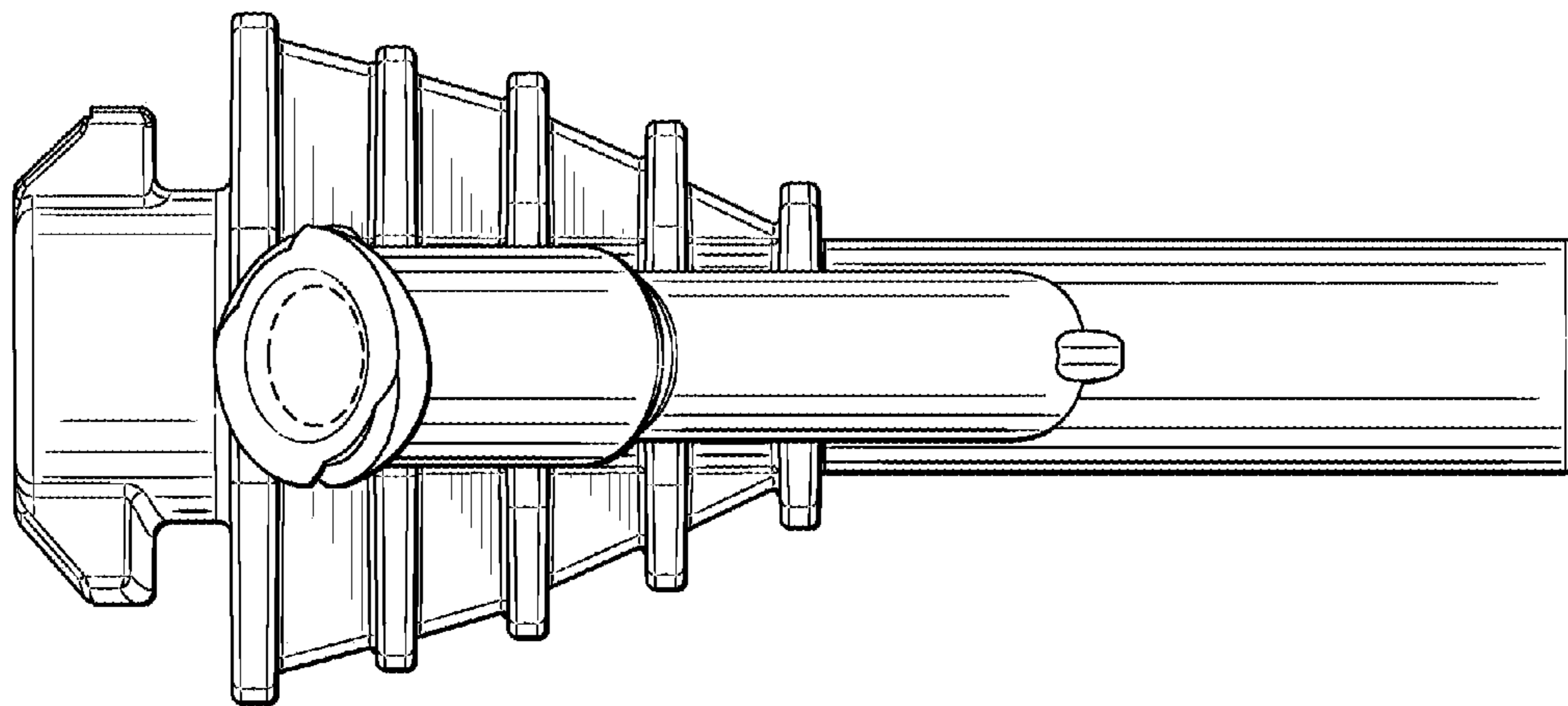


FIG. 8