



US00D734454S

(12) **United States Design Patent**
Sharpe

(10) **Patent No.:** **US D734,454 S**
(45) **Date of Patent:** **** Jul. 14, 2015**

(54) **CUP OF A SAMPLE COLLECTION ASSISTANCE DEVICE**

(71) Applicant: **Tamara Sharpe**, Charlotte, NC (US)

(72) Inventor: **Tamara Sharpe**, Charlotte, NC (US)

(**) Term: **14 Years**

(21) Appl. No.: **29/458,232**

(22) Filed: **Jun. 17, 2013**

(51) **LOC (10) Cl.** **24-04**

(52) **U.S. Cl.**
USPC **D24/128**

(58) **Field of Classification Search**
USPC D24/108, 117, 122, 127, 128, 224;
D7/620; D9/455; 604/223, 317, 322,
604/311; 220/737; 248/300, 311.2, 214;
600/573; 422/557, 560, 561, 566;
215/396

See application file for complete search history.

(56) **References Cited**

U.S. PATENT DOCUMENTS

2,979,301	A *	4/1961	Reveal	248/214
D226,623	S	4/1973	Shuford	
4,557,452	A	12/1985	Khuong	
4,844,400	A *	7/1989	Jasmagy, Jr.	248/311.2
D306,544	S	3/1990	Anderson	
5,174,965	A *	12/1992	Jones et al.	422/557
5,199,678	A *	4/1993	Luebke	248/311.2
5,202,094	A *	4/1993	Jones et al.	422/561
5,325,991	A	7/1994	Williams	
5,492,220	A	2/1996	Estay	
D379,655	S *	6/1997	Savignac	D24/122
5,938,160	A *	8/1999	Hartmann et al.	248/311.2
6,260,811	B1	7/2001	O'Neil	
D478,479	S *	8/2003	Garvin	D7/620
6,719,951	B1 *	4/2004	Griffith	422/557
D493,072	S	7/2004	Palmer	
6,883,765	B2	4/2005	Lozano et al.	
D511,439	S *	11/2005	Roybal	D7/620
D625,150	S *	10/2010	Ciarrocchi, Jr.	D7/600.1
2002/0179794	A1	12/2002	Yang	
2003/0197104	A1 *	10/2003	Heybl et al.	248/311.2

2004/0200943	A1 *	10/2004	Rokov	248/311.2
2005/0051690	A1	3/2005	Phillips et al.	
2008/0140032	A1	6/2008	O'Malley	
2009/0076413	A1 *	3/2009	Robles	600/573
2009/0206098	A1 *	8/2009	Garahan	220/737
2013/0026336	A1 *	1/2013	Beckey et al.	248/692
2014/0117183	A1 *	5/2014	McClure	248/311.2

OTHER PUBLICATIONS

Dynalon Labware, Plastic Laboratory Labware, Dynalab Corporation, http://www.dynalabcorp.com/documents/Dynalon2001_LR.pdf @2013.

* cited by examiner

Primary Examiner — Ian Simmons
Assistant Examiner — Samantha Q Lawrence
(74) *Attorney, Agent, or Firm* — Moore & Van Allen PLLC; Patrick B. Horne

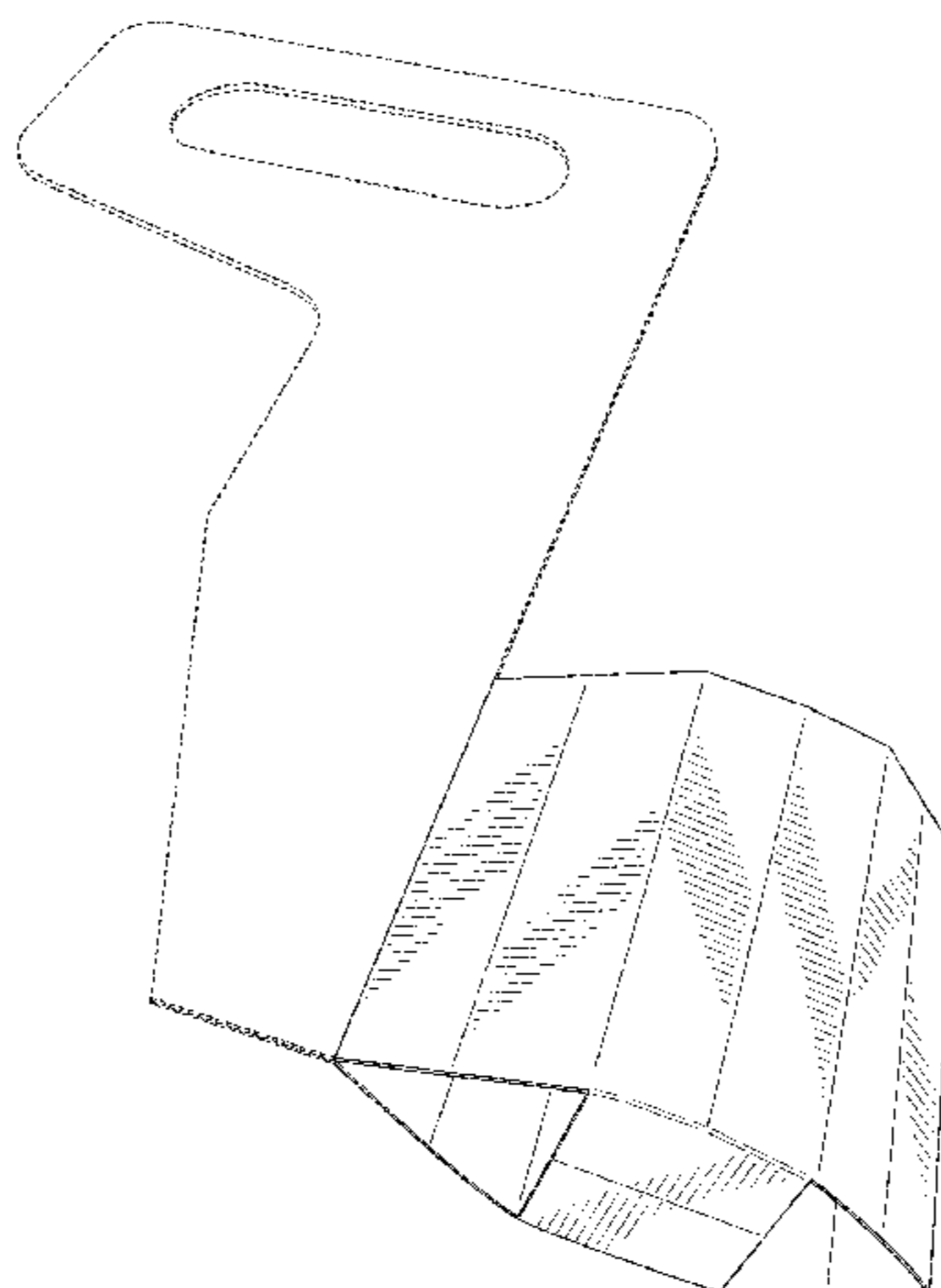
(57) **CLAIM**

The ornamental design for a cup of a sample collection assistance device, as shown and described.

DESCRIPTION

FIG. 1 is a perspective view of a cup of a sample collection assistance device;
FIG. 2 is a front view of the cup of a sample collection assistance device of FIG. 1;
FIG. 3 is a rear view of the cup of a sample collection assistance device of FIG. 1;
FIG. 4 is a first side view of the cup of a sample collection assistance device of FIG. 1;
FIG. 5 is a second side view of the cup of a sample collection assistance device of FIG. 1;
FIG. 6 is a top plan view of the cup of a sample collection assistance device of FIG. 1; and,
FIG. 7 is a bottom plan view of the cup of a sample collection assistance device of FIG. 1.
The broken lines shown in FIGS. 1-7 illustrate portions of the cup of a sample collection assistance device that form no part of the claimed design.

1 Claim, 5 Drawing Sheets



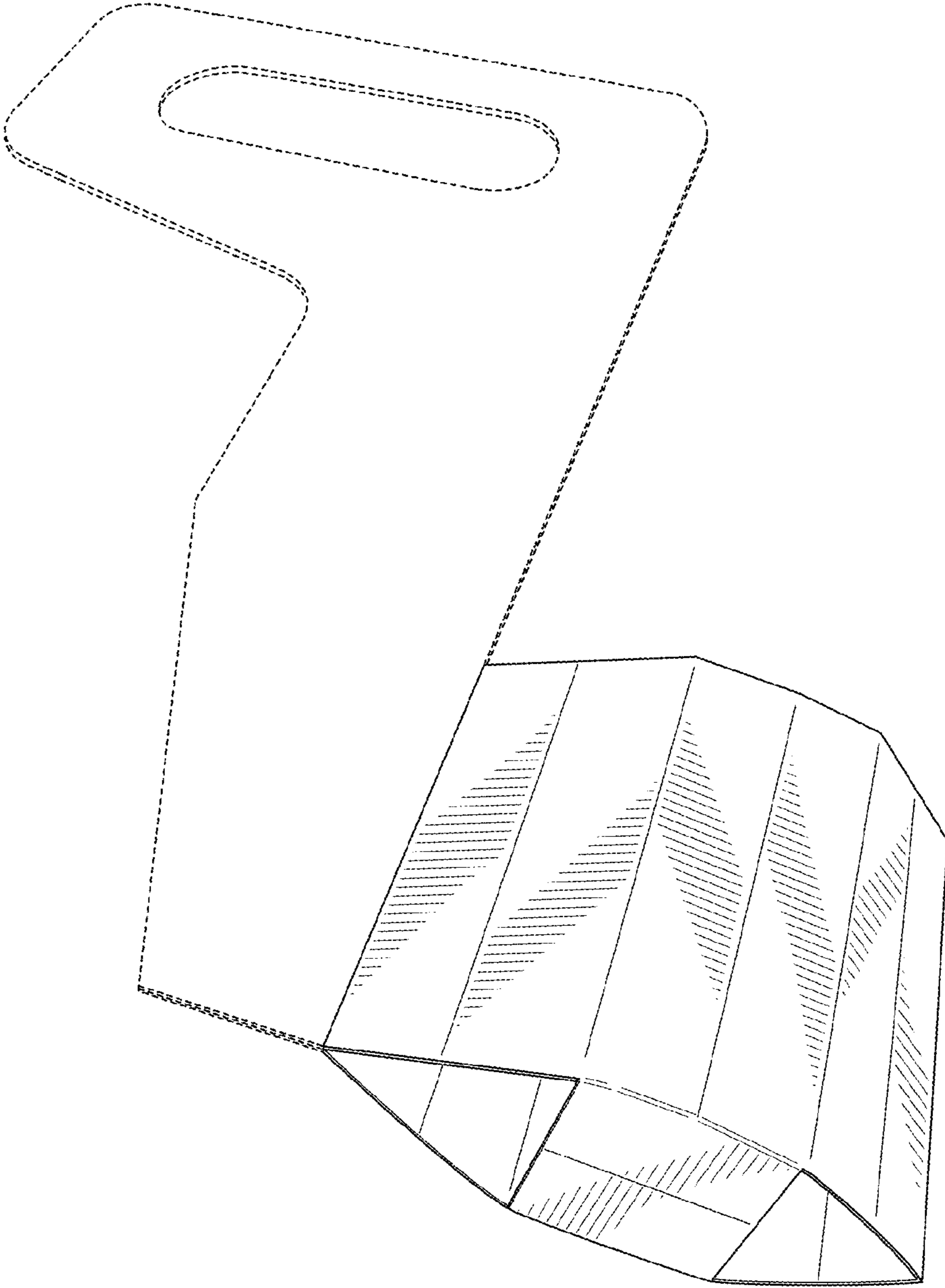


FIG. 1

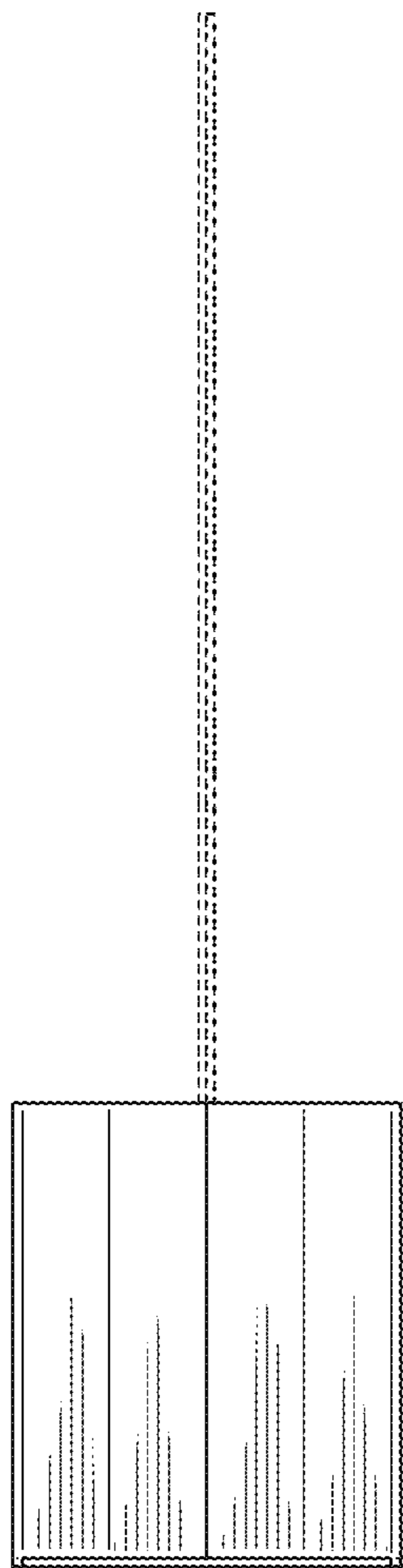


FIG. 2

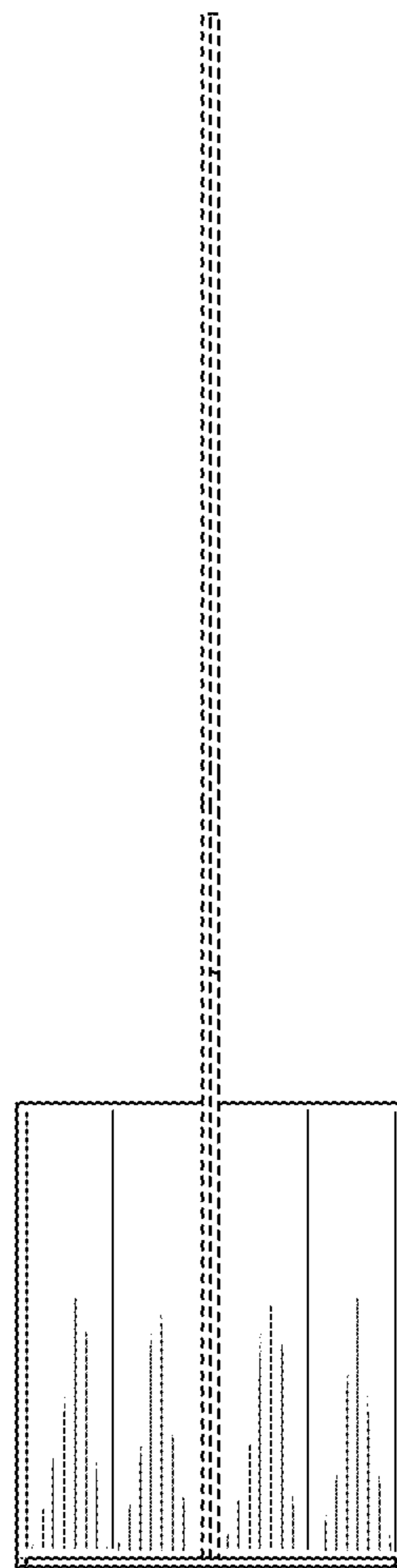


FIG. 3

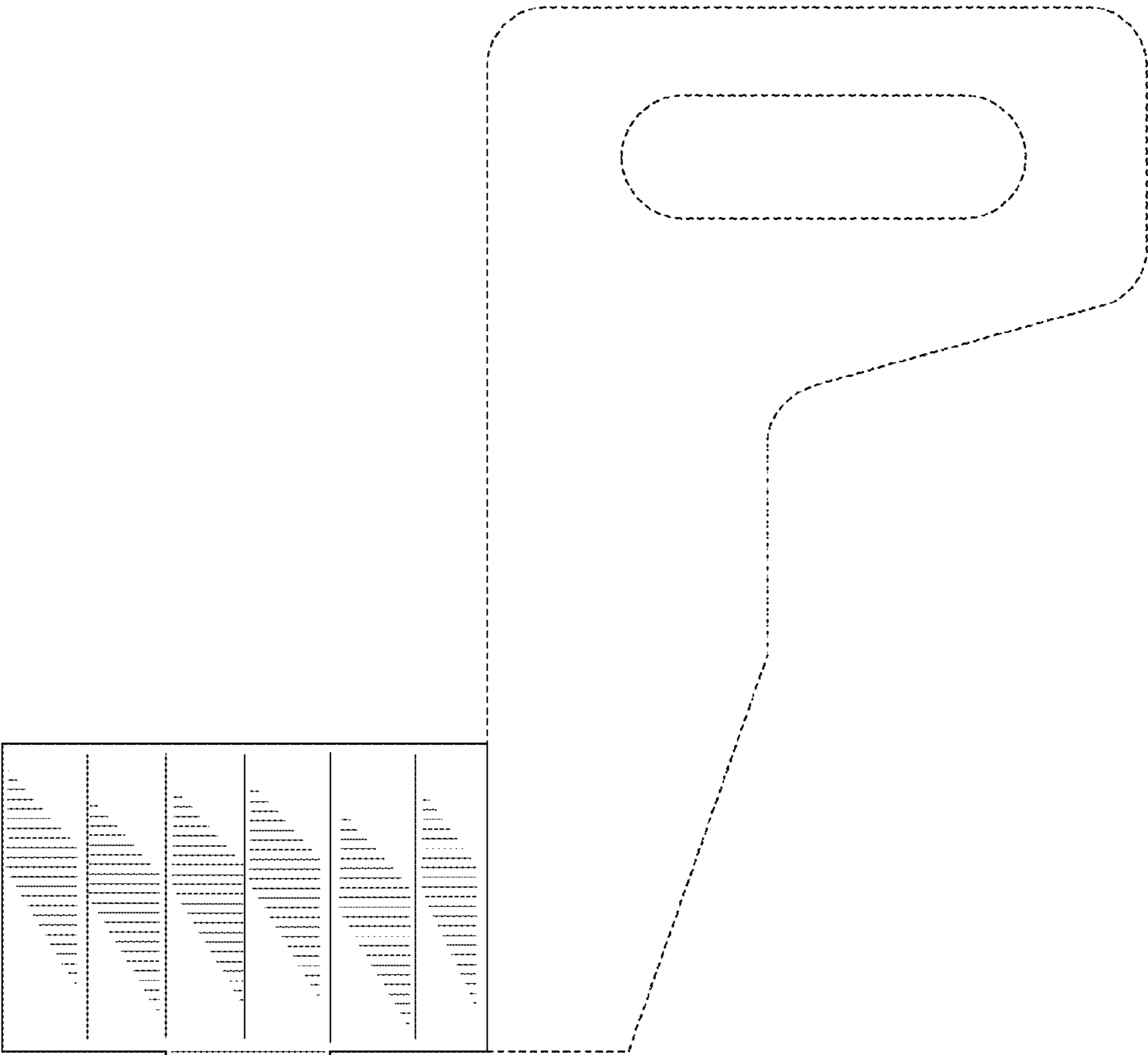


FIG. 4

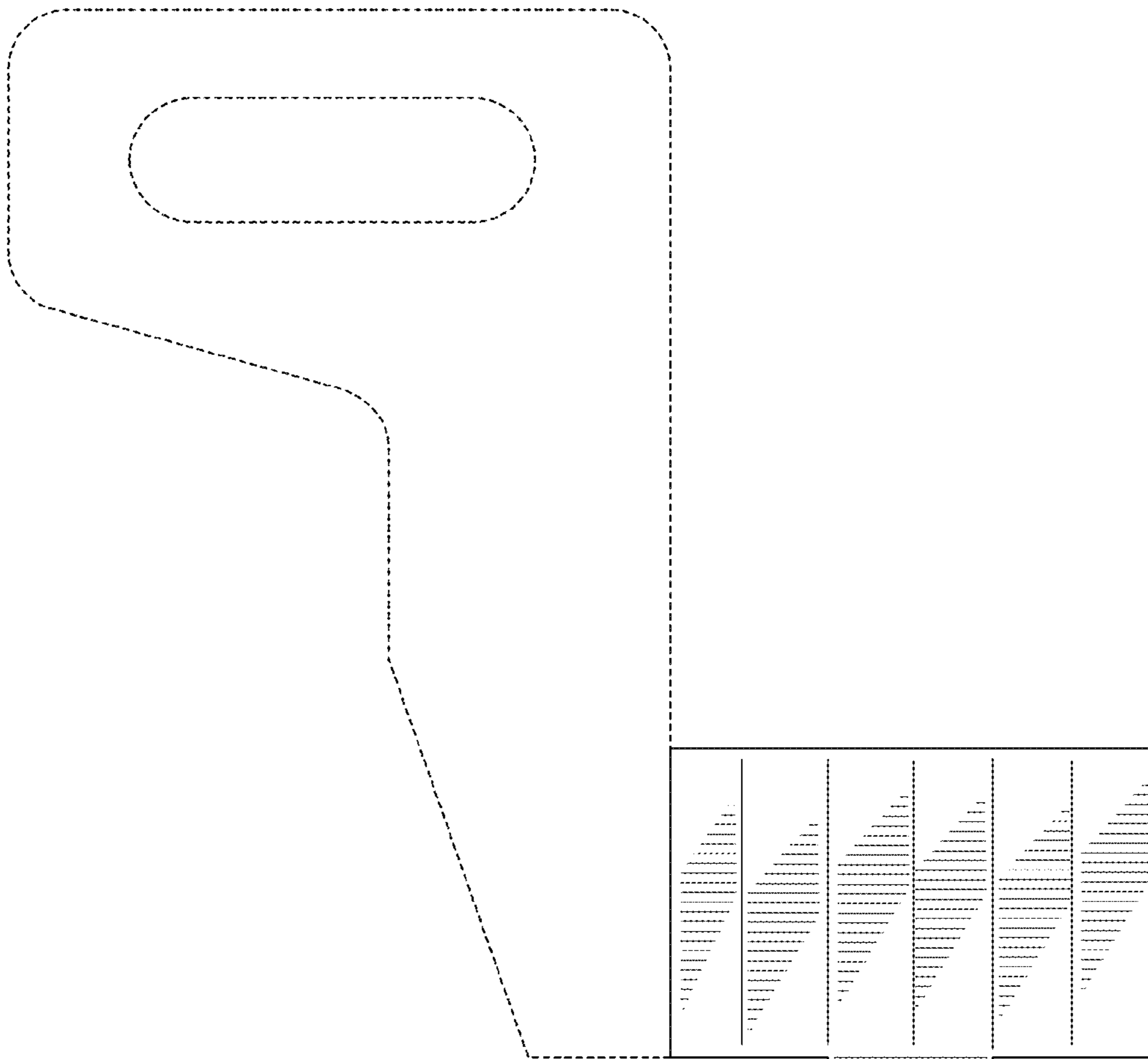


FIG. 5

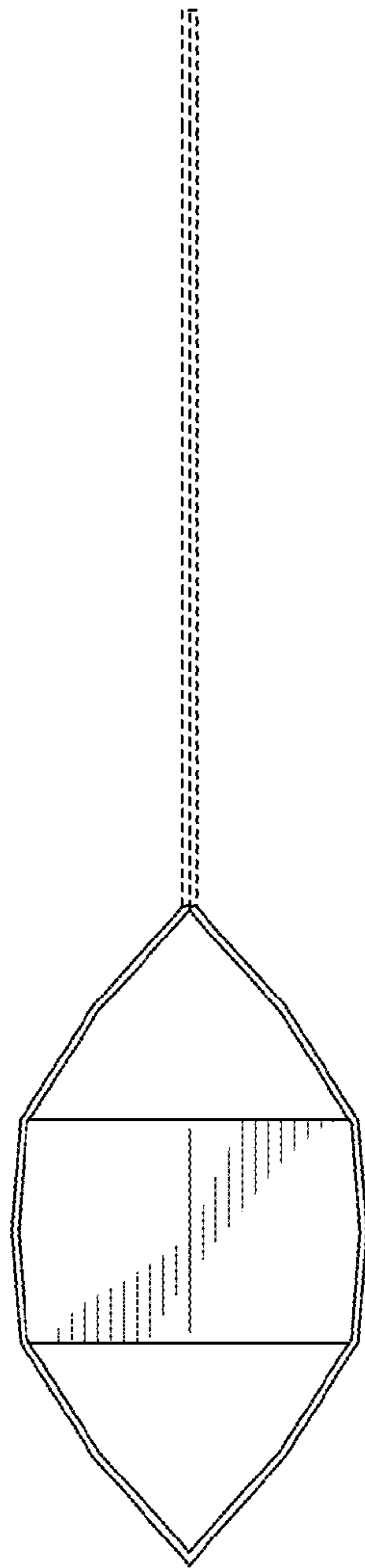


FIG. 6

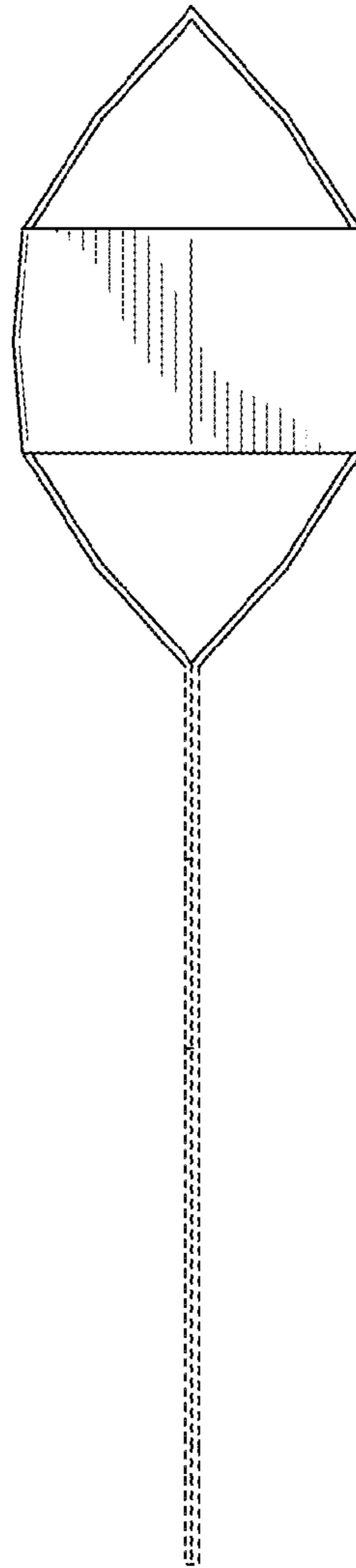


FIG. 7