



US00D734453S

(12) **United States Design Patent**  
**Sharpe**

(10) **Patent No.:** **US D734,453 S**  
(45) **Date of Patent:** **\*\* Jul. 14, 2015**

(54) **HANDLE OF A SAMPLE COLLECTION ASSISTANCE DEVICE**

D720,587 S \* 1/2015 Derochers ..... D8/45  
2002/0179794 A1 12/2002 Yang  
2003/0197104 A1\* 10/2003 Heybl et al. .... 248/311.2

(71) Applicant: **Tamara Sharpe**, Charlotte, NC (US)

(Continued)

(72) Inventor: **Tamara Sharpe**, Charlotte, NC (US)

**OTHER PUBLICATIONS**

(\*\*) Term: **14 Years**

Dynalon Labware, Plastic Laboratory Labware, Dynalab Corporation, [http://www.dynalabcorp.com/documents/Dynalon2011\\_LR.pdf](http://www.dynalabcorp.com/documents/Dynalon2011_LR.pdf).

(21) Appl. No.: **29/458,231**

*Primary Examiner* — Ian Simmons

(22) Filed: **Jun. 17, 2013**

*Assistant Examiner* — Samantha Q Lawrence

(51) **LOC (10) Cl.** ..... **24-04**

(74) *Attorney, Agent, or Firm* — Moore & Van Allen, PLLC; Patrick B. Home

(52) **U.S. Cl.**

USPC ..... **D24/128**

(58) **Field of Classification Search**

(57) **CLAIM**

USPC ..... D24/108, 117, 122, 127, 128, 224, 133;  
D7/620; D9/455; 604/322, 317, 311;  
220/737; 248/300, 311.2, 214;  
600/573; 422/557, 560, 561, 566;  
215/396

The ornamental design for a handle of a sample collection assistance device, as shown and described.

See application file for complete search history.

**DESCRIPTION**

(56) **References Cited**

**U.S. PATENT DOCUMENTS**

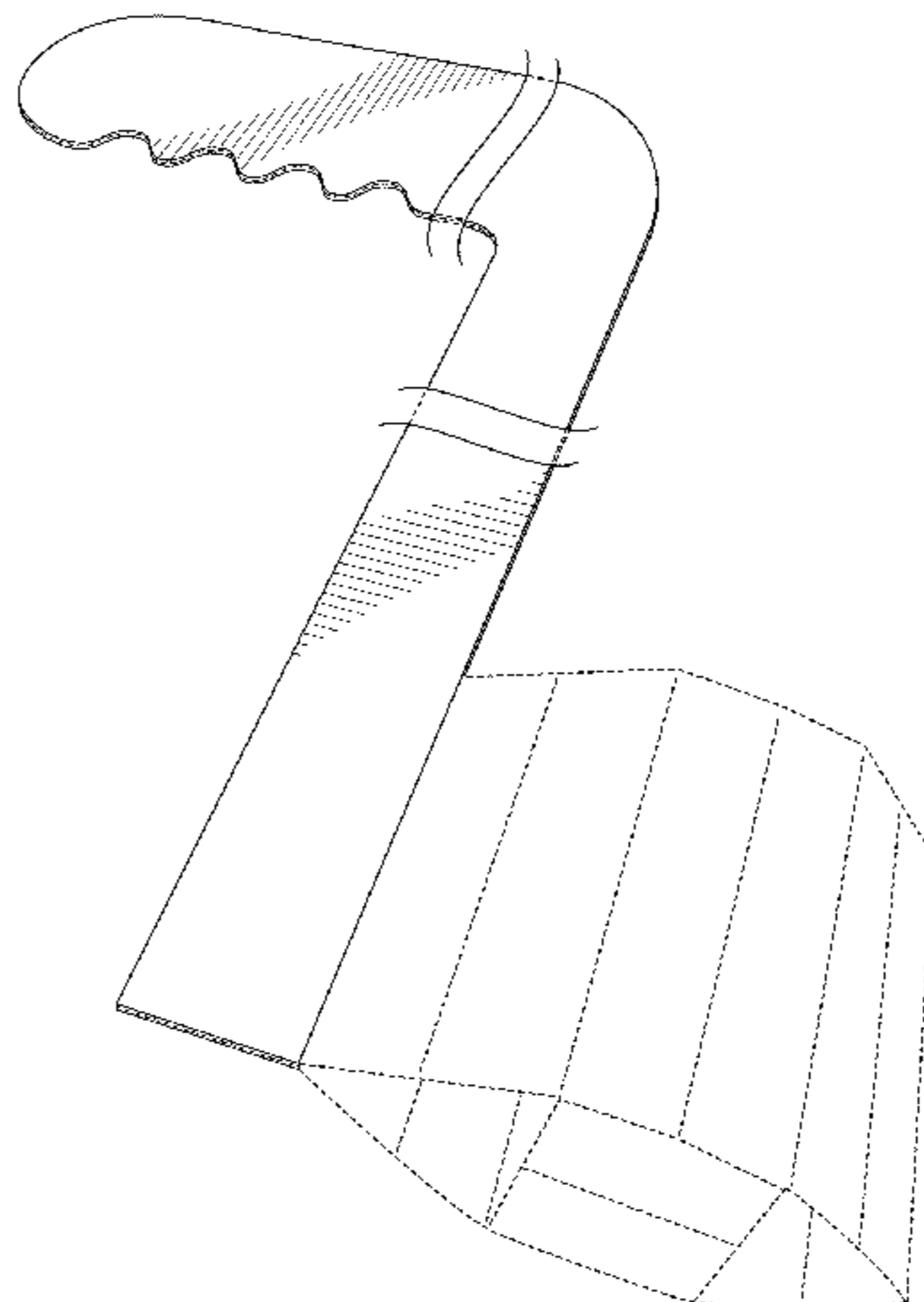
2,979,301	A *	4/1961	Reveal	248/214
D226,623	S	4/1973	Shuford	
4,557,452	A	12/1985	Khuong	
4,844,400	A *	7/1989	Jasmagy, Jr.	248/311.2
D306,544	S	3/1990	Anderson	
5,174,965	A *	12/1992	Jones et al.	422/557
5,199,678	A *	4/1993	Luebke	248/311.2
5,202,094	A *	4/1993	Jones et al.	422/561
5,325,991	A	7/1994	Williams	
5,492,220	A	2/1996	Estay	
D379,655	S *	6/1997	Savignac	D24/122
5,938,160	A *	8/1999	Hartmann et al.	248/311.2
6,260,811	B1	7/2001	O'Neil	
D478,479	S *	8/2003	Garvin	D7/620
6,719,951	B1 *	4/2004	Griffith	422/557
D493,072	S	7/2004	Palmer	
6,883,765	B2	4/2005	Lozano et al.	
D511,439	S *	11/2005	Roybal	D7/620
D554,965	S *	11/2007	Moore	D8/102
D625,150	S *	10/2010	Ciarrocchi, Jr.	D7/600.1

FIG. 1 is a perspective view of a handle of a sample collection assistance device;  
FIG. 2 is a front view of the handle of a sample collection assistance device of FIG. 1;  
FIG. 3 is a rear view of the handle of a sample collection assistance device of FIG. 1;  
FIG. 4 is a first side view of the handle of a sample collection assistance device of FIG. 1;  
FIG. 5 is a second side view of the handle of a sample collection assistance device of FIG. 1;  
FIG. 6 is a top view of the handle of a sample collection assistance device of FIG. 1; and,  
FIG. 7 is a bottom view of the handle of a sample collection assistance device of FIG. 1.

The handle of a sample collection assistance device is shown with a symbolic break in its length. The appearance of any portion of the article between the break lines forms no part of the claimed design.

The broken lines shown in FIGS. 1-7 illustrate portions of the handle of a sample collection assistance device that form no part of the claimed design.

**1 Claim, 5 Drawing Sheets**



(56)

**References Cited**

U.S. PATENT DOCUMENTS

2005/0051690 A1 3/2005 Phillips et al.  
2008/0140032 A1 6/2008 O'Malley

2009/0076413 A1\* 3/2009 Robles ..... 600/573  
2013/0026336 A1\* 1/2013 Beckey et al. .... 248/692  
2014/0117183 A1\* 5/2014 McClure ..... 248/311.2

\* cited by examiner

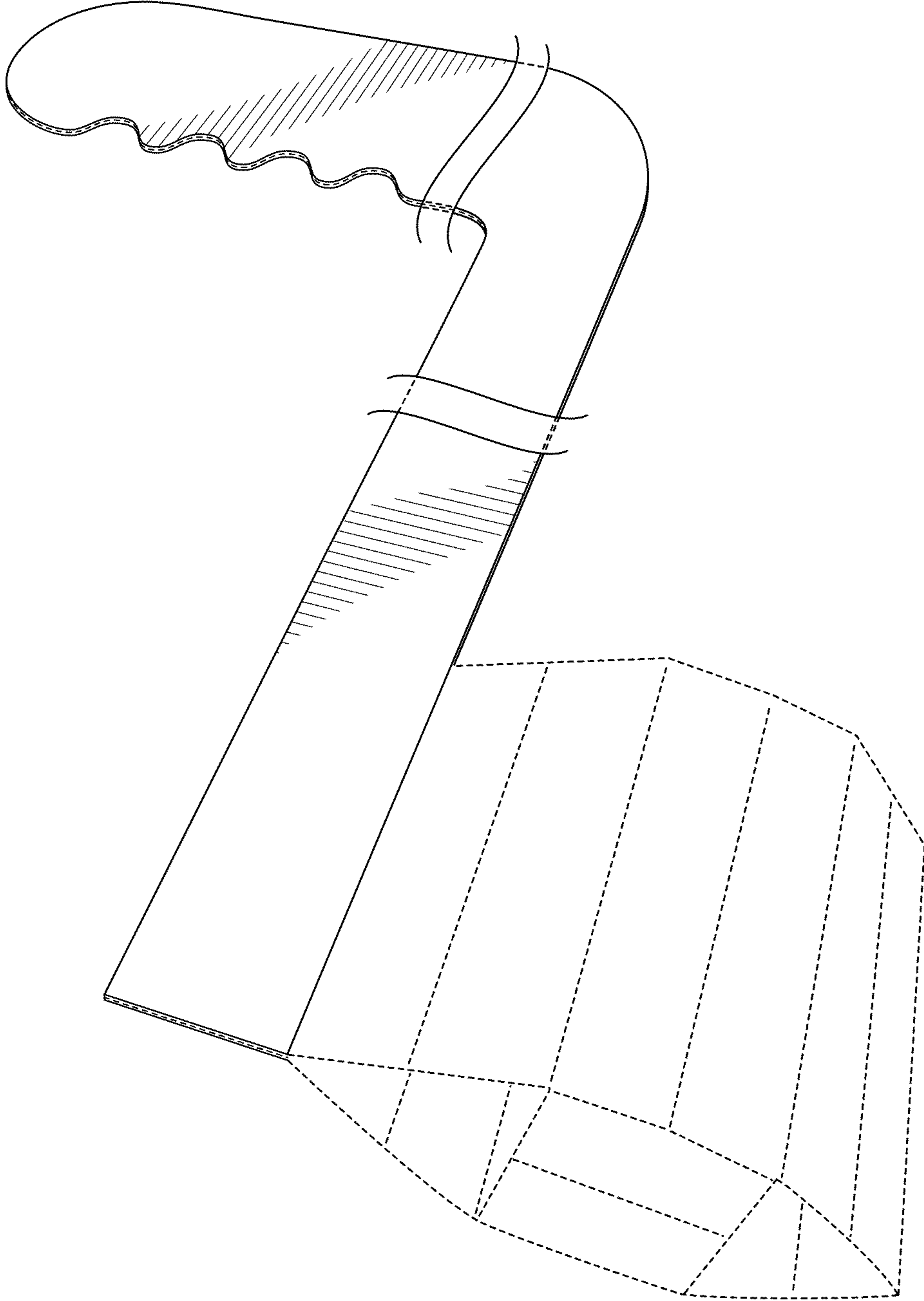
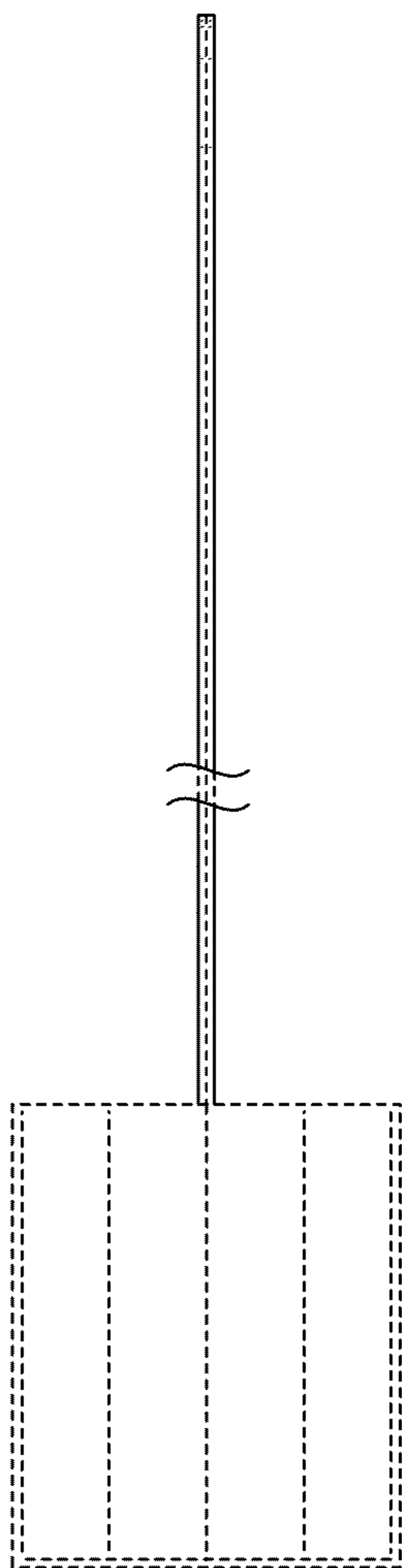
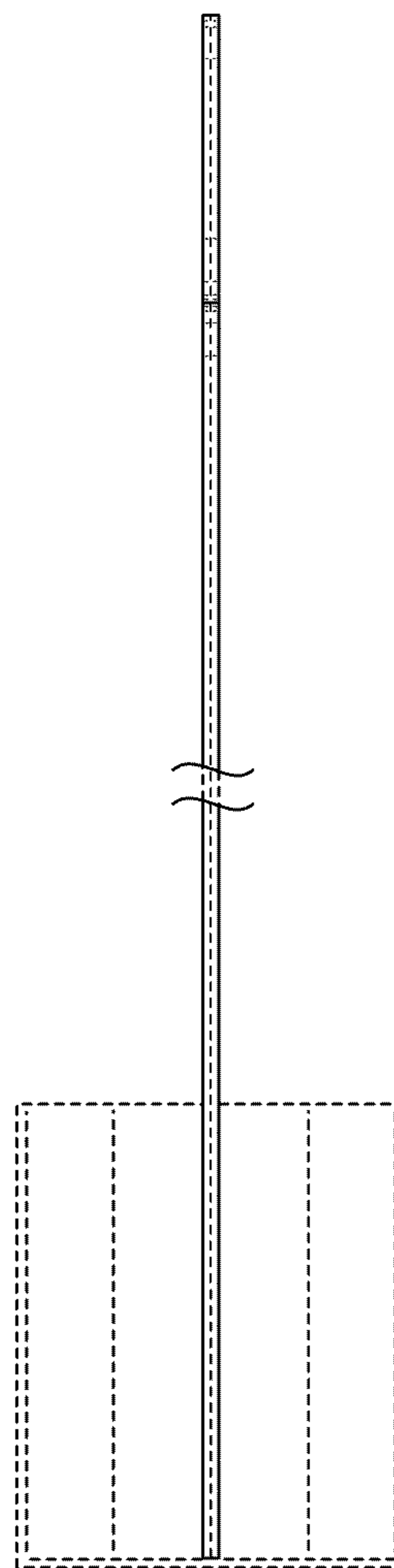


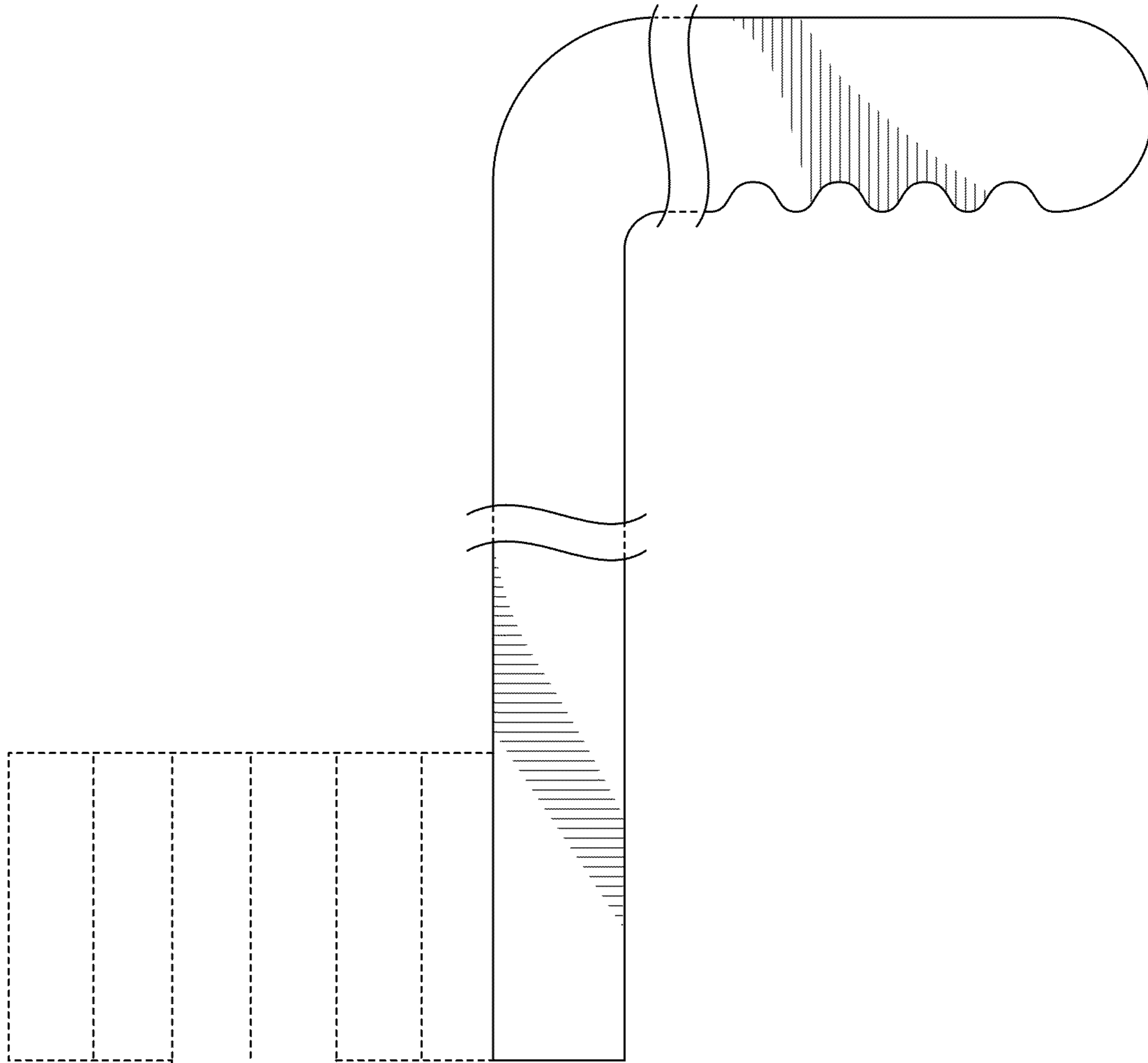
FIG. 1



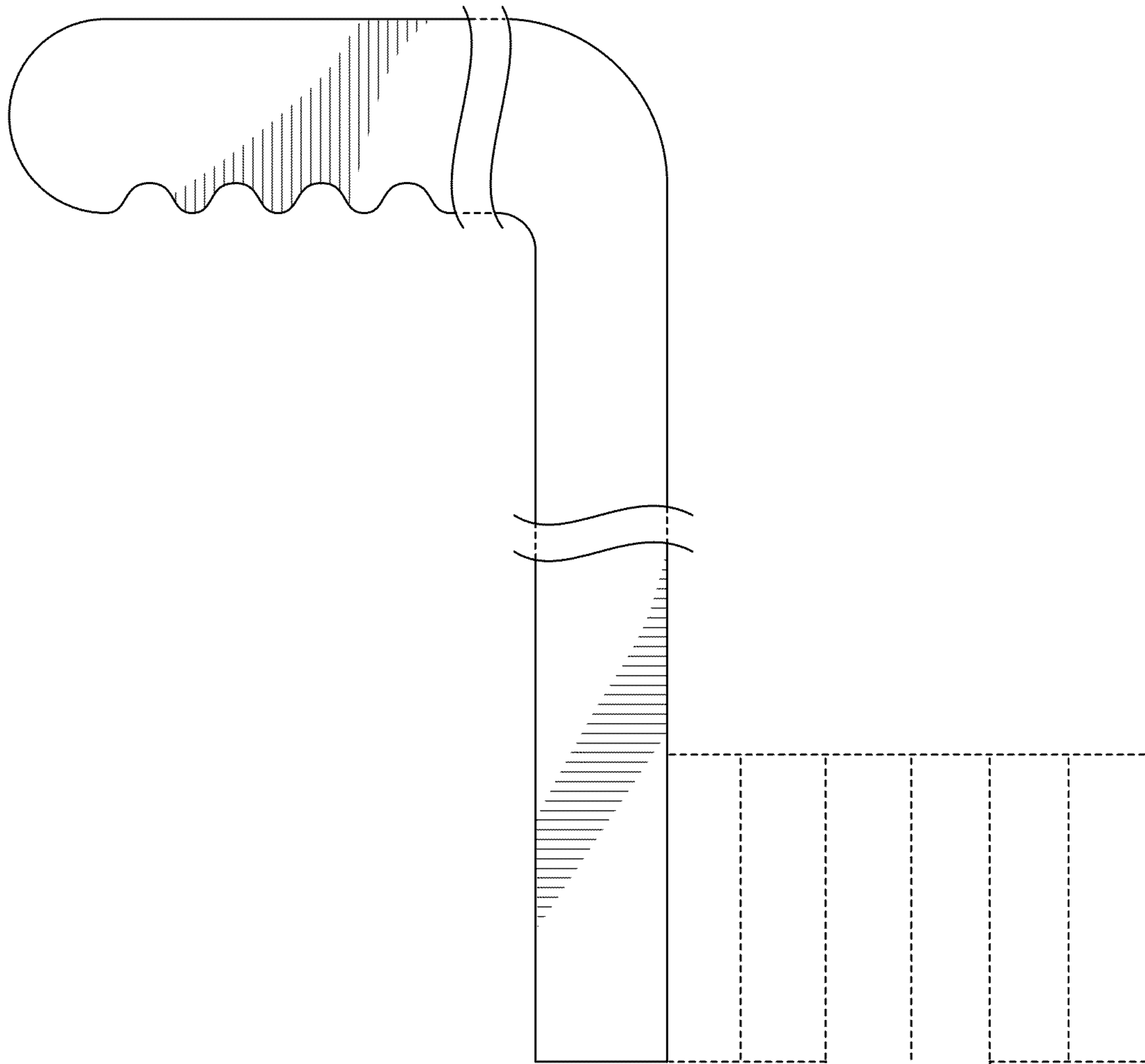
**FIG. 2**



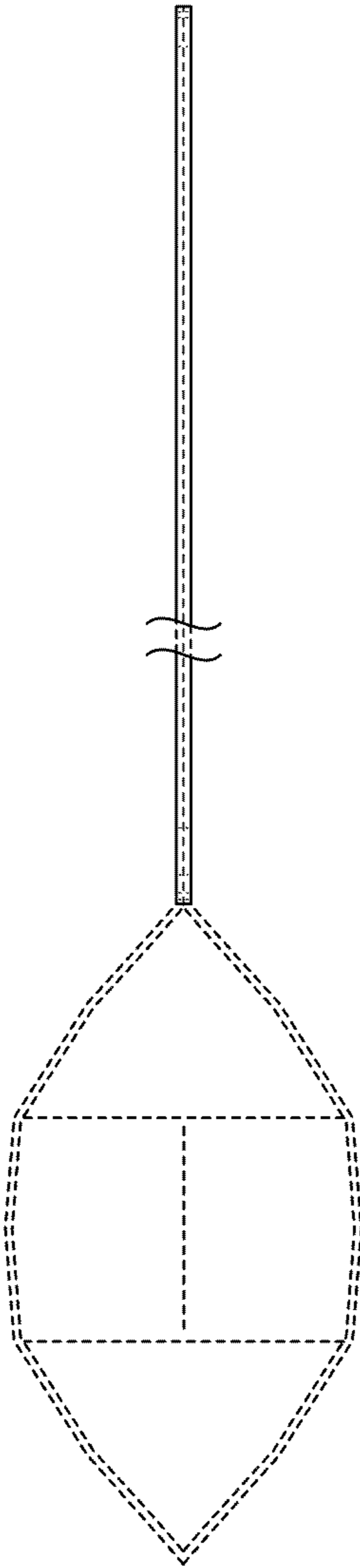
**FIG. 3**



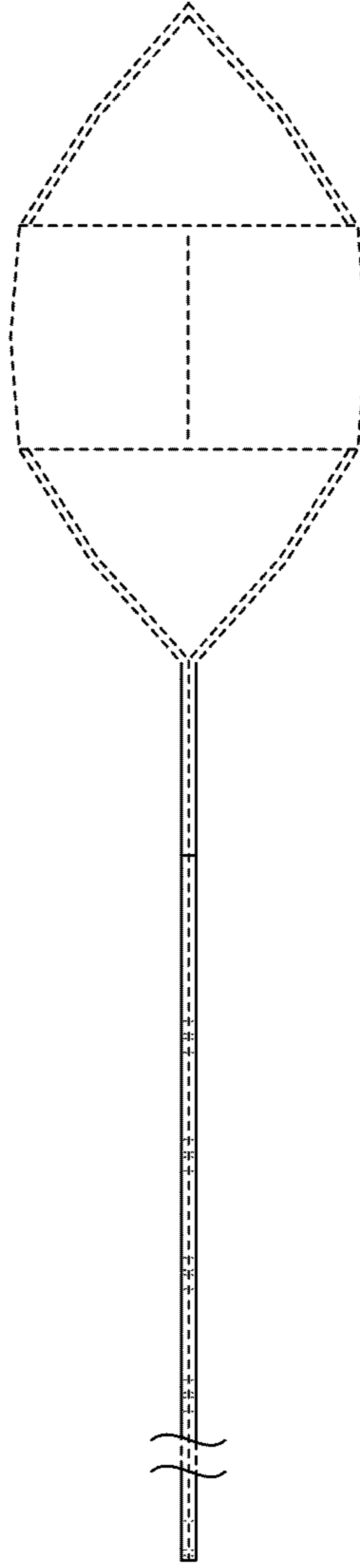
**FIG. 4**



**FIG. 5**



**FIG. 6**



**FIG. 7**