



US00D734451S

(12) **United States Design Patent**  
**Guney et al.**

(10) **Patent No.:** **US D734,451 S**  
(45) **Date of Patent:** **\*\* Jul. 14, 2015**

- (54) **TUBE RETAINER FOR A MASK**
- (71) Applicant: **ResMed Limited**, Bella Vista, New South Wales (AU)
- (72) Inventors: **Memduh Guney**, Killara (AU); **Michael Fu Pin Chen**, Malmo (SE)
- (73) Assignee: **RESMED LIMITED**, Bella Vista (AU)
- (\*\*) Term: **14 Years**
- (21) Appl. No.: **29/452,643**
- (22) Filed: **Apr. 19, 2013**

D397,790 S *	9/1998	Naganuma .....	D24/130
6,119,694 A	9/2000	Correa et al.	
D431,466 S *	10/2000	Wang .....	D9/434
6,431,172 B1	8/2002	Bordewick	
6,595,215 B2	7/2003	Wood	
D527,683 S *	9/2006	Turvey .....	D11/221
D542,912 S	5/2007	Gunaratnam	
D545,961 S	7/2007	Hitchcock et al.	
D546,441 S	7/2007	Hitchcock et al.	
D581,527 S *	11/2008	Jansen .....	D24/130
D586,907 S	2/2009	Davidson	
D586,911 S	2/2009	McAuley et al.	
D592,508 S *	5/2009	Perignon .....	D9/456
D625,996 S *	10/2010	Witty .....	D9/434
D630,382 S *	1/2011	Manzo et al. ....	D29/108
D637,279 S	5/2011	Guney et al.	
D710,506 S *	8/2014	Tolentino et al. ....	D24/181
2003/0196655 A1	10/2003	Ging	

(Continued)

**Related U.S. Application Data**

- (62) Division of application No. 29/371,471, filed on Mar. 11, 2011, now Pat. No. Des. 713,759, which is a division of application No. 29/290,776, filed on Jan. 11, 2008, now Pat. No. Des. 637,279.

- (51) **LOC (10) Cl.** ..... **29-02**
- (52) **U.S. Cl.**  
USPC ..... **D24/127; D24/110.1**

- (58) **Field of Classification Search**  
USPC ..... D24/127-131, 112-114, 133, 186, 181, D24/110, 110.1; 606/181, 185; 604/264, 604/272, 115, 232, 187, 158, 164.08, 192, 604/263, 163, 181, 184, 198, 227; 600/101, 600/139, 143; 128/200.24, 207.14, 207.15  
See application file for complete search history.

(56) **References Cited**

**U.S. PATENT DOCUMENTS**

2,763,263 A	9/1956	Ellman	
3,513,844 A	5/1970	Smith	
4,782,832 A	11/1988	Trimble	
5,386,821 A *	2/1995	Poterack .....	128/200.26
D372,980 S *	8/1996	Berger .....	D24/176
D377,090 S	12/1996	Lee	

**OTHER PUBLICATIONS**

Guney et al., Parent U.S. Appl. No. 29/371,471, filed Mar. 11, 2011.

*Primary Examiner* — David Muller

*Assistant Examiner* — Nathan Johnston

(74) *Attorney, Agent, or Firm* — Nixon & Vanderhye P.C.

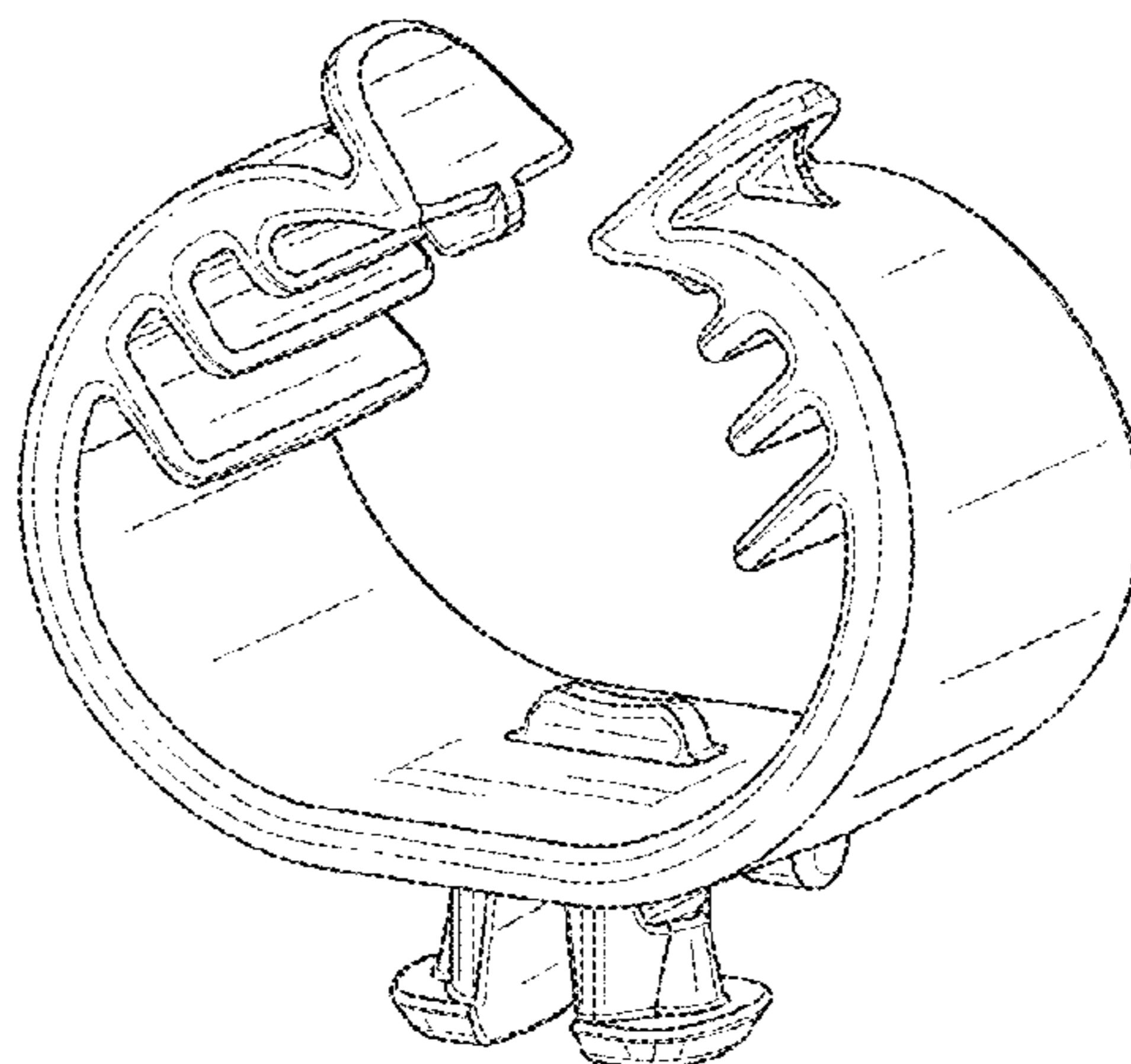
(57) **CLAIM**

The ornamental design for a tube retainer for a mask, as shown.

**DESCRIPTION**

FIG. 1 is a front perspective view of a tube retainer for a mask according to our design;  
 FIG. 2 is a front view thereof with the rear view being identical;  
 FIG. 3 is a top view thereof;  
 FIG. 4 is a bottom view thereof; and,  
 FIG. 5 is a left side view thereof with the right side view being identical.

**1 Claim, 1 Drawing Sheet**



(56)

**References Cited**

U.S. PATENT DOCUMENTS

2005/0011524 A1 1/2005 Thomlinson  
2005/0199241 A1 9/2005 Ging et al.  
2006/0162729 A1 7/2006 Ging et al.  
2008/0072909 A1 3/2008 Sherman

2008/0188799 A1\* 8/2008 Mueller-Beckhaus et al. . 604/88  
2009/0056721 A1\* 3/2009 Leboeuf et al. .... 128/207.14  
2009/0120442 A1 5/2009 Ho  
2009/0223518 A1 9/2009 Kwok et al.  
2009/0320851 A1 12/2009 Selvarajan et al.  
2011/0005531 A1\* 1/2011 Manzo ..... 128/862

\* cited by examiner

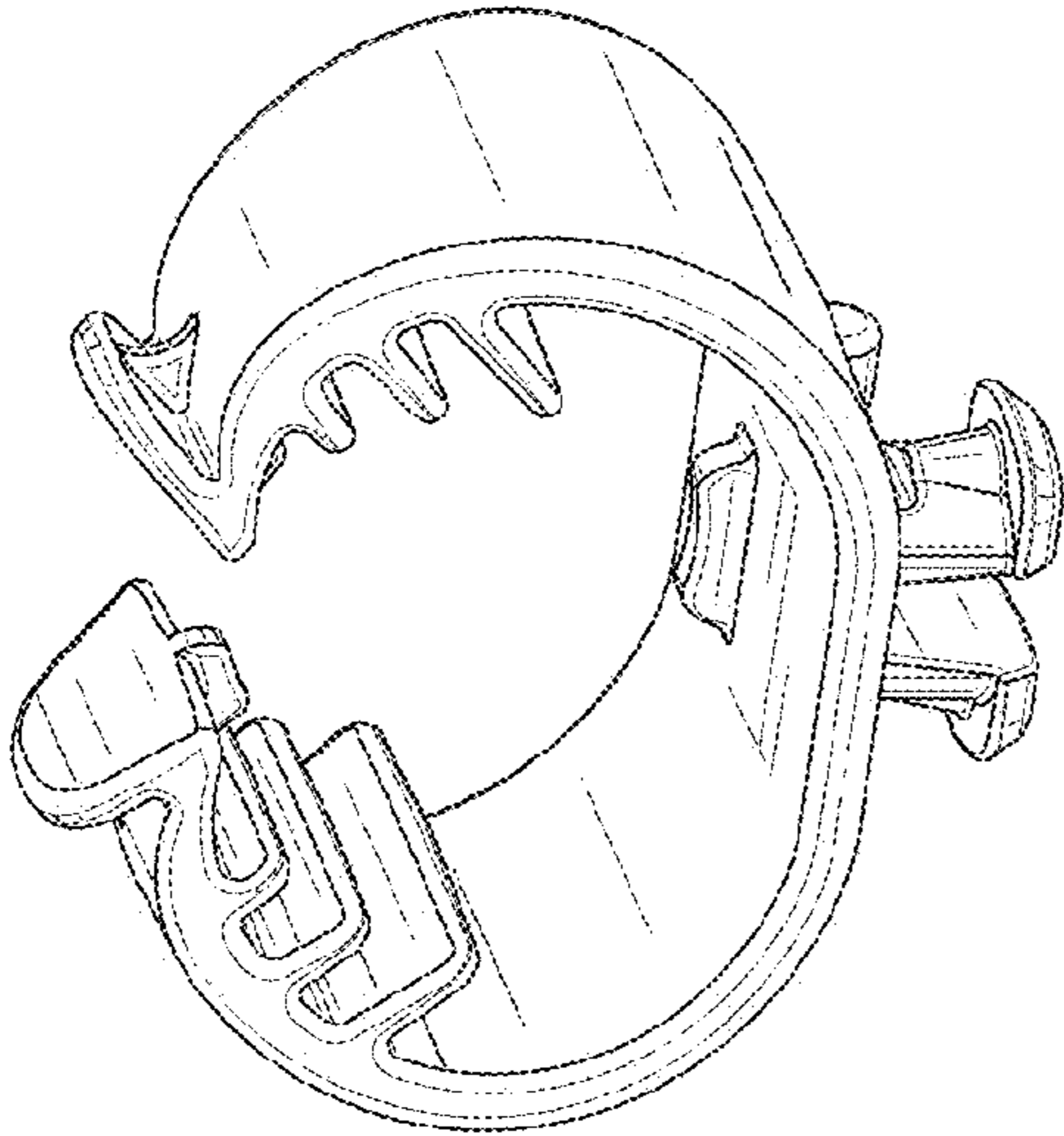


Fig. 1

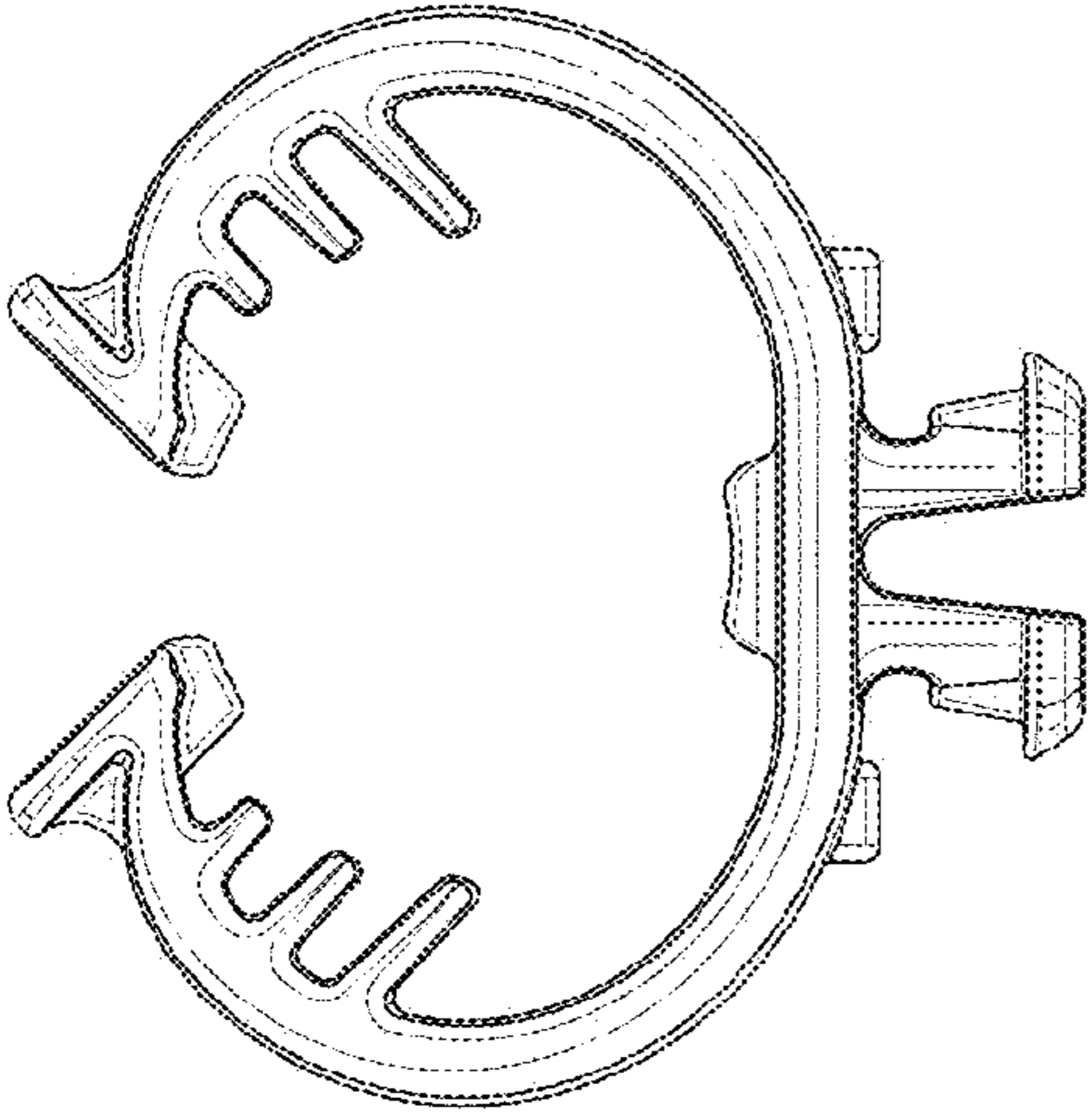


Fig. 2

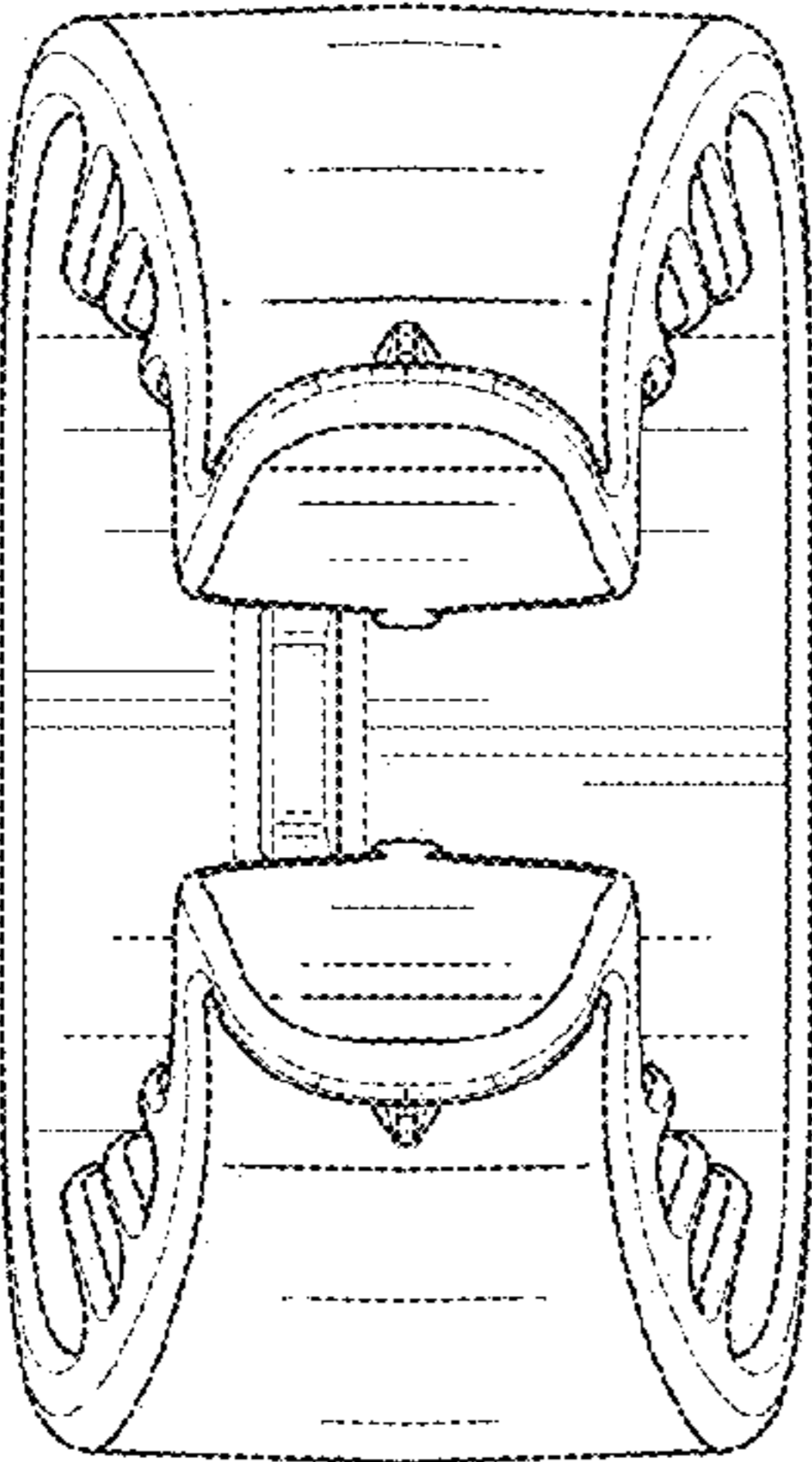


Fig. 3

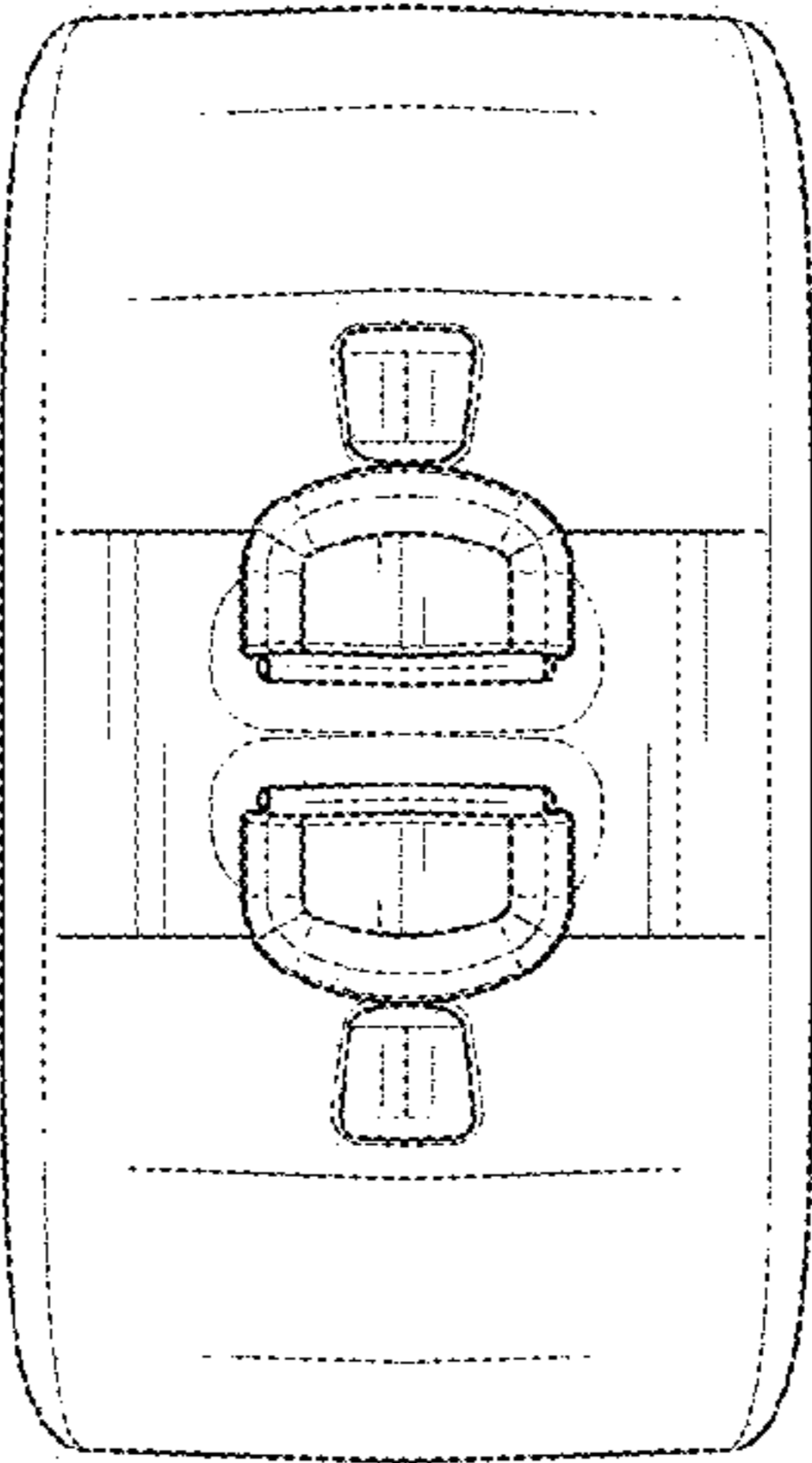


Fig. 4

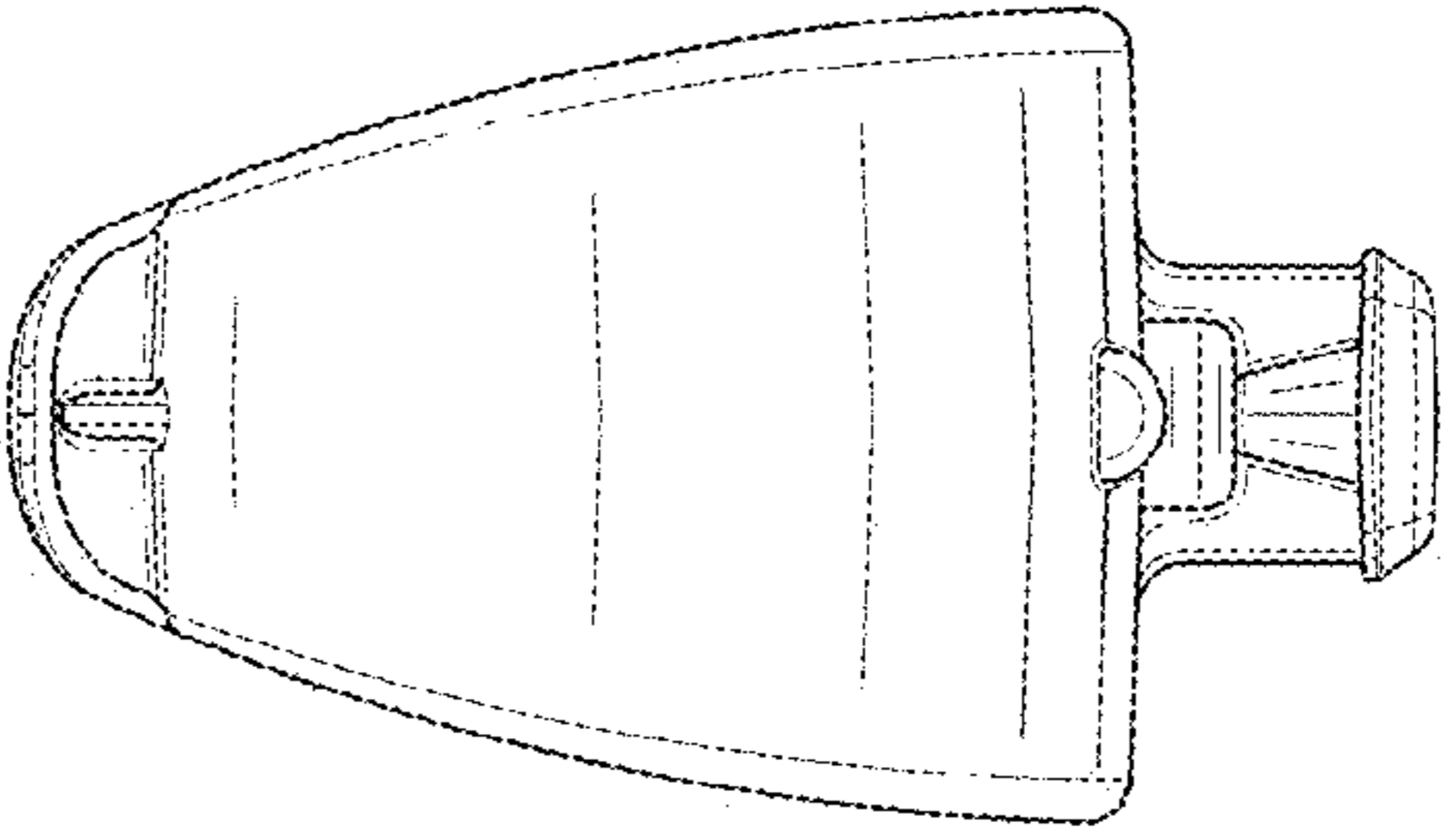


Fig. 5