



US00D734450S

(12) **United States Design Patent**
Geert-Jensen et al.

(10) **Patent No.:** **US D734,450 S**
(45) **Date of Patent:** **** Jul. 14, 2015**

(54) **INJECTION DEVICE**

(75) Inventors: **Anders Geert-Jensen**, Aarhus C (DK);
Emil Wegger Jensen, Aarhus C (DK)

(73) Assignee: **Novo Nordisk A/S** (DK)

(**) Term: **14 Years**

(21) Appl. No.: **29/419,158**

(22) Filed: **Apr. 25, 2012**

(30) **Foreign Application Priority Data**

Nov. 1, 2011 (EM) 001940834-0001

(51) **LOC (10) Cl.** **24-02**

(52) **U.S. Cl.**
USPC **D24/113**

(58) **Field of Classification Search**
USPC D24/112–114, 133, 186, 104, 130, 127;
606/181, 185; 604/232, 187, 158,
604/164.08, 192, 263, 163, 181, 184, 198,
604/227
See application file for complete search history.

(56) **References Cited**

U.S. PATENT DOCUMENTS

2,479,414	A	8/1949	Sanbonmatsu	
5,709,662	A *	1/1998	Olive et al.	604/135
D415,524	S	10/1999	Waldinger	
6,004,297	A	12/1999	Steenfeldt-Jensen et al.	
D452,271	S	12/2001	Owen et al.	
D479,599	S *	9/2003	Bainton	D24/114
D479,603	S *	9/2003	Tyce	D24/114
D479,747	S *	9/2003	Bainton	D24/114
D501,253	S	1/2005	Bainton	
6,899,699	B2	5/2005	Enggaard	
D551,341	S *	9/2007	Galbraith	D24/114
D554,291	S	10/2007	Darnell et al.	
D555,609	S *	11/2007	Galbraith	D24/114
D610,677	S *	2/2010	Tyce	D24/113
D611,539	S	3/2010	Zhang	
D612,486	S *	3/2010	Van der Stappen	D24/113
7,686,786	B2	3/2010	Moller et al.	

D619,702	S *	7/2010	Galbraith	D24/114
D623,732	S *	9/2010	Brady et al.	D24/113
D626,216	S *	10/2010	Tyce	D24/114
RE41,956	E	11/2010	Klitgaard et al.	
D628,642	S	12/2010	Tan	
D628,646	S	12/2010	Zhano	
D641,077	S *	7/2011	Sanders et al.	D24/113
D641,782	S	7/2011	Lira-Nunez et al.	
D651,305	S	12/2011	Hawley et al.	
D652,136	S *	1/2012	Hawley et al.	D24/113
D669,128	S	10/2012	Zhang	
D689,932	S	9/2013	Jin	

OTHER PUBLICATIONS

Designit Felxpro Design Literature, <http://designit.com/cases/pushing-our-design-into-new-territories>, downloaded from the Internet Sep. 8, 2011.

U.S. Appl. No. 29/401,214 of Anders Geert-Jensen titled "Injection Device" filed Sep. 8, 2011, amended Mar. 2, 2012 and Dec. 31, 2013.

U.S. Appl. No. 29/419,159 of Anders Geert-Jensen titled "Injection Device" filed Apr. 25, 2012, amended Jan. 10, 2014.

* cited by examiner

Primary Examiner — David Muller

(74) *Attorney, Agent, or Firm* — Saidman DesignLaw Group, LLC

(57) **CLAIM**

We claim the ornamental design for an injection device, as shown and described.

DESCRIPTION

FIG. 1 is a front view of an injection device showing our new design;

FIG. 2 is a rear view thereof;

FIG. 3 is a top view thereof;

FIG. 4 is a bottom view thereof;

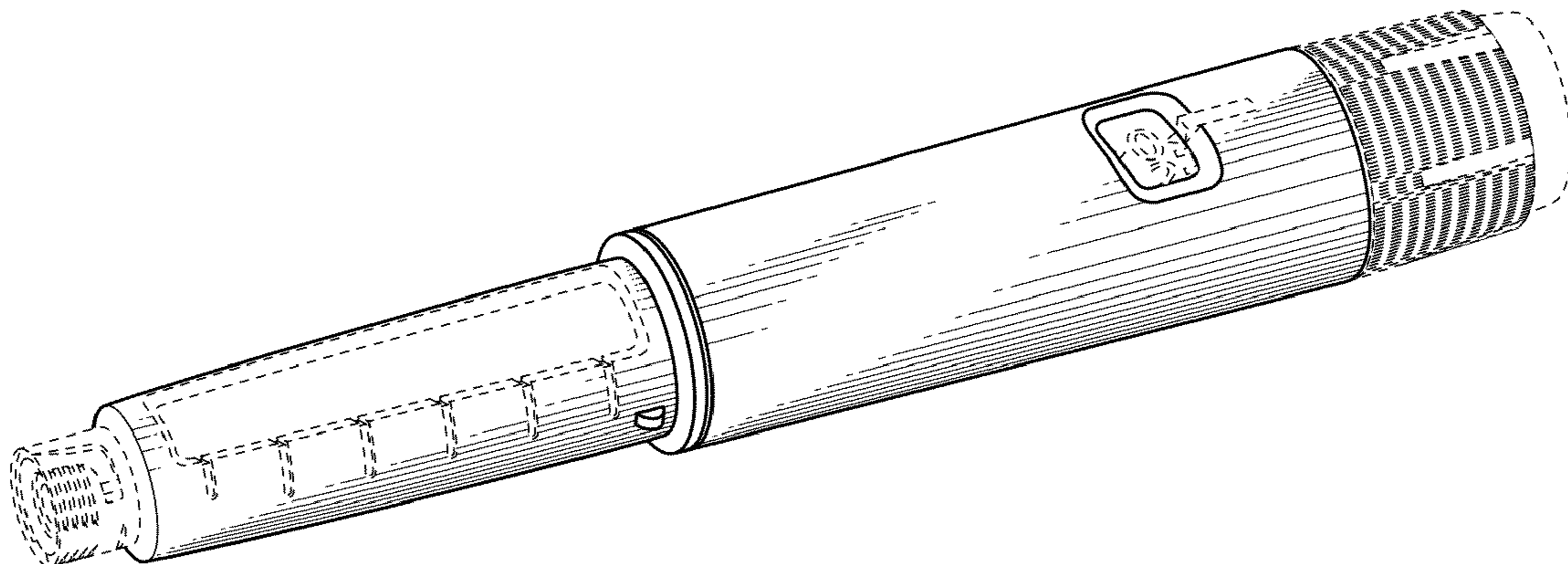
FIG. 5 is a front perspective view thereof;

FIG. 6 is a left side view thereof; and,

FIG. 7 is a right side view thereof.

The broken lines represent structure or features which form no part of the claimed design.

1 Claim, 3 Drawing Sheets



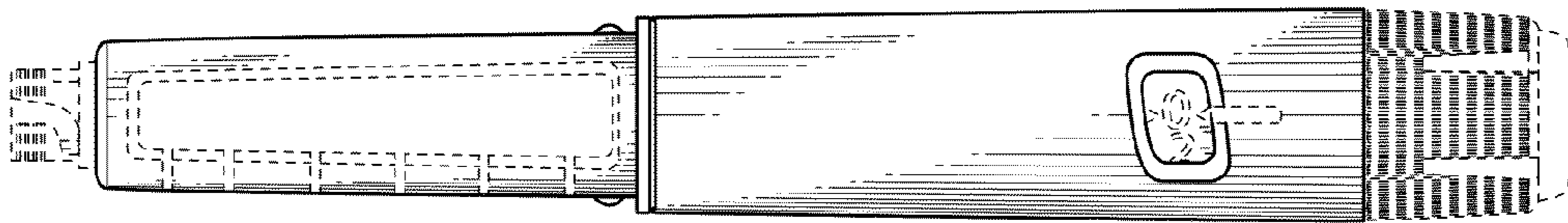


FIG. 1

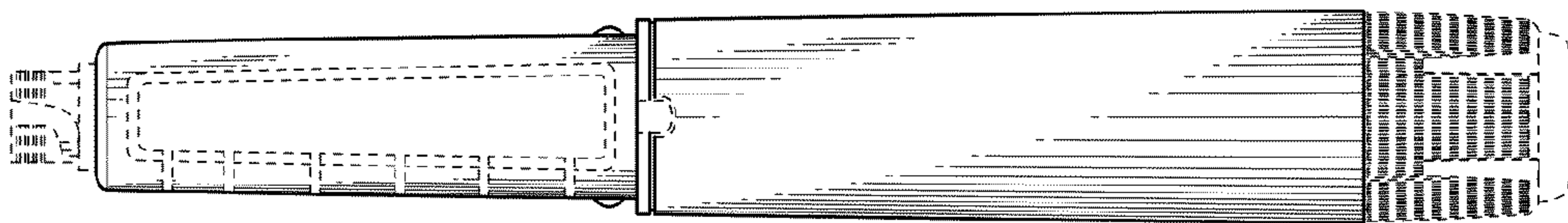


FIG. 2

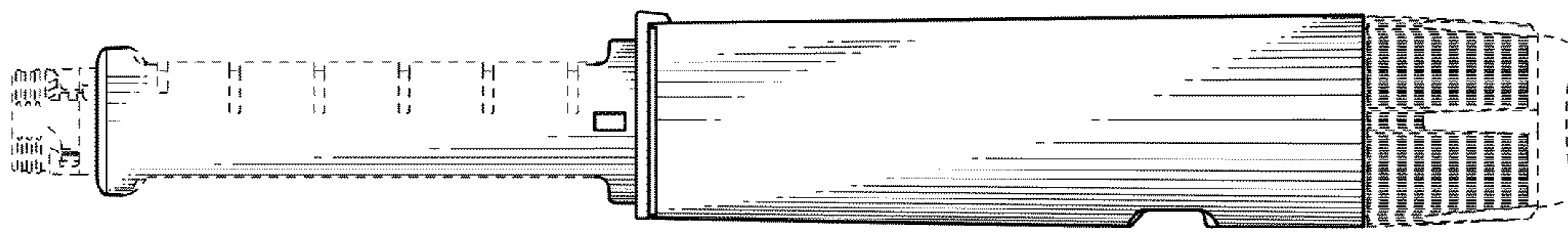


FIG. 3

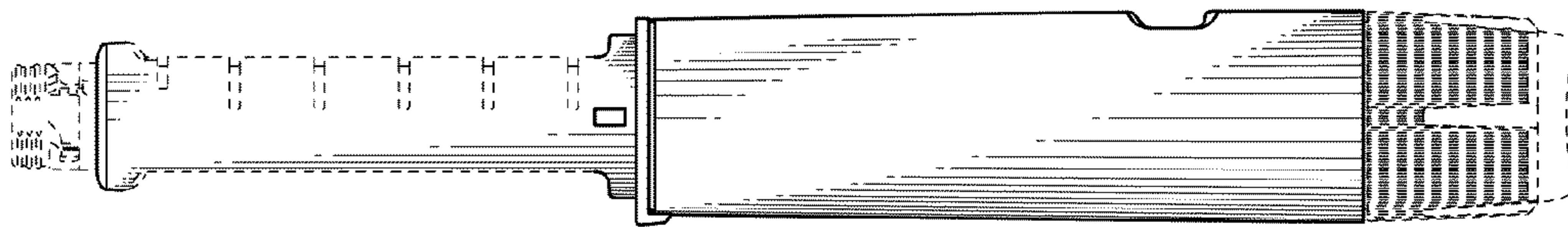


FIG. 4

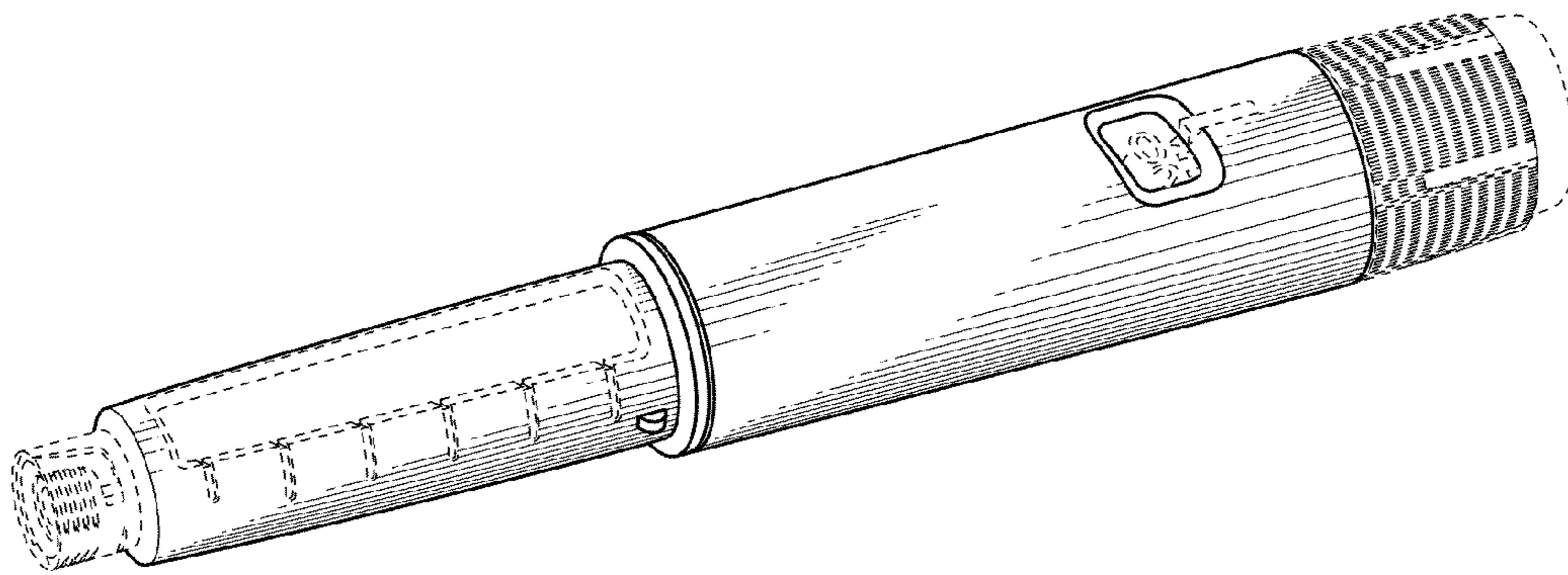


FIG. 5

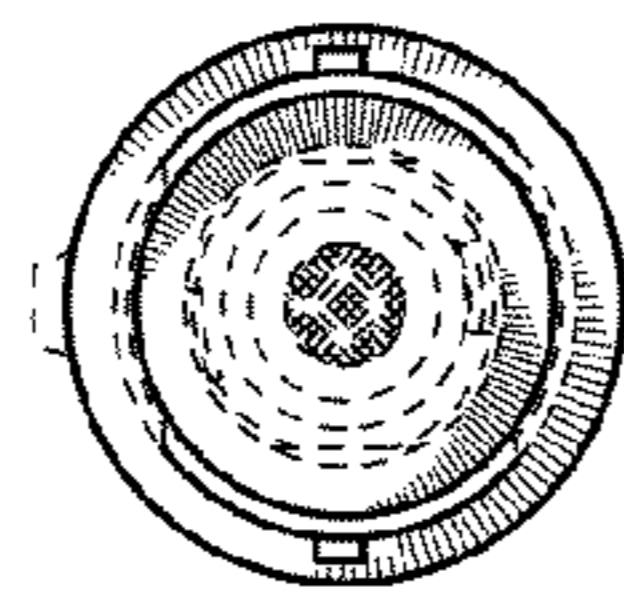


FIG. 6

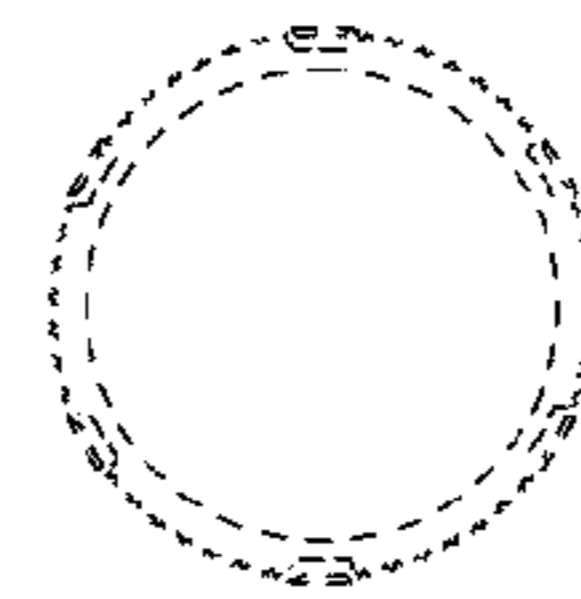


FIG. 7