

US00D734449S

(12) **United States Design Patent**
Warden

(10) **Patent No.:** **US D734,449 S**

(45) **Date of Patent:** **** *Jul. 14, 2015**

(54) **DISPENSER**

(71) Applicant: **MeadWestvaco Calmar GmbH**, Hemer (DE)

(72) Inventor: **Bodo Warden**, Moenchengladbach (DE)

(73) Assignee: **MeadWestvaco Calmar GmbH**, Hemer (DE)

(*) Notice: This patent is subject to a terminal disclaimer.

(**) Term: **14 Years**

(21) Appl. No.: **29/455,527**

(22) Filed: **May 21, 2013**

(51) **LOC (10) Cl.** **29-02**

(52) **U.S. Cl.**
USPC **D24/110**

(58) **Field of Classification Search**
USPC 604/151, 154, 191, 218, 246, 256;
128/DIG. 12; 417/359, 415, 235, 265;
D24/107-108, 110; D7/590, 398, 589,
D7/300

See application file for complete search history.

(56) **References Cited**

U.S. PATENT DOCUMENTS

D382,639 S *	8/1997	Musgrave et al.	D24/129
D410,740 S *	6/1999	Molina	D24/108
5,988,449 A *	11/1999	Fuchs et al.	222/189.11
D484,241 S *	12/2003	Peters et al.	D24/129
D523,956 S *	6/2006	Guala	D24/108
D573,250 S *	7/2008	MacRae et al.	D24/108
7,757,901 B2 *	7/2010	Welp	222/321.6

7,828,231 B2 *	11/2010	Harms	239/533.1
8,678,243 B2 *	3/2014	Collins et al.	222/321.6
2001/0043864 A1 *	11/2001	Maruyama et al.	417/44.1
2003/0183655 A1 *	10/2003	Padar	222/321.9
2004/0256414 A1 *	12/2004	Graf	222/321.1
2006/0186141 A1 *	8/2006	Greiner-Perth	222/321.6
2007/0262090 A1 *	11/2007	Ritsche	222/189.09
2011/0084100 A1 *	4/2011	Welp	222/394
2011/0089197 A1 *	4/2011	Welp	222/321.2
2012/0103332 A1 *	5/2012	Parsons	128/203.15
2014/0070030 A1 *	3/2014	Harms et al.	239/583

FOREIGN PATENT DOCUMENTS

EM 002378828-0006 * 12/2013

* cited by examiner

Primary Examiner — Wan Laymon

Assistant Examiner — Mark Booker

(74) *Attorney, Agent, or Firm* — Kilpatrick Townsend & Stockton LLP

(57) **CLAIM**

The ornamental design for dispenser, as shown and described.

DESCRIPTION

FIG. 1 is a front view of the dispenser.

FIG. 2 is a view from the back.

FIG. 3 is a view from the left side.

FIG. 4 is a view from the right side.

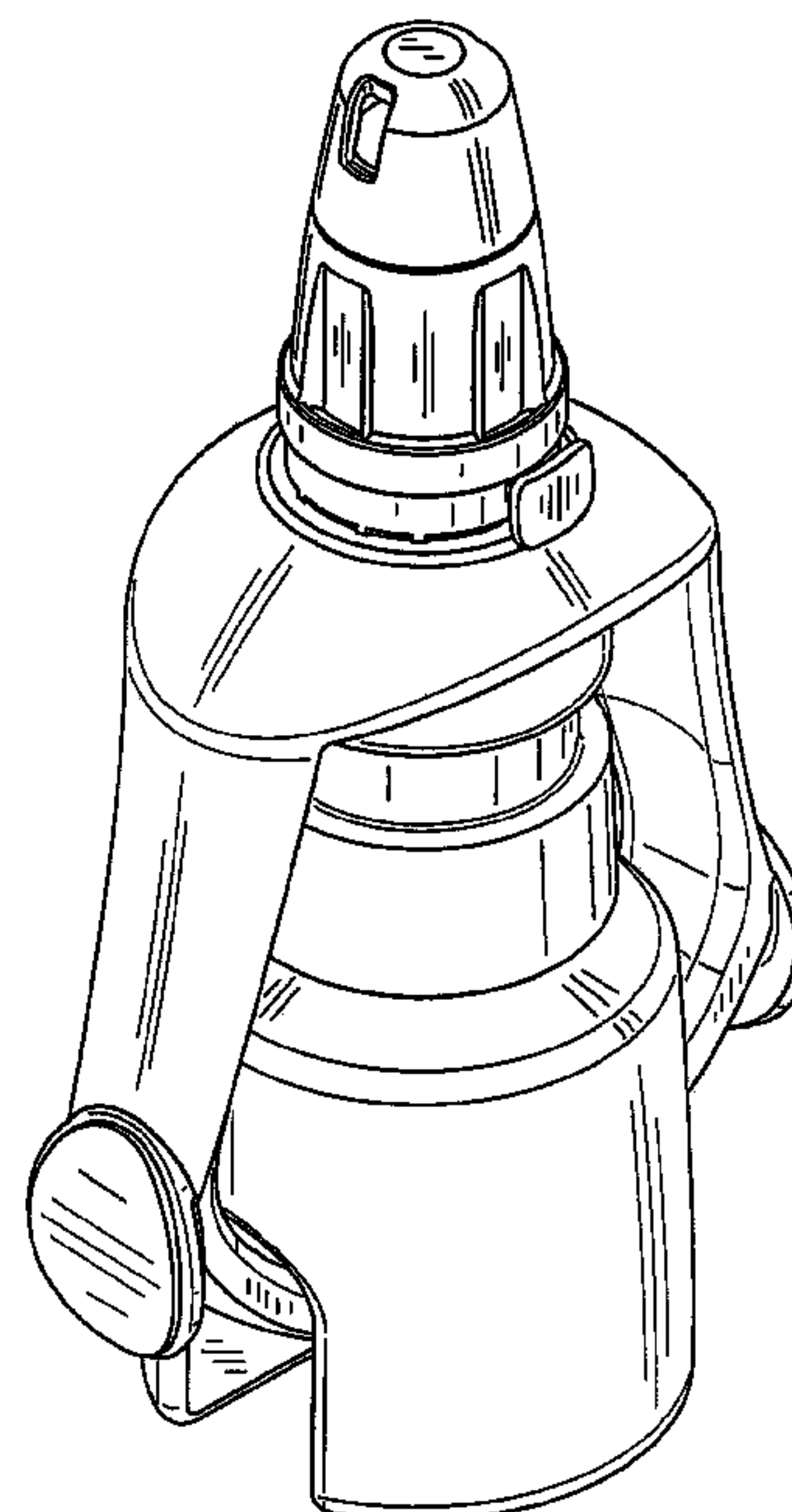
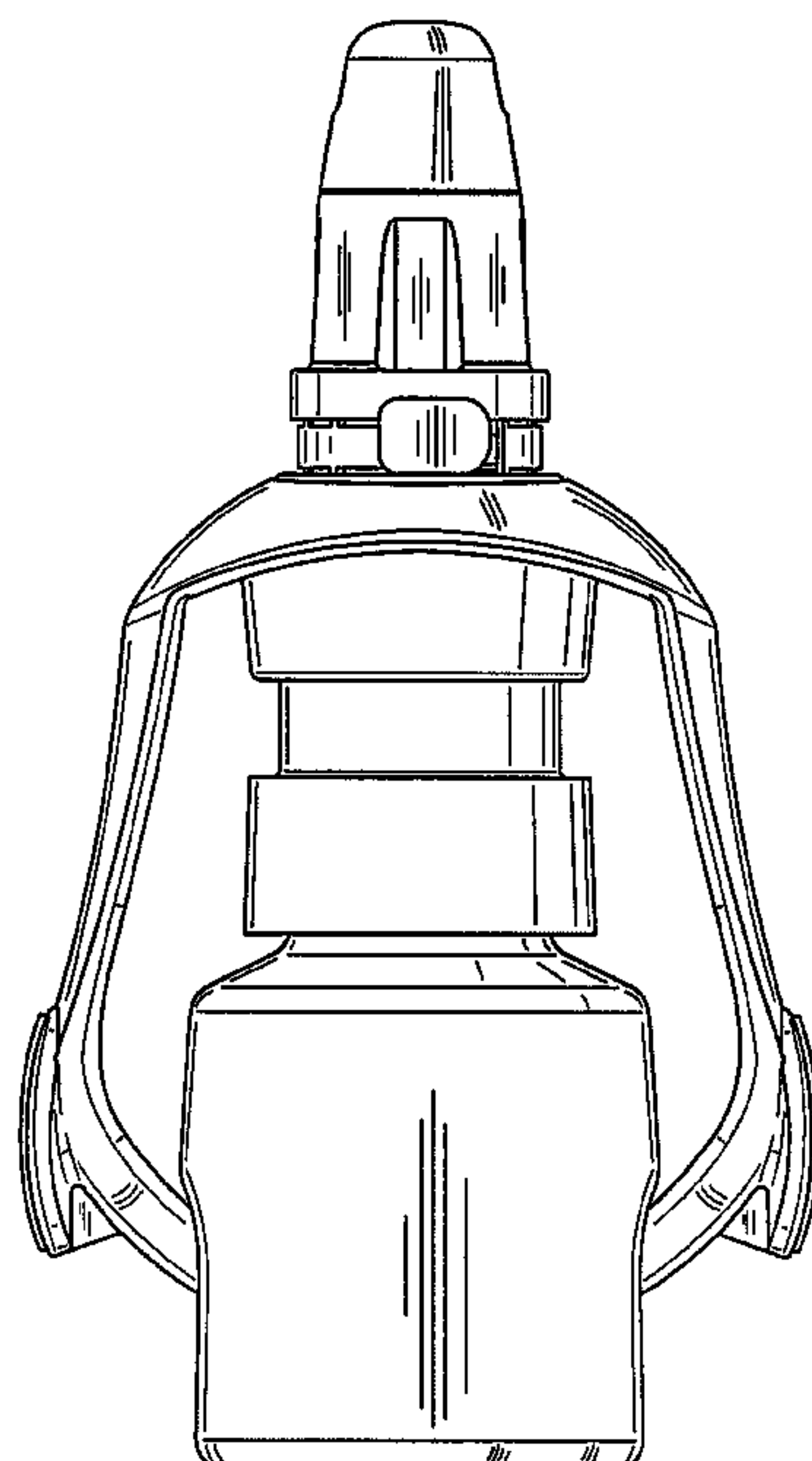
FIG. 5 is a view from the top.

FIG. 6 is a view from below; and,

FIG. 7 is a perspective top view of the dispenser diagonally seen from the above on the left side.

Portions of the dispenser shown in broken lines form no part of the claimed design.

1 Claim, 7 Drawing Sheets



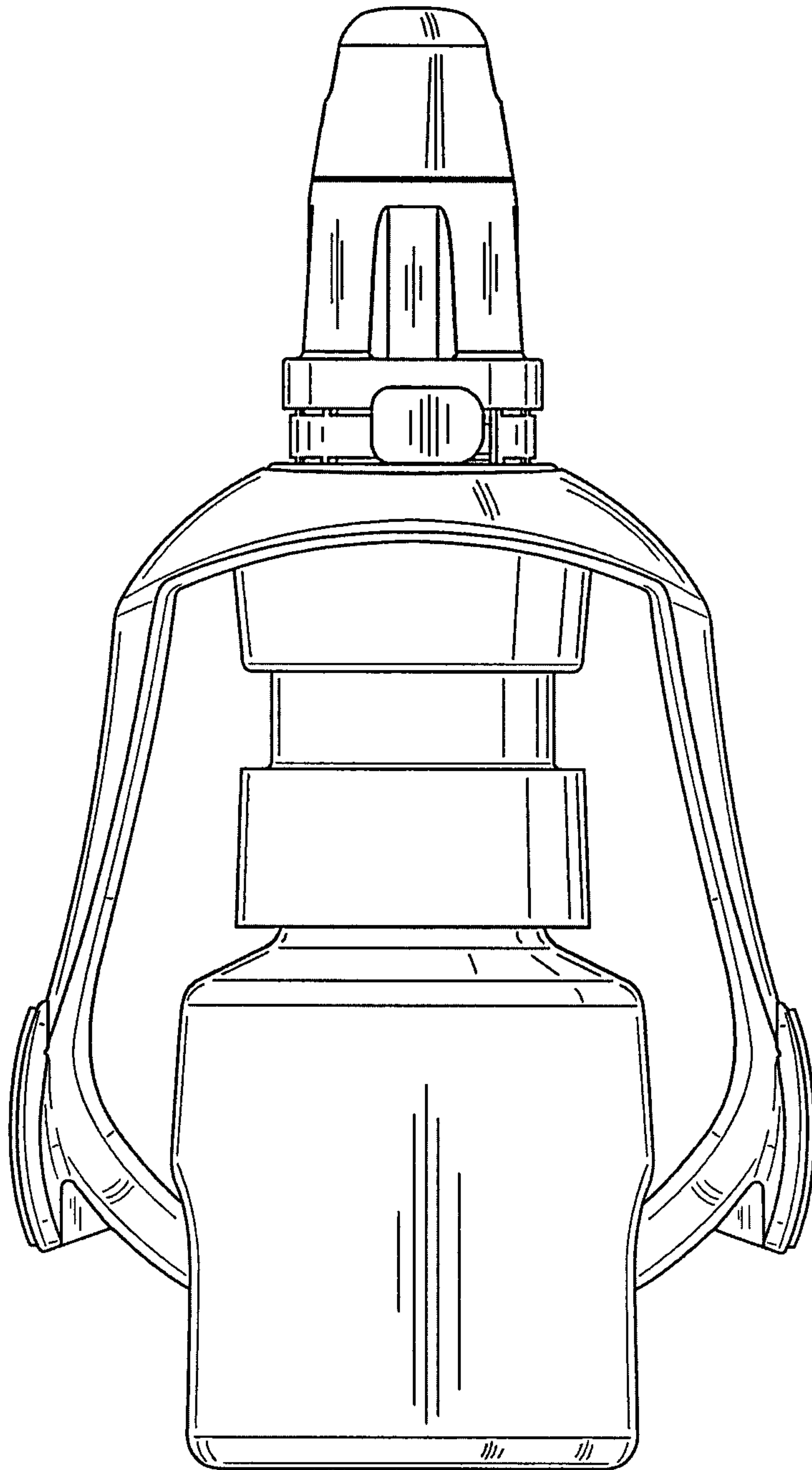


FIG. 1

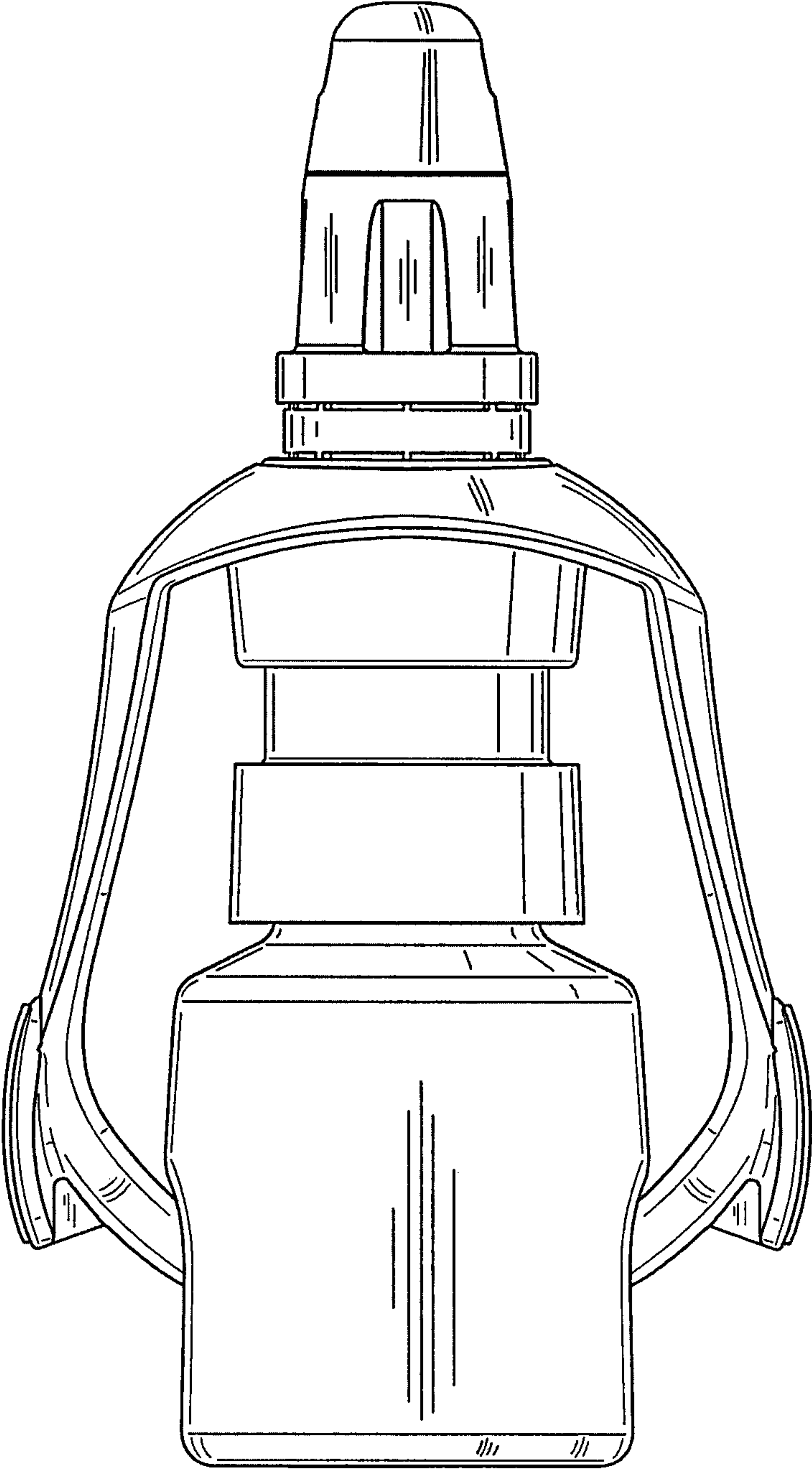


FIG. 2

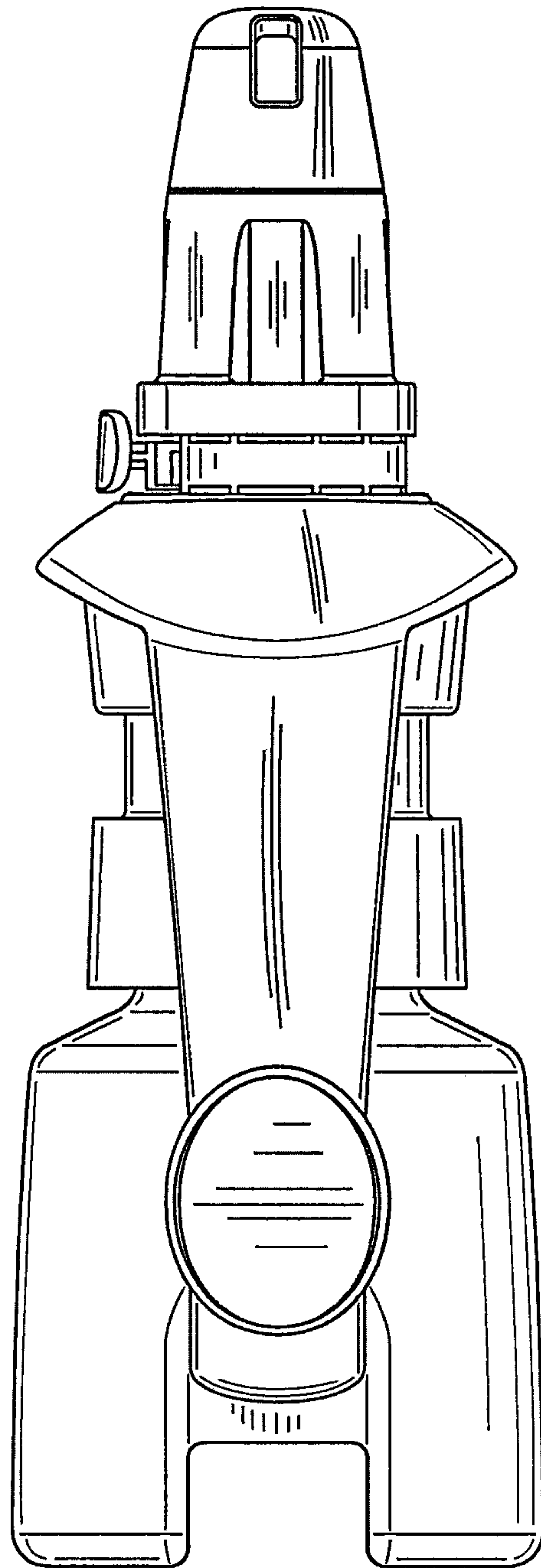


FIG.3

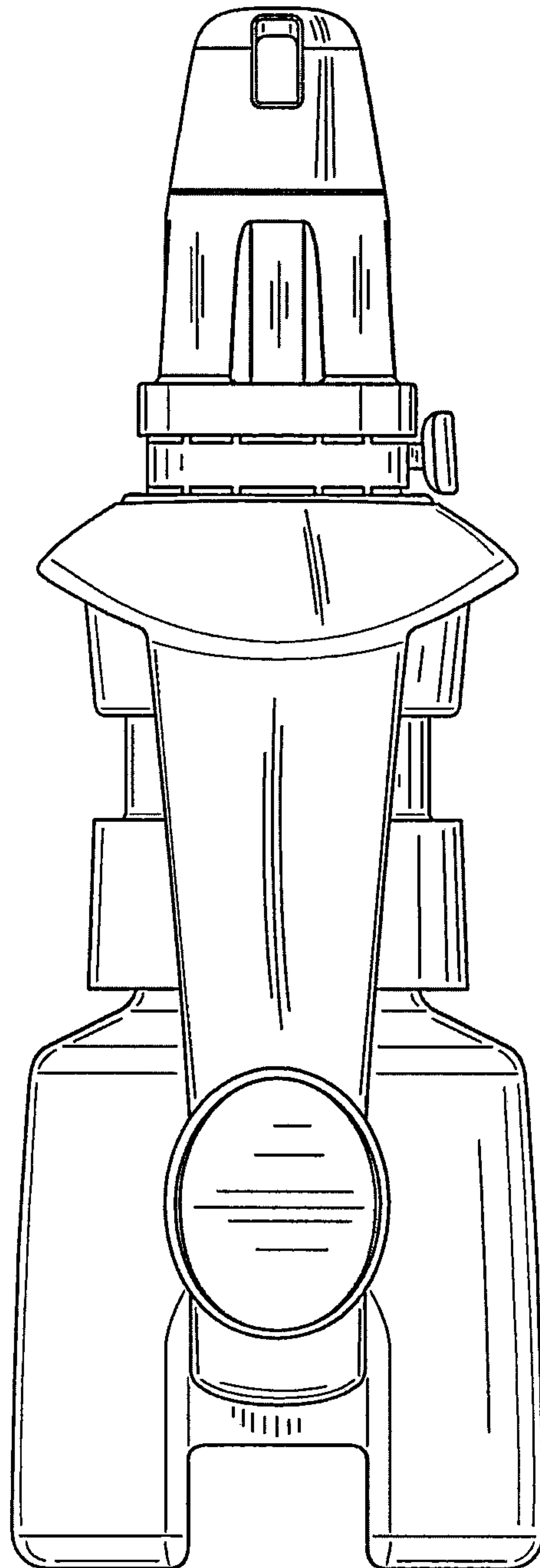


FIG.4

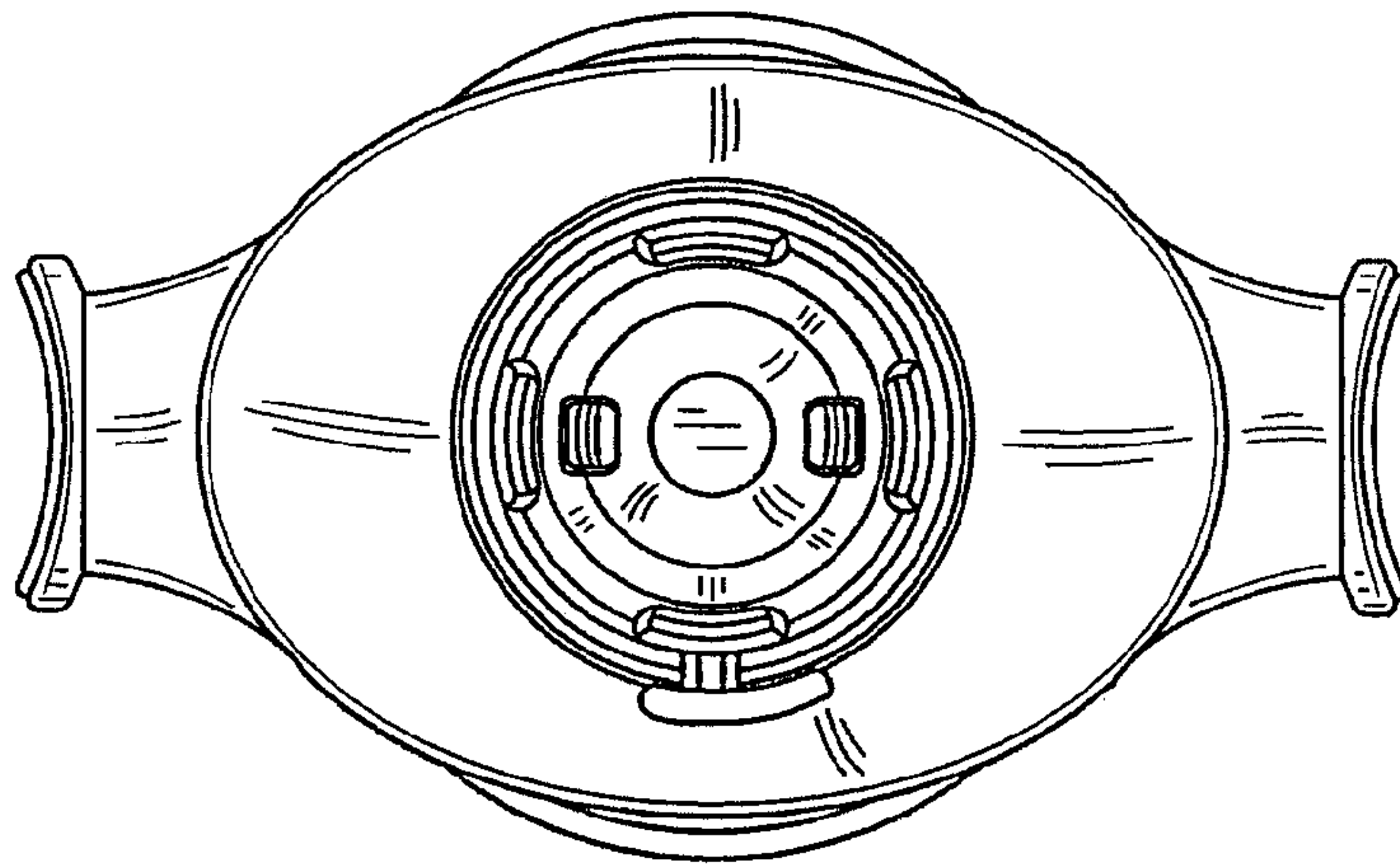


FIG.5

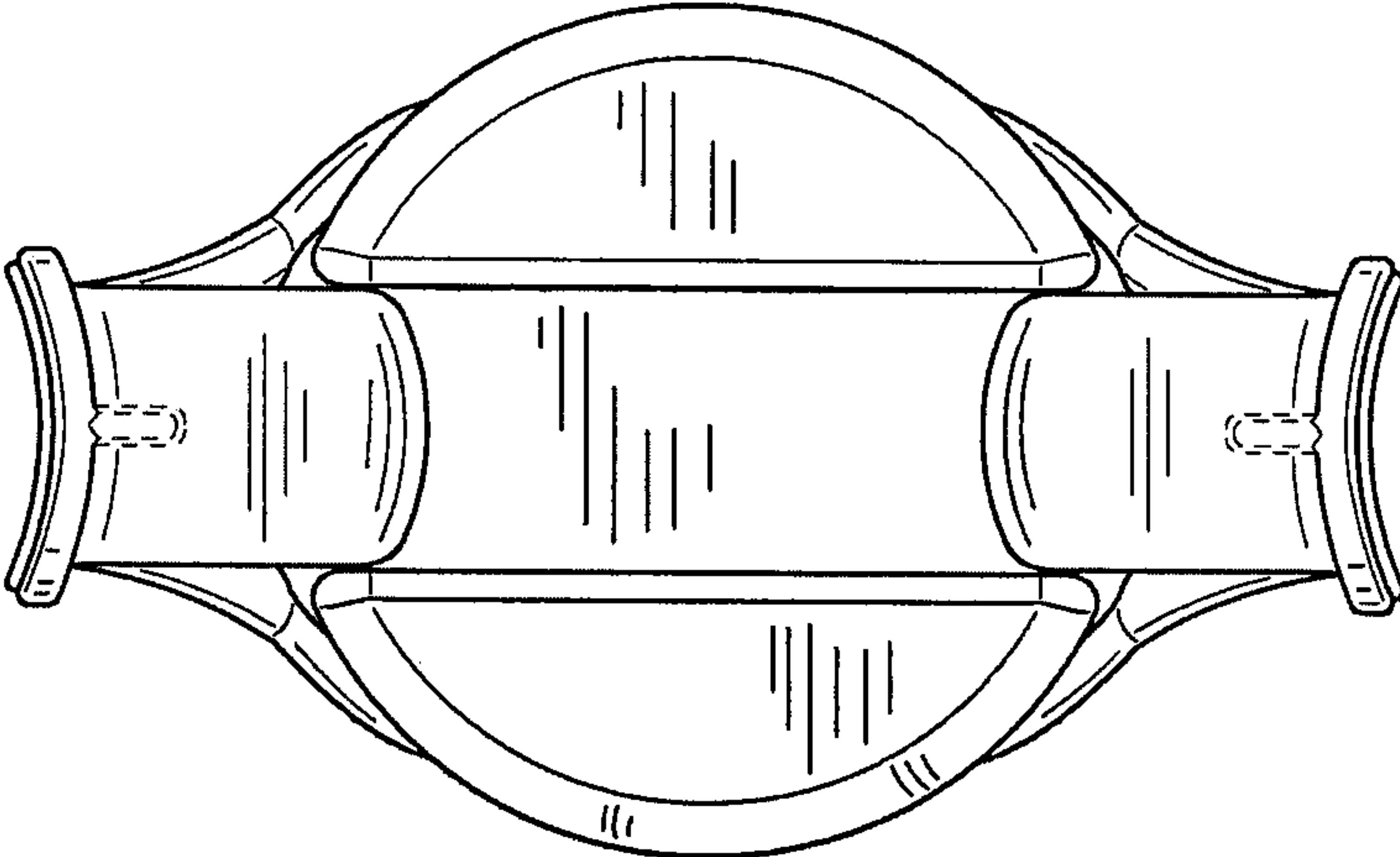


FIG.6

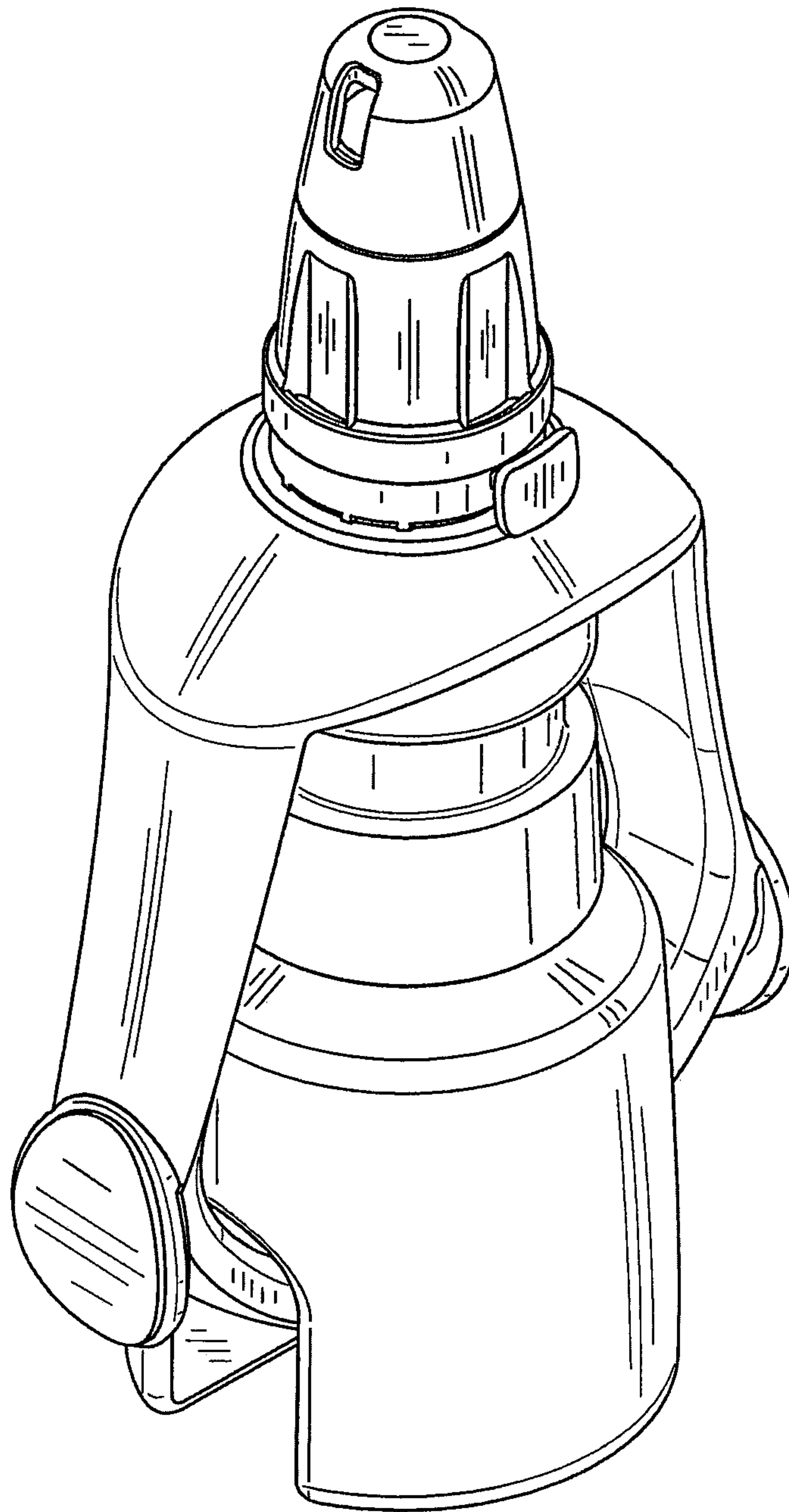


FIG.7