



US00D734447S

(12) **United States Design Patent**  
**Warden**

(10) **Patent No.:** **US D734,447 S**

(45) **Date of Patent:** **\*\* \*Jul. 14, 2015**

(54) **DISPENSER**

(71) Applicant: **MeadWestvaco Calmar GmbH**, Hemer (DE)

(72) Inventor: **Bodo Warden**, Moenchengladbach (DE)

(73) Assignee: **MeadWestvaco Calmar GmbH**, Hemer (DE)

(\*) Notice: This patent is subject to a terminal disclaimer.

(\*\*) Term: **14 Years**

(21) Appl. No.: **29/455,523**

(22) Filed: **May 21, 2013**

(30) **Foreign Application Priority Data**

Nov. 28, 2012 (EM) ..... 002143842

(51) **LOC (10) Cl.** ..... **29-02**

(52) **U.S. Cl.**  
USPC ..... **D24/110**

(58) **Field of Classification Search**  
USPC ..... 604/151, 154, 191, 218, 246, 256;  
128/DIG. 12; 417/359, 415, 235, 265;  
D24/107-108, 110; D7/590, 398, 589,  
D7/300

See application file for complete search history.

(56) **References Cited**

**U.S. PATENT DOCUMENTS**

D382,639 S \* 8/1997 Musgrave et al. .... D24/129  
D410,740 S \* 6/1999 Molina ..... D24/108  
5,988,449 A \* 11/1999 Fuchs et al. .... 222/189.11  
D484,241 S \* 12/2003 Peters et al. .... D24/129  
D523,956 S \* 6/2006 Guala ..... D24/108

D573,250 S \* 7/2008 MacRae et al. .... D24/108  
7,757,901 B2 \* 7/2010 Welp ..... 222/321.6  
7,828,231 B2 \* 11/2010 Harms ..... 239/533.1  
8,678,243 B2 \* 3/2014 Collins et al. .... 222/321.6  
2001/0043864 A1 \* 11/2001 Maruyama et al. .... 417/44.1  
2003/0183655 A1 \* 10/2003 Padar ..... 222/321.9  
2004/0256414 A1 \* 12/2004 Graf ..... 222/321.1  
2006/0186141 A1 \* 8/2006 Greiner-Perth ..... 222/321.6  
2007/0262090 A1 \* 11/2007 Ritsche ..... 222/189.09  
2011/0084100 A1 \* 4/2011 Welp ..... 222/394  
2011/0089197 A1 \* 4/2011 Welp ..... 222/321.2  
2012/0103332 A1 \* 5/2012 Parsons ..... 128/203.15  
2014/0070030 A1 \* 3/2014 Harms et al. .... 239/583

**FOREIGN PATENT DOCUMENTS**

EM 002378828-0006 \* 12/2013

\* cited by examiner

*Primary Examiner* — Wan Laymon

*Assistant Examiner* — Mark Booker

(74) *Attorney, Agent, or Firm* — Kilpatrick Townsend & Stockton LLP

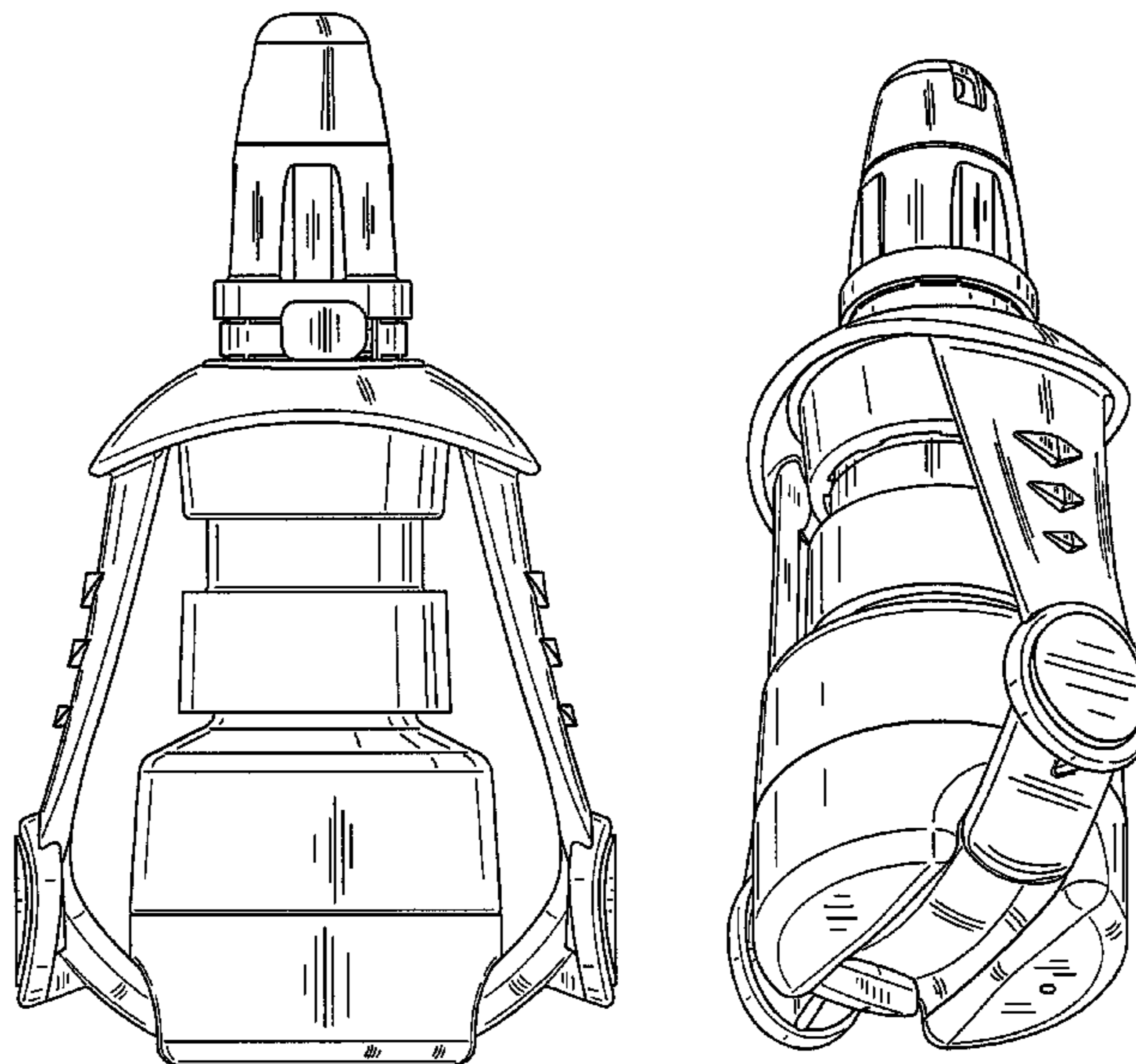
(57) **CLAIM**

The ornamental design for dispenser, as shown and described.

**DESCRIPTION**

FIG. 1 is a front view of the dispenser.  
FIG. 2 is a view from the back.  
FIG. 3 is a view from the left side.  
FIG. 4 is a view from the right side.  
FIG. 5 is a view from the top.  
FIG. 6 is a view from below; and,  
FIG. 7 is a perspective top view of the dispenser diagonally seen from the above on the left side.  
Portions of the dispenser shown in broken lines form no part of the claimed design.

**1 Claim, 7 Drawing Sheets**



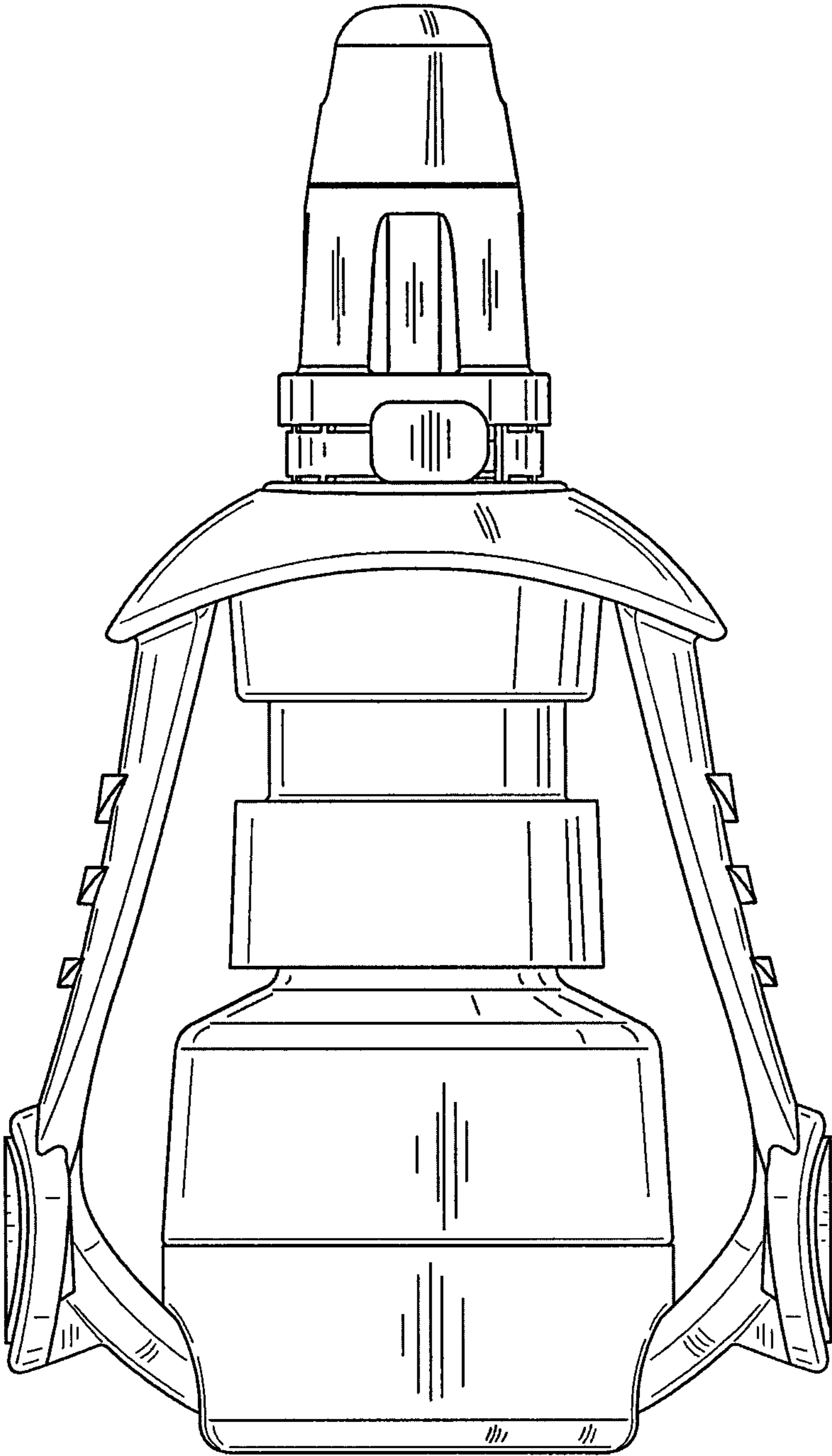


FIG.1

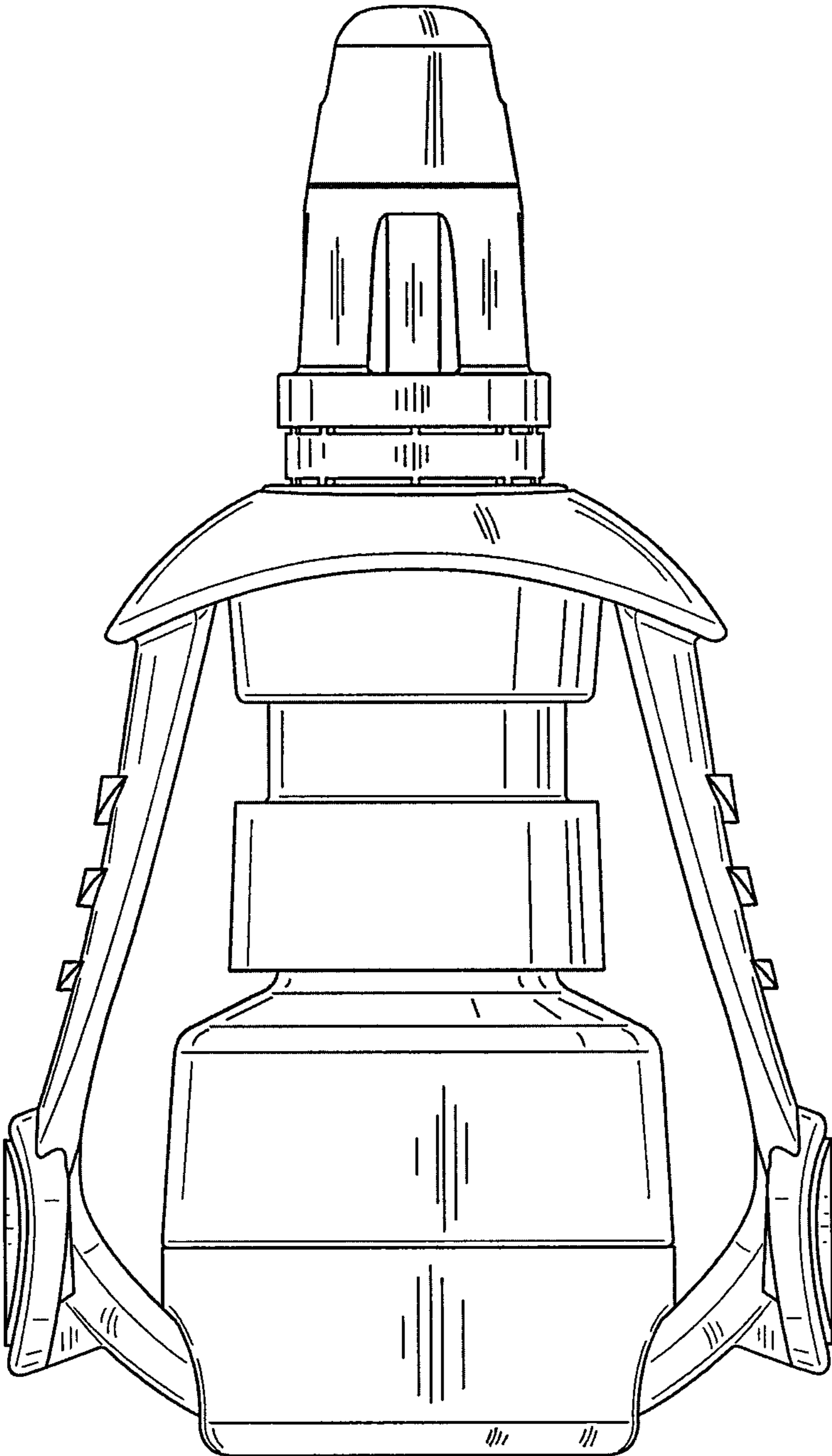


FIG.2

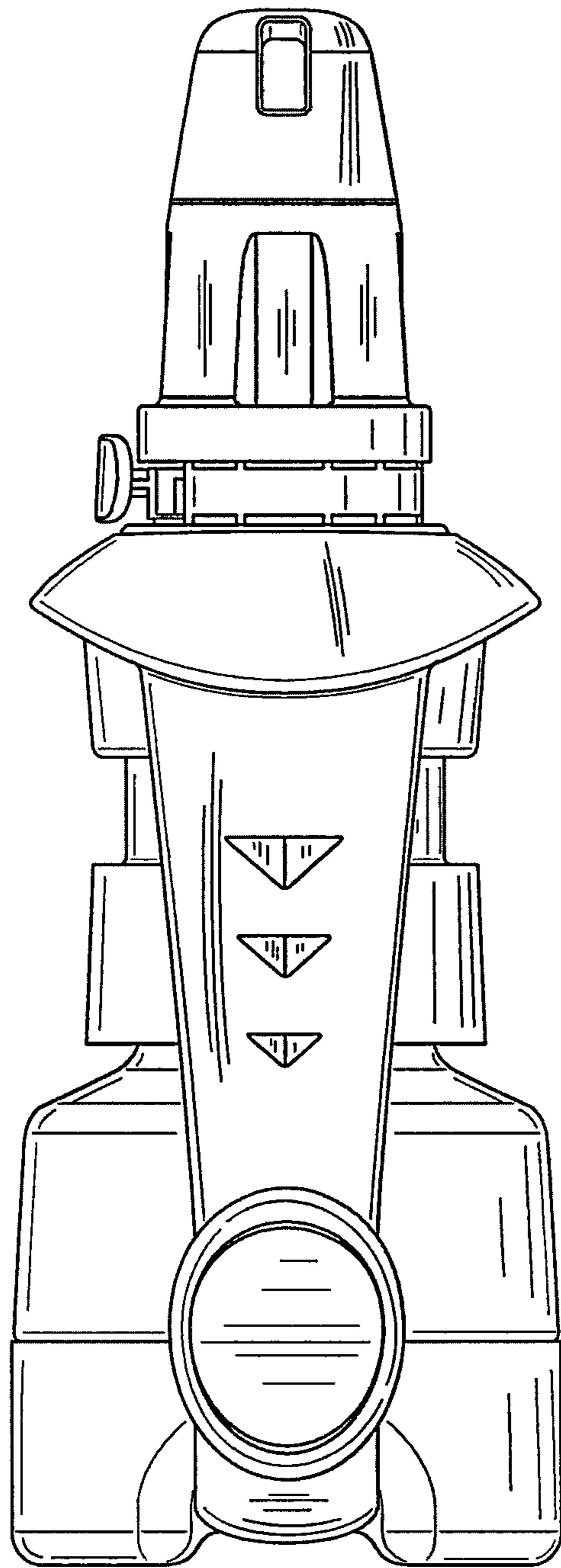


FIG.3

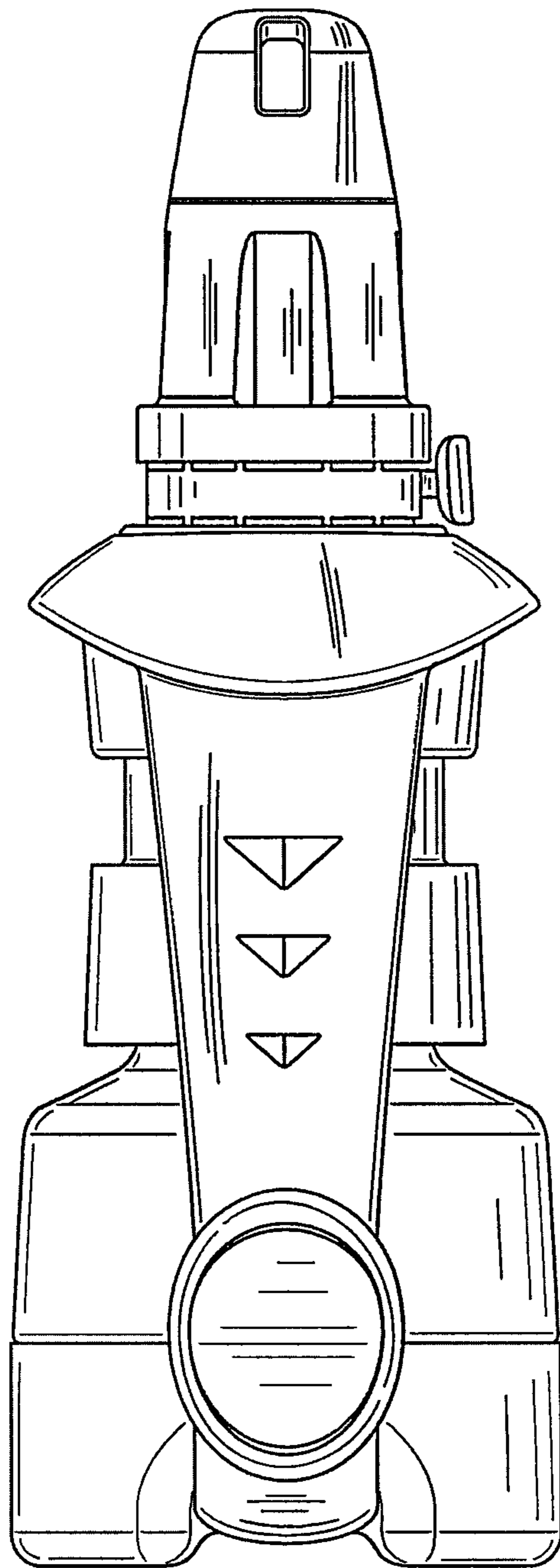


FIG.4



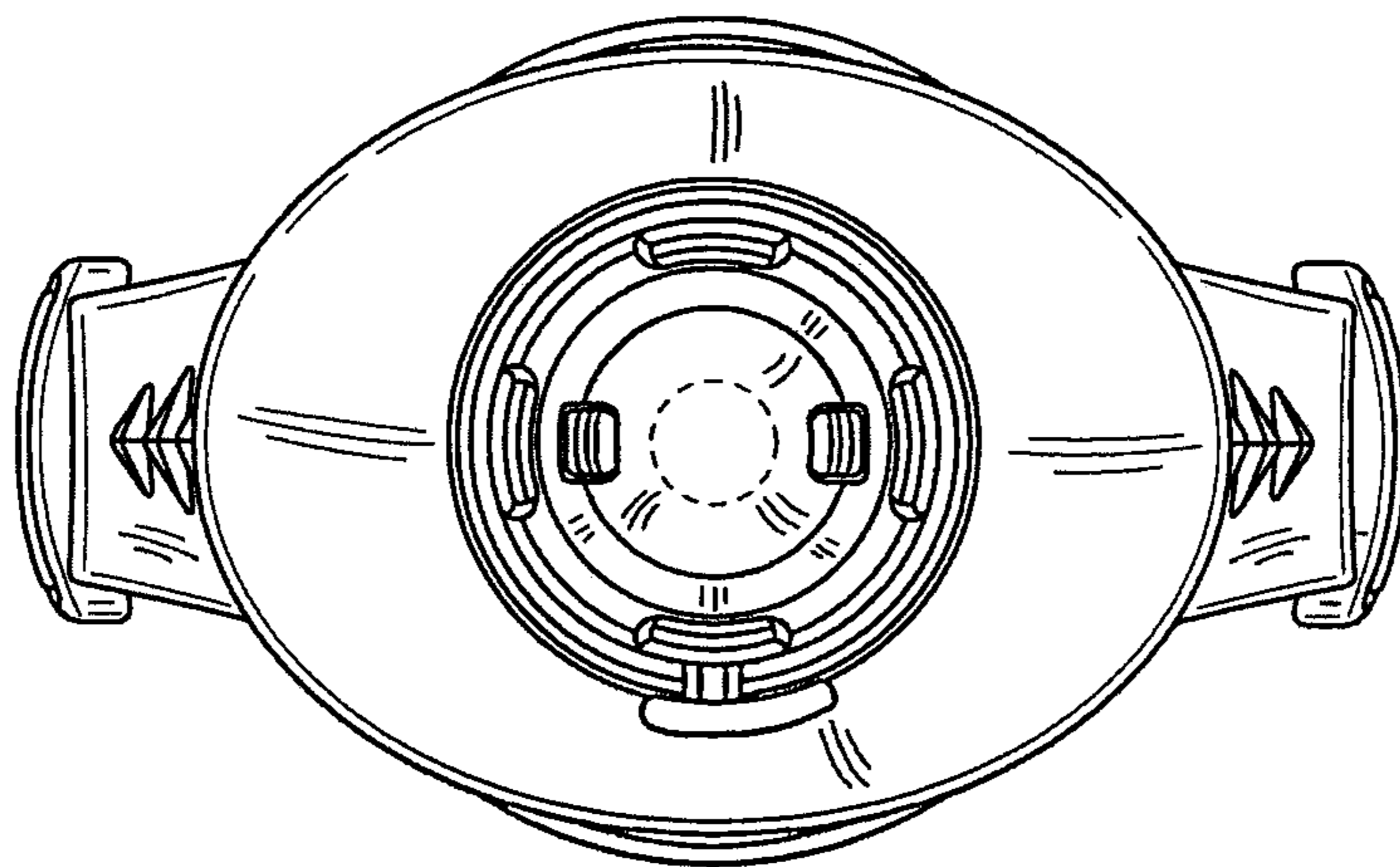


FIG.5

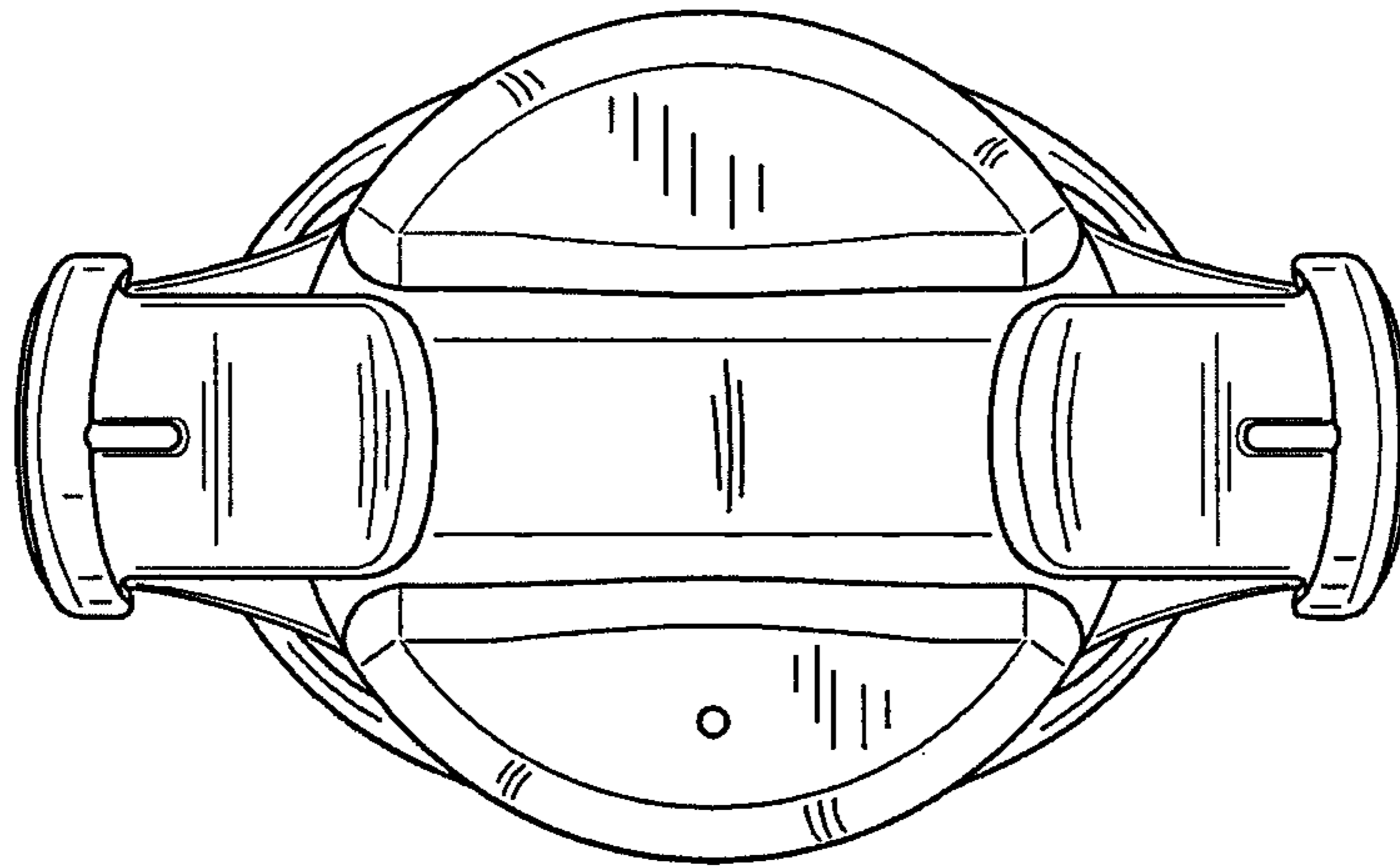


FIG. 6

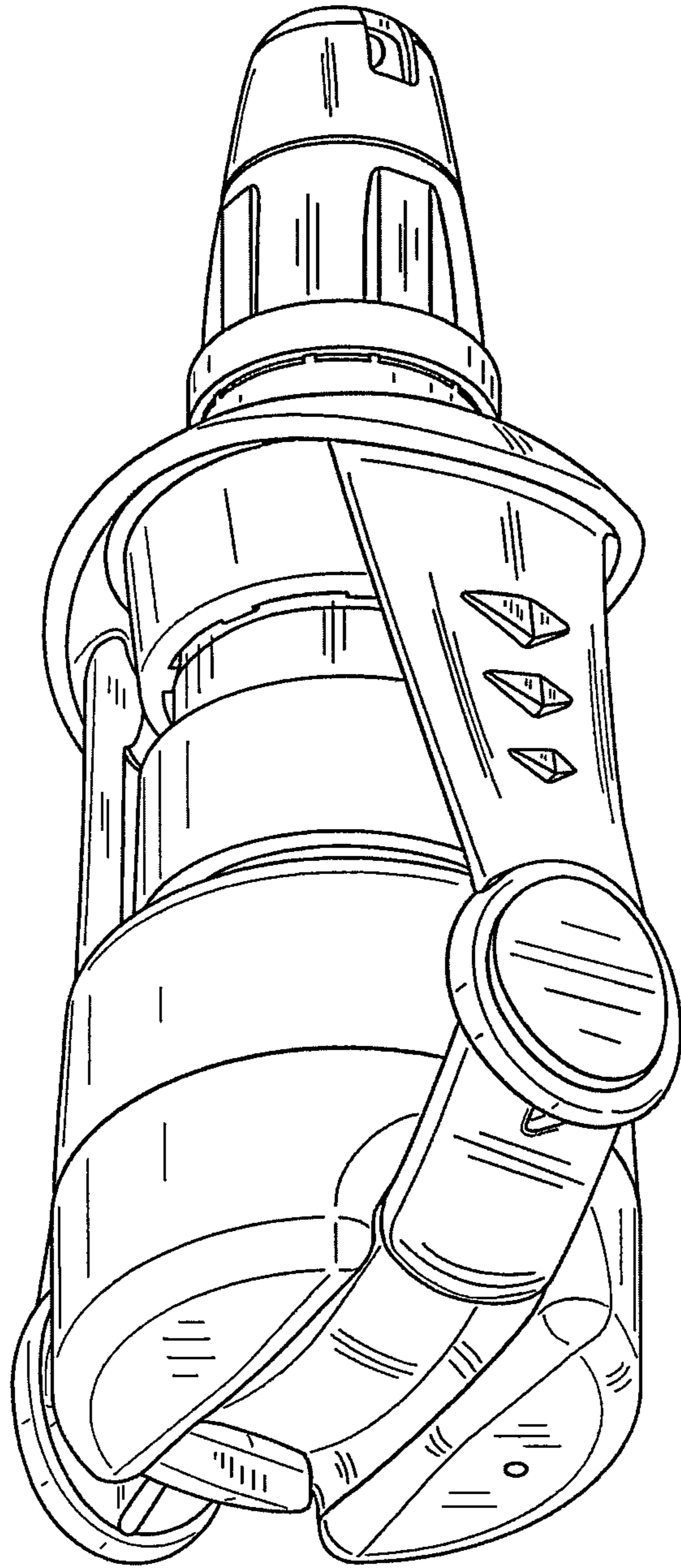


FIG.7