

US00D734446S

(12) **United States Design Patent**
Salmon et al.

(10) **Patent No.:** **US D734,446 S**
(45) **Date of Patent:** **** Jul. 14, 2015**

(54) **BREATHING APPARATUS**

(71) Applicant: **FISHER & PAYKEL HEALTHCARE LIMITED**, Auckland (NZ)

(72) Inventors: **Andrew Paul Maxwell Salmon**, Auckland (NZ); **Douglas Richard Wright**, Auckland (NZ); **Yi-cheng Sun**, Auckland (NZ); **Peter Lawrence Grylls**, Auckland (NZ); **Paul Fleming Buckley**, Auckland (NZ)

(73) Assignee: **Fisher & Paykel Healthcare Limited**, Auckland (NZ)

(**) Term: **14 Years**

(21) Appl. No.: **29/445,144**

(22) Filed: **Feb. 7, 2013**

(51) **LOC (10) Cl.** **24-01**

(52) **U.S. Cl.**
USPC **D24/108**

(58) **Field of Classification Search**
USPC D24/110, 164; D23/356, 358;
128/200.16, 200.18, 200.22–200.24,
128/203.16, 203.17, 204.14, 204.18,
128/204.23; D14/140
CPC A61M 16/0063; A61M 16/1045;
A61M 16/16; A61M 16/00
See application file for complete search history.

(56) **References Cited**

U.S. PATENT DOCUMENTS

D421,298 S *	2/2000	Kenyon et al.	D24/110
D468,011 S *	12/2002	Lithgow et al.	D24/110
D493,520 S *	7/2004	Bertinetti et al.	D24/110
D498,528 S *	11/2004	Van Brunt et al.	D24/110
D504,945 S *	5/2005	Van Brunt et al.	D24/110
D526,640 S *	8/2006	Chin et al.	D14/188

(Continued)

OTHER PUBLICATIONS

Fisher & Paykel Healthcare Limited, Clinical Technologies Brochure; pp. 1-8; 2011.

Primary Examiner — Deanna L Pratt

Assistant Examiner — Lilyana Bekic

(74) *Attorney, Agent, or Firm* — Knobbe, Martens, Olson & Bear, LLP

(57) **CLAIM**

The ornamental design for a breathing apparatus, as shown and described.

DESCRIPTION

FIG. 1 is a front perspective view of a first embodiment of a breathing apparatus which incorporates our design.

FIG. 2 is a front view of the breathing assistance apparatus of FIG. 1.

FIG. 3 is a right side view of the breathing assistance apparatus of FIG. 1.

FIG. 4 is a rear view of the breathing assistance apparatus of FIG. 1.

FIG. 5 is a left side view of the breathing assistance apparatus of FIG. 1.

FIG. 6 is a top view of the breathing assistance apparatus of FIG. 1.

FIG. 7 is a bottom view of the breathing assistance apparatus of FIG. 1.

FIG. 8 is a front perspective view of a second embodiment of a breathing apparatus which incorporates our design.

FIG. 9 is a front view of the breathing assistance apparatus of FIG. 8.

FIG. 10 is a right side view of the breathing assistance apparatus of FIG. 8.

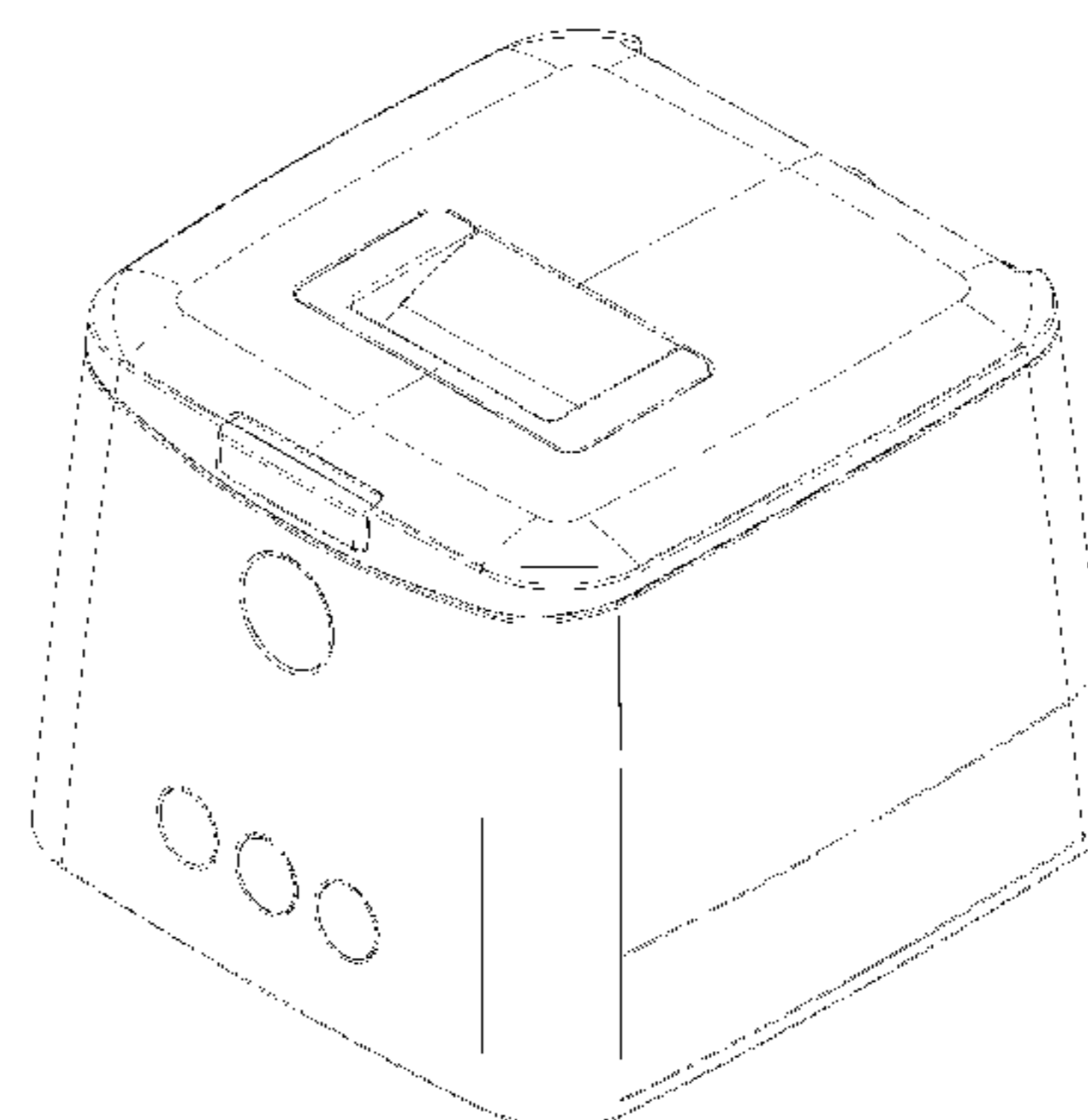
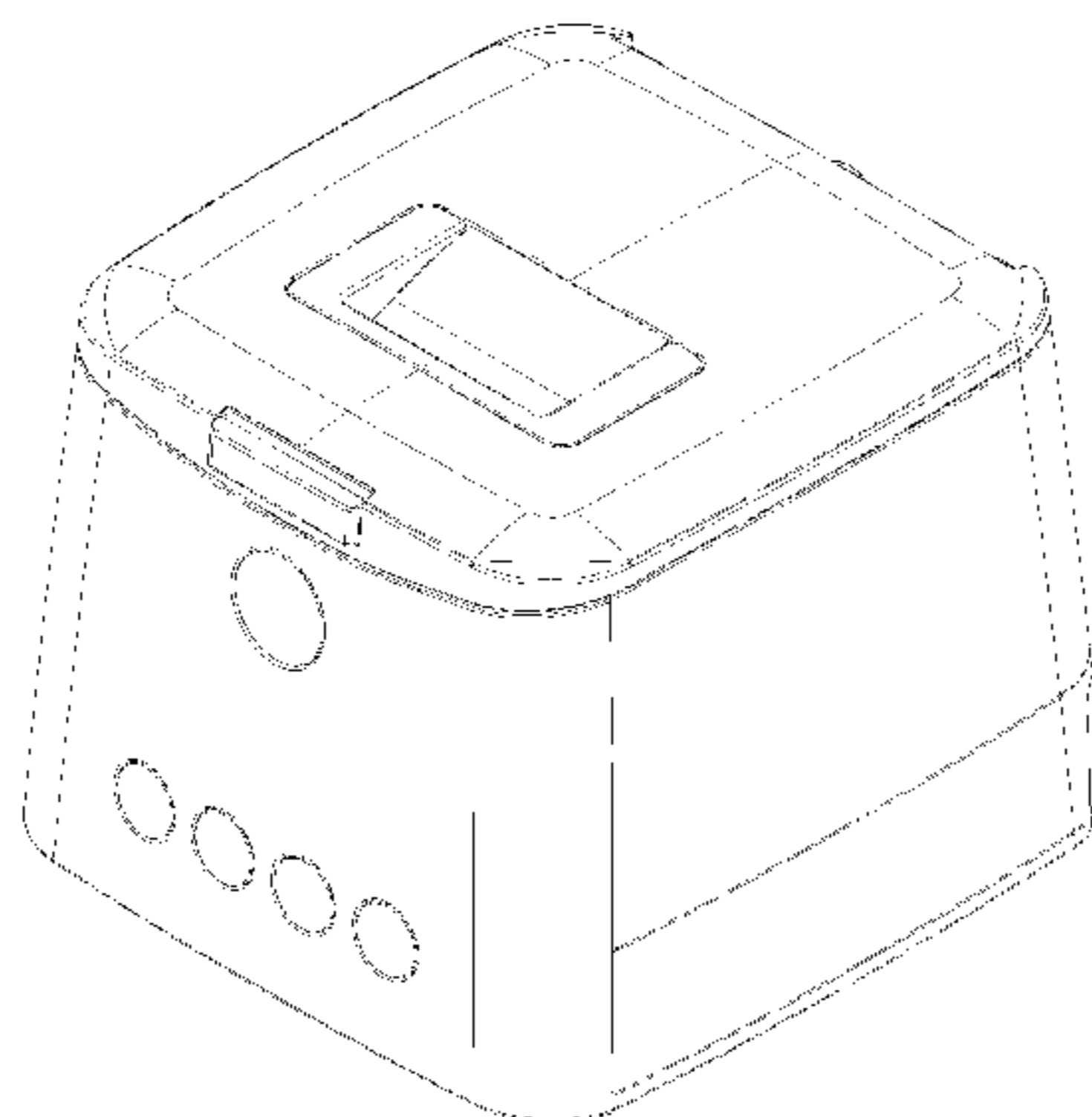
FIG. 11 is a rear view of the breathing assistance apparatus of FIG. 8.

FIG. 12 is a left side view of the breathing assistance apparatus of FIG. 8.

FIG. 13 is a top view of the breathing assistance apparatus of FIG. 8; and,

FIG. 14 is a bottom view of the breathing assistance apparatus of FIG. 8.

1 Claim, 14 Drawing Sheets



(56)

References Cited

U.S. PATENT DOCUMENTS

D560,795 S *	1/2008	Lithgow et al.	D24/110	D690,280 S *	9/2013	Schul	D14/188
D575,766 S *	8/2008	Harris	D14/188	D693,005 S *	11/2013	Nawata et al.	D24/164
D585,540 S *	1/2009	Lithgow et al.	D24/110	D695,707 S *	12/2013	Szymanski et al.	D14/214
D646,665 S *	10/2011	Iijima	D14/214	D695,711 S *	12/2013	Szymanski et al.	D14/214
D658,755 S *	5/2012	Lithgow	D24/110	D696,393 S *	12/2013	Lu	D24/110
D675,730 S *	2/2013	Lithgow et al.	D24/110	D707,202 S *	6/2014	McManigal	D14/214
D679,800 S *	4/2013	Gusky et al.	D24/110	D714,249 S *	9/2014	Carney et al.	D14/140
D682,406 S *	5/2013	Yeom	D23/364	2010/0065051 A1	3/2010	Potharaju et al.	
D683,444 S *	5/2013	Inoue et al.	D24/110	2011/0186048 A1	8/2011	Casse et al.	
				2012/0318266 A1*	12/2012	Chou	128/204.23
				2013/0333701 A1*	12/2013	Herron, Roy	128/203.27

* cited by examiner

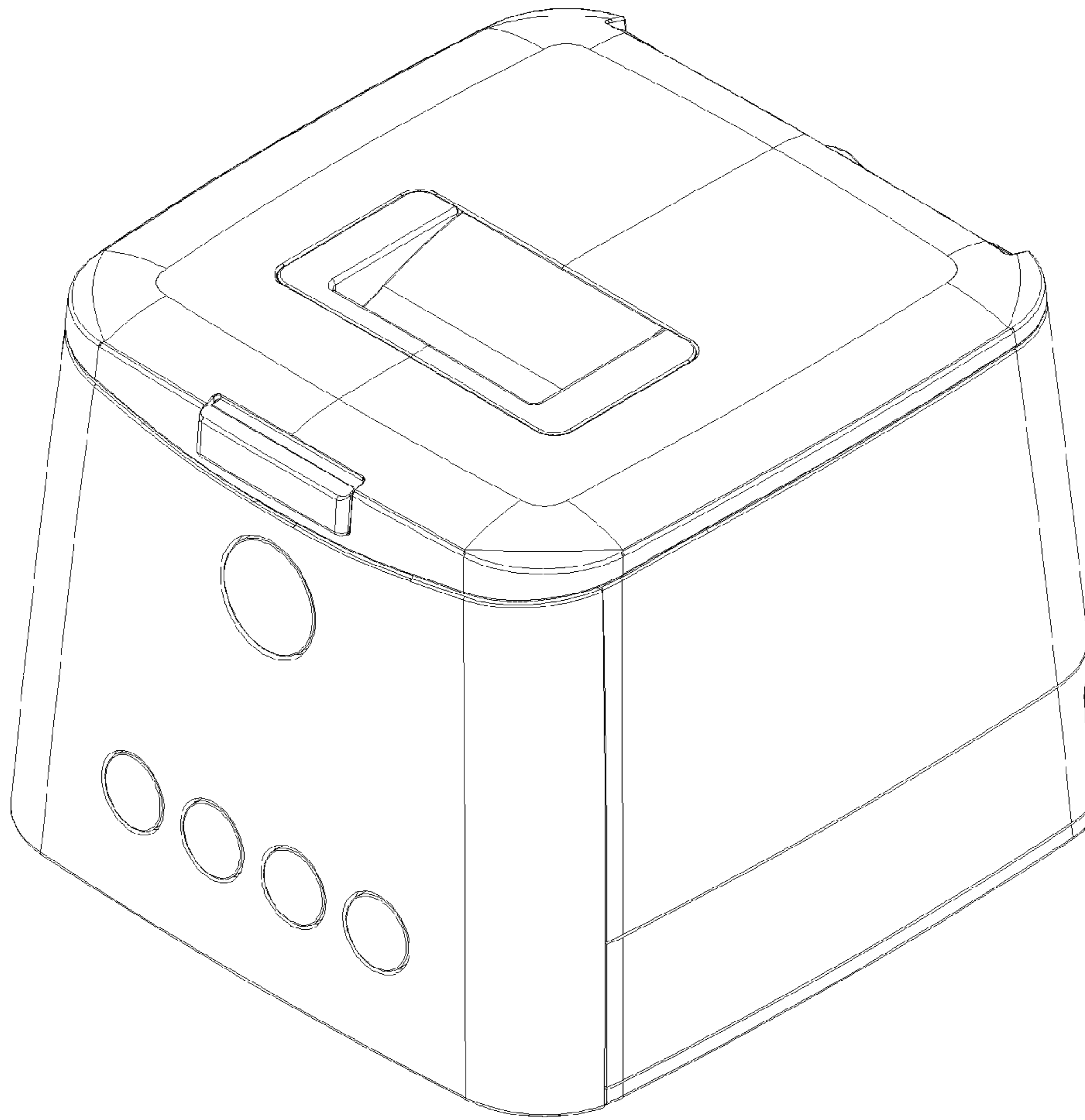


FIG. 1

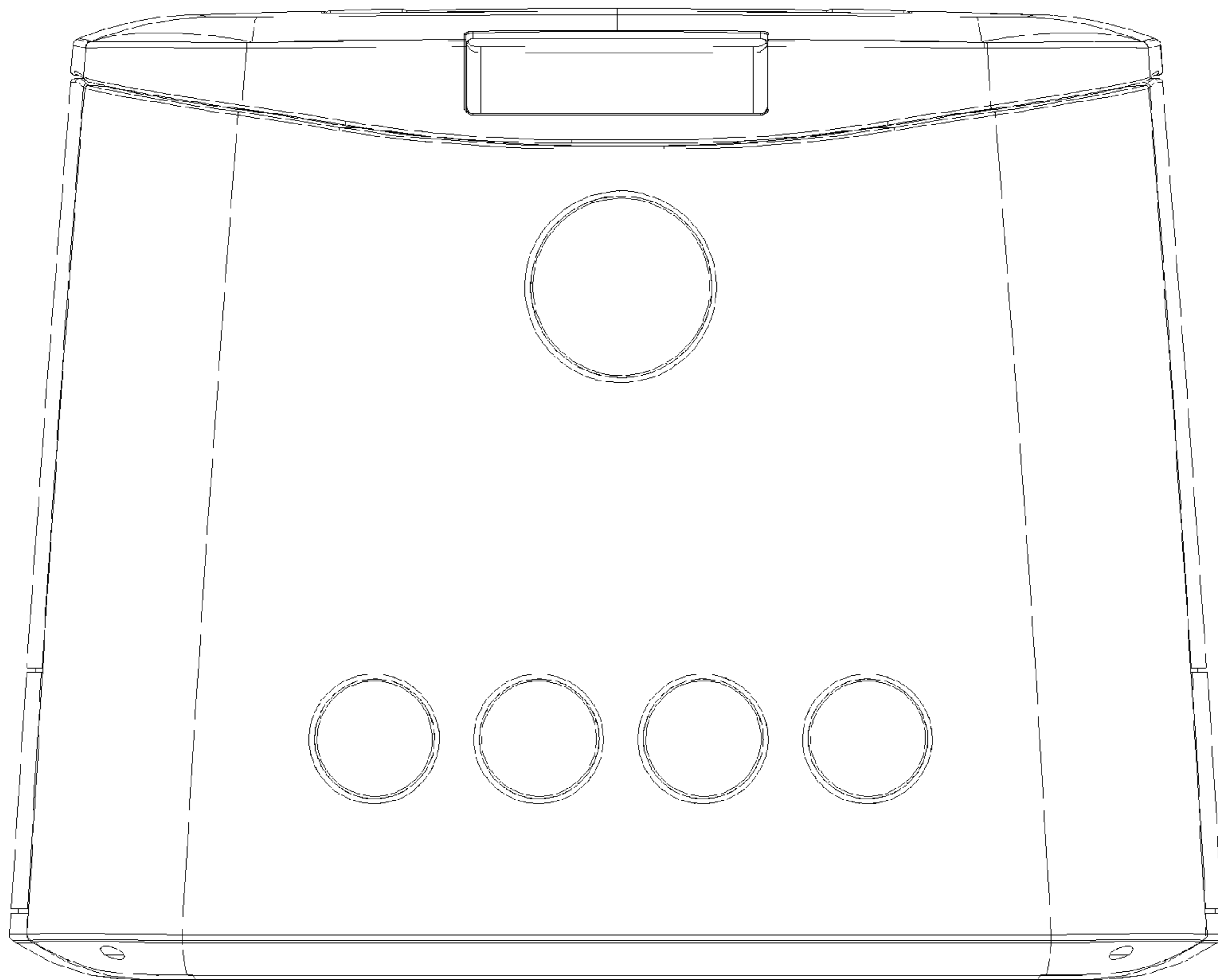


FIG. 2

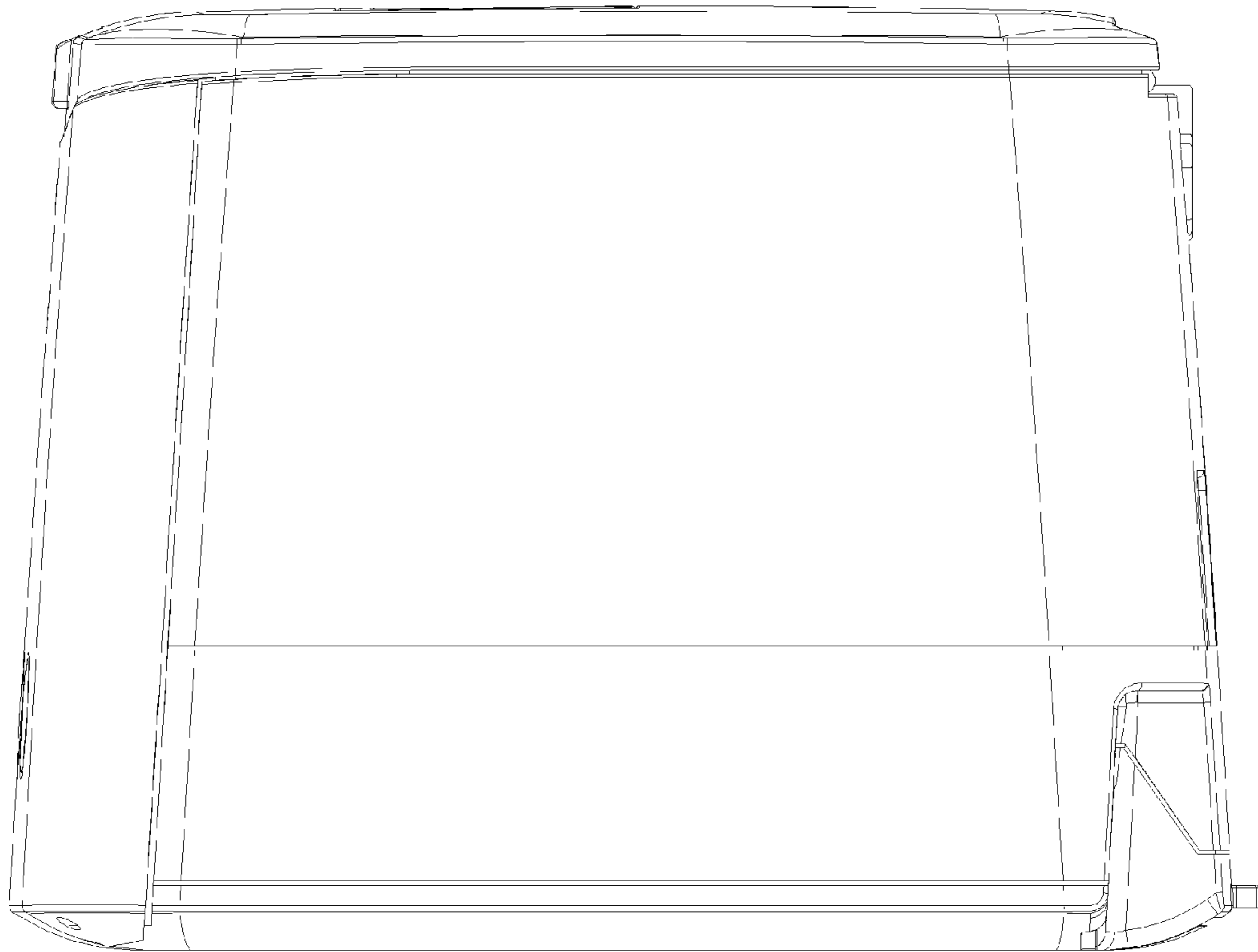


FIG. 3

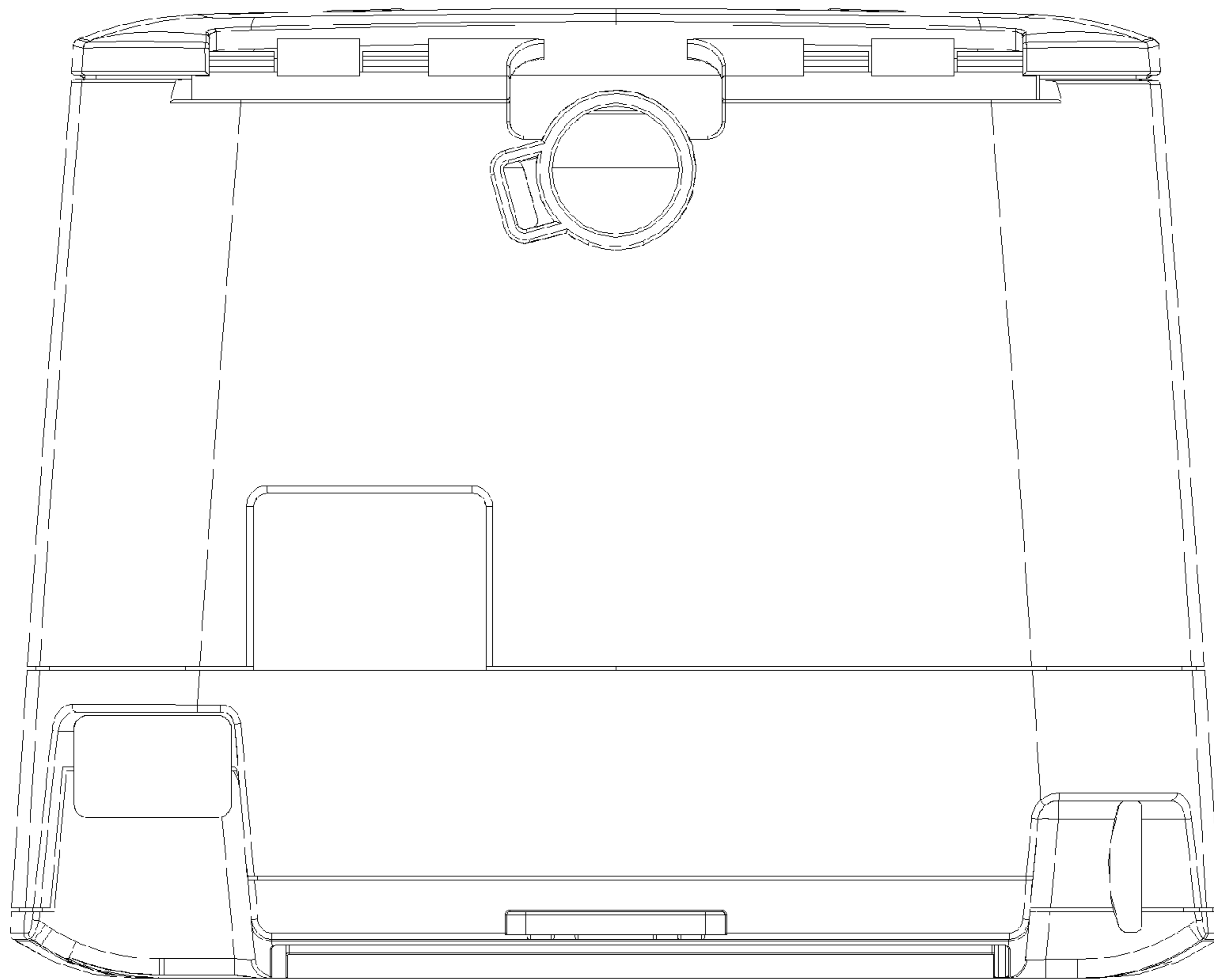


FIG. 4

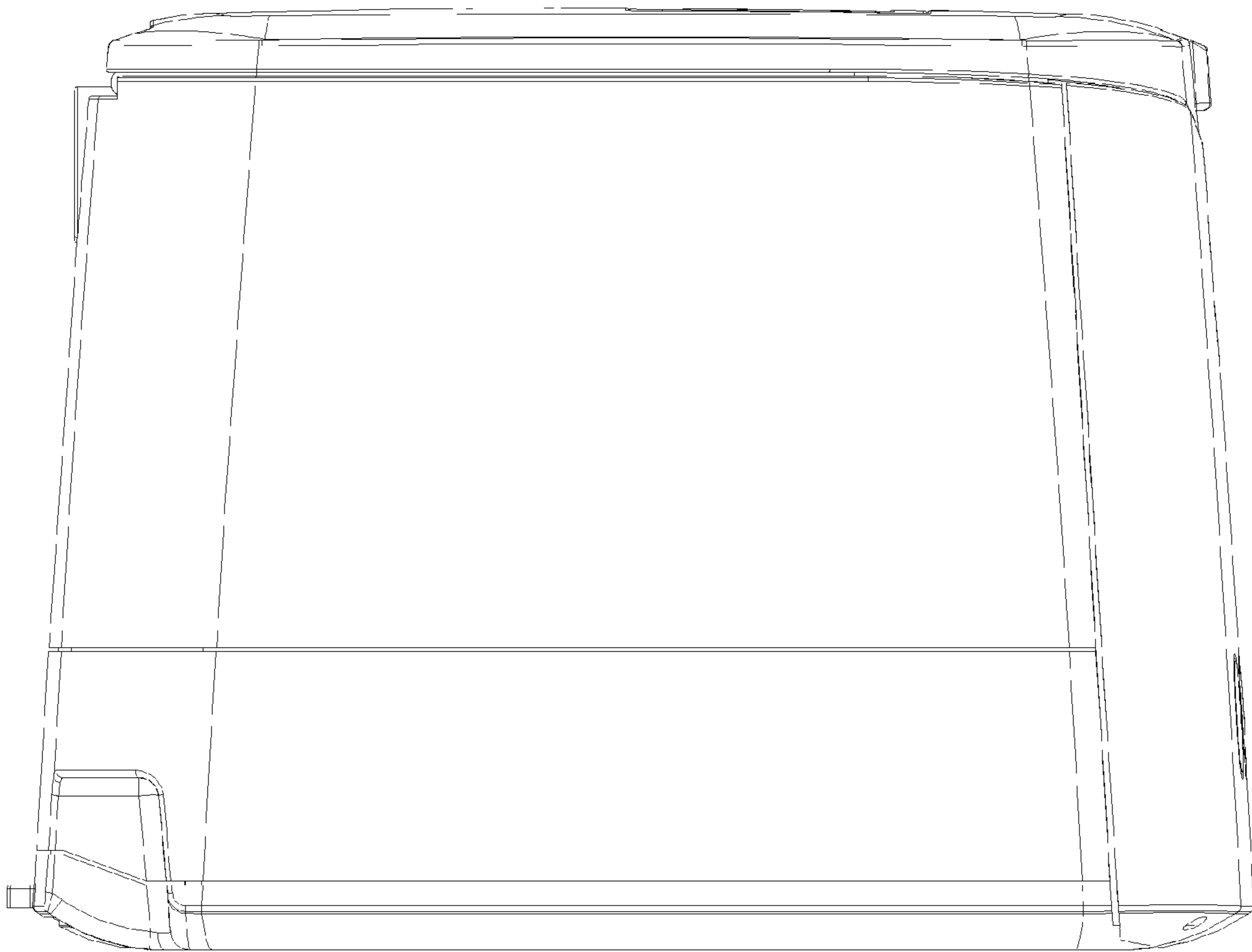


FIG. 5

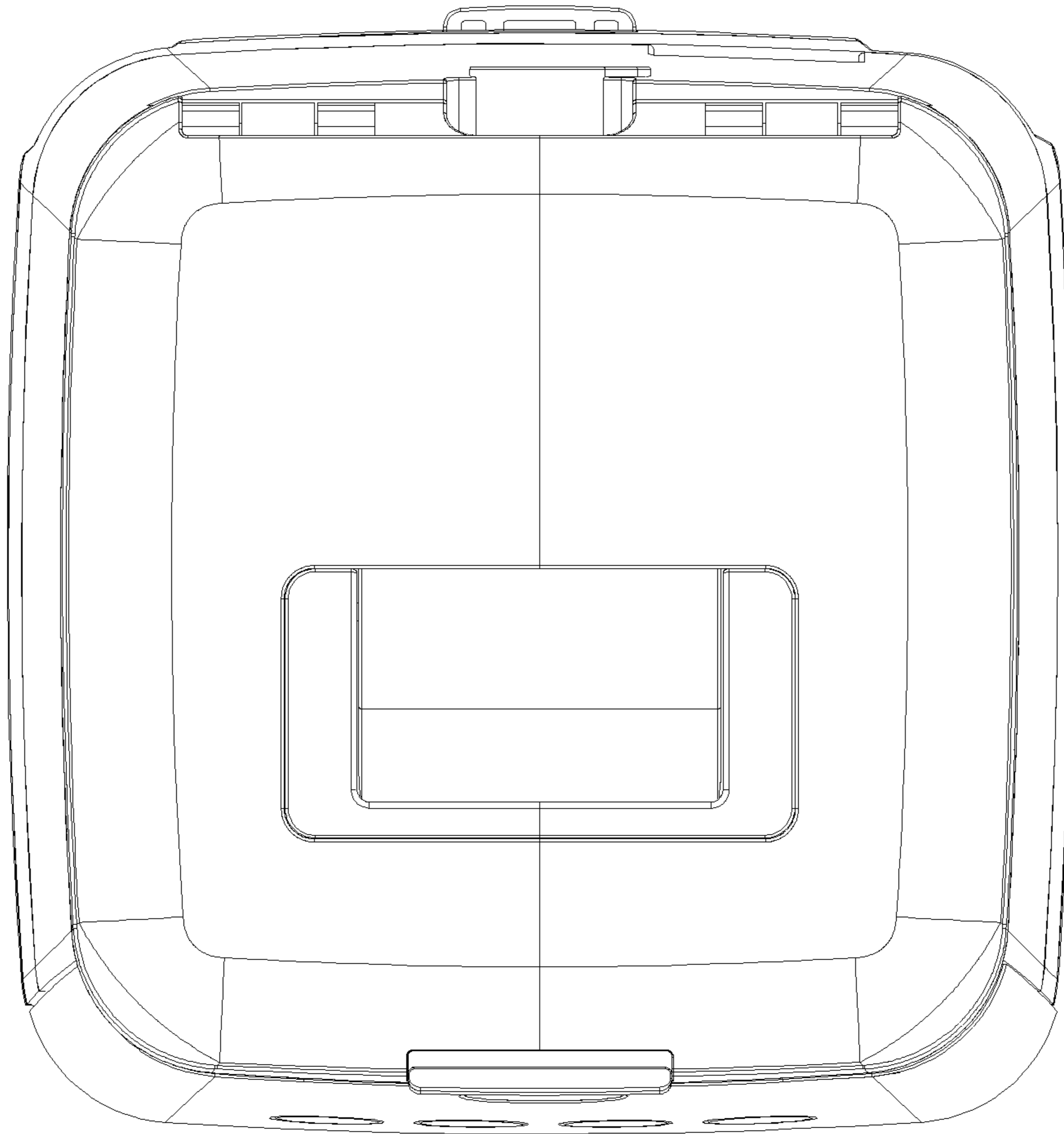


FIG. 6

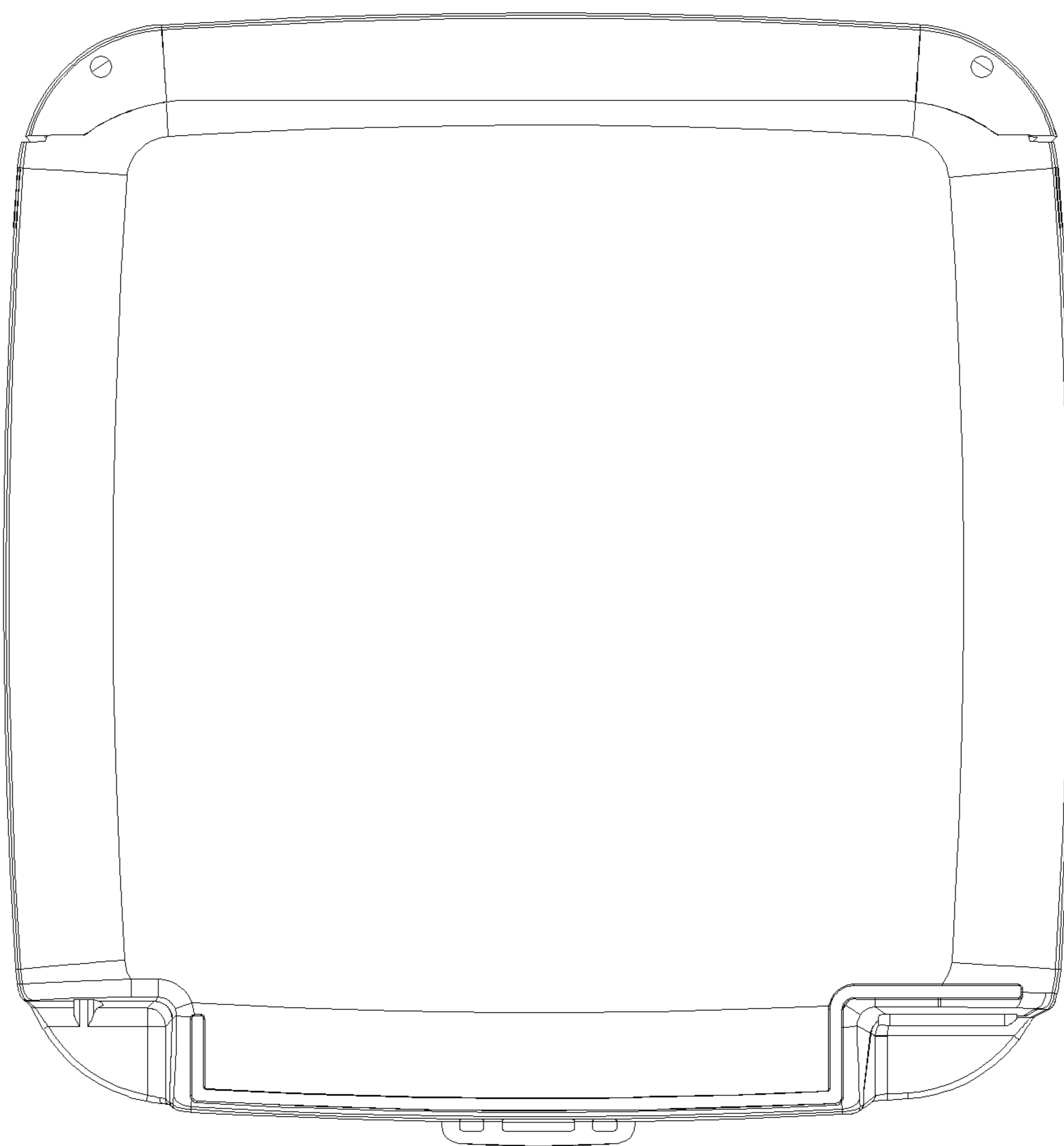


FIG. 7

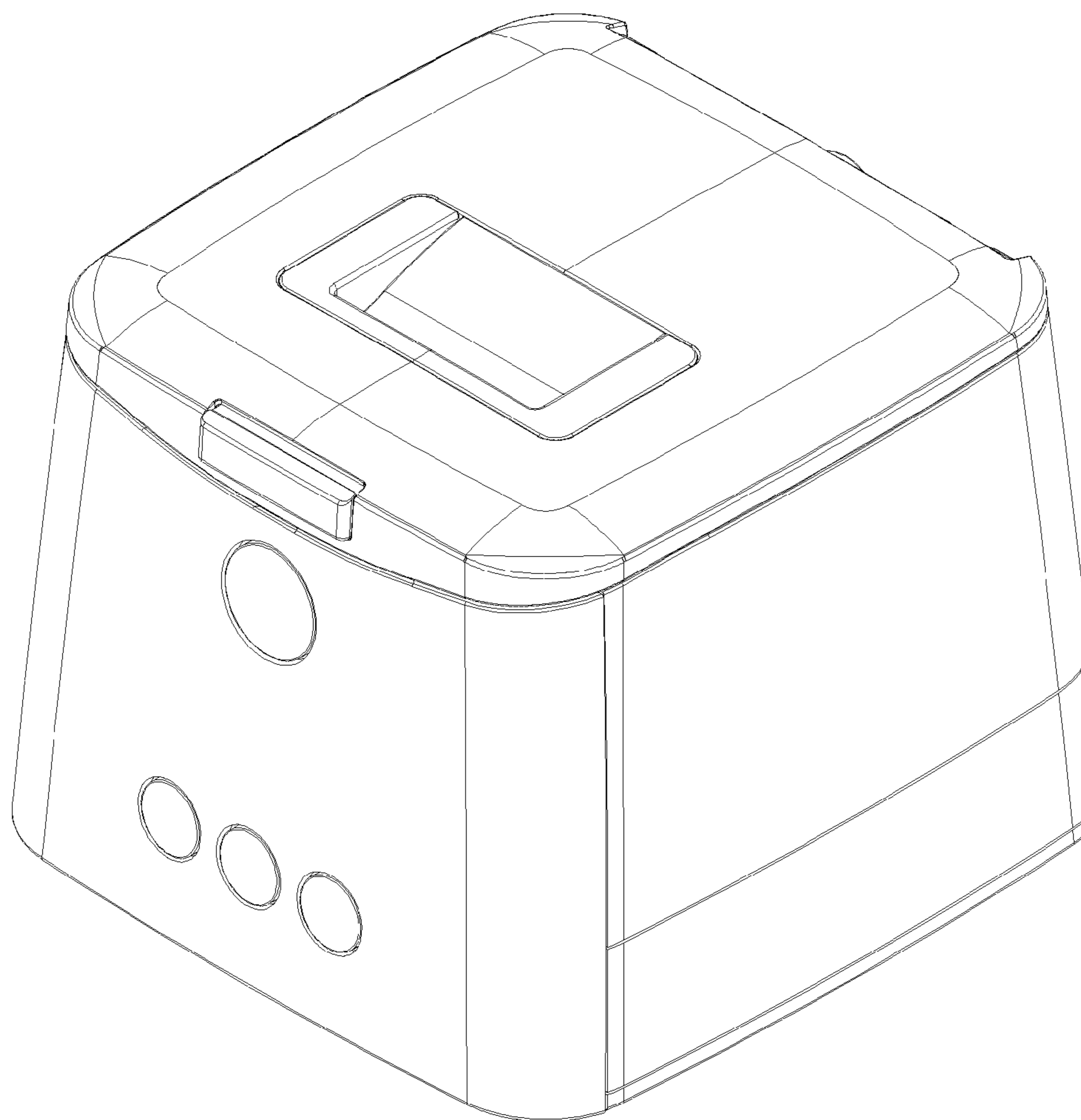


FIG. 8

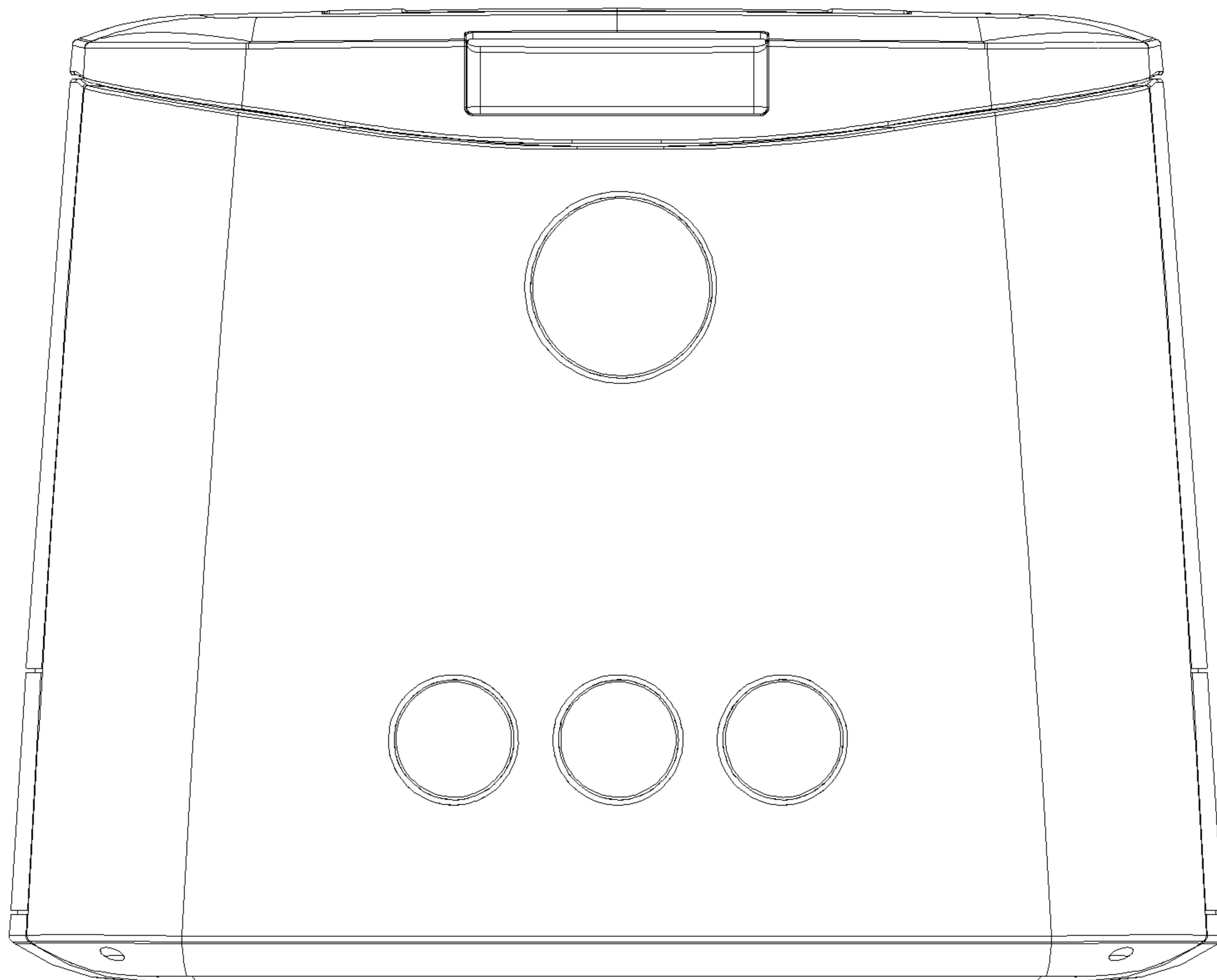


FIG. 9

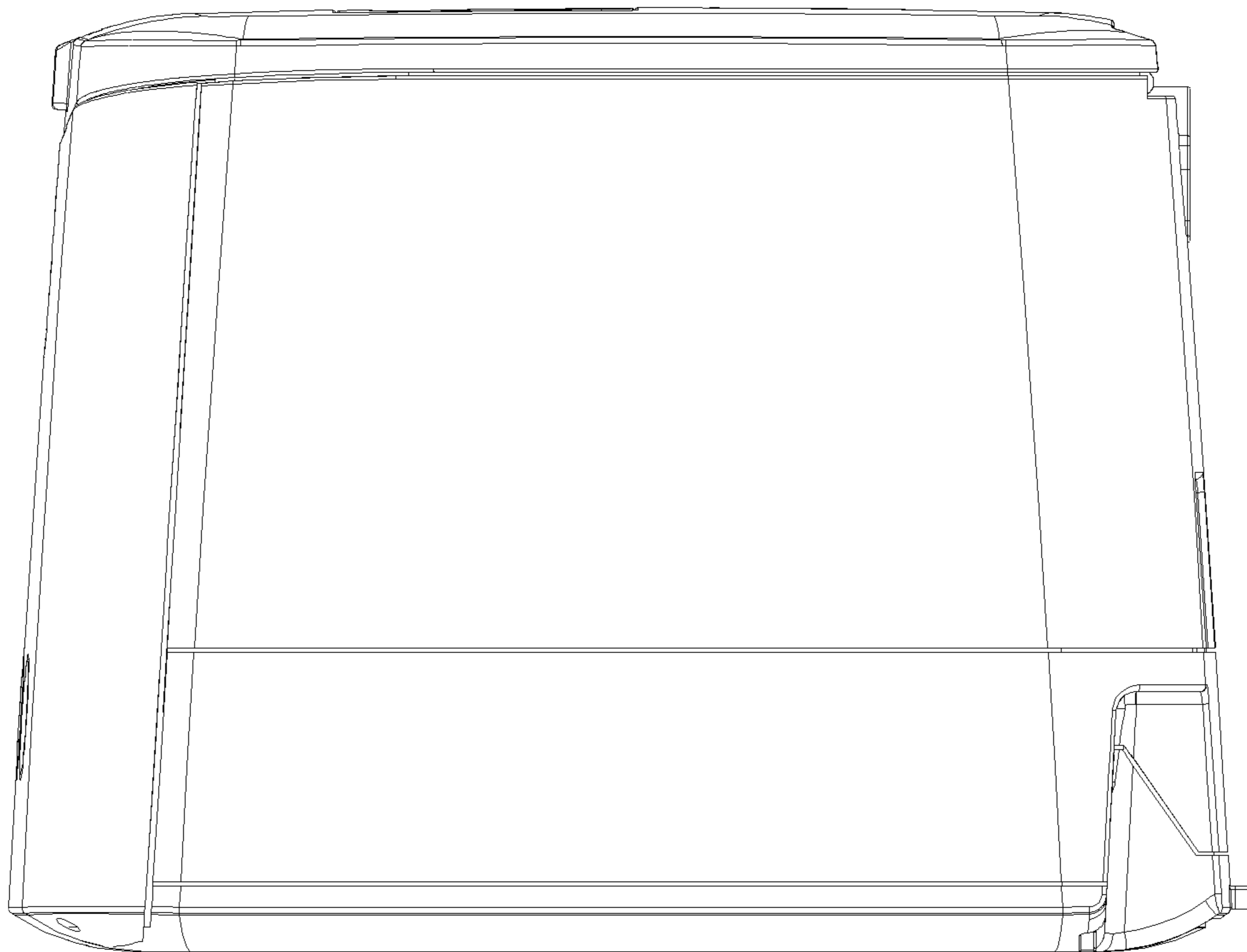


FIG. 10

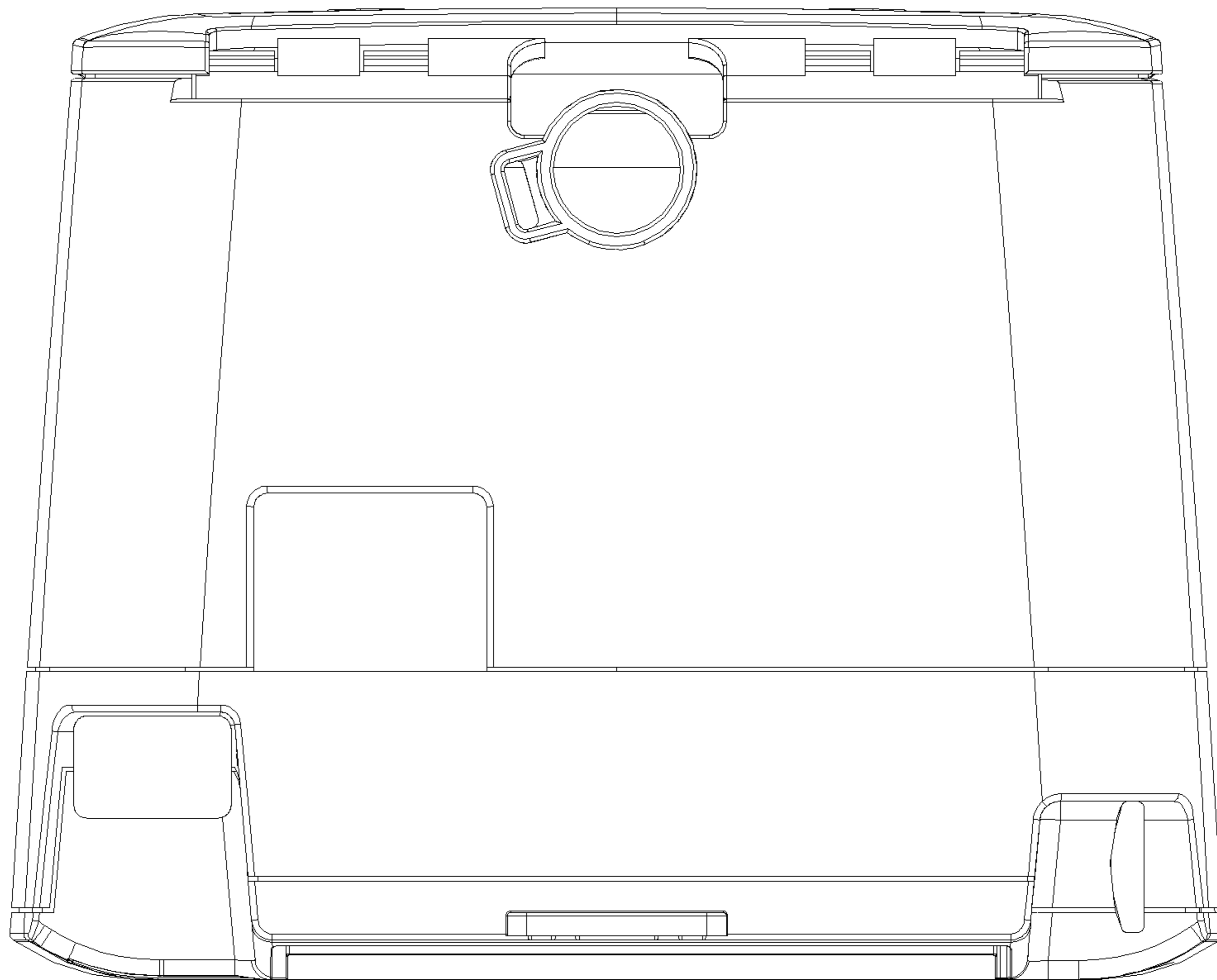


FIG. 11

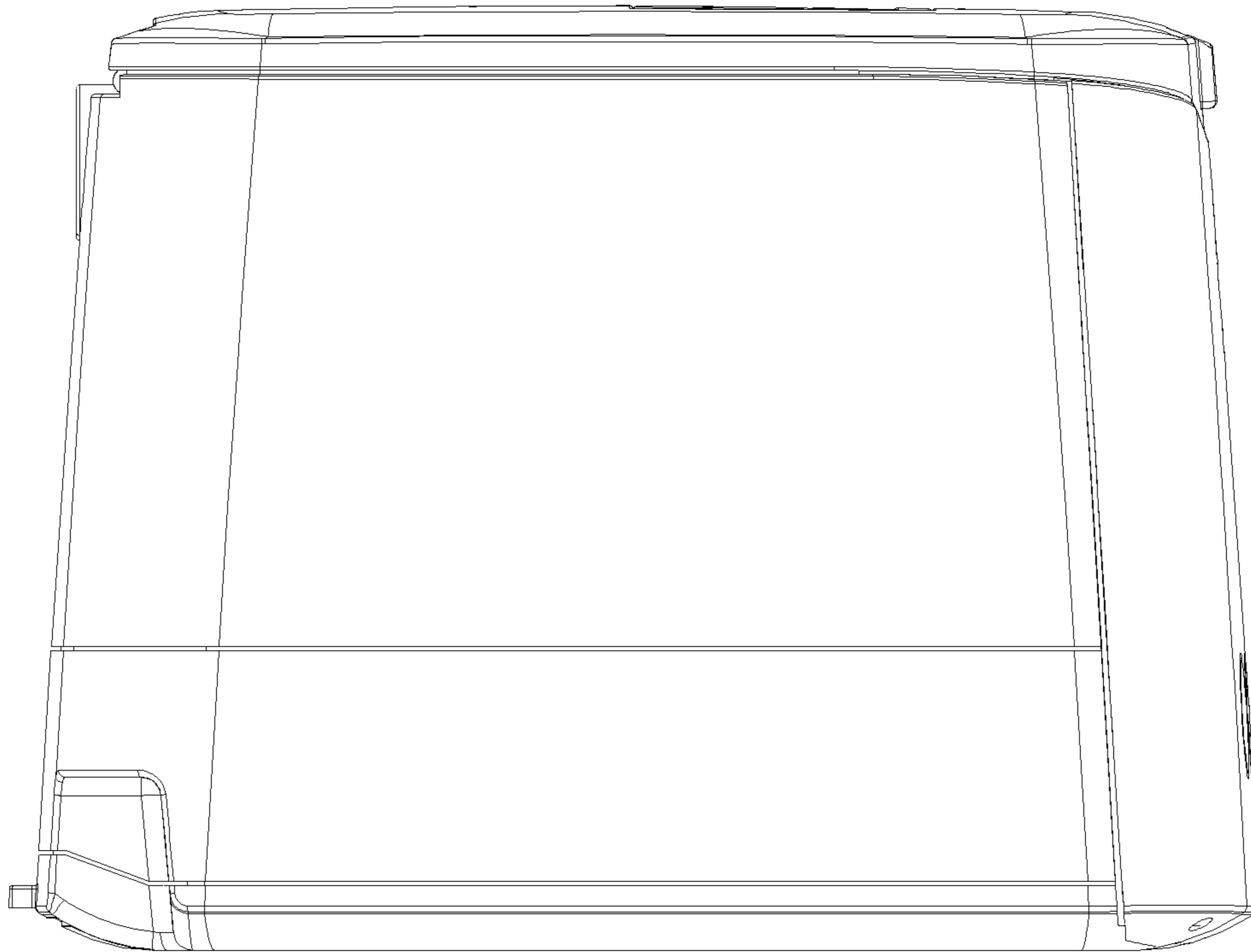


FIG. 12

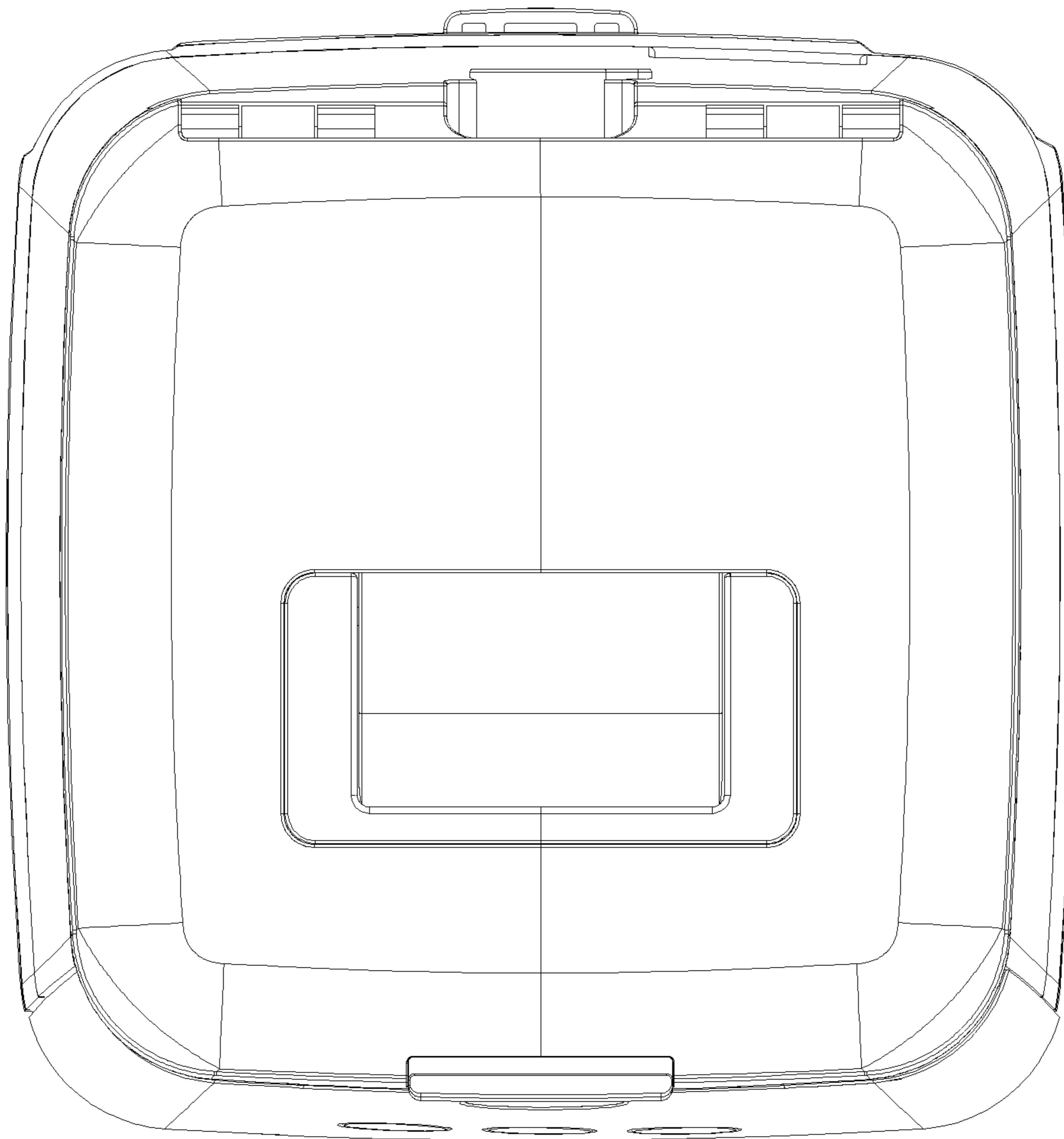


FIG. 13

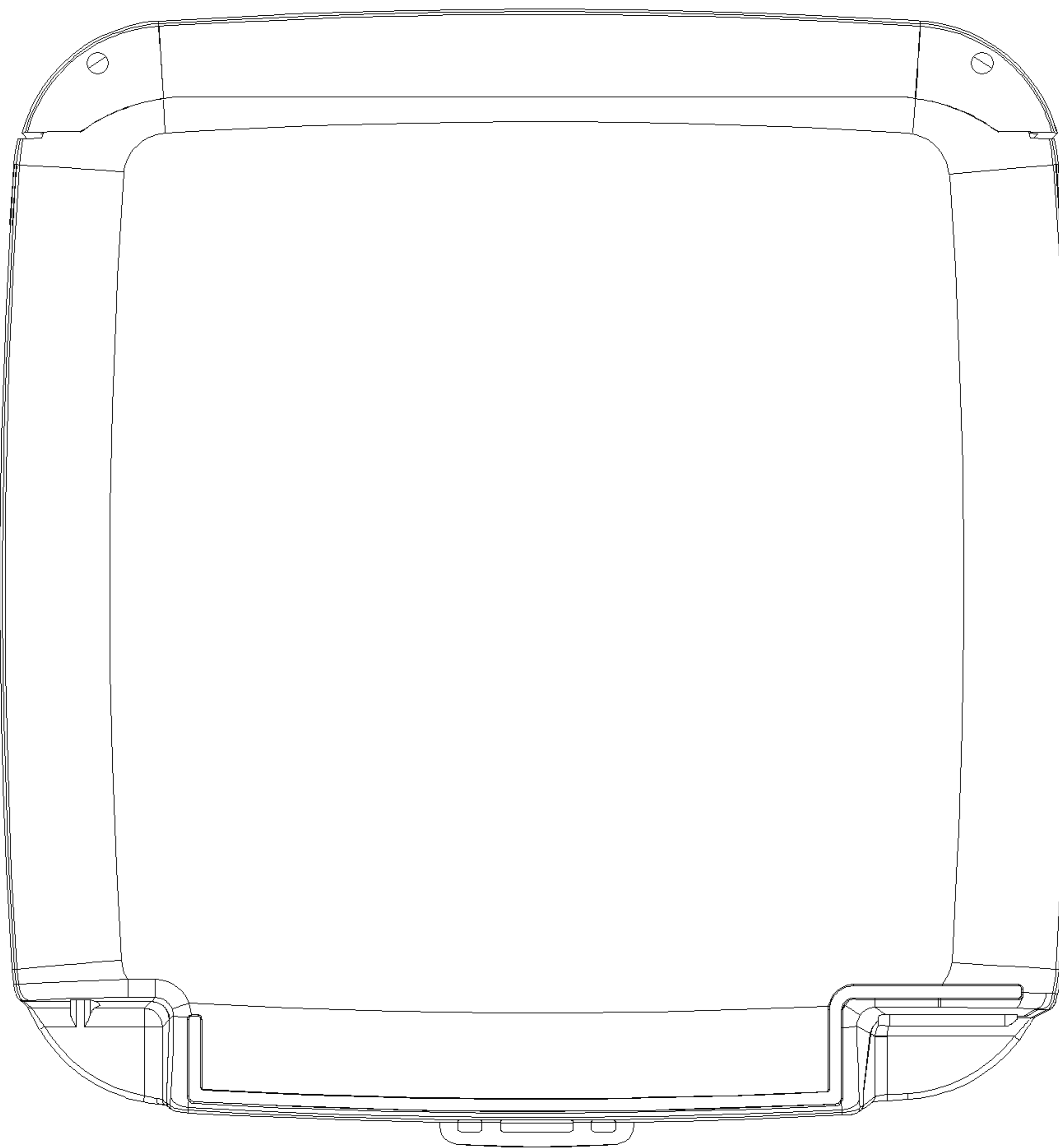


FIG. 14