



US00D734444S

(12) **United States Design Patent**
Hagiwara

(10) **Patent No.:** **US D734,444 S**
(45) **Date of Patent:** **** Jul. 14, 2015**

(54) **CORNER PANEL WITH THE SENSOR FOR AIR CONDITIONERS**

FOREIGN PATENT DOCUMENTS

(71) Applicant: **Mitsubishi Electric Corporation**,
Chiyoda-ku, Tokyo (JP)

JP 1273982 6/2006
JP 1377079 1/2010

(72) Inventor: **Masami Hagiwara**, Chiyoda-ku (JP)

* cited by examiner

(73) Assignee: **Mitsubishi Electric Corporation**,
Tokyo (JP)

Primary Examiner — Brian N Vinson

(74) *Attorney, Agent, or Firm* — Sughrue Mion, PLLC

(**) Term: **14 Years**

(57) **CLAIM**

The ornamental design for a corner panel with the sensor for air conditioners, as shown and described.

(21) Appl. No.: **29/473,953**

(22) Filed: **Nov. 27, 2013**

DESCRIPTION

(30) **Foreign Application Priority Data**

May 29, 2013 (JP) 2013-011758

(51) **LOC (10) Cl.** **23-04**

(52) **U.S. Cl.**
USPC **D23/354**

(58) **Field of Classification Search**
USPC D23/351–354, 385, 355, 357, 361;
312/236; 62/259.1, 259.4, 262–263,
62/304; 454/330–331, 349–350
See application file for complete search history.

FIG. 1 is a front, left side and top perspective view of a corner panel with the sensor for air conditioners, showing my new design;

FIG. 2 is a front elevational view thereof;

FIG. 3 is a rear elevational view thereof;

FIG. 4 is a left side elevational view thereof;

FIG. 5 is a right side elevational view thereof;

FIG. 6 is a top plan view thereof;

FIG. 7 is a bottom plan view thereof;

FIG. 8 is a reference horizontal cross-sectional view thereof; taken along line 8-8 of FIG. 2, with the internal system omitted;

FIG. 9 is a reference perspective view showing a state of use; and,

FIG. 10 is a reference top plan view showing a state of use.

The broken lines in all views are shown for illustrative purposes only and form no part of the claimed design.

The alternate long and short dash line indicates the boundary of the claimed design.

(56) **References Cited**

U.S. PATENT DOCUMENTS

D262,619 S * 1/1982 Antos et al. D23/354
D355,417 S * 2/1995 Buchholz et al. D23/354
D539,405 S * 3/2007 Jung et al. D23/351
D539,883 S * 4/2007 Lee et al. D23/351
D553,722 S * 10/2007 Seki et al. D23/351

1 Claim, 8 Drawing Sheets

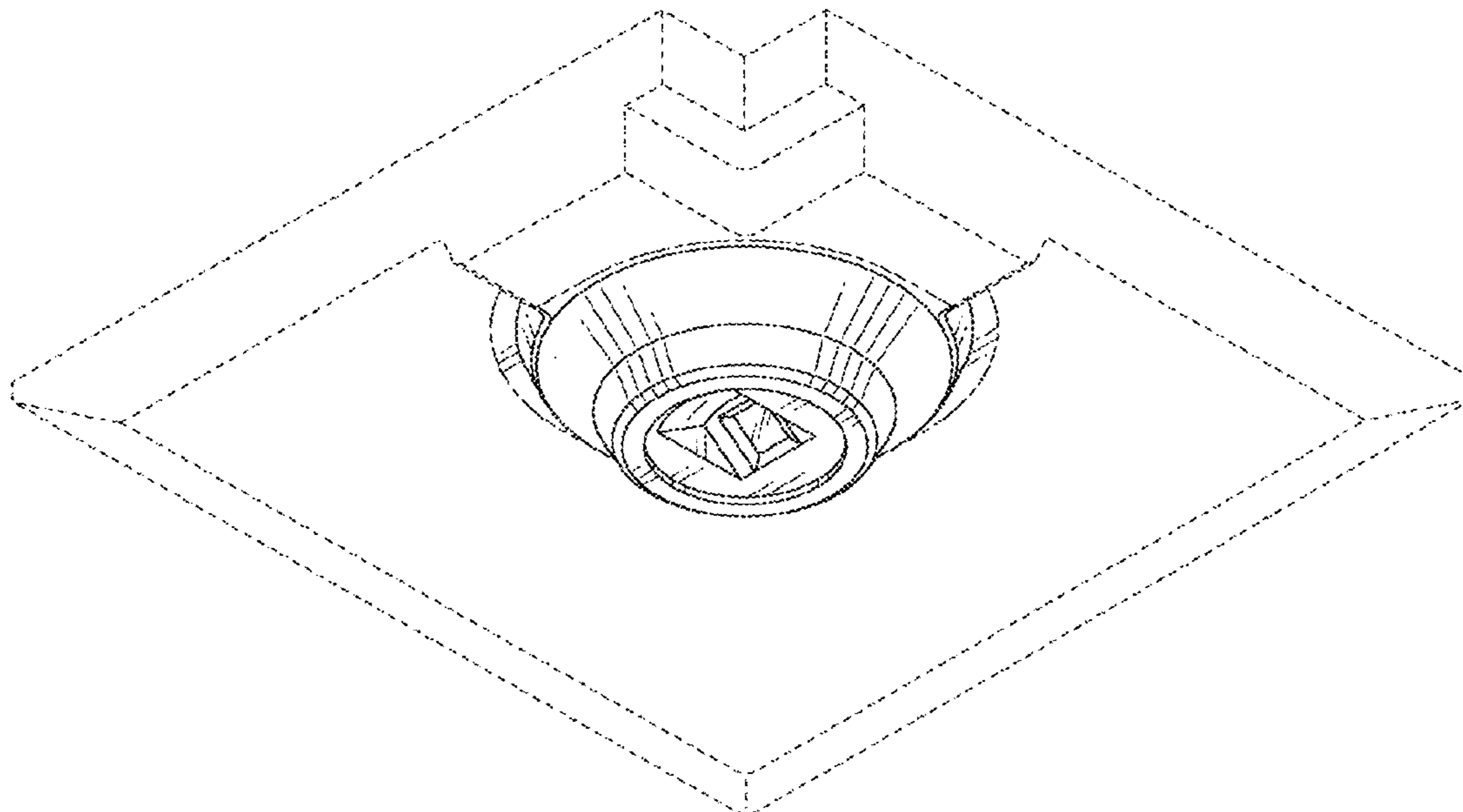


Fig. 1

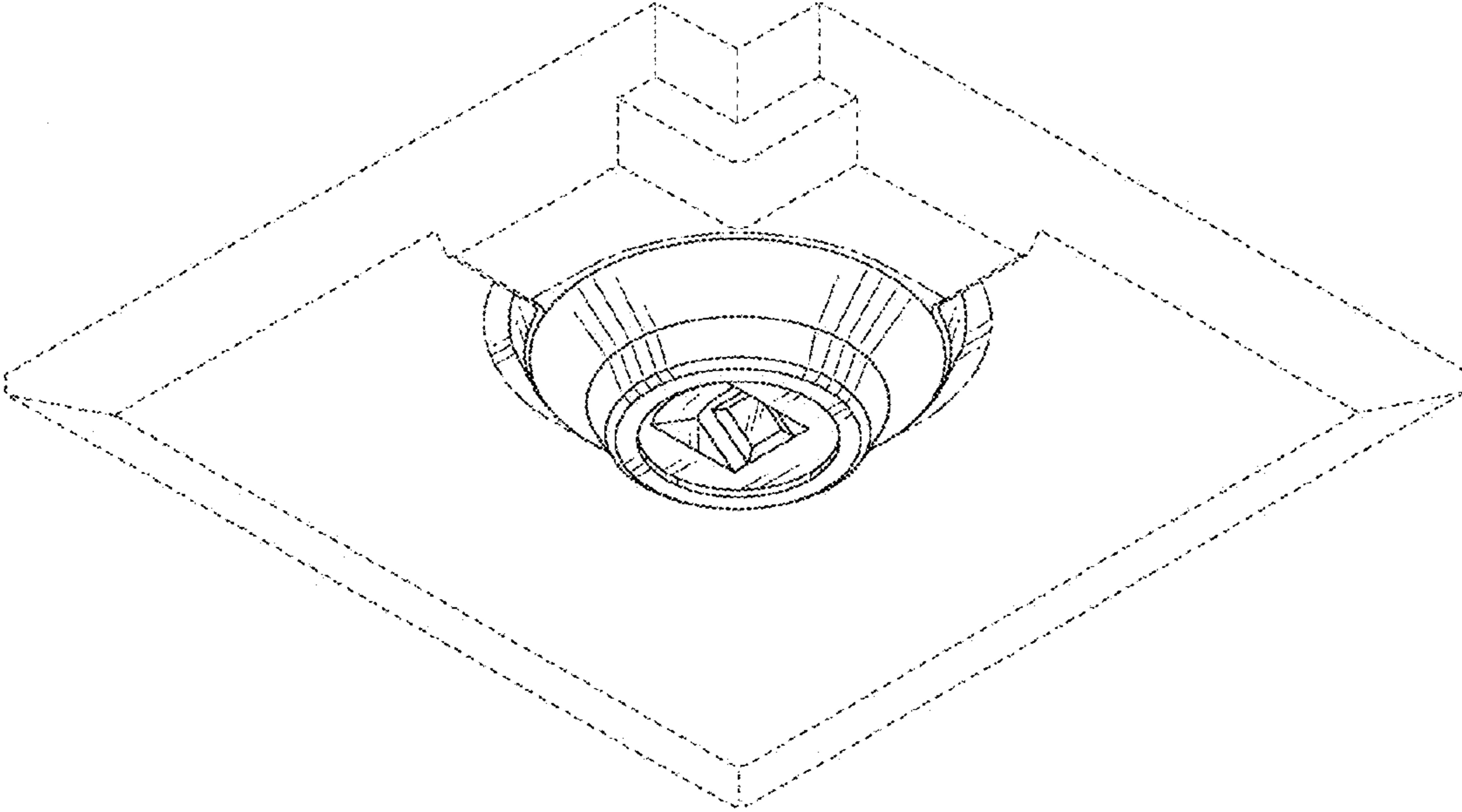


Fig. 2

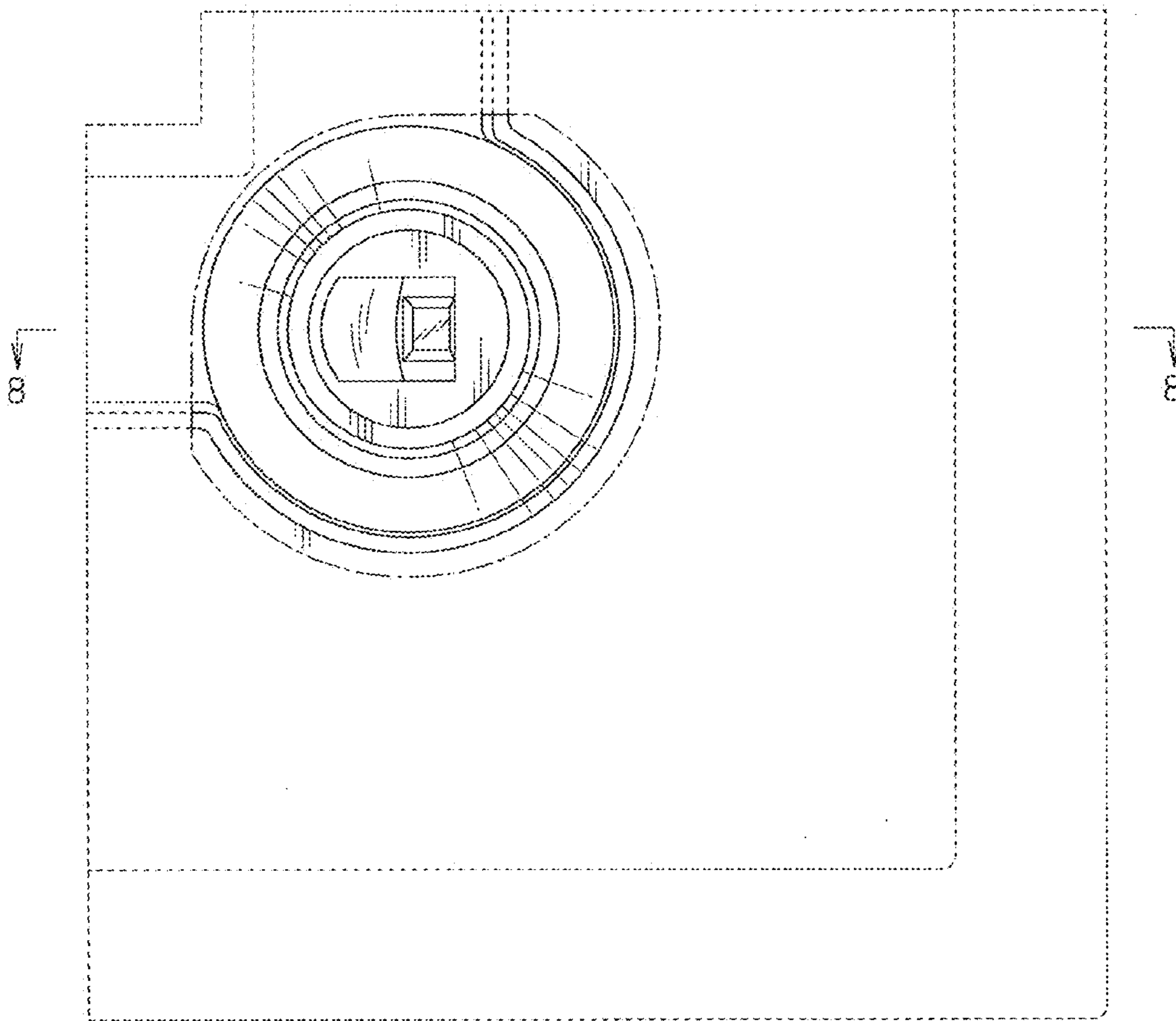


Fig. 3

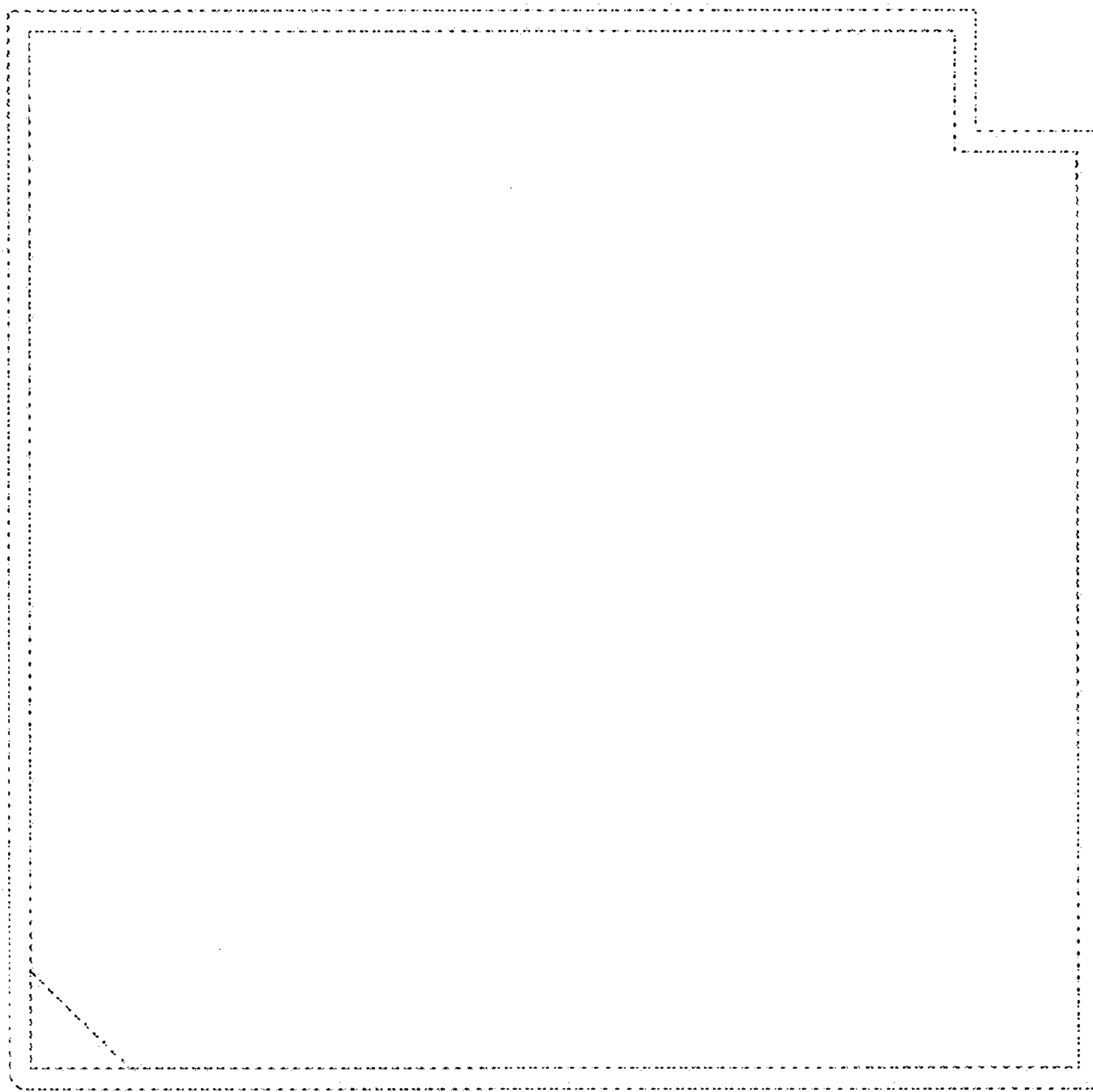


Fig. 4

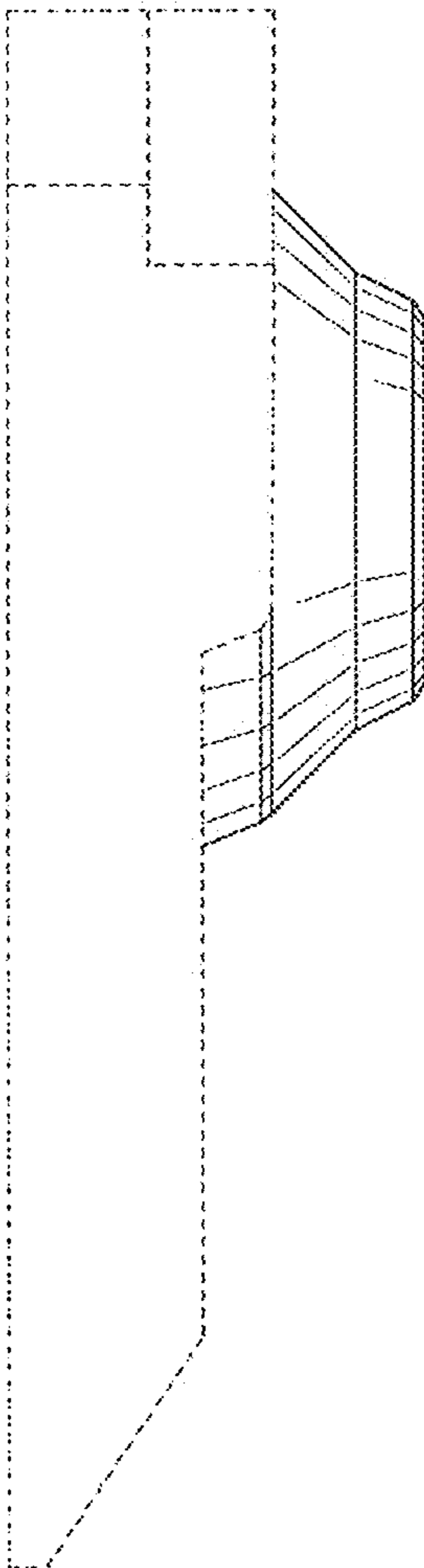


Fig. 5

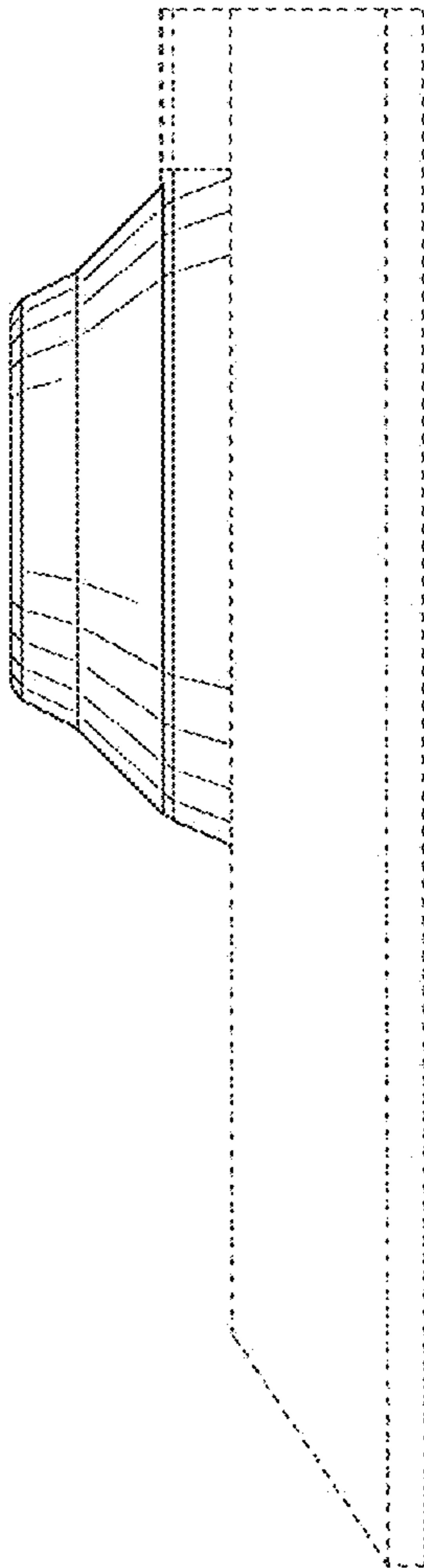


Fig. 6

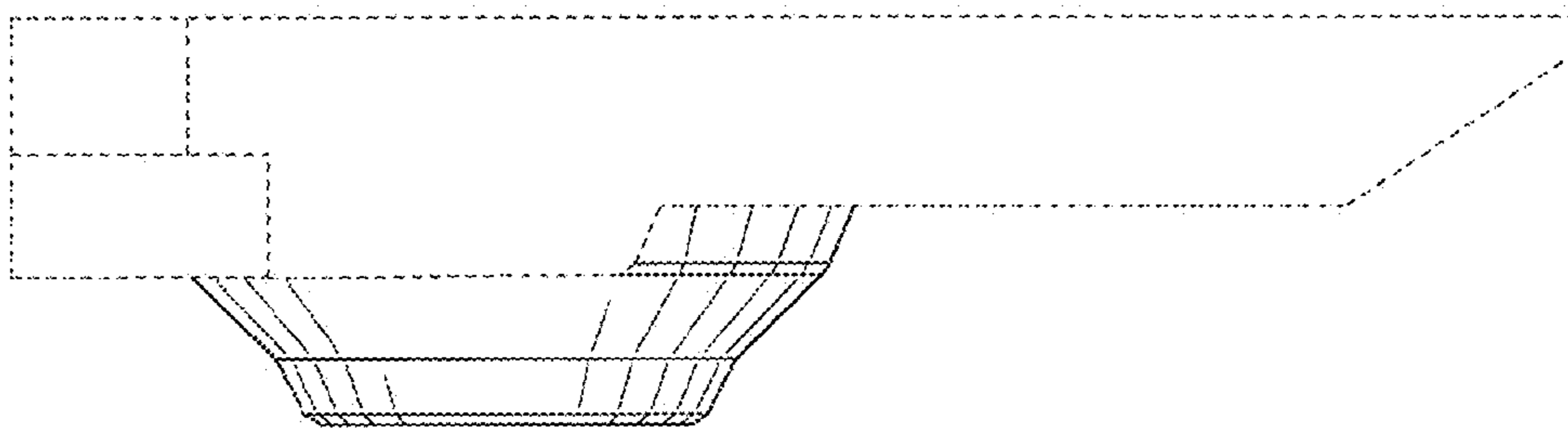


Fig. 7

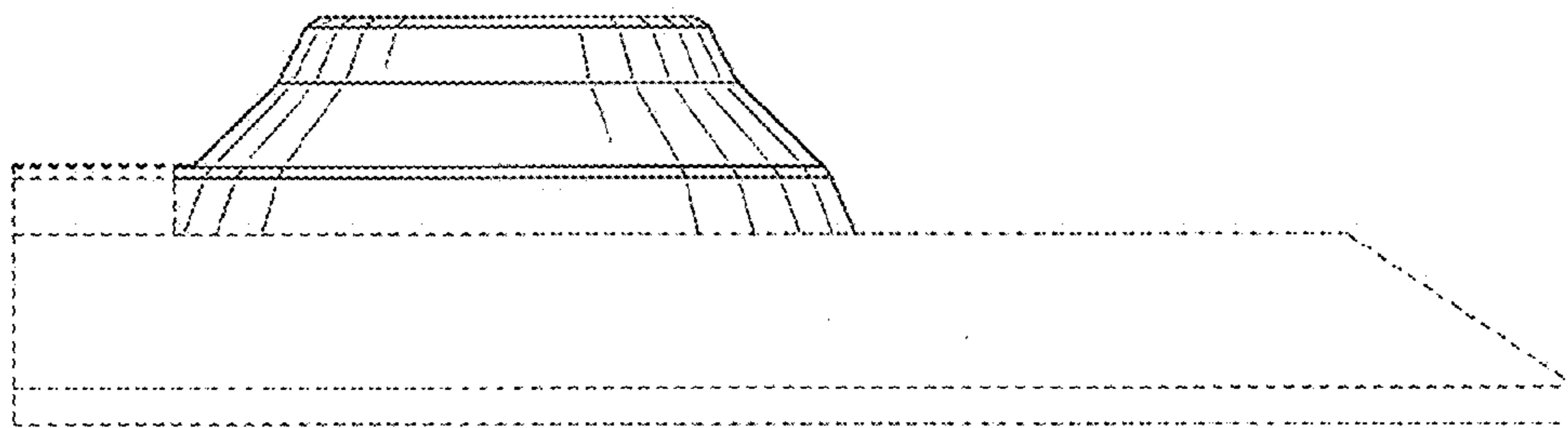
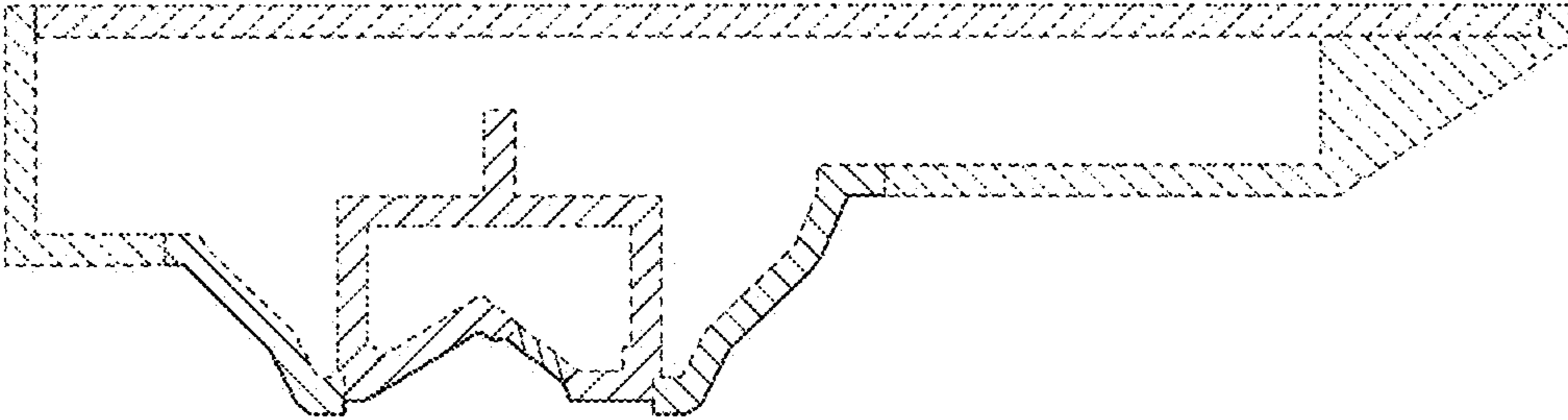


Fig. 8



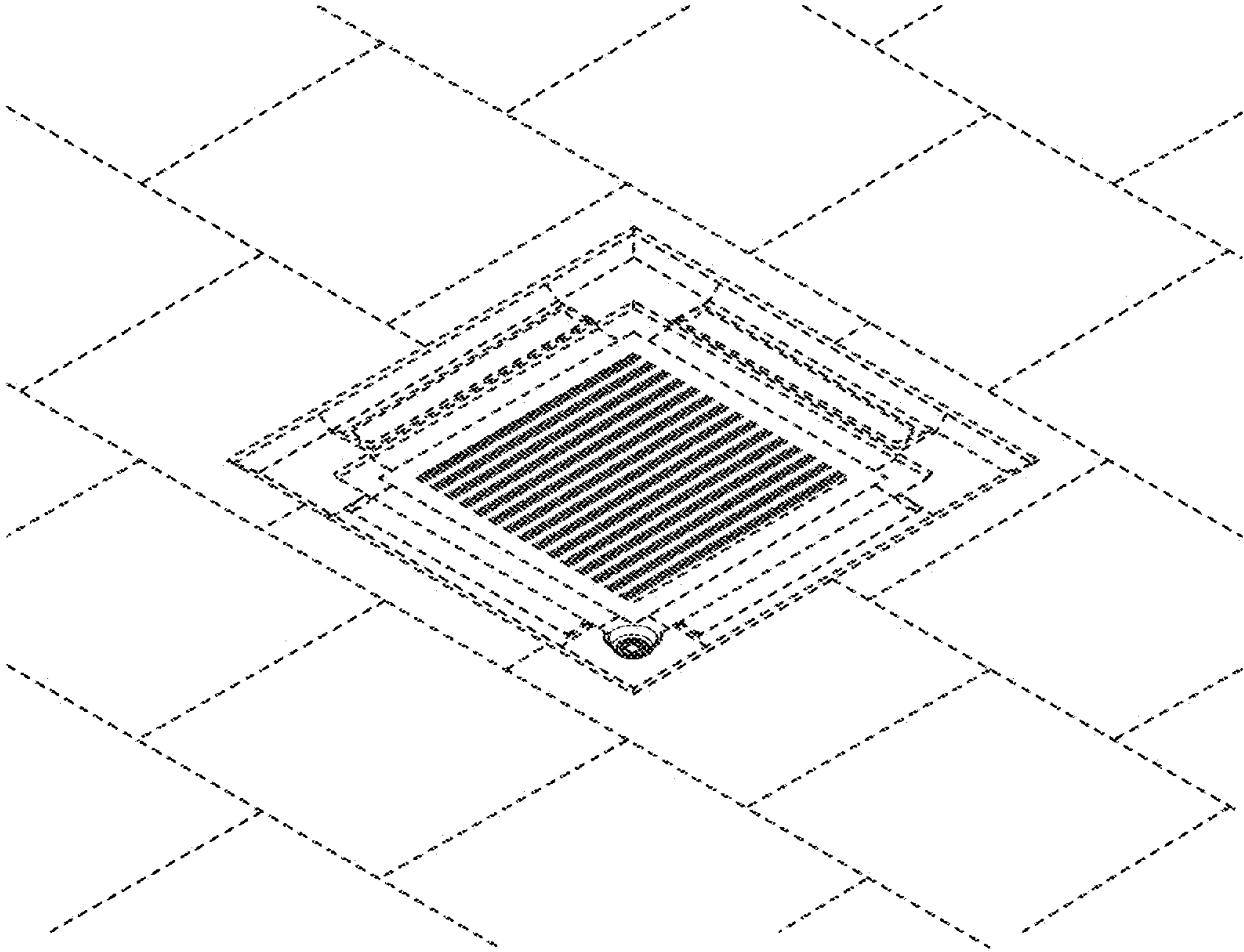


FIG. 9

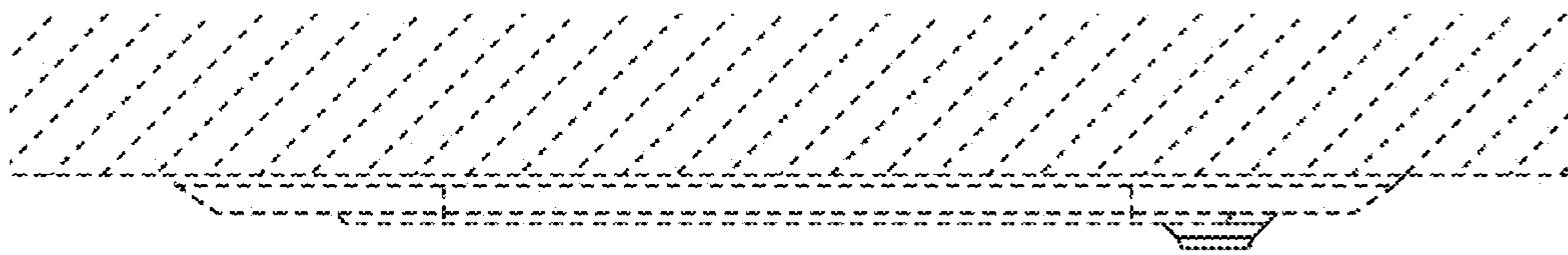


FIG. 10