



US00D734443S

(12) **United States Design Patent**
Gates

(10) **Patent No.:** **US D734,443 S**

(45) **Date of Patent:** **** Jul. 14, 2015**

(54) **TOILET SEAT AND BASE COVER**
(71) Applicant: **Sasha Gates**, San Diego, CA (US)
(72) Inventor: **Sasha Gates**, San Diego, CA (US)

(**) Term: **14 Years**

(21) Appl. No.: **29/511,343**

(22) Filed: **Dec. 10, 2014**

(51) **LOC (10) Cl.** **23-02**

(52) **U.S. Cl.**
USPC **D23/311**

(58) **Field of Classification Search**
USPC D23/303, 311
CPC A47K 13/00; A47K 13/14; A47K 13/16;
A47K 13/06

See application file for complete search history.

(56) **References Cited**

U.S. PATENT DOCUMENTS

669,215	A *	3/1901	Grant et al.	4/245.5
1,070,575	A *	8/1913	Batxon et al.	4/244.3
1,221,661	A	4/1917	Bloch	
2,000,566	A *	5/1935	Lichtenstein	4/245.9
4,875,242	A *	10/1989	Albrecht et al.	4/245.4
4,935,969	A *	6/1990	Farnsworth	4/484
5,067,185	A	11/1991	Kohler	
6,813,784	B1 *	11/2004	Thompson	4/245.1
6,851,131	B1	2/2005	Adams	

7,216,376	B2 *	5/2007	Samuels	4/484
D638,921	S	5/2011	Bullington	
D653,319	S *	1/2012	Eaddy	D23/311
D657,853	S	4/2012	Bennett	
D659,813	S *	5/2012	Diaz	D23/311
2002/0184701	A1	12/2002	Johnson	
2010/0319114	A1	12/2010	Andre	
2011/0271433	A1	11/2011	Aspiro	
2012/0246811	A1	10/2012	Sayre	

* cited by examiner

Primary Examiner — Robert Delehanty

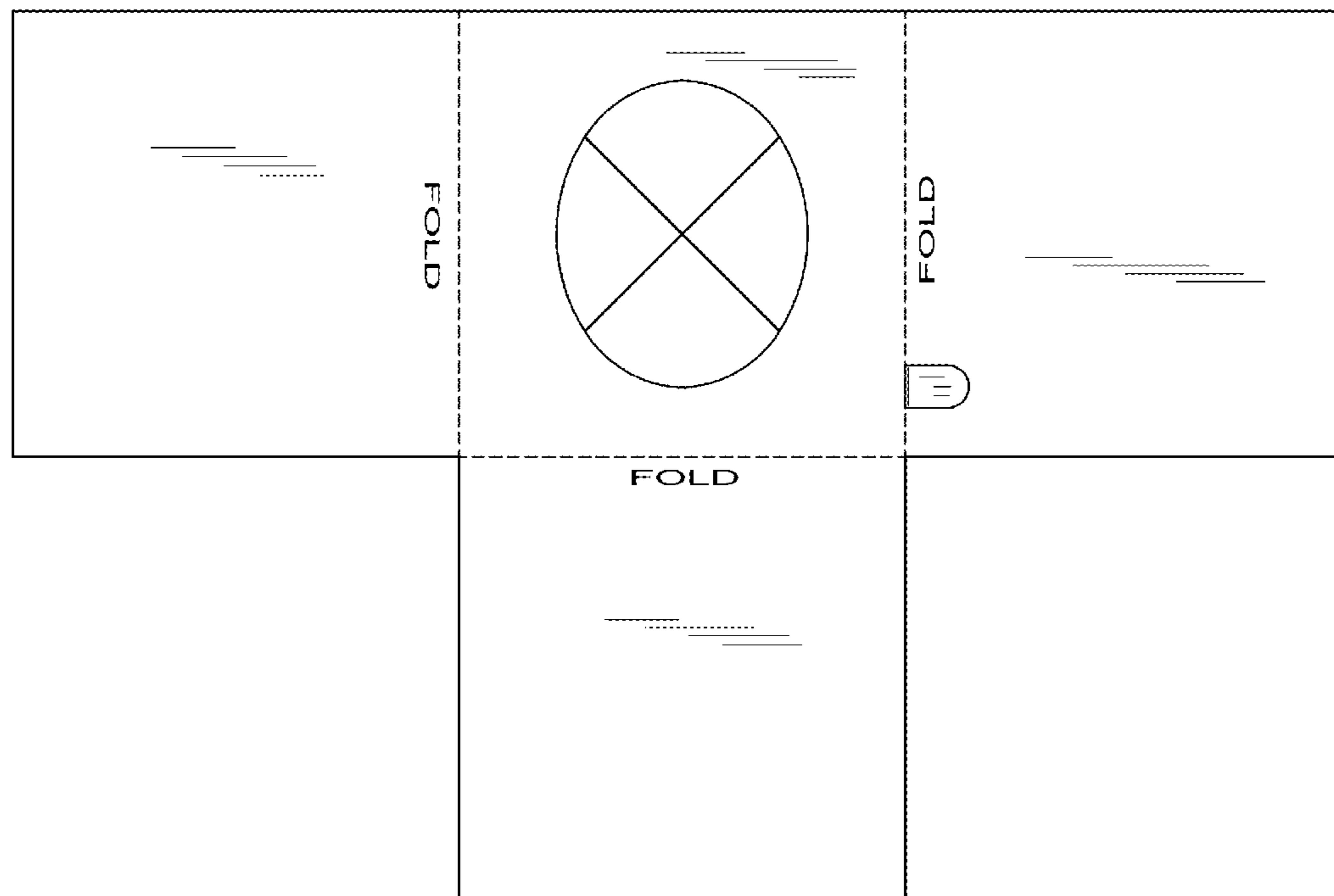
(57) **CLAIM**

I claim the ornamental design for the toilet seat and base cover, as shown and described.

DESCRIPTION

FIG. 1 is a top view of the toilet seat and base cover.
FIG. 2 is a bottom view of the claimed design.
FIG. 3 is a left side view of the claimed design.
FIG. 4 is a rear view of the claimed design.
FIG. 5 is a front view of the claimed design; and,
FIG. 6 is a perspective view of the claimed design in use. The toilet seat, toilet base, and toilet tank depicted in broken lines in FIG. 6 is environmental matter, and forms no part of the claimed design.

1 Claim, 4 Drawing Sheets



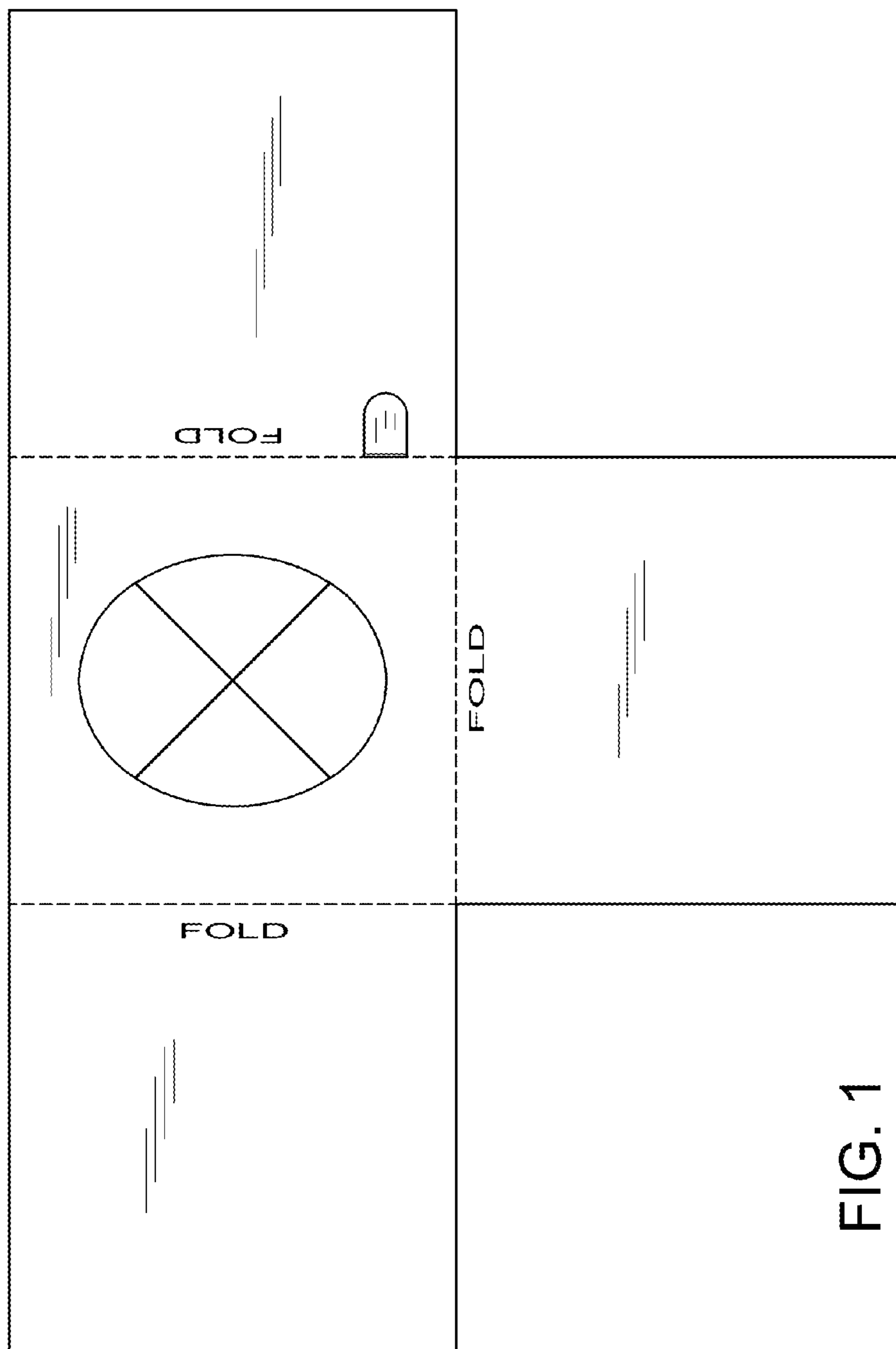


FIG. 1

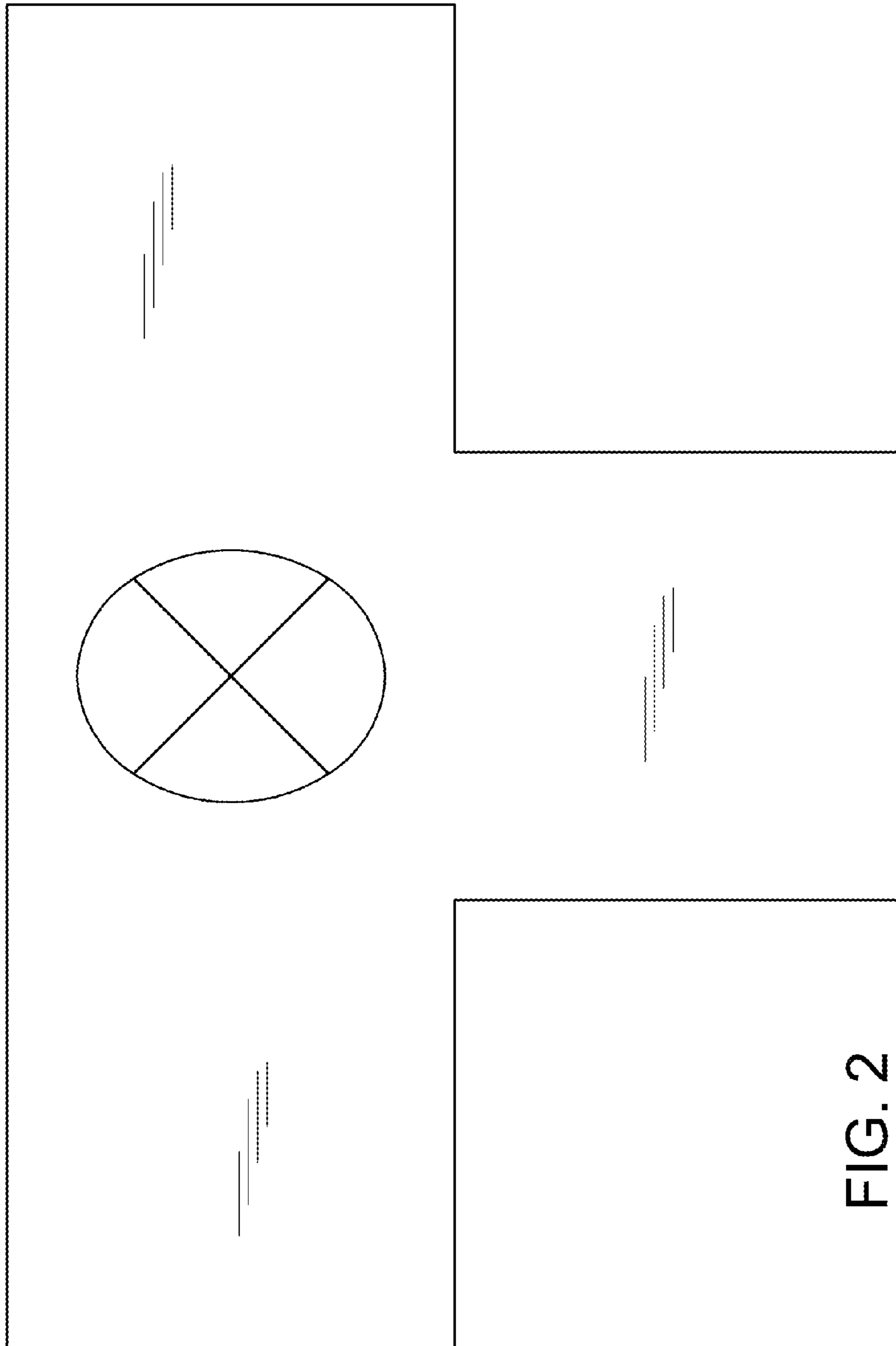


FIG. 2

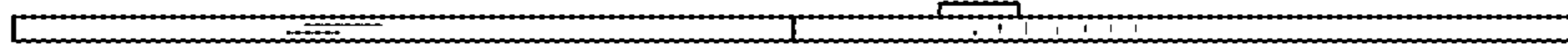


FIG. 3



FIG. 4



FIG. 5

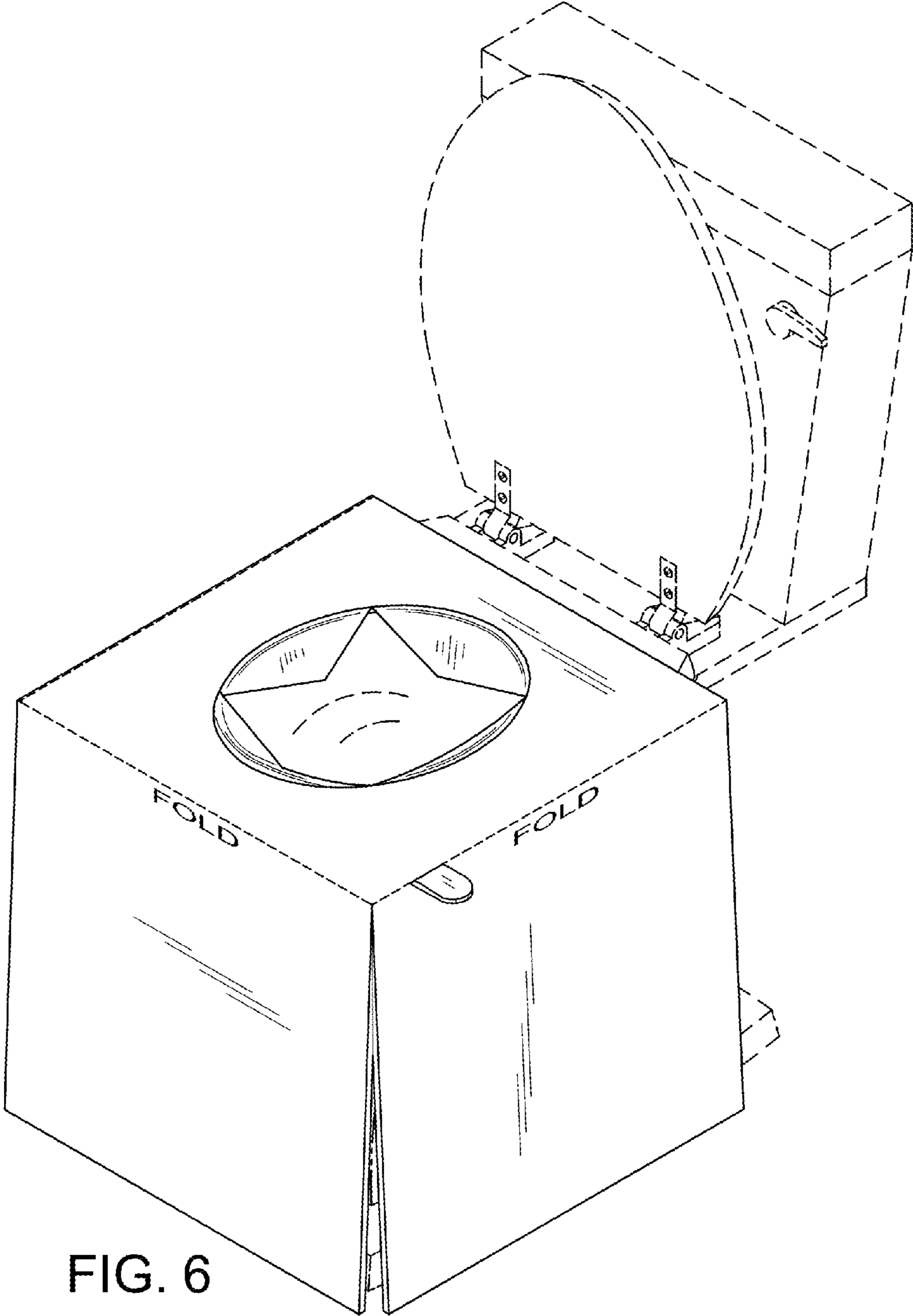


FIG. 6